

FUJIOH

Range Hood INSTALLATION MANUAL

MODEL: FDR-4200
FDR-4200D



TABLE OF CONTENTS

Safety Instructions	2
Name of Parts	4
Size & Dimensions	5
Range Hood Location	5
Installation	6
1. Preparation	6
2. Range Hood Mounting	9
3. Connecting Power Supply Wires	10
4. Attaching Duct Cover	11
5. Final Assembly and Check	12
Explanation to the End User	13
Circuit Diagram	13

READ AND SAVE THESE INSTRUCTIONS.

Keep this manual in a convenient place for future reference.

FUJI INDUSTRIAL CO., LTD.


SAFETY INSTRUCTIONS


Before installation and operation, read these instructions carefully and use this product only in the manner described by the manufacturer in the operation manual.

The instructions shown below are used to alert you to potential personal injury and property damage hazards.

There are three hazard classifications based on potentially dangerous situations.

Obey all safety instructions that show these symbols to avoid possible injury, death and property damage.

 **WARNING:** WARNING indicates a potentially hazardous situation which, if not avoided, could result in death or serious injury.

 **CAUTION:** CAUTION indicates a potentially hazardous situation which, if not avoided, may result in minor or moderate injury.

CAUTION: CAUTION used without the safety alert symbol indicates a potentially hazardous situation which, if not avoided, may result in property damage.

WARNING

1. TO REDUCE THE RISK OF FIRE, ELECTRIC SHOCK, OR INJURY TO PERSONS, OBSERVE THE FOLLOWING:



- a) Use this unit only in the manner intended by the manufacturer. If you have questions, contact the manufacturer.
- b) Before servicing or cleaning the unit, switch power off at service panel and lock the service disconnecting means to prevent power from being switched on accidentally. When the service disconnecting means cannot be locked, securely fasten a prominent warning device, such as a tag, to the service panel.



2. To reduce the risk of fire or electric shock, do not use this range hood with any solid-state speed control device.

3. TO REDUCE THE RISK OF FIRE, ELECTRIC SHOCK, OR INJURY TO PERSONS, OBSERVE THE FOLLOWING:



- a) Installation work and electrical wiring must be done by a qualified person(s) in accordance with all applicable codes and standards, including fire-rated construction.
- b) Sufficient air is needed for proper combustion and exhausting of gases through the flue (chimney) of fuel burning equipment to prevent back drafting. Follow the heating equipment manufacturer's guidelines and safety standards such as those published by the National Fire Protection Association (NFPA), and The American Society for Heating, Refrigeration and Air Conditioning Engineers (ASHRAE), and the local code authorities.
- c) When cutting or drilling into wall or ceiling, do not damage electrical wiring and other hidden utilities.
- d) Ducted fan must always be vented to outdoors.



4. TO REDUCE THE RISK OF FIRE, USE ONLY METAL DUCTWORK.



5. This unit must be grounded.










6. Install this range hood to the wall. Check that the hood is correctly installed, since incorrect installation could result in the range hood becoming detached and falling off.



7. Connect only to an AC120 Volt power source or the range hood could result in fire, electric shock, and damage.

CAUTION

	1. For general ventilating use only. Do not use to exhaust hazardous or explosive material and vapors.
	2. To reduce the risk of fire and to properly exhaust air, be sure to duct air outside. Do not vent exhaust air into spaces within walls, ceilings or into attics, crawl spaces or garages.
	3. Read specification label on this product for further information and requirements.
	4. Use only for the purpose of kitchen ventilation.
	5. Do not install this range hood in the bathroom or in other wet rooms since electrical shock and damage may result.
	6. Fasten the filter and other parts securely. Incorrect attachment may result in personal injury or property damage.
	7. Keep your hands and other objects away from the fan while it is in motion. If not, personal injury or damage may result.

NOTE: *The safety instructions are explained with the following pictographic symbols.*

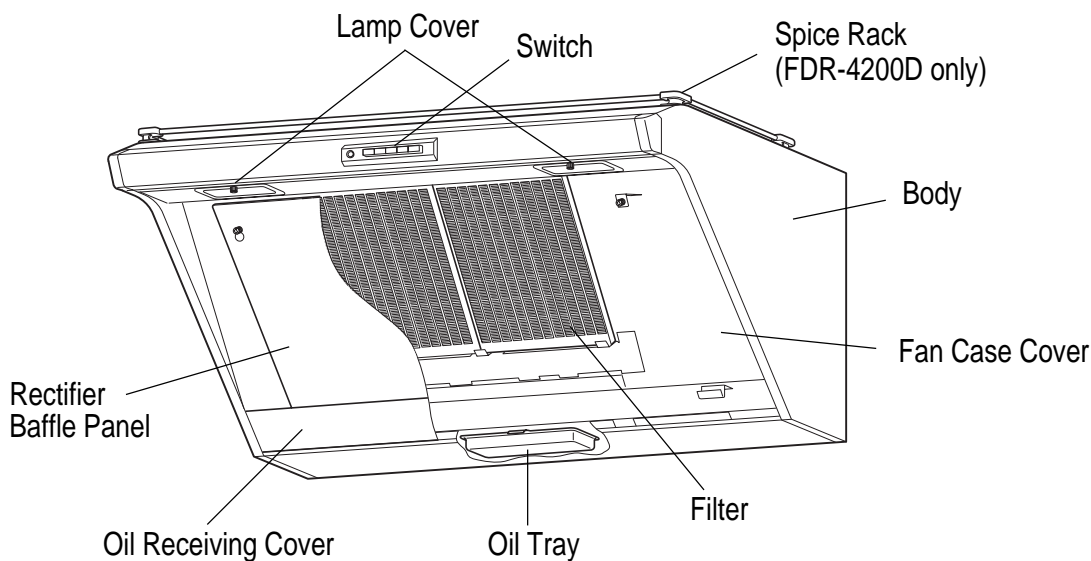


⊘ : means prohibition. It indicates actions, if any, that mustn't be done.



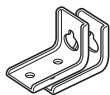
● : means forcible execution. It indicates actions, if any, that must be done.

NAME OF PARTS



Accessories

- **Hanger**
[2 plates]



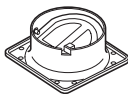
For mounting the hood body.

- **Washer head wood screw**
[4 pcs.]



For mounting the hood body to the side wall.

- **Duct joint**
[1 pc.]



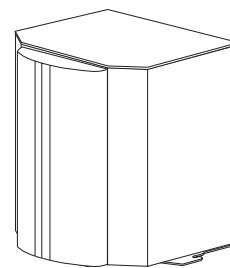
For connecting the hood body with the duct for ventilation.

- **Soft tape - black**
[1 pc.]



For sealing a gap between the duct joint and the duct.

- **Duct cover**
[1 pc.]



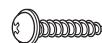
For covering and protecting the duct joint portion. (FDR-4200D only)

- **FT screw** [4 pcs.]



For fixing the duct cover. (FDR-4200D only)

- **Wood screw** [2 pcs.]

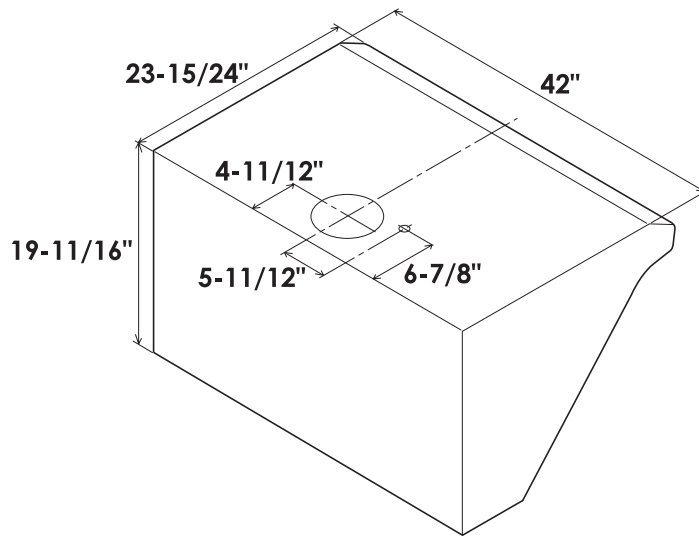


- **Washer** [2 pcs.]



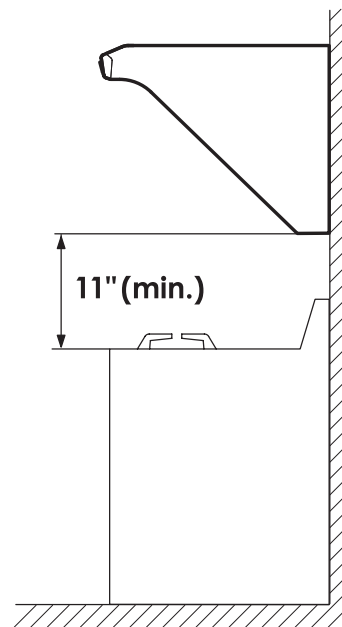
For fixing the duct cover to the side wall. (FDR-4200D only)

SIZE & DIMENSIONS



RANGE HOOD LOCATION

- 1 The range hood must be installed just above the cooktop.
- 2 The minimum distance from the cooking surface to the bottom of the range hood must be 11".
- 3 The total weight of the FDR series range hoods are:
 - FDR-4200 ----- 28 kg
 - FDR-4200D ----- 35 kg
- 4 Power requirements are:
 - AC120 V, 60 Hz, 1.9 Amp



- ⚠ CAUTION:**
- Check that the hood is correctly installed, since incorrect installation could result in the detachment of the range hood and the unit fall off.
 - To protect hands from injury, wear working gloves when installing the range hood.

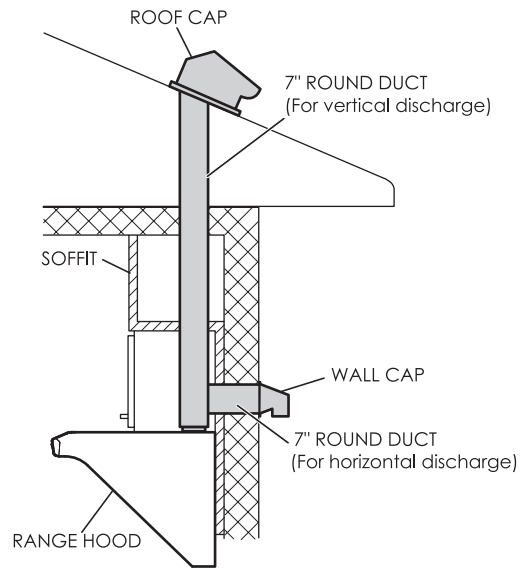
INSTALLATION

1. PREPARATION

- ⚠ WARNING:**
- If the range hood is not installed properly, it could become detached and fall off.
 - Ensure that the metal duct does not touch other metal housing materials, otherwise fire or electric shock could result.

1 According to the conditions where the range hood is installed, determine whether it will discharge vertically or horizontally (7" Round duct). For vertical or horizontal discharge, run duct work between the hood location and a roof cap or wall cap. For the best result in either directions, use a minimum number of transitions and elbows. Be sure to attach a roof cap or wall cap to avoid leaking rain in the end.

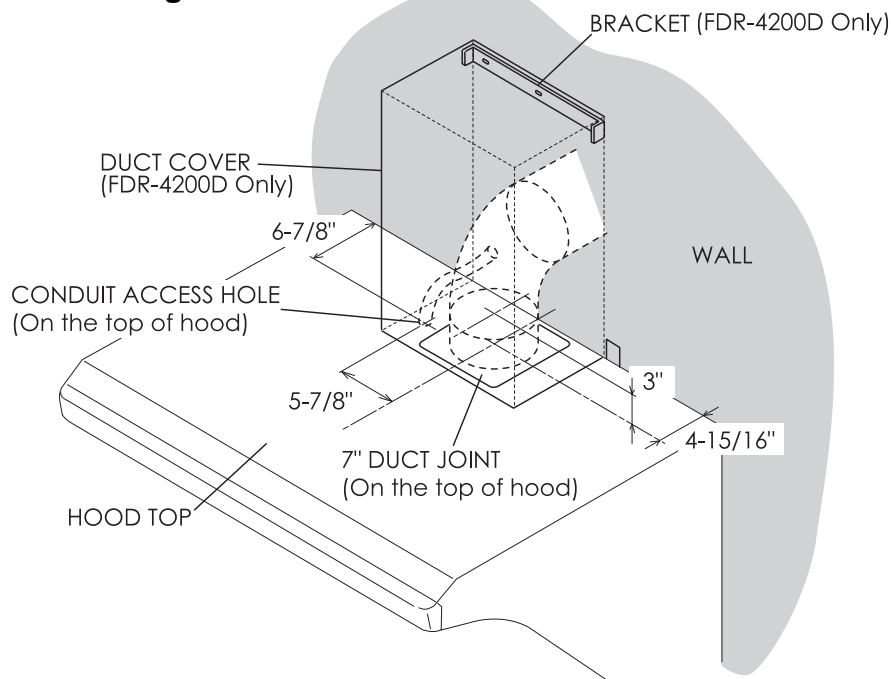
NOTE: *FDR-4200D is for horizontal discharge only.*



2 Use diagrams below, for proper placement of ductwork and electrical cutout in the wall or ceiling.

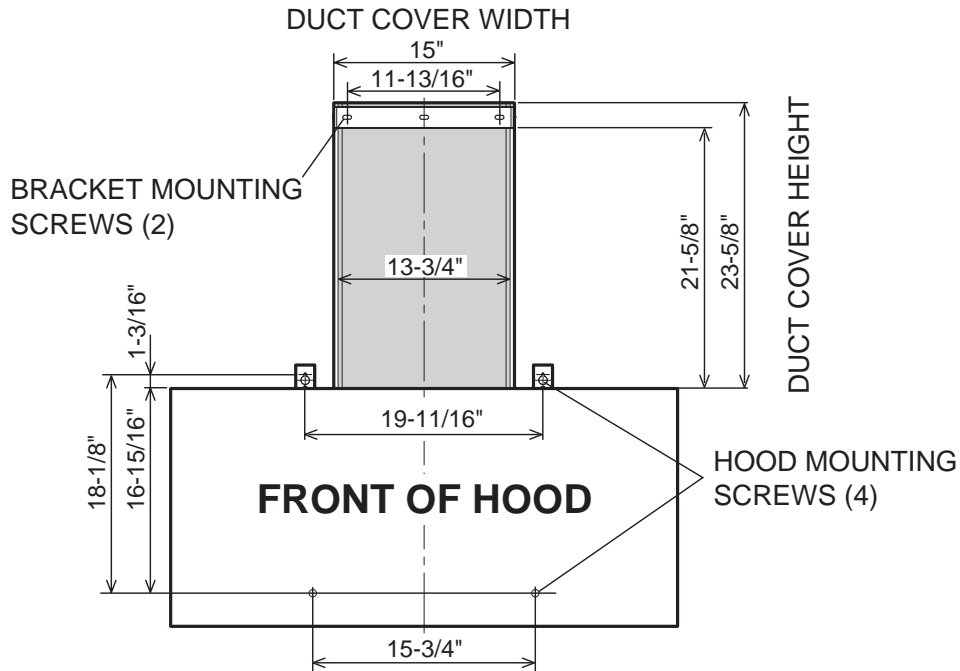
NOTE: *Refer also to "SIZE & DIMENSIONS" on page 5.*

■ 7" Round Ducting



■ 7" Round Horizontal Ducting

NOTE: Provide the ducting and electrical cutouts within the shaded area (FDR-4200D only).

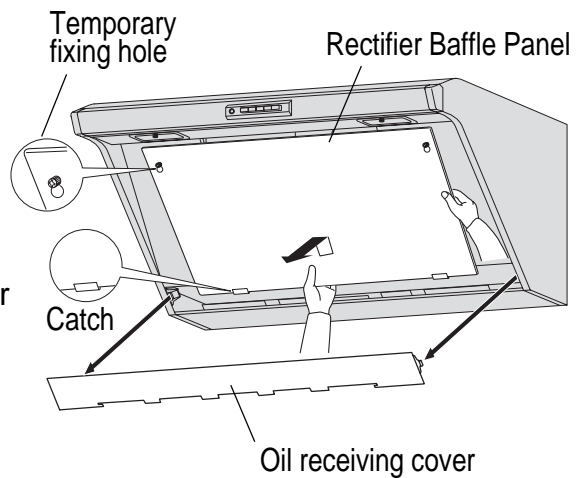


3 Run house wiring between service panel and hood location.

4 Prepare the range hood.

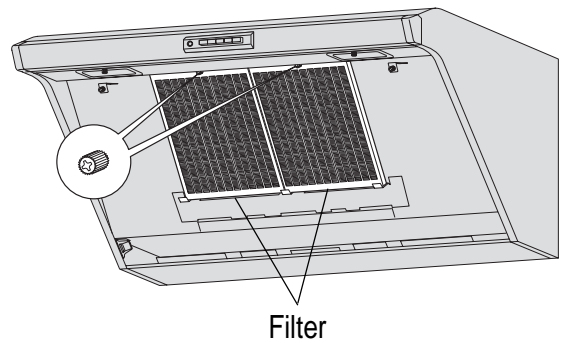
(1) **Remove the oil receiving cover**
Hold both ends of the oil receiving cover with your hands and lift it up to detach from the body.

(2) **Remove the Rectifier Baffle Panel**
Loosen the screws fixing the Rectifier Baffle Panel, then slide the panel upward to dislocate the temporary fixing holes and disengage from the catches of the body.



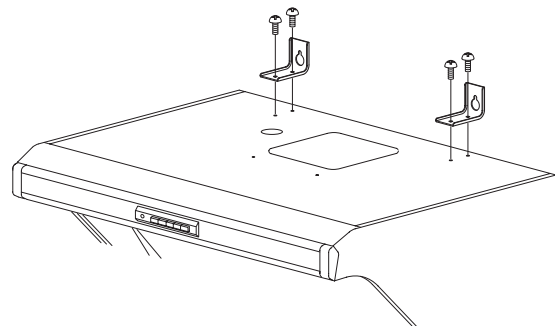
(3) Remove the slot filters

Remove the screws fixing the slot filters, then lift them up to disengage from the catches of the body.



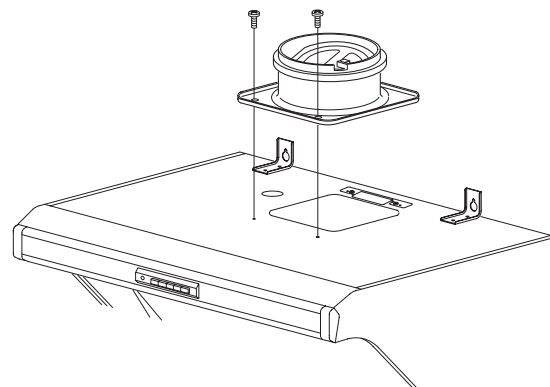
(4) Fix the hangers

Four fixing screws are supplied with attaching to the top of the body. Fix the supplied hangers on the body firmly using these screws.

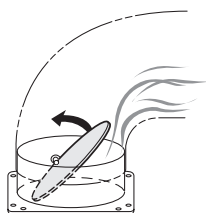


(5) Fix the duct joint

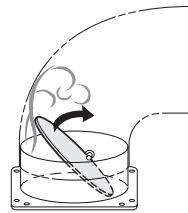
Insert one bottom end of the supplied duct joint into the holder on the rear top of the body, and fix the duct joint firmly using 2 screws on its front side. (The fixing screws are supplied with attaching to the top of the body.) Then attach the supplied soft tape around the duct joint.



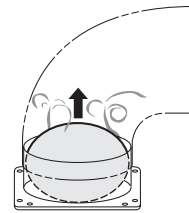
Note: When mounting the duct joint, pay attention to the direction of its shutter movement referring to figure below.



Correct



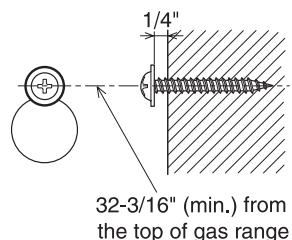
Wrong



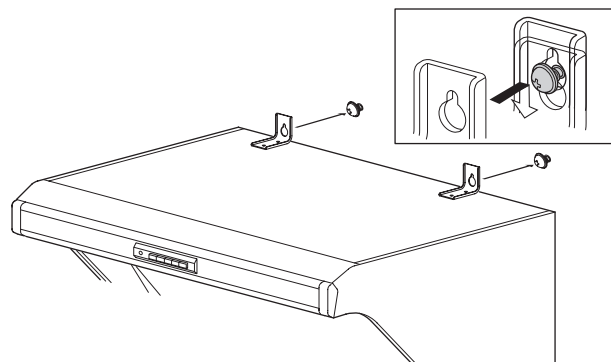
2. RANGE HOOD MOUNTING

⚠ CAUTION: The range hood is quite heavy (FDR-4200D: 35kg, FDR-4200: 28kg), so be careful not to be injured during mounting work.

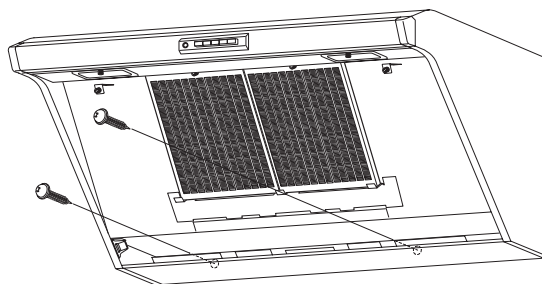
1 Referring to "SIZE & DIMENSIONS" on page 5, insert 2 supplied washer head wood screws into the mounting wall (for the left and right hangers). Allow about $\frac{1}{4}$ " space between the wall and screwheads for hanging the body.



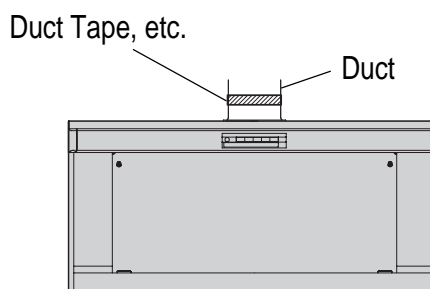
2 To mount the range hood, hook the temporary fixing holes of the hangers on the screws, slide the body downward, then tighten the screws.



3 Insert 2 more washer head wood screws in the holes of the body, and tighten them firmly.



4 Connect duct and duct joint, then make the duct joint secure and air tight using non-flammable tape such as duct tape, etc. (not supplied)



3. CONNECTING POWER SUPPLY WIRES

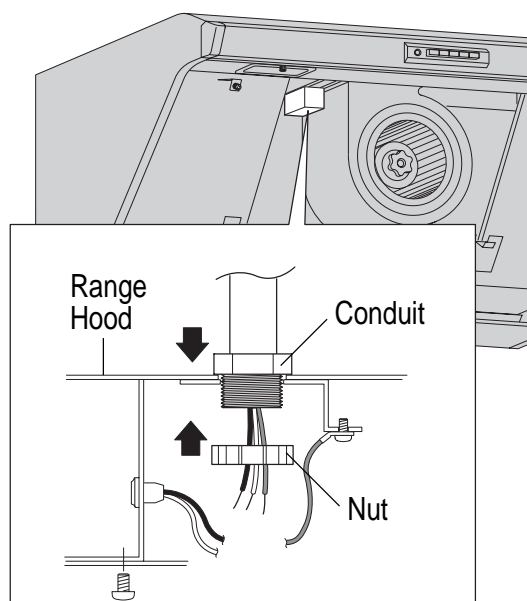
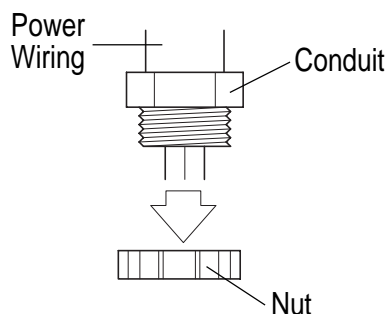
- ⚠ WARNING:**
- Electrical wiring should be done by a qualified person(s) in accordance with all-applicable codes and standards, including fire-rated construction. An unqualified person doing the work could result in fire, electric shock or injury.
 - This range hood uses 120V AC. Do not connect to another voltage since fire, electric shock or damage could result.

- 1** Remove the nut from the conduit connector at the end of power wiring.

- ⚠ WARNING:** Be sure to switch power OFF at service panel before wiring.

- 2** Remove 1 screw fixing the wire box cover, and detach the cover.

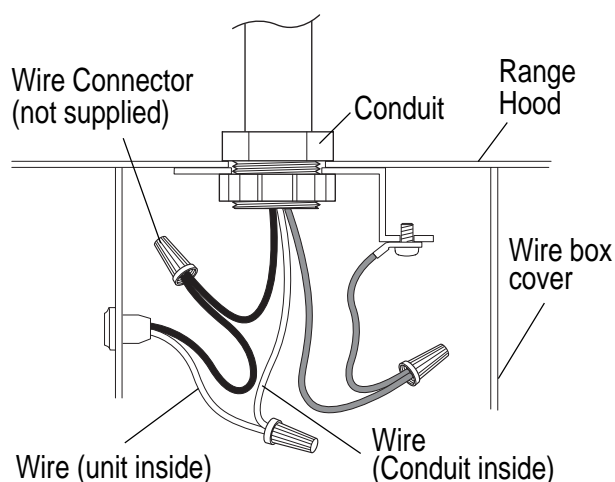
- 3** Connect the conduit through the connecting hole of the body using the nut previously removed.



- 4** Connect the electrical wires as follows: Connect wires tightly and securely using wire connectors (not supplied).

- Black to Black
- White to White
- Green to Green

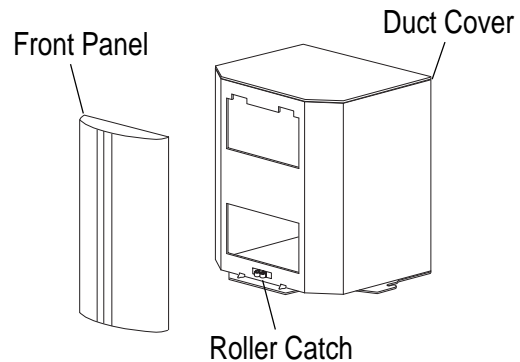
- 5** Make sure that all wires are connected properly and enclosed inside of the wiring compartment, then replace the wire box cover with the screw.



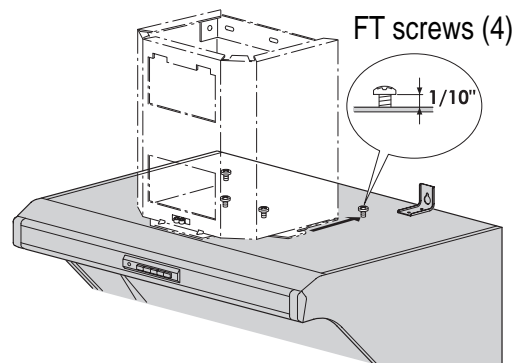
4. ATTACHING DUCT COVER (FDR-4200D only)

- 1 Remove the front panel of the supplied duct cover by pulling out its bottom end (roller catch fastened).

Note: The duct cover is supplied with its top plate assembled. Remove the top plate when it's unnecessary.

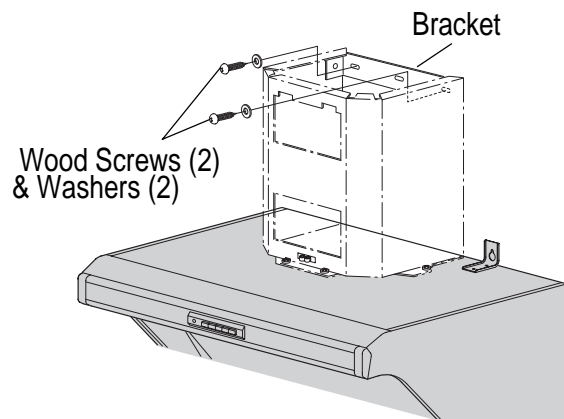


- 2 Temporarily insert 4 supplied FT screws into the holes on the top of the body. Allow about 1/10" space between the top plate and screwheads.

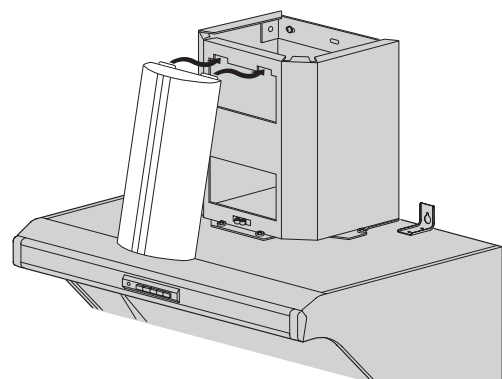


- 3 Put the duct cover with aligning its 4 bottom cutouts with the 4 screws, slide it backward, then tighten the screws firmly.

- 4 Insert 2 supplied wood screws with washers in the holes (left and right) on the back bracket of the duct cover, and tighten them securely.



- 5 Replace the front panel with engaging its top notches first, then pushing its bottom side to set into the roller catch.

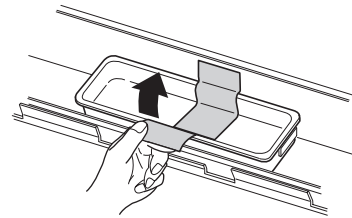


5. FINAL ASSEMBLY AND CHECK

Two 60 W light bulbs (not supplied) can be mounted to this range hood. Prior to final assembly, install light bulbs (in the base diameter 26 mm), rated 120 V - 60 W or below.

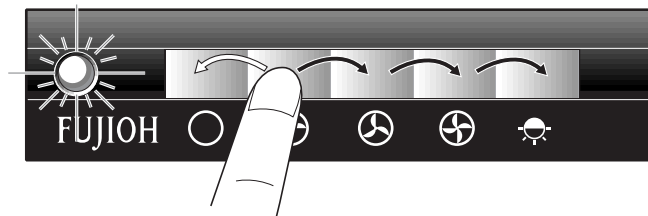
1 Assembly (refer to “PREPARATION”)

- (1) The oil tray is attached with tape on the bottom inside of the body, so be sure to remove the tape before operation.
- (2) Replace the slot filters with 2 screws.
- (3) Replace the Rectifier Baffle Panel with 2 screws.
- (4) Replace the oil receiving cover.



2 Check

- (1) Turn on the electrical circuit to the range hood.
- (2) Make sure that the switch and light operate correctly. Refer to page 5 of the Operation Manual.
- (3) Check the ventilating functions at Hi, Me and Lo positions.
- (4) Make sure that the range hood has no abnormal noises and/or vibration.

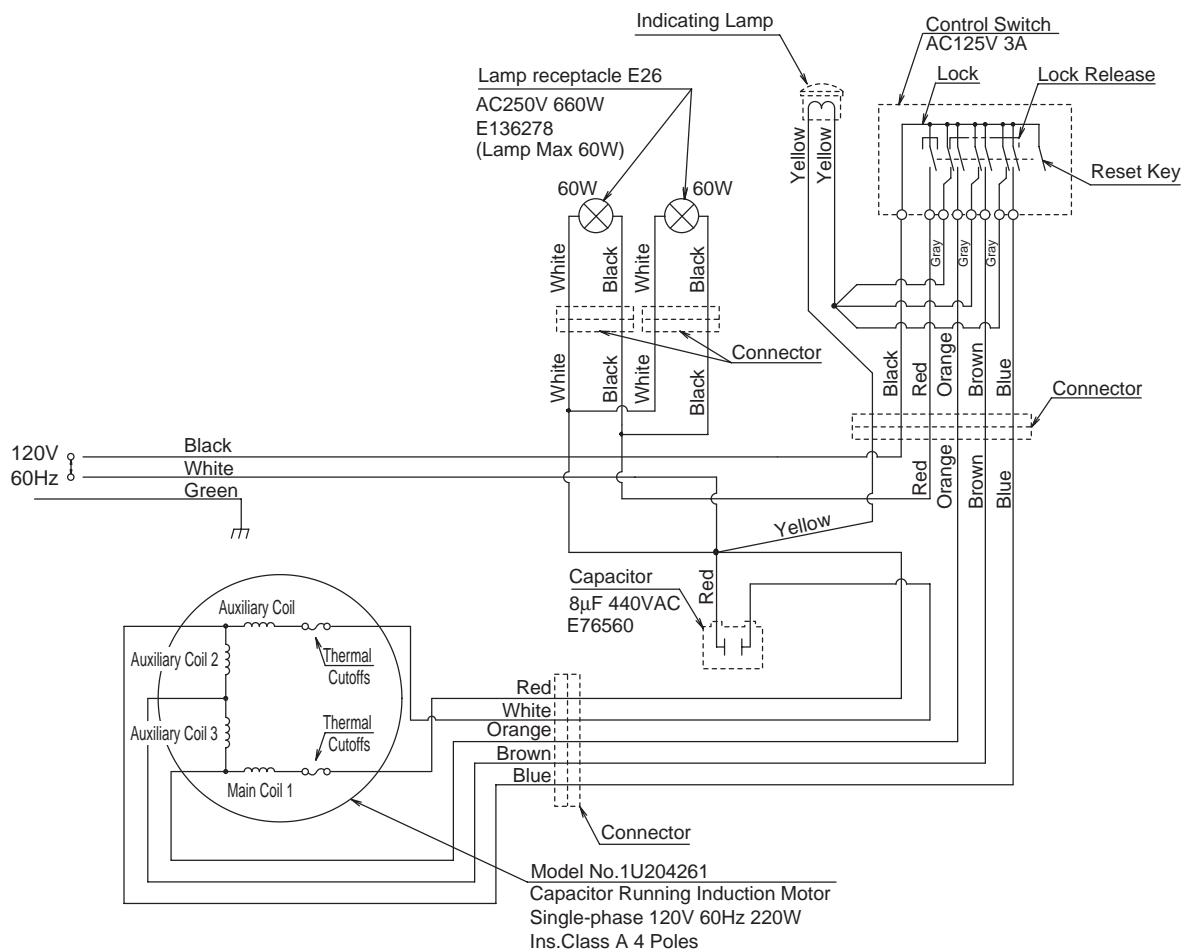


-
- ⚠ CAUTION:**
- To reduce the risk of injury, keep your hands and other objects away from the fan while it is in motion.
 - Wear working gloves to avoid injury.

Explanation to the End User

- (1) Referring to the Operation Manual, explain the operation of this range hood to end users.
- (2) The Installation Manual and Operation Manual should be given to the end user.

CIRCUIT DIAGRAM



FUJIOH

Fuji Industrial Co., Ltd.
2-1-9 Fuchinobe, Sagamihara-shi, Kanagawa-ken 229-0006 Japan
Tel. +81-42-753-1001
Fax. +81-42-753-1009