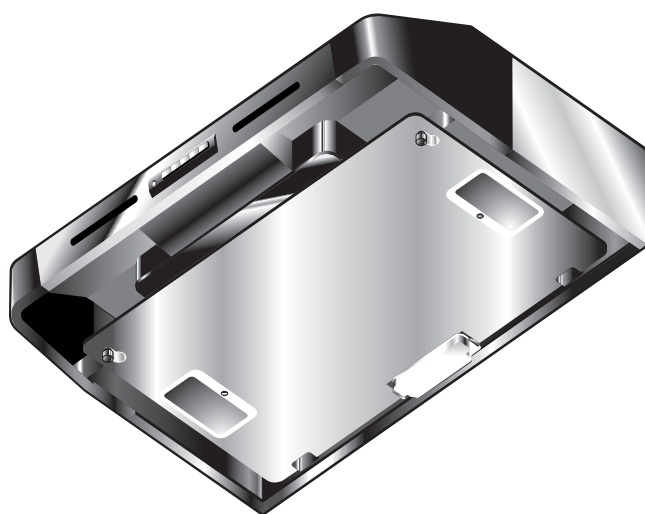


FUJIOH

Range Hood INSTALLATION MANUAL

MODEL: FSR-3000
FSR-3600
FSR-4200



<i>English</i>	<i>Français</i>	<i>Español</i>	<i>中文</i>
2-13	15-26	28-39	41-52

TABLE OF CONTENTS

Safety Instructions	2
Name of Parts	4
Size & Dimensions	4
Range Hood Location	5
Installation	6
1. Preparation	6
2. Range Hood Mounting	10
3. Connecting Power Supply Wires	11
4. Final Assembly and Check	12
Explanation to the End User	13
Circuit Diagram	13

READ AND SAVE THESE INSTRUCTIONS.
Keep this manual in a convenient place for future reference.

FUJI INDUSTRIAL CO., LTD.


SAFETY INSTRUCTIONS


Before installation and operation, read these instructions carefully and use this product only in the manner described by the manufacturer in the operation manual.

The instructions shown below are used to alert you to potential personal injury and property damage hazards.

There are three hazard classifications based on potentially dangerous situations.

Obey all safety instructions that show these symbols to avoid possible injury, death and property damage.


 **WARNING:** WARNING indicates a potentially hazardous situation which, if not avoided, could result in death or serious injury.

 **CAUTION:** CAUTION indicates a potentially hazardous situation which, if not avoided, may result in minor or moderate injury.

CAUTION: CAUTION used without the safety alert symbol indicates a potentially hazardous situation which, if not avoided, may result in property damage.

WARNING


1. TO REDUCE THE RISK OF FIRE, ELECTRIC SHOCK, OR INJURY TO PERSONS, OBSERVE THE FOLLOWING:

- 
- a) Use this unit only in the manner intended by the manufacturer. If you have questions, contact the manufacturer.
 - b) Before servicing or cleaning the unit, switch power off at service panel and lock the service disconnecting means to prevent power from being switched on accidentally. When the service disconnecting means cannot be locked, securely fasten a prominent warning device, such as a tag, to the service panel.



2. To reduce the risk of fire or electric shock, do not use this product with any solid-state speed control device.

3. TO REDUCE THE RISK OF FIRE, ELECTRIC SHOCK, OR INJURY TO PERSONS, OBSERVE THE FOLLOWING:

- 
- a) Installation work and electrical wiring must be done by a qualified person(s) in accordance with all applicable codes and standards, including fire-rated construction.
 - b) Sufficient air is needed for proper combustion and exhausting of gases through the flue (chimney) of fuel burning equipment to prevent back drafting. Follow the heating equipment manufacturer's guidelines and safety standards such as those published by the National Fire Protection Association (NFPA), and The American Society for Heating, Refrigeration and Air Conditioning Engineers (ASHRAE), and the local code authorities.
 - c) When cutting or drilling into wall or ceiling, do not damage electrical wiring and other hidden utilities.
 - d) Ducted fan must always be vented to outdoors.



4. TO REDUCE THE RISK OF FIRE, USE ONLY METAL DUCTWORK.



5. This unit must be grounded.










6. Install this range hood to the cabinet. Check that the hood is correctly installed, since incorrect installation could result in the range hood becoming detached and falling off.



7. Connect only to an AC120 Volt power source or the range hood could result in fire, electric shock, and damage.

CAUTION

- | | |
|--|---|
|  | 1. For general ventilating use only. Do not use to exhaust hazardous or explosive material and vapors. |
|  | 2. To reduce the risk of fire and to properly exhaust air, be sure to duct air outside. Do not vent exhaust air into spaces within walls, ceilings or into attics, crawl spaces or garages. |
|  | 3. Read specification label on this product for further information and requirements. |
|  | 4. Use only for the purpose of kitchen ventilation. |
|  | 5. Do not install this range hood in the bathroom or in other wet rooms since electrical shock and damage may result. |
|  | 6. Fasten the filter and other parts securely. Incorrect attachment may result in personal injury or property damage. |
|  | 7. Keep your hands and other objects away from the fan while it is in motion. The range hood may injure you or damage itself. |

NOTE: *The safety instructions are explained with the following pictographic symbols.*

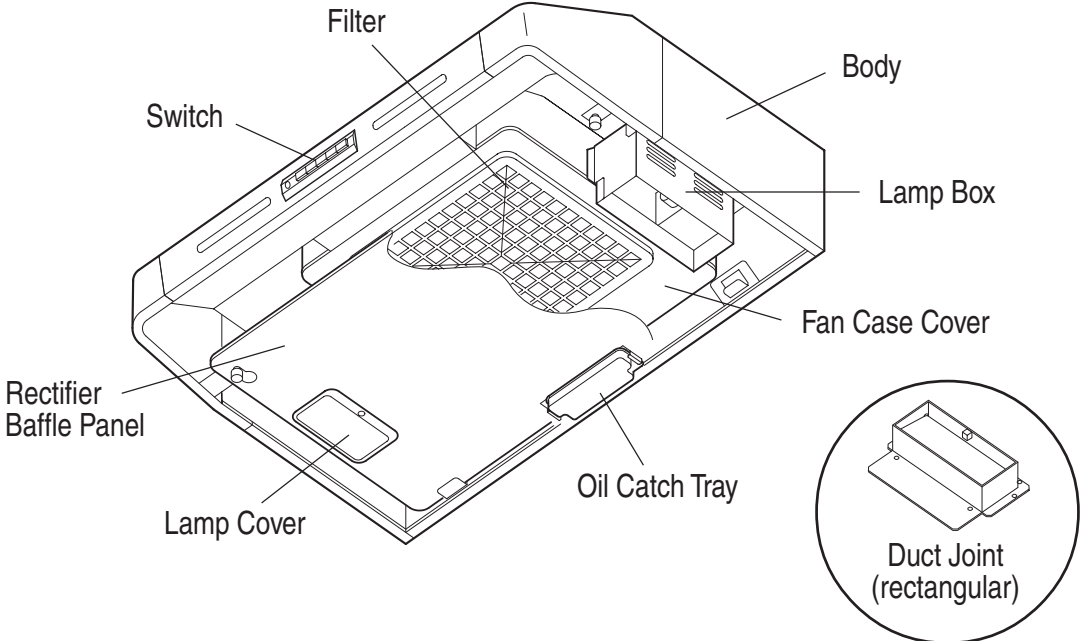


⊘ : means prohibition. It indicates actions, if any, that mustn't be done.




● : means forcible execution. It indicates actions, if any, that must be done.

NAME OF PARTS

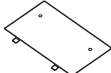


Accessories

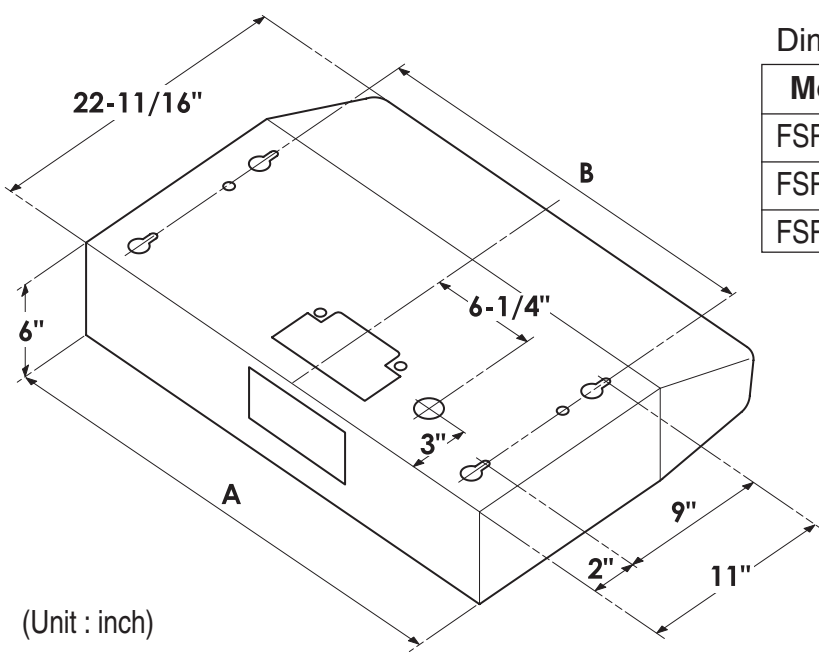

Washer Head
Wood Screw (× 6 pcs.)


Screw
(× 4 pcs.)


Soft Tape
(× 1 pc.)


Cover Plate
(× 1 pc.)

SIZE & DIMENSIONS

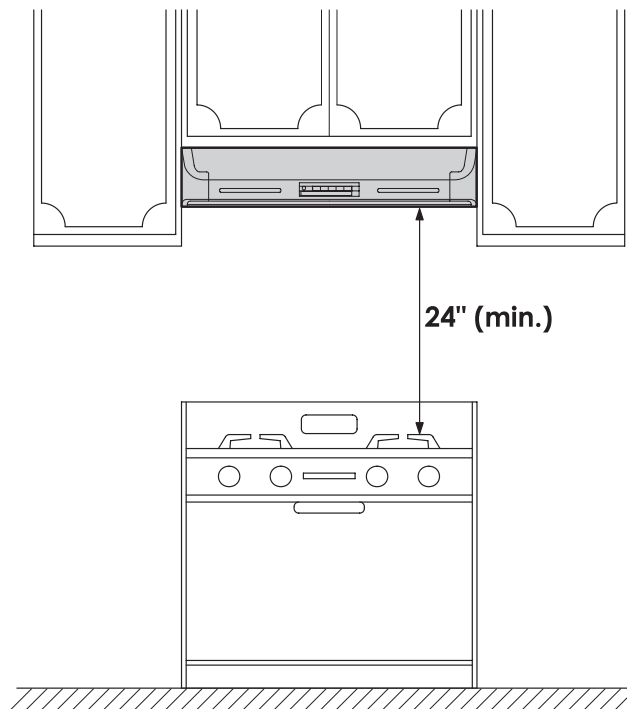


Dimensions (in inches)

Model	A	B
FSR-3000	29-7/8"	27
FSR-3600	35-7/8"	33
FSR-4200	41-7/8"	39

RANGE HOOD LOCATION

- 1 The range hood must be installed just above the cooktop.
- 2 The minimum distance from the cooking surface to the bottom of the range hood must be 24".
- 3 The total weight of the FSR series range hoods are:
 - FSR-3000 ----- 35 lbs. (16 kg)
 - FSR-3600 ----- 37 lbs. (17 kg)
 - FSR-4200 ----- 40 lbs. (18 kg)
- 4 Power requirements are:
 - AC120 V, 60 Hz, 1.9 Amp



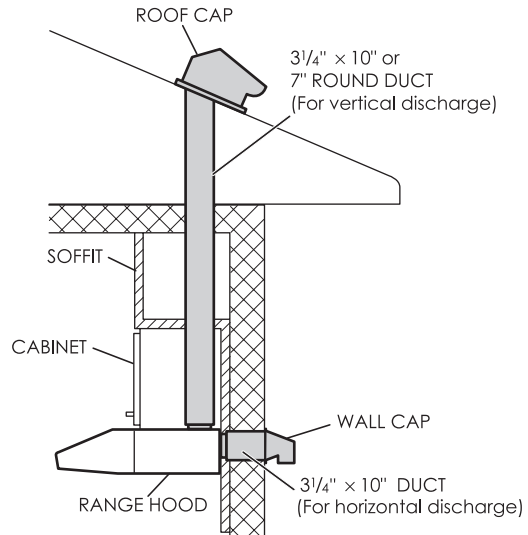
-
- ⚠ CAUTION:**
- Check that the hood is correctly installed, since incorrect installation could result in the detachment of the range hood and the unit fall off.
 - To protect hands from injury, wear working gloves when installing the range hood.

INSTALLATION

1. PREPARATION

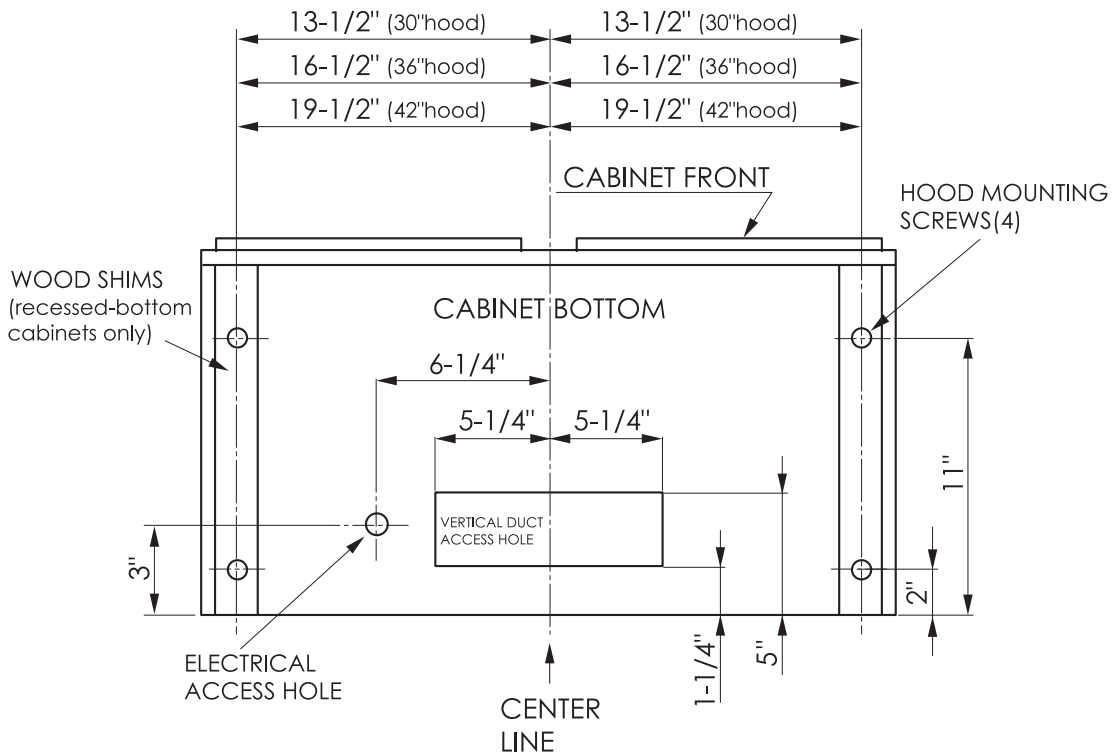
- ⚠ WARNING:**
- If the range hood is not installed properly, it could become detached and fall off.
 - Ensure that the metal duct does not touch other metal housing materials, otherwise fire or electric shock could result.

1 This range hood can discharge upward or backward. According to the conditions where the hood is installed, determine whether it will discharge vertically (3 1/4" x 10" or 7" Round) or horizontally (3 1/4" x 10" only). For vertical or horizontal discharge, run duct work between the hood location and a roof cap or wall cap. For the best results in either directions, use a minimum number of transitions and elbows. Be sure to attach a roof cap or wall cap to avoid leaking rain in the end.

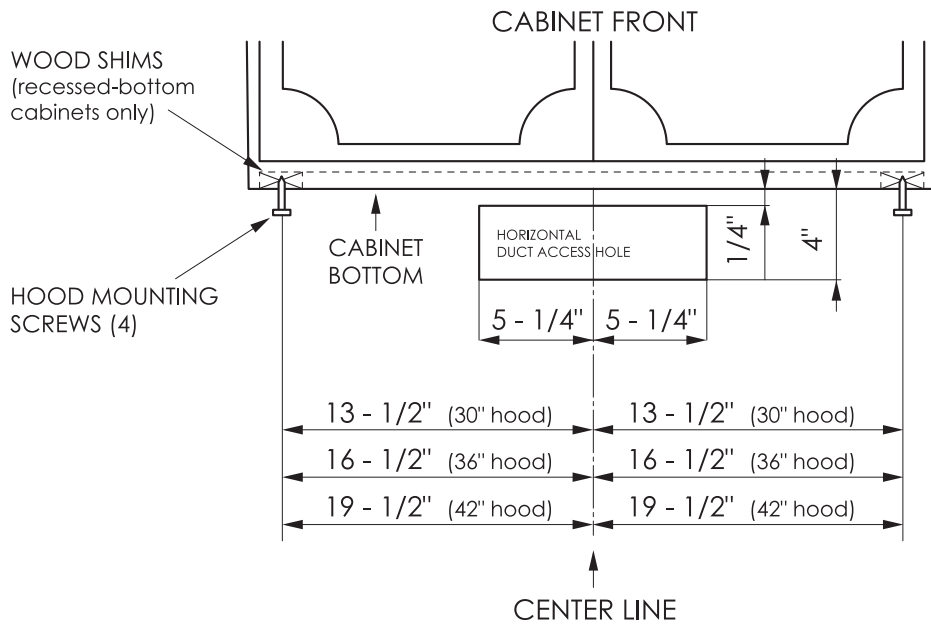


2 Use diagrams below, for proper placement of ductwork and electrical cutout in cabinet or wall.

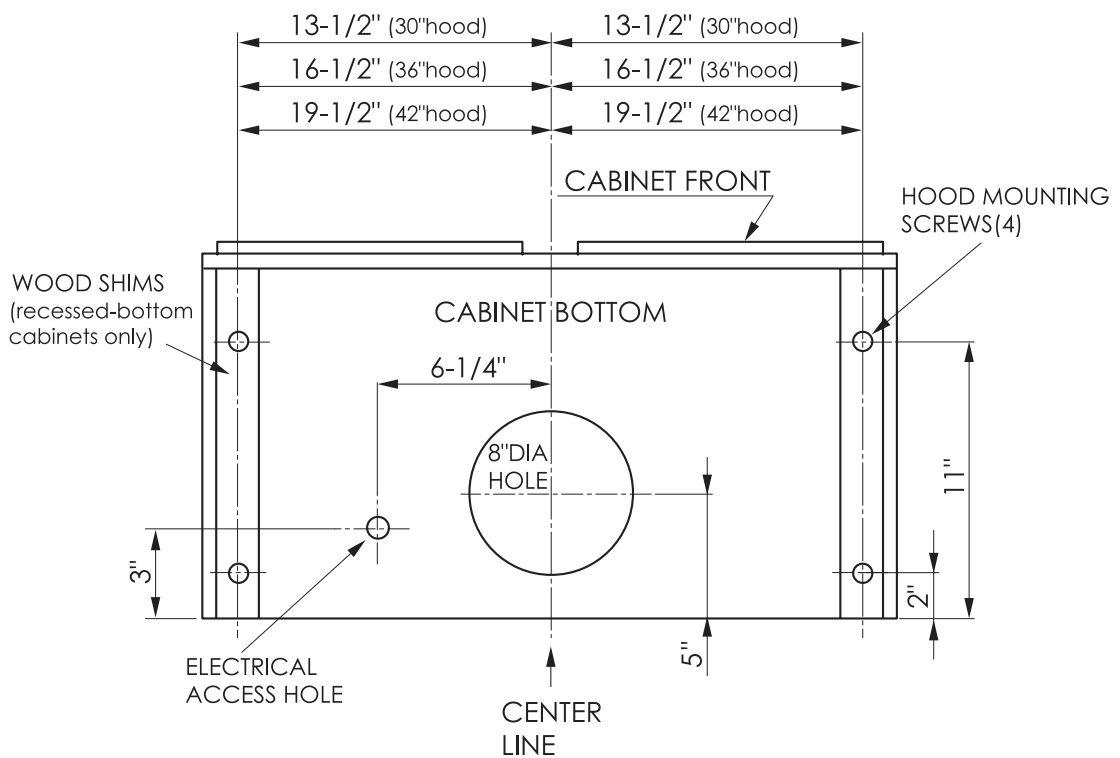
■ 3 1/4" x 10" Vertical Ducting



■ 3 1/4" x 10" Horizontal Ducting



■ 7" Round Vertical Ducting

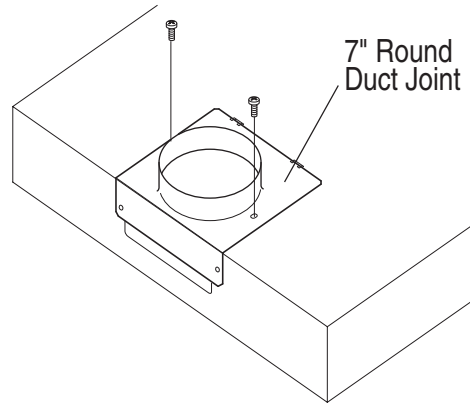


3 Run house wiring between service panel and hood location.

4 Prepare the range hood.

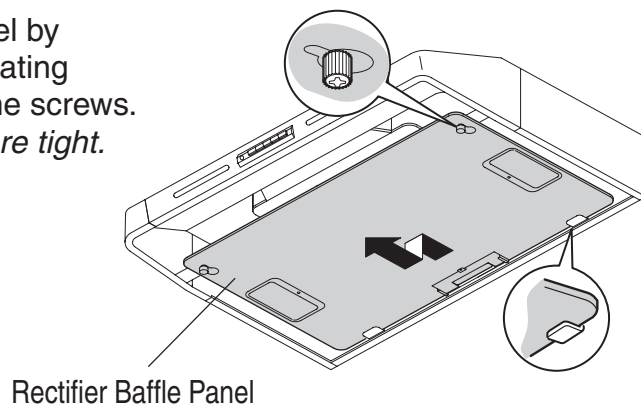
(1) If you want to use the rectangular duct joint, remove the 7" round duct joint on the top plate of the body by removing 2 fixing screws.

Note: Keep the screws for reusing later.

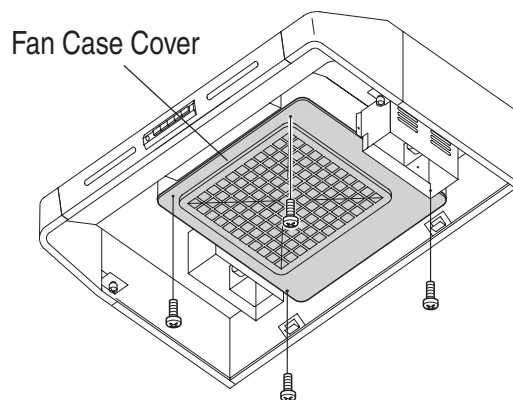


(2) Remove the Rectifier Baffle Panel by loosening the screws, and dislocating its temporary fixing holes from the screws.

Note: Use a screwdriver if they are tight.

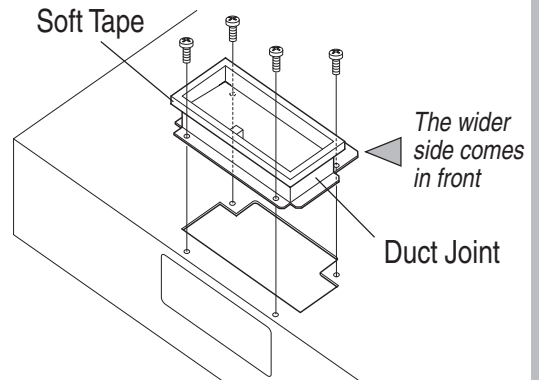


(3) Remove the fan case cover by removing 4 screws.



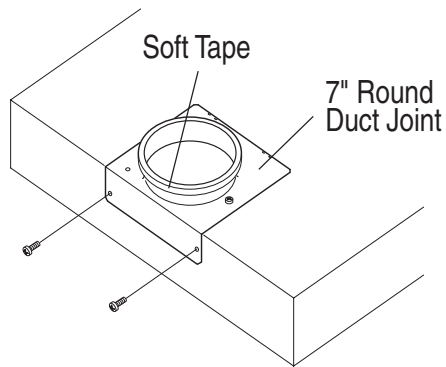
■ **In Case of 3¼"×10" Vertical Discharge**

Mount the supplied 3¼"×10" rectangular duct joint on the top plate with 4 screws (2 pieces: removed in Step 4-1, the others: supplied). Then attach the supplied soft tape around the duct joint.



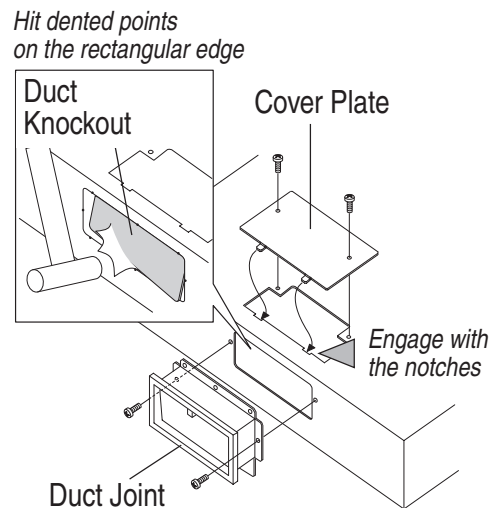
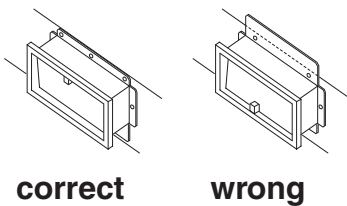
■ **In Case of 7" Round Vertical Discharge**

Fix the round duct joint firmly by adding 2 screws supplied on its rear side, then attach the supplied soft tape around the duct joint.



■ **In Case of 3¼"×10" Horizontal Discharge**

First, remove half-cut rectangular part of the rear plate (duct knockout) using a hammer, pliers, etc. Mount the supplied 3¼"×10" rectangular duct joint with 2 screws. **Note:** The wider side directs downward.

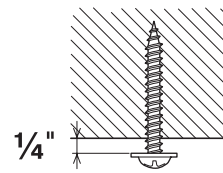


Then attach the supplied soft tape around the duct joint. To close the opening of the top plate, attach the supplied cover plate with 2 screws.

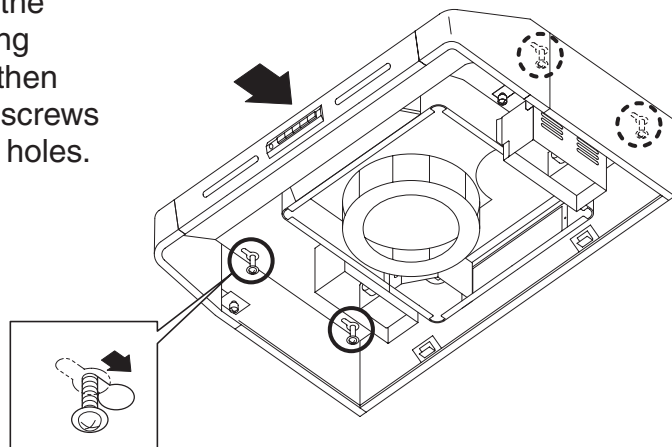
- CAUTION:**
- Wear working gloves to avoid injury.
 - Do not apply excessive force when removing the knockout. The fan may be damaged.

2. RANGE HOOD MOUNTING

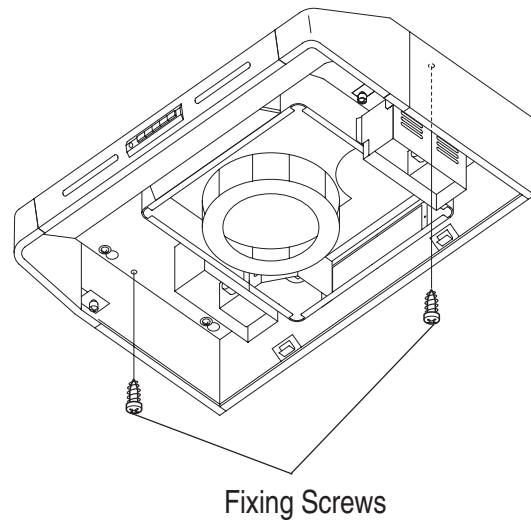
1 Referring to "SIZE & DIMENSIONS", insert 4 washer head wood screws into the bottom plate of the cabinet. Marking before screwing is recommended. Allow about 1/4" between the bottom plate and screwheads for hanging the hood body.



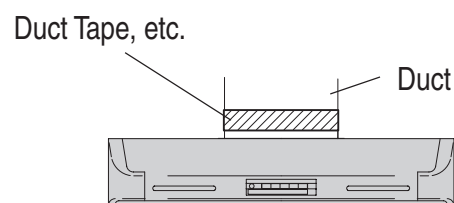
2 While inserting the duct joint into the duct end, hook the temporary fixing holes of the body on the screws, then slide the body backward until the screws are engaged in narrow end of the holes.



3 After ensuring that the range hood is positioned properly, tighten the 4 screws and fix it firmly using 2 more washer head wood screws.



4 Make the duct joint secure and air tight using non-flammable tape such as duct tape, etc. (not supplied)

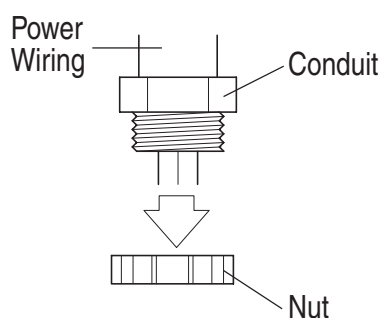


3. CONNECTING POWER SUPPLY WIRES

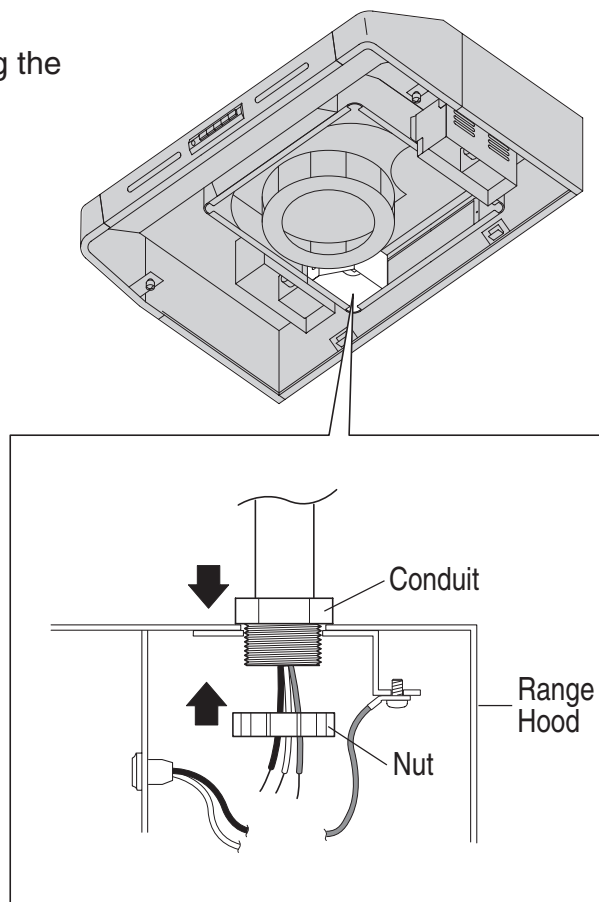
- ⚠ WARNING:**
- Electrical wiring should be done by a qualified person(s) in accordance with all-applicable codes and standards, including fire-rated construction. An unqualified person doing the work could result in fire, electric shock or injury.
 - This range hood uses 120V AC. Do not connect to another voltage since fire, electric shock or damage could result.

- 1** Remove the nut from the conduit connector at the end of power wiring.

- ⚠ WARNING:** Be sure to switch power OFF at service panel before wiring.

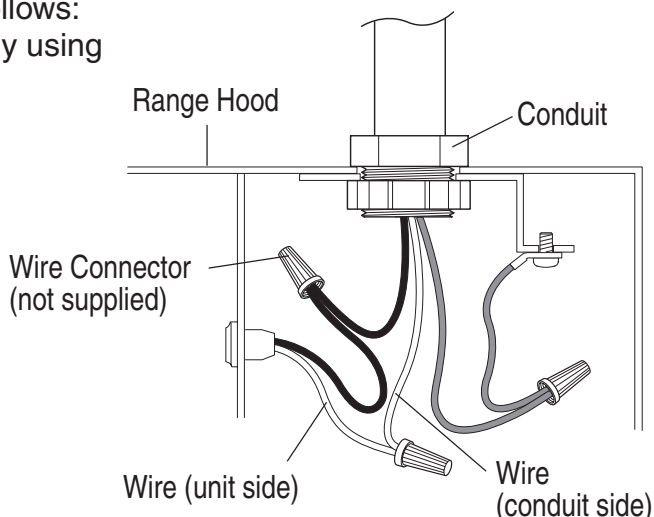


- 2** Connect the conduit through the connecting hole of the body using the nut previously removed.



3 Connect the electrical wires as follows:
Connect wires tightly and securely using wire connectors (not supplied).

- Black to Black
- White to White
- Green to Green



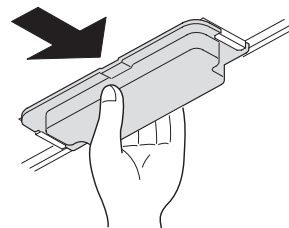
4 Make sure that all wires are connected properly and enclosed inside of the wiring compartment.

4. FINAL ASSEMBLY AND CHECK

Two 60 W light bulbs (not supplied) can be mounted to this range hood. Prior to final assembly, install light bulbs (halogen or ordinary type, in the base diameter 26 mm), rated 120 V - 60 W or below.

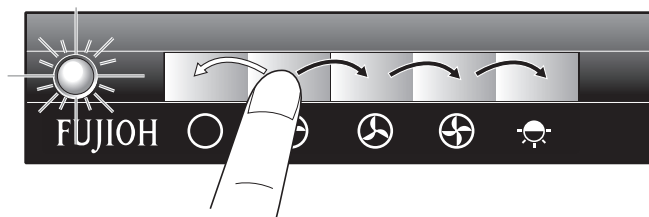
1 Assembly (refer to “PREPARATION”)

- (1) Replace the fan case cover with 4 screws.
- (2) Replace the Rectifier Baffle Panel with 2 screws.
- (3) Install the oil catch tray.



2 Check

- (1) Turn on the electrical circuit to the range hood.
- (2) Make sure that the switch and light operate correctly. Refer to page 5 of the Operation Manual.
- (3) Check the ventilating functions at High (⊕), Medium (⊗) and Low (⊖) positions.
- (4) Make sure that the range hood has no abnormal noises and/or vibration.

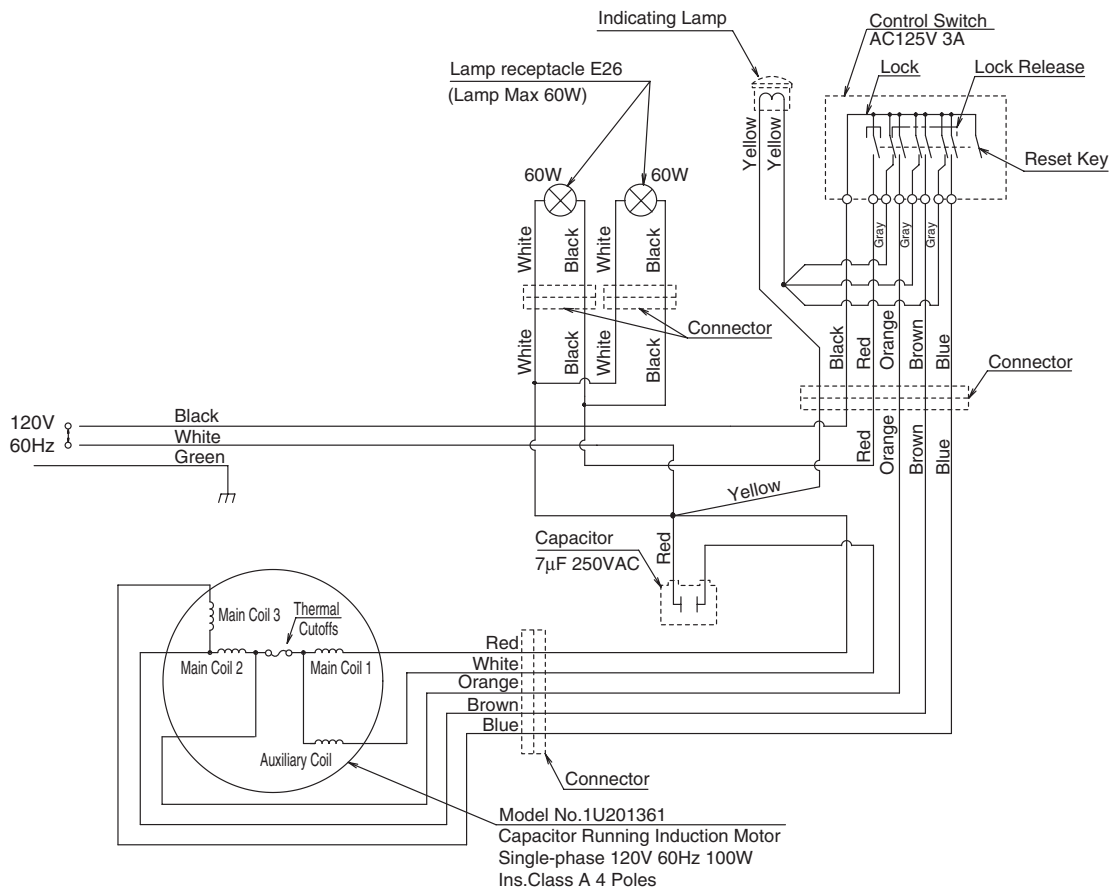


- ⚠ CAUTION:**
- To reduce the risk of injury, keep your hands and other objects away from the fan while it is in motion.
 - Wear working gloves to avoid injury.

Explanation to the End User

- (1) Referring to the Operation Manual, explain the operation of this range hood to end users.
- (2) The Installation Manual and Operation Manual should be given to the end user.

CIRCUIT DIAGRAM



FUJIOH