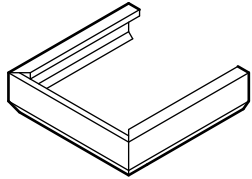


< NAME OF PARTS >

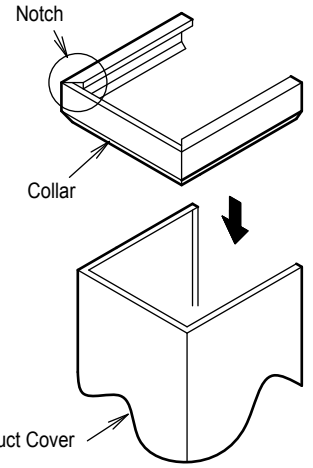


COLLAR (1)

Please confirm contents in the above figure first.

FIG 1

Slide the collar onto the duct cover.
The flange of the duct is set in notch of the collar.



CAUTION

Be careful not to damage the duct cover.

FIG 2

< When collar is loose >
Attach double side tape to flange of the above duct cover and the collar is fixed.

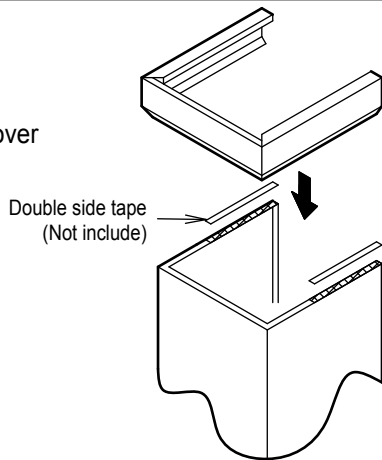


FIG 3

Attach the duct cover to the hood.

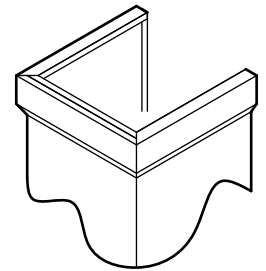
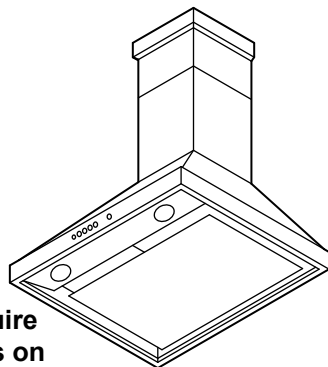


FIG 4

Finally, attach the duct cover to the hood.
Please refer to the installation manual for the range hood.



Your installation is now complete. If you should require service or replacement parts on your ventilation system. contact:

Fuji Industrial USA, Inc.
16300 Christensen Rd, #212 Seattle, WA 98188
1-888-547-9880

FIG 5

READ AND SAVE THESE INSTRUCTIONS.
Keep this manual in a convenient place for future reference.

FUJI INDUSTRIAL CO.,LTD .