



Black (GBK) Glass Front Panel



Also available in: Silver Metallic (GCM) Glass Front Panel

FJS-900

Recycling (FJS-900V)
Ventilating (FJS-900V)

*Available only in Stainless Steel body

SPECIFICATIONS (BASED ON 230V)

DIMENSIONS (WxDxH) (mm)
(V) 900 X 500 X 680-920 (with extended duct)

AIR FLOW (LOW/HI) (m³/h)
(V) 630 / 920

SOUND LEVEL (LOW/HI) dB(A)
(V) 45 / 54

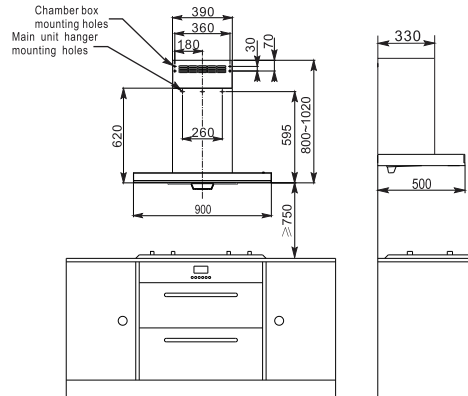
OIL FUMES CAPTURE
(V) 90%

POWER CONSUMPTION WITH LAMP
(LOW/HI) (watt)
(V) 128 / 212

WEIGHT (kg)
(V) 26

INSTALLATION DETAILS

<Recycling Type>
For Ventilating Type, please refer to the manual.



ACCESSORIES

FILTER



FEATURES

- Punch Filter eliminates oily build-ups, and is anti-rust, washable and easy to clean.
- Technologically Advanced Removable Rectifier Panel.
- Sirocco Fan.
- Oil Catch Tray.
- Fire-retardant Body.
- LED light (energy saving).
- Electro Static Switch Control (Digital).