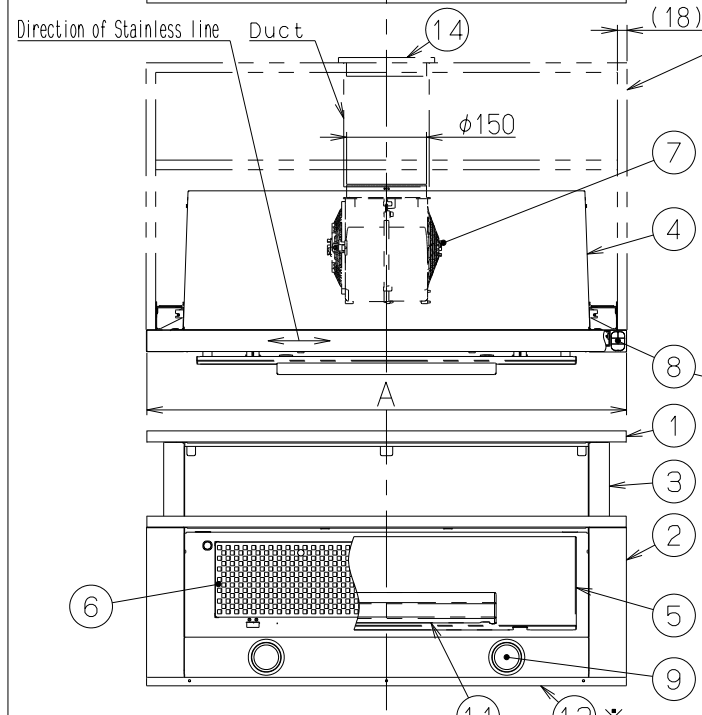
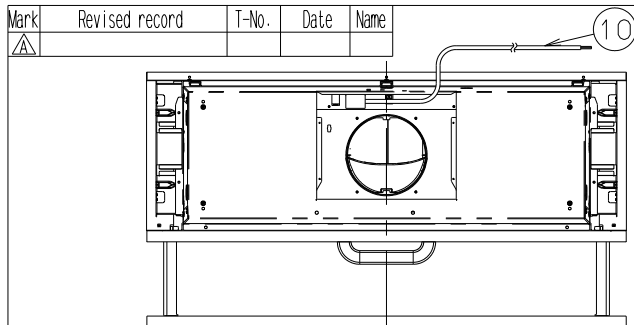


Mark	Revised record	T-No.	Date	Name
△				



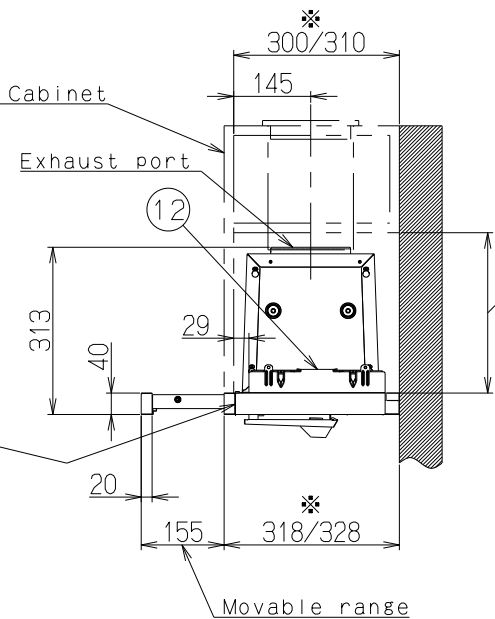
Specifications

Model	Voltage (V)	Speed	Frequency (Hz)	Power Consumption (W)	Airflow (m³/h)		Sound (dB)	Weight (kg)
					0 Pa			
ES-600 S	220	Turbo	50	245	705		57	10.5
		Hi		215	555		52	
		Med		185	395		44	
		Low		150	275		37	
ES-900 S	230	Turbo	50	255	740		58	12.5
		Hi		230	590		53	
		Med		200	415		46	
		Low		165	290		38	
	240	Turbo	50	265	780		59	
		Hi		240	625		55	
		Med		210	445		48	
		Med		175	305		39	

* with 5 Watt for lamps

Accessories

Round washer head Screw (φ4.5 x 16mm)	8pcs
Screw (φ3 x 8mm)	7pcs
Screw (φ4.2 x 35mm)	4pcs
Screw (φ4.2 x 13mm)	4pcs
Screw adapter	1pc
Exhaust port shutter	2pcs
Code clip	1pc

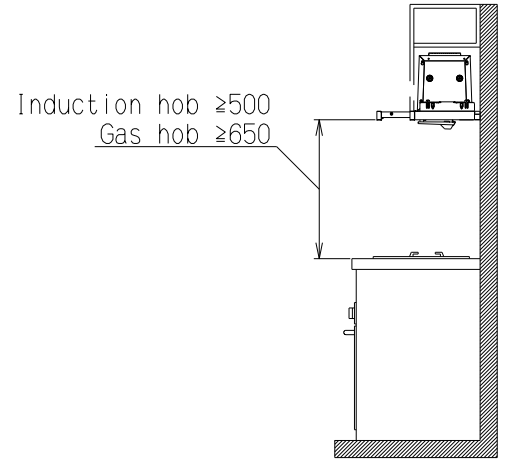


Cabinet setting (stands for parts of '* *')

Cabinet depth	Spacer	Product depth
300	16	318
310	26	328

Major Parts

No.	Parts	Material	Finish	Color
1	Front panel	Stainless steel		
2	Hood body	Stainless steel		
3	Slider body	Steel	Painting	Silver metallic
4	Body	Galvanized steel		
5	Rectifier baffle panel	Stainless steel		
6	Filter	Stainless steel (2 layers)		
7	Blower unit	Capacitor motor, Class F, Plastic fan		
8	Switch	Soft touch switch (Light, Timer, Off/Speed down, On/Speed up)		
9	Lighting	LED 2pcs (2.5W)		
10	Power supply cord	Cable cable (without a plug)		*Accessories
11	Oil tray	Polycarbonate		*Accessories
12	Hanging bracket	Galvanized steel		*Accessories, 4pcs
13	Spacer	Stainless steel		*Accessories
14	Exhaust outlet	Polypropylene		*Accessories (for recycling)



Standard Installation

898	ES-900 S	—	Stainless steel	—
598	ES-600 S	—	Stainless steel	—
A	Model	Product code	Color	Category No.
	Created Date	2016/11/10		Model ES-600/900 S
	Updated Date	****/**/**		
	FUJI INDUSTRIAL CO., LTD.	Scale	1/10	Product outline drawing