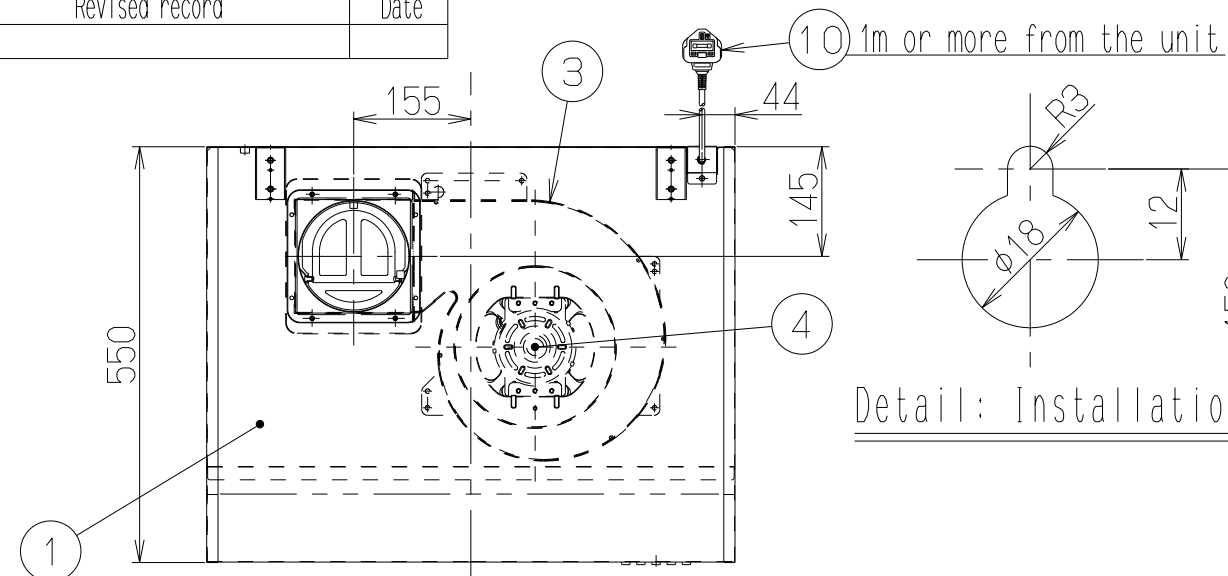
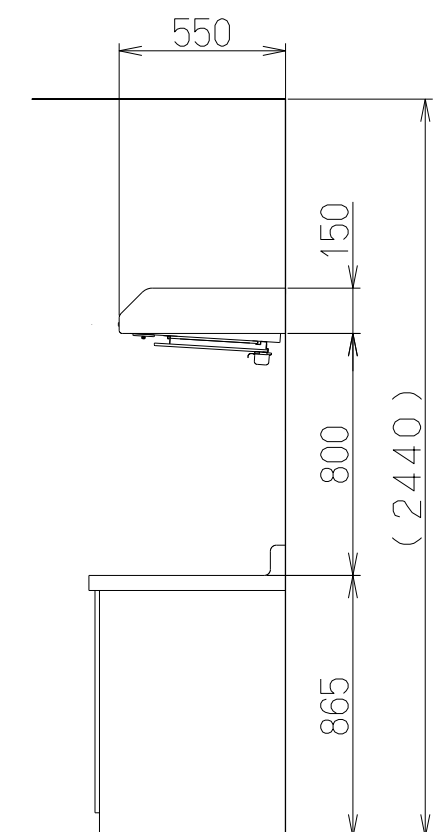
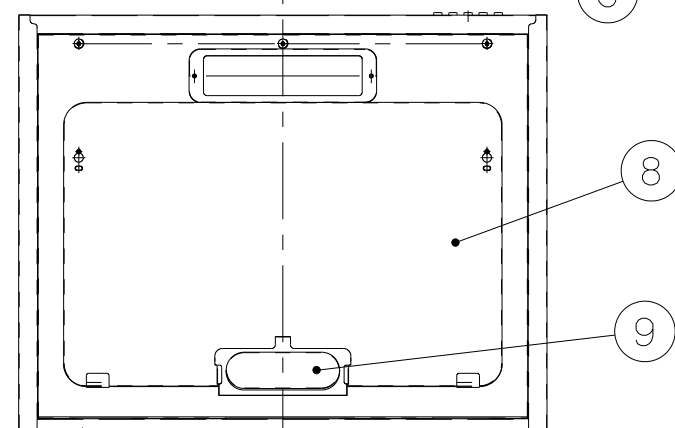
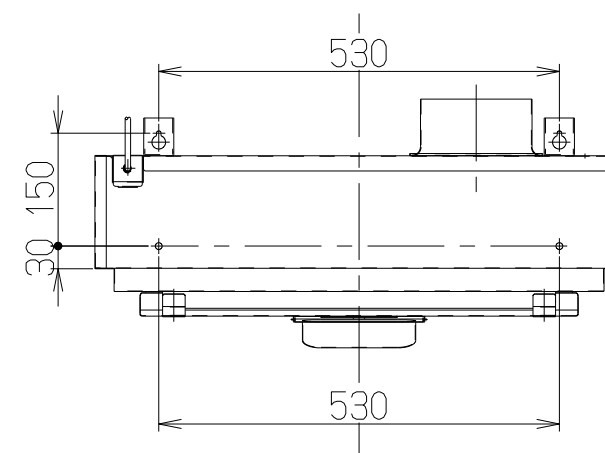
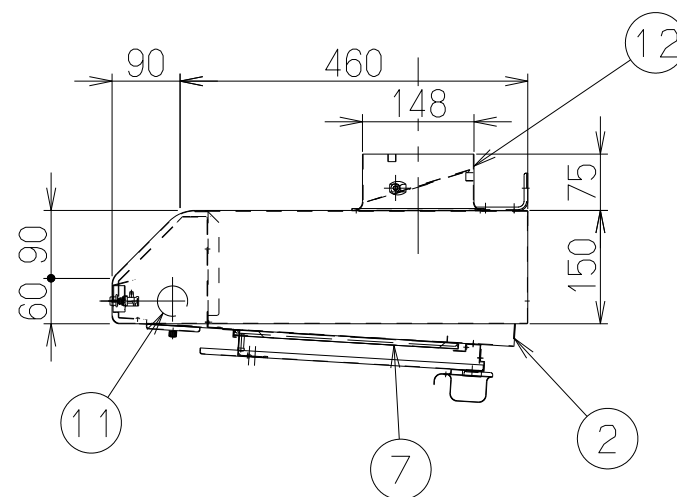
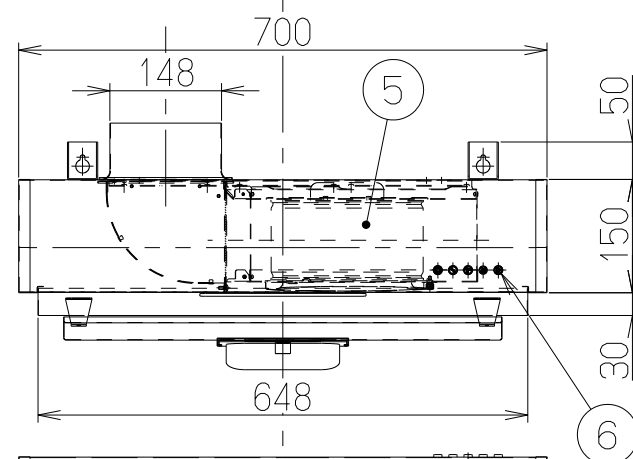


Mark	Revised record	Date
△		



Accessories
 Round washer head Screw (φ5.1 x 45mm), 4pcs
 Exhaust port, 1pc
 Soft tape, 1pc
 Hanging bracket, 2pcs
 Oil tray, 1pc

Detail: Installation hole



Standard Installation

Major Parts				
No.	Parts	Material	Finish	Color
1	Hood	Galvanized steel	Polyester painting	Refer to column.
2	Hood cover	Galvanized steel	Polyester painting	Refer to column.
3	Casing	Galvanized steel		
4	Motor	4 pole capacitor motor, class E		
5	Fan	Fluorine coated	Fluorine coated	
6	Switch	Mechanical switch (Off, Low, Med, Hi, Light)		
7	Filter	Galvanized steel	Slotted filter (Fancy Clean coating, Black)	
8	Rectifier baffle panel	Galvanized steel	Polyester painting	Refer to column.
9	Oil tray	Galvanized steel	Fancy Clean coating, Black	*Accessories
10	Power supply cord	Cable with plug		
11	Lighting	CFL 1pc (240V, 8W, E14)		
12	Exhaust port	Galvanized steel	Shutter is attached.	*Accessories

Specifications (Power consumption with lighting.)

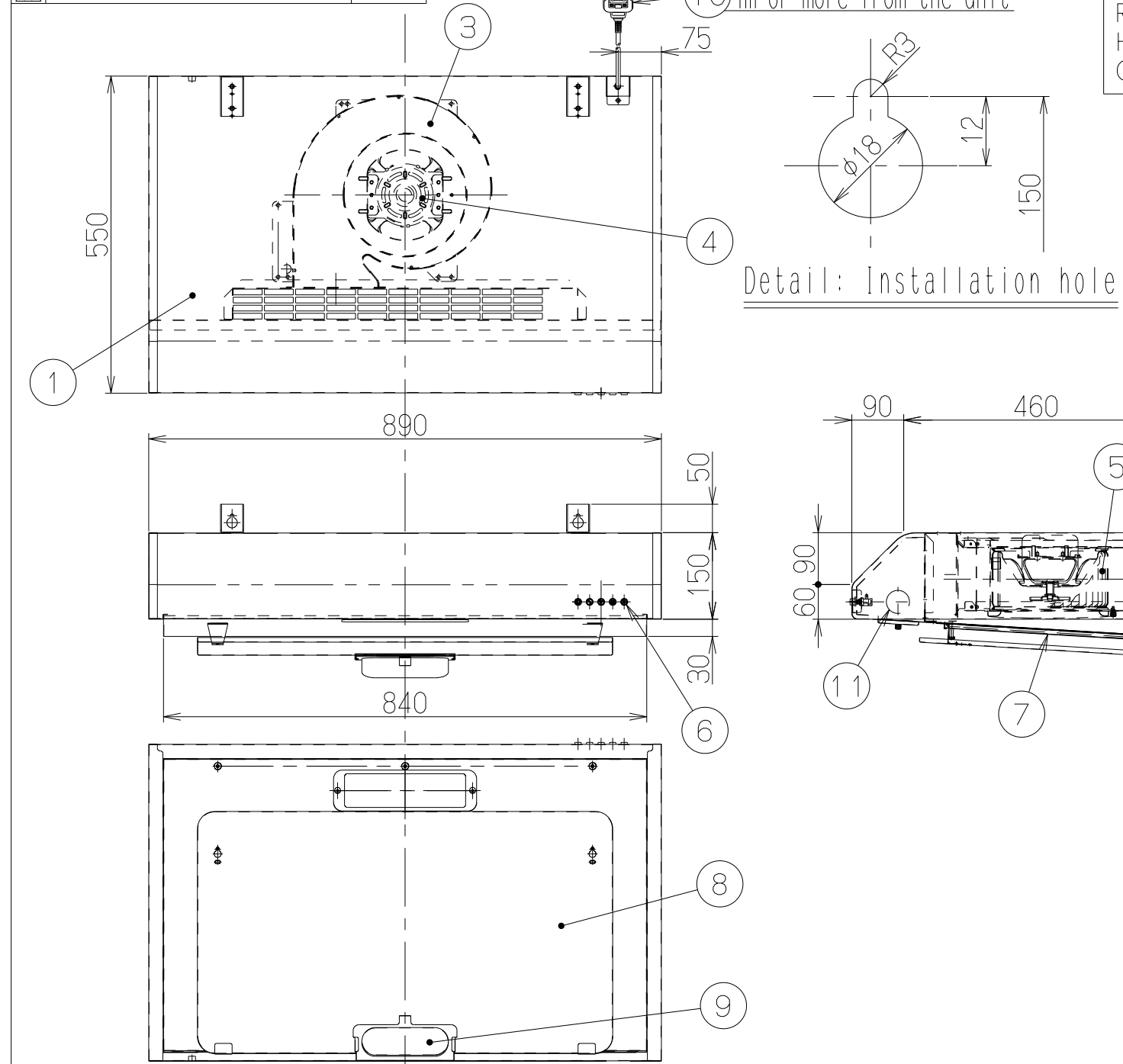
Model	Voltage (V)	Speed	Frequency (Hz)	Power consumption (W)		Airflow (m ³ /h)		Sound (dB)	Weight (kg)
				0 Pa		0 Pa			
FS-700V	220	Hi	50	113	580	—	51	15	
		Med		83	435	—	44		
		Low		63	345	—	38		
	230	Hi	50	123	595	—	52		
		Med		88	460	—	45		
		Low		68	365	—	39		
240	Hi	50	128	610	—	52			
	Med		93	480	—	46			
		Low		73	380	—	41		

Motor class	4 Pole capacitor motor	Insulation resistance	Over 10MΩ (500V megger)	Withstanding voltage	AC1000V for 1 min	Insulation class	E
-------------	------------------------	-----------------------	-------------------------	----------------------	-------------------	------------------	---

Airflow measured by JIS C9603 chamber method

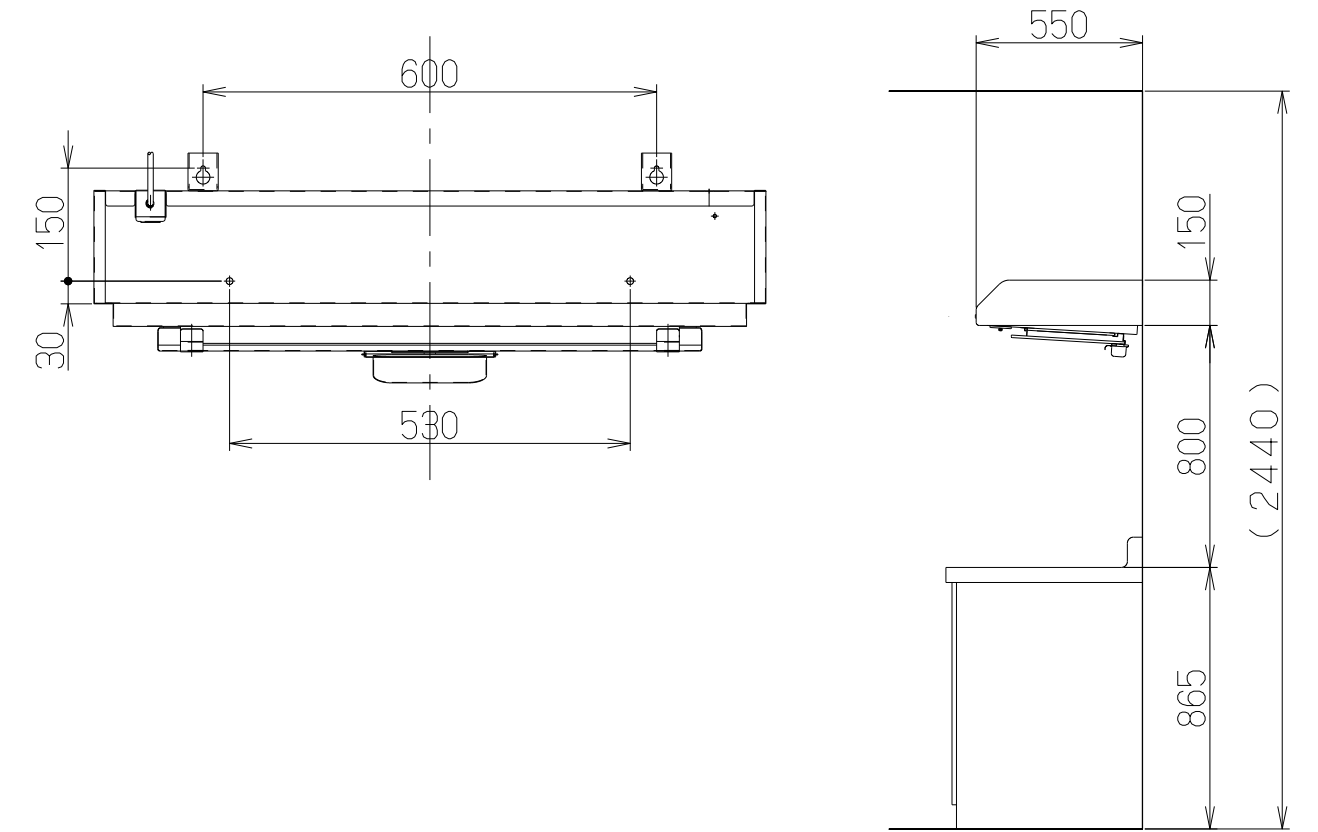
FS-700V CM	1F9041AK	Champagne metallic	—
FS-700V RS	1F9041AJ	Rich silver	—
FS-700V SM	1F9041AA	Silver metallic	—
FS-700V W	1F9041XP	White	—
Model	Product code	Color	Note
Created date	10/03/2016	Product category	Cooker Hood
Updated date	**/**/****	Model	FS-700V
FUJI INDUSTRIAL CO., LTD.	Scale	1/10	Product outline drawing

Mark	Revised record	Date
△		



Accessories
 Round washer head Screw (φ5.1 x 45mm), 4pcs
 Hanging bracket, 2pcs
 Oil tray, 1pc

Major Parts				
No.	Parts	Material	Finish	Color
1	Hood	Galvanized steel	Polyester painting	Refer to column.
2	Hood cover	Galvanized steel	Polyester painting	Refer to column.
3	Casing	Galvanized steel		
4	Motor	4 pole capacitor motor, class E		
5	Fan	Galvanized steel	Fluorine coated	
6	Switch	Mechanical switch (Off, Low, Med, Hi, Light)		
7	Filter	Galvanized steel, Slotted filter (Fancy Clean coating, Black)		
8	Rectifier baffle panel	Galvanized steel	Polyester painting	Refer to column.
9	Oil tray	Galvanized steel	Fancy Clean coating, Black	*Accessories
10	Power supply cord	Cable with plug		
11	Lighting	CFL 1pc (240V, 8W, E14)		



Standard Installation

Specifications (Power consumption with lighting.)

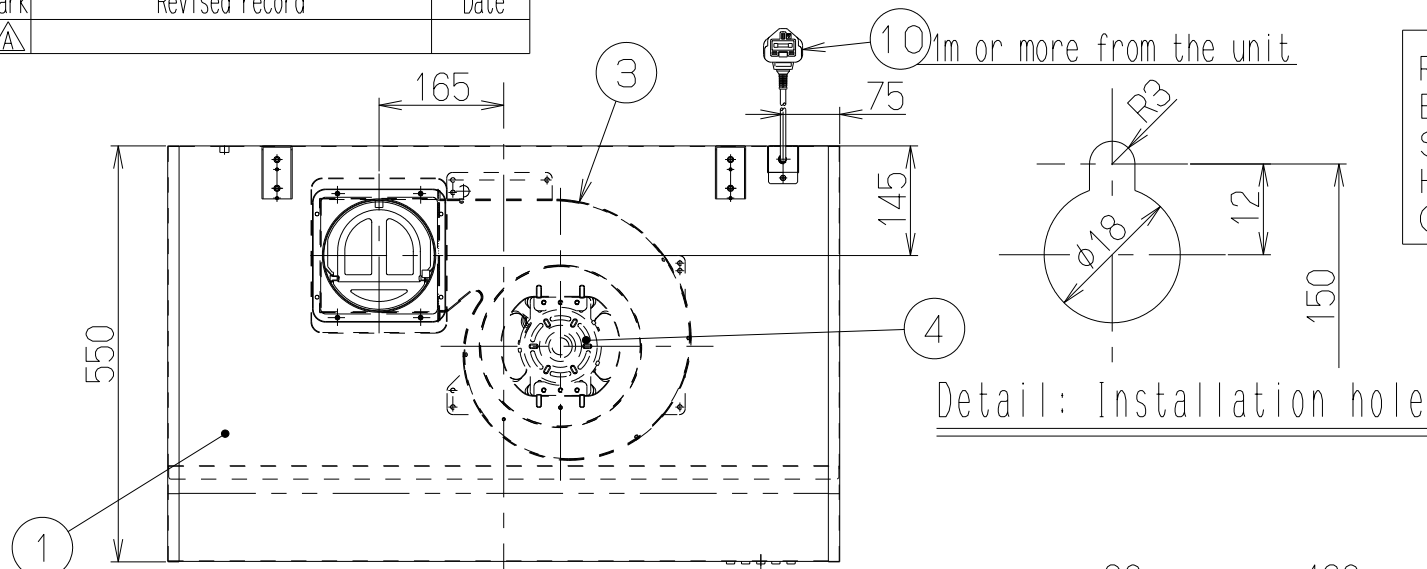
Model	Voltage (V)	Speed	Frequency (Hz)	Power consumption (W)		Airflow (m ³ /h)		Sound (dB)	Weight (kg)
				Power consumption	Airflow (m ³ /h)	0 Pa			
FS-890R	220	Hi	50	113	525	—	53	17	
		Med		83	405	—	46		
		Low		63	320	—	40		
	230	Hi	50	118	545	—	54		
		Med		88	425	—	47		
		Lo		68	340	—	42		
240	Hi	50	123	550	—	54			
	Med		93	440	—	49			
		Lo		68	355	—	43		

Motor class	4 Pole capacitor motor	Insulation resistance	Over 10MΩ (500V megger)	Withstanding voltage	AC1000V for 1 min	Insulation class	E
-------------	------------------------	-----------------------	-------------------------	----------------------	-------------------	------------------	---

Airflow measured by JIS C9603 chamber method

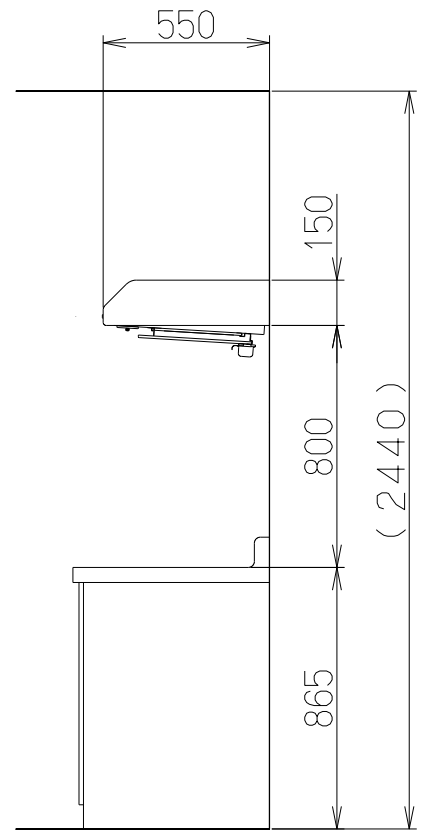
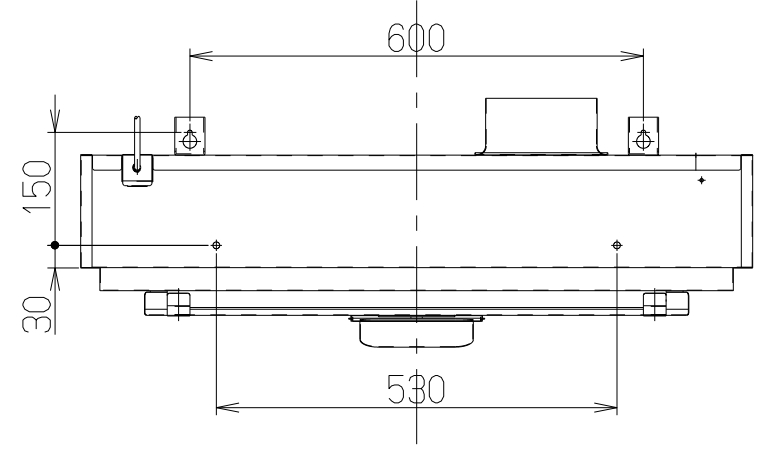
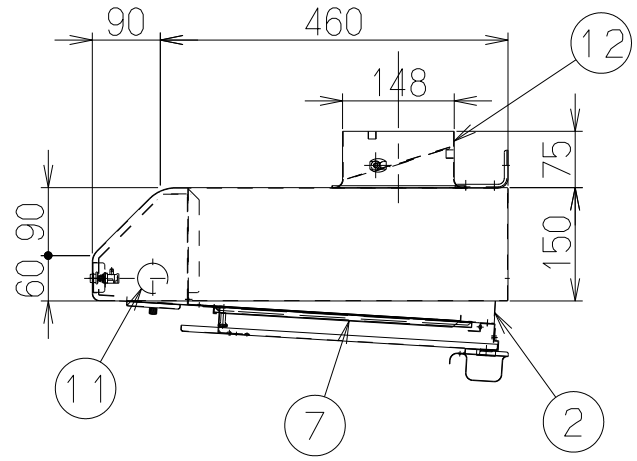
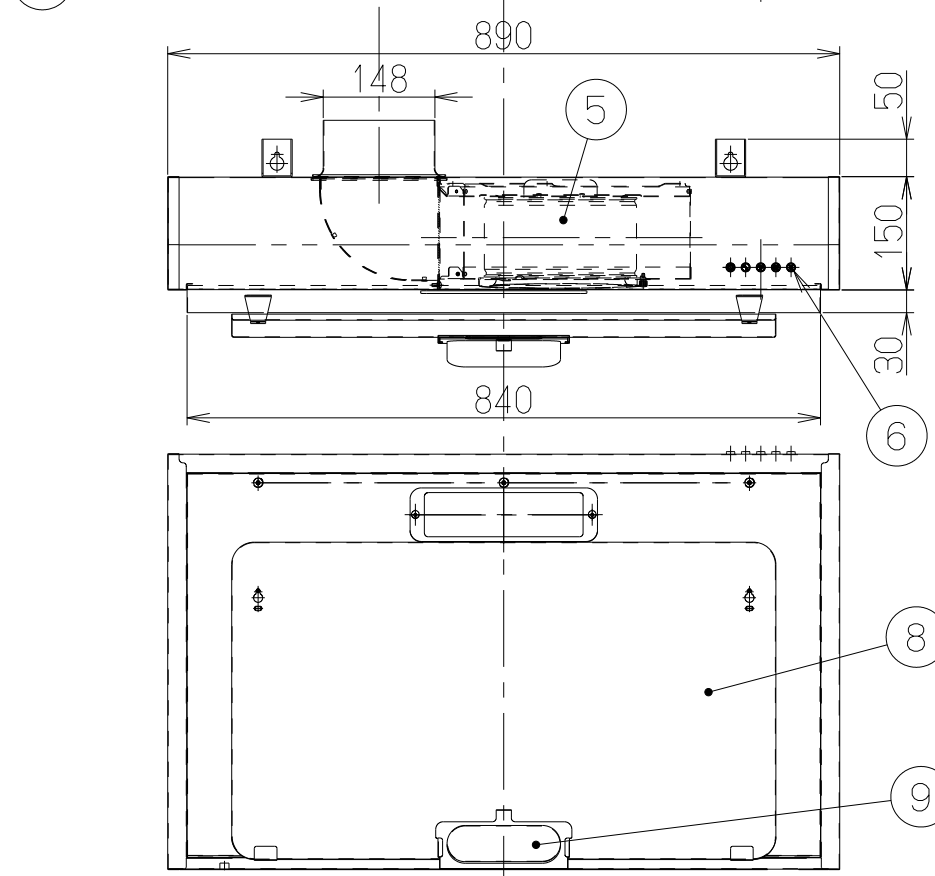
FS-890R CM	1F9043AK	Champagne metallic	—
FS-890R RS	1F9043AJ	Rich silver	—
FS-890R SM	1F9043AA	Silver metallic	—
FS-890R W	1F9043XP	White	—
Model	Product code	Color	Note
Created date	10/04/2016	Product category	Cooker Hood
Updated date	**/**/****	Model	FS-890R
FUJI INDUSTRIAL CO., LTD.	Scale	1/10	Product outline drawing

Mark	Revised record	Date
△		



- Accessories
- Round washer head Screw (φ5.1 x 45mm), 4pcs
 - Exhaust port, 1pc
 - Soft tape, 1pc
 - Hanging bracket, 2pcs
 - Oil tray, 1pc

Major Parts				
No.	Parts	Material	Finish	Color
1	Hood	Galvanized steel	Polyester painting	Refer to column.
2	Hood cover	Galvanized steel	Polyester painting	Refer to column.
3	Casing	Galvanized steel		
4	Motor	4 pole capacitor motor, class E		
5	Fan	Galvanized steel	Fluorine coated	
6	Switch	Mechanical switch (Off, Low, Med, Hi, Light)		
7	Filter	Galvanized steel	Slotted filter (Fancy Clean coating, Black)	
8	Rectifier baffle panel	Galvanized steel	Polyester painting	Refer to column.
9	Oil tray	Galvanized steel	Fancy Clean coating, Black	*Accessories
10	Power supply cord	Cable with plug		
11	Lighting	CFL 1pc (240V, 8W, E14)		
12	Exhaust port	Galvanized steel	Shutter is attached.	*Accessories



Standard Installation

Specifications (Power consumption with lighting.)

Model	Voltage (V)	Speed	Frequency (Hz)	Power consumption (W)		Airflow (m ³ /h)		Sound (dB)	Weight (kg)
				0 Pa		0 Pa			
FS-890V	220	Hi	50	113	550	—	52	17	
		Med		83	420	—	45		
		Low		63	330	—	40		
	230	Hi	50	118	565	—	53		
		Med		88	445	—	47		
		Low		68	350	—	41		
240	Hi	50	123	575	—	53			
	Med		93	460	—	48			
		Low		68	370	—	42		

Motor class	4 Pole capacitor motor	Insulation resistance	Over 10MΩ (500V megger)	Withstanding voltage	AC1000V for 1 min	Insulation class	E
-------------	------------------------	-----------------------	-------------------------	----------------------	-------------------	------------------	---

Airflow measured by JIS C9603 chamber method

FS-890V CM	1F9042AK	Champagne metallic	—
FS-890V RS	1F9042AJ	Rich silver	—
FS-890V SM	1F9042AA	Silver metallic	—
FS-890V W	1F9042XP	White	—
Model	Product code	Color	Note

Created date	10/04/2016	Product category	Cooker Hood
--------------	------------	------------------	-------------

Updated date	**/**/****	Model	FS-890V
--------------	------------	-------	---------

FUJI INDUSTRIAL CO., LTD.	Scale	1/10	Product outline drawing
---------------------------	-------	------	-------------------------