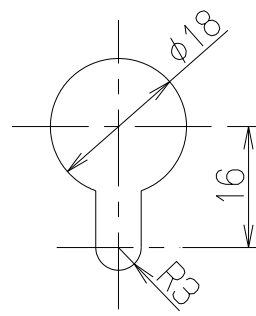
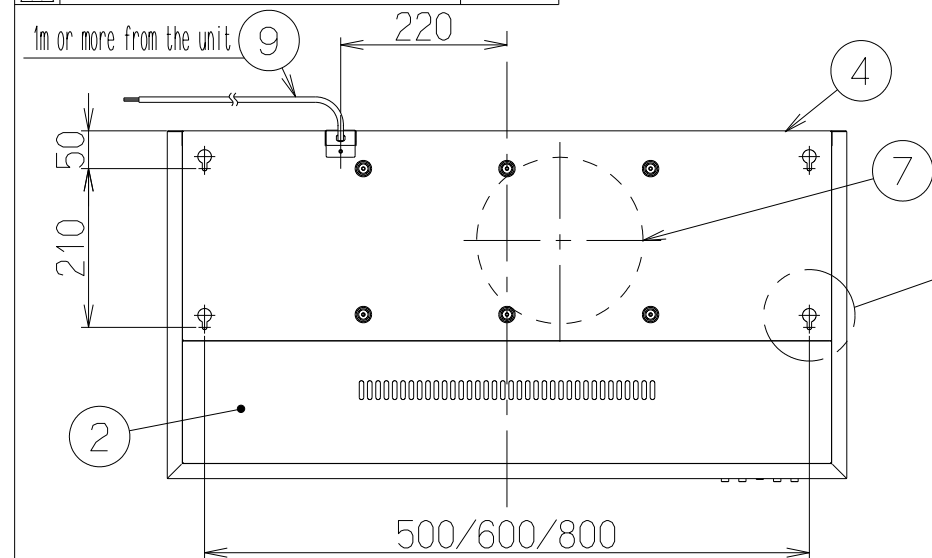
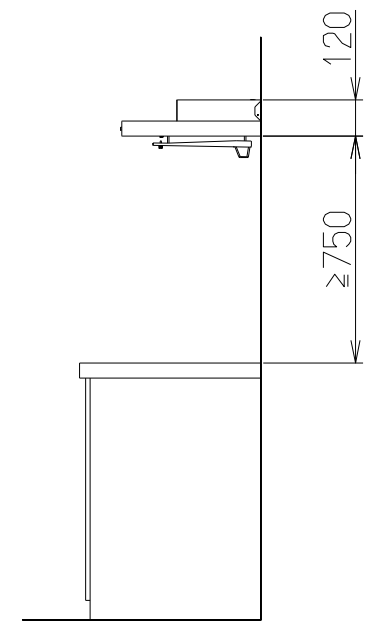
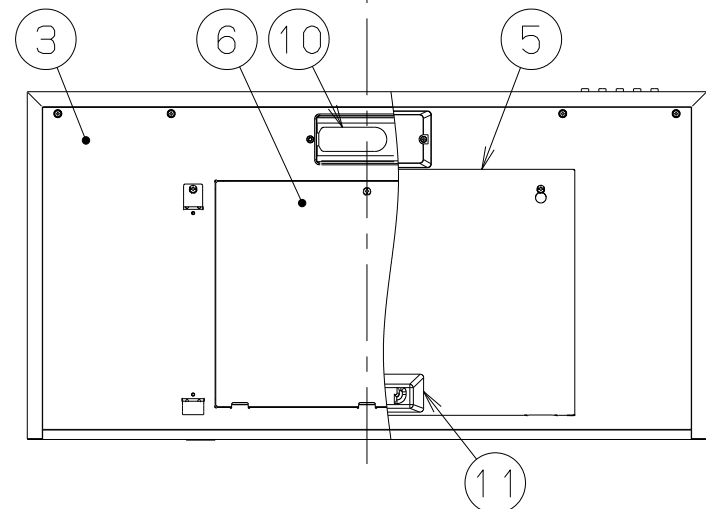
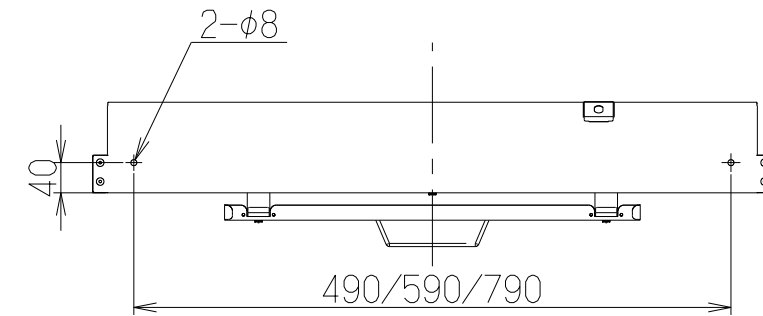
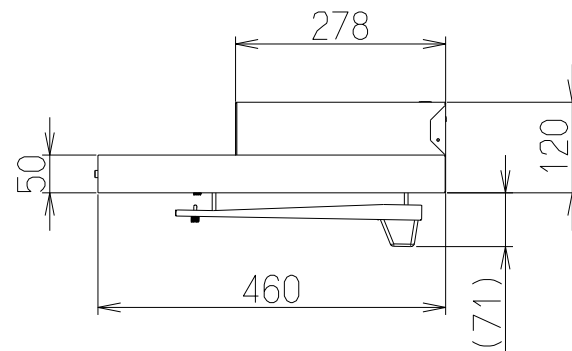
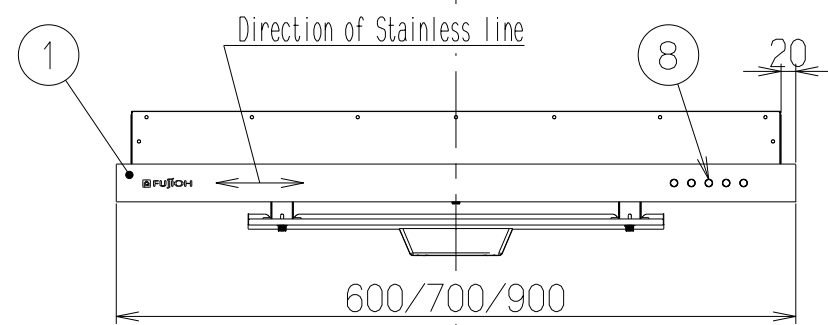


Mark	Revised record	Date
------	----------------	------



Accessories  
Round washer head screw (φ5.1 x 25mm) --6pcs

Detail: Installation hole



Standard Installation

Major Parts				
No.	Parts	Material	Finish	Color
1	Hood frame	Stainless steel	Hairline	
2	Hood top plate	Stainless steel	Hairline	
3	Oil panel	Galvanized steel	Painting	Silver metallic
4	Body	Galvanized steel	Painting	Silver metallic
5	Rectifier baffle panel	Galvanized steel	Painting	Silver metallic
6	Filter	Aluminum slotted filter		
7	Fan motor	4 pole capacitor motor, class B		
8	Switch	Mechanical switch (Off, Low, Med, Hi, Light)		
9	Power supply cord	Cable cable		
10	Lighting	Mini light bulb 1pc (240V, 28W, E14)		
11	Oil tray	Polycarbonate		*Accessories

Specifications (Power consumption with lighting.)

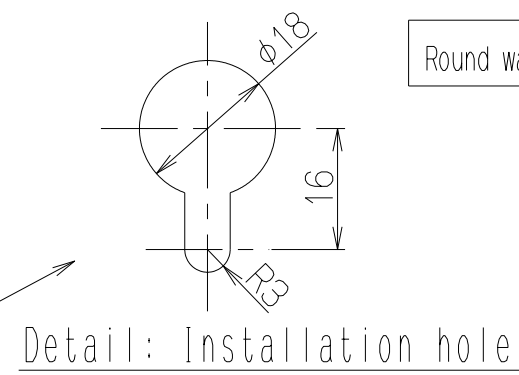
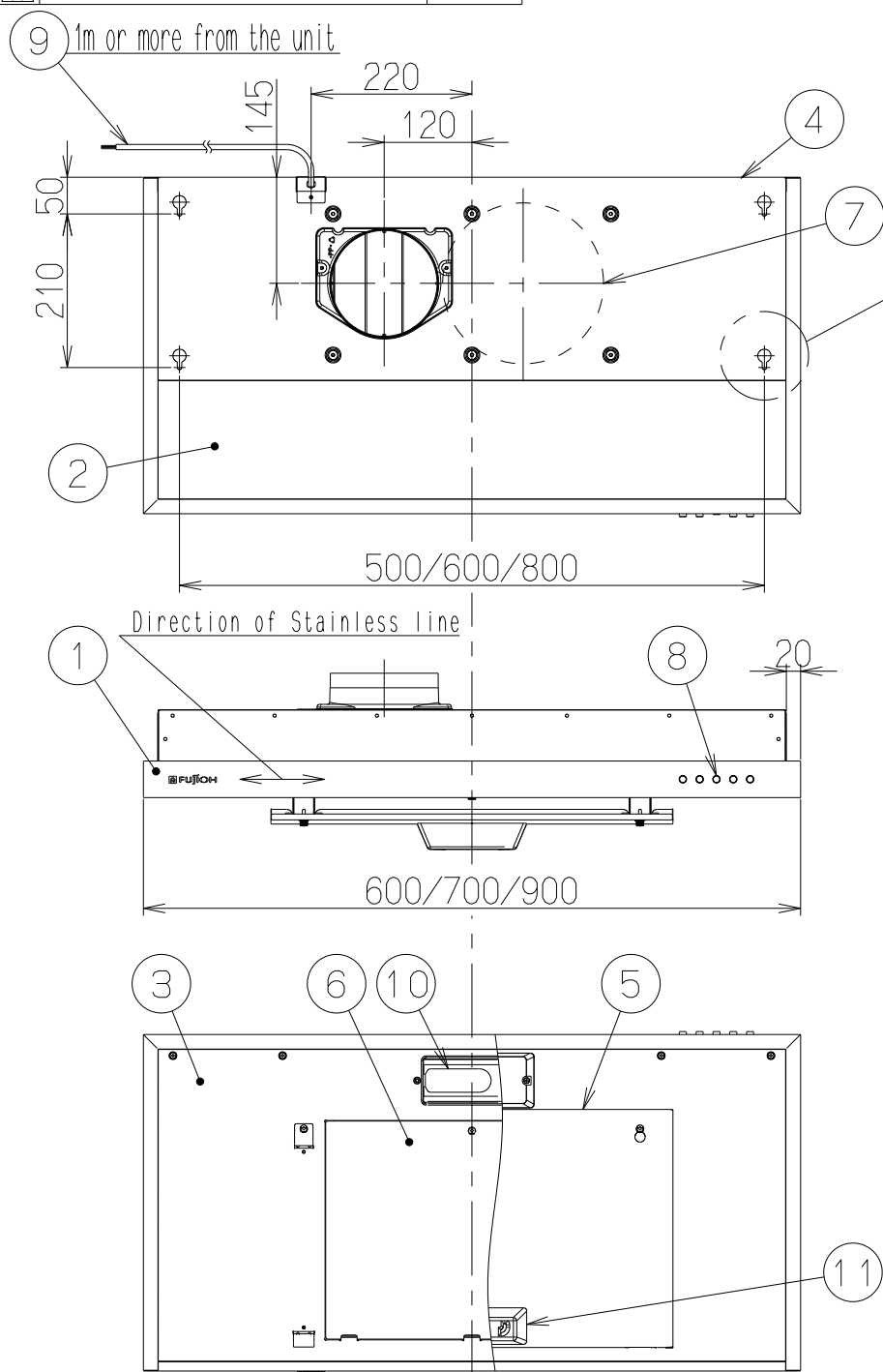
Model	Voltage (V)	Speed	Frequency (Hz)	Power consumption (W)	Airflow (m <sup>3</sup> /h)		Sound (dB)	Weight (kg)
					0 Pa			
SLM-600R	220	Hi	50	123	190		59	9.0
		Med		113	130		49	
		Low		103	90		39	
SLM-700R	230	Hi	50	133	190		59	9.5
		Med		118	140		51	
		Low		108	100		41	
SLM-900R	240	Hi	50	143	195		60	10.5
		Med		123	150		52	
		Low		113	110		43	

Motor class	4 Pole capacitor motor	Insulation resistance	Over 10MΩ (500V megger)	Withstanding voltage	AC1000V for 1 min	Insulation class	B
-------------	------------------------	-----------------------	-------------------------	----------------------	-------------------	------------------	---

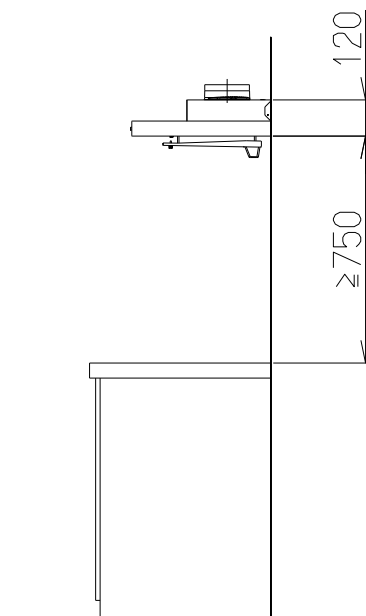
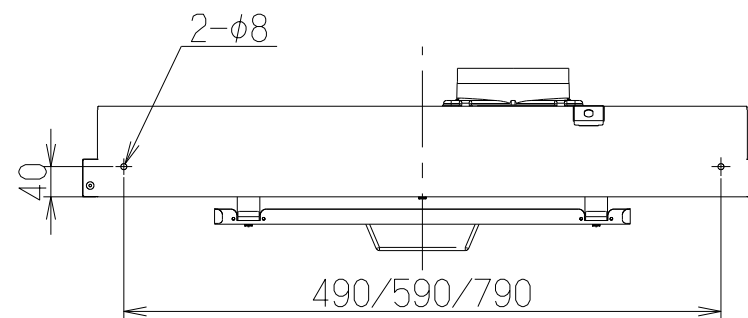
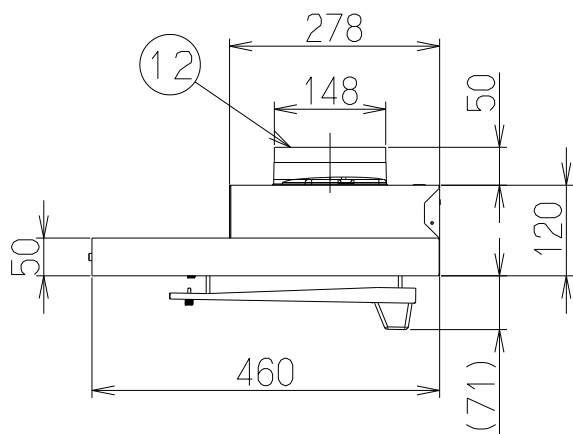
Airflow measured by JIS C9603 chamber method

SLM-900R	---	Stainless steel	---
SLM-700R	---	Stainless steel	---
SLM-600R	---	Stainless steel	---
Model	Product code	Color	Note
Created date	9/27/2016	Product category	Cooker Hood
Updated date	**/**/****	Model	SLM-600/700/900R
FUJI INDUSTRIAL CO., LTD.	Scale	1/10	Product outline drawing

Mark	Revised record	Date
△		



Accessories  
Round washer head screw (φ5.1 x 25mm), 6pcs



Standard Installation

Major Parts				
No.	Parts	Material	Finish	Color
1	Hood frame	Stainless steel	Hairline	
2	Hood top plate	Stainless steel	Hairline	
3	Oil panel	Galvanized steel	Painting	Silver metallic
4	Body	Galvanized steel	Painting	Silver metallic
5	Rectifier baffle panel	Galvanized steel	Painting	Silver metallic
6	Filter	Aluminum slotted filter		
7	Fan motor	4 pole capacitor motor, Class B		
8	Switch	Mechanical switch (Off, Low, Med, Hi, Light)		
9	Power supply cord	Cable		
10	Lighting	Mini light bulb 1pc (240V, 28W, E14)		
11	Oil tray	Polycarbonate		*Accessories
12	Exhaust port	Plastic	Shutter is attached.	

Specifications (Power consumption with lighting.)

Model	Voltage (V)	Speed	Frequency (Hz)	Power consumption (W)		Airflow (m <sup>3</sup> /h)		Sound (dB)	Weight (kg)
				0 Pa		0 Pa			
SLM-600V	220	Hi	50	128	490	—	59	9.0	
		Med		123	255	—	45		
		Low		108	195	—	37		
SLM-700V	230	Hi	50	138	495	—	59	9.5	
		Med		128	285	—	48		
SLM-900V	240	Low	50	113	205	—	38	10.5	
		Hi		148	500	—	60		
		Med		133	320	—	49		
		Low		123	220	—	40		

Motor class	4 Pole capacitor motor	Insulation resistance	Over 10MΩ (500V megger)	Withstanding voltage	AC1000V for 1 min	Insulation class	B
-------------	------------------------	-----------------------	-------------------------	----------------------	-------------------	------------------	---

Airflow measured by JIS C9603 chamber method

SLM-900V	—	Stainless steel Hairline finish	—
SLM-700V	—	Stainless steel Hairline finish	—
SLM-600V	—	Stainless steel Hairline finish	—
Model	Product code	Color	Note
Created date	10/05/2016	Product category	Cooker Hood
Updated date	**/**/****	Model	SLM-600/700/900V
FUJI INDUSTRIAL CO., LTD.	Scale	1/10	Product outline drawing