

# HOOD/ FR-SC1790



OIL TECH Cooker Hood

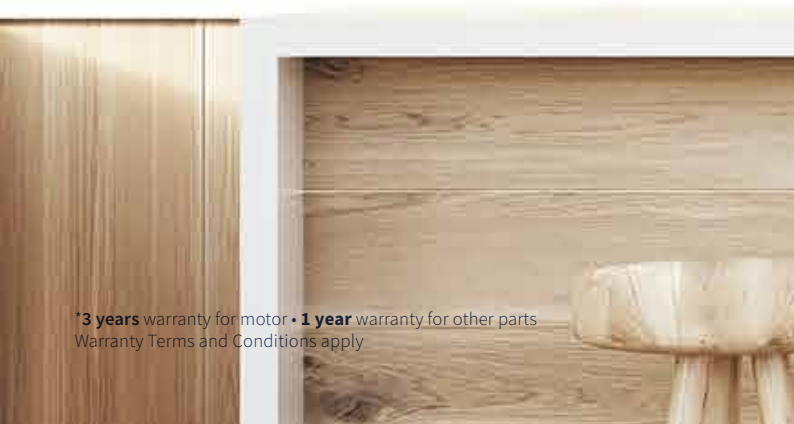
アジア料理のための、  
パワフルなレンジフード。



## Designed for asian cooking

This sleek, sexy hood is elegant in design, but surprisingly tough on oil to stop build-up on your kitchen surfaces.

Three aesthetically gorgeous finishes means there's the perfect Oil Tech cooker hood for your kitchen. Its ergonomic design is not only an eye-catcher, but makes cleaning a breeze. Now all you need to decide is whether you want it to recycle or ventilate. We've thought of everything.



\*3 years warranty for motor • 1 year warranty for other parts  
Warranty Terms and Conditions apply

# -FUJIOH-

## ADVANCE FUNCTION



### 01/ FUJIOH OIL TECH Technology



The FUJIOH OIL TECH Cooker Hood is specially designed for the heavy and oily Asian cooking in mind. As the fumes are captured, the oil separation process integrated in our Fujioh technology filtrates the fumes into oil, and into the oil tray with the help of the rectifier panel, aqua slit filter, and sirocco fan. Each OIL TECH component helps improve your quality of life in the kitchen.

### 02/ Advanced Technology in Fume Capturing



- Adjustable suction from bottom of Rectifier Panel to improve suction power from upper, left, and right side
- Capture more fumes efficiently

### 03/ Easy Cleaning



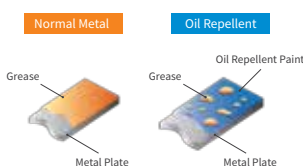
#### Smooth Curve Surface

- No steps and lines on the surface
- Easy to wipe in all directions

#### Aqua Slit Filter



- Hydrophilic Coating
- The filter can be easily washed with only water easily



#### Oil Repellent Paint

- Oil repellent paint is processed on all surfaces
- Easy to wipe and clean

### 04/ Advance Function



- Electrostatic Touch Switch with Glass Panel
- Timer Control (3 minutes)
- LED Lighting

## COLORS



SM/ Silver Metallic

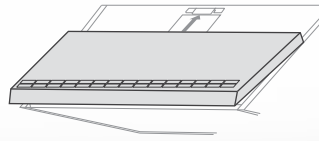


W/ White



RS/ Rich Silver

## PARTS INCLUDED

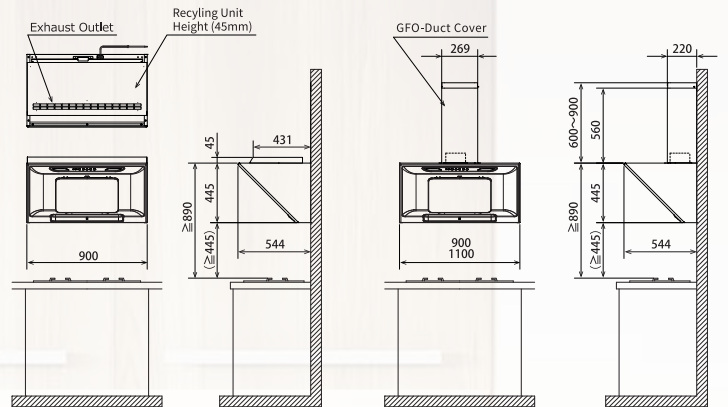


Recycling Unit  
(Only for FR-SC1790R)



GFO-Duct Cover  
(Only for FR-SC1790V/11V)

## INSTALLATIONS



\*Product images are for illustrative purposes only and may differ from the actual product.

FR-SC1790R (Recycling) [mm]

FR-SC1790V/11V (Ventilating) [mm]

## SPECIFICATIONS

Type	FR-SC1790R (RECYCLING)	FR-SC1790V/11V (VENTILATING)
Material	(Body) SGCC (Switch Panel) Glass	
Dimensions [mm]	W900 x D544 x H490	W900/1000 x D544 x H1045~1345
Weight [kg]	(900) 21	(900) 21/(1100) 23
Power Consumption [W] (220/230/240V)	160/170/180	160/170/180
Voltage [V/Hz]	220, 230, 240/50	
Duct Diameter [mm]	Φ150	
Air Flow [m <sup>3</sup> /h] (220/230/240V)	495/500/505	700/705/710
Sound Level [dB] (220/230/240V)	52/52/52	55/55/56
Oil Capturing Ratio [%]	92	85
Switch	Touch Switch	
Speed	3 Speed	
Hood Body	Oil repellent paint	
Rectifier Panel	Oil repellent paint	
Filter	Aqua Slit Filter (Hydrophilic Coating)	
Oil Tray	Oil repellent paint	
Lighting	LED 1.5W x 2	

\*All specification are based on stringent in-house test results conducted in Fuji Industrial Co. Ltd, Japan

