

# HOOD/ FR-MT1990

楽しい料理の、  
強い味方。

**3** COOKER HOOD  
LIMITED WARRANTY\*  
YEARS

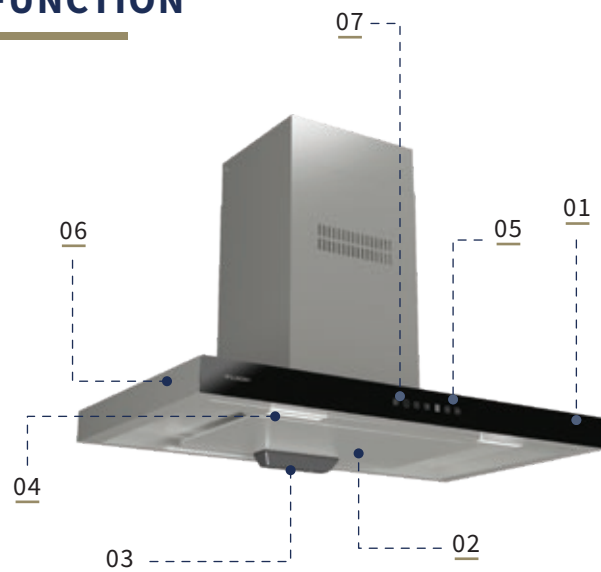


## Cooking will never be a hassle again

Our cooking hood not only adds value, but it compliments well with your gas hob not only aesthetically but functionally as well. The spectacular improvement on its oil capturing ratio, sets a bar higher in ensuring that your kitchen will remain spick and span even while you are whipping up marvellous dishes. Leaving your kitchen with a cleaner and fresher aftermath!

# -FUJIOH-

## ADVANCE FUNCTION



**01/** Glossy Glass Panel with  
Touch Control

**02/** Easy Cleaning

Aqua Slit Filter

- Hydrophilic Coating
- The filter can be easily washed with only water



**03/** High Oil Capturing Ratio with  
rectifier panel and oil tray

- 94% oil capturing ratio (recycling type)

**04/** Eco LED Lighting

**05/** Timer

- 3/6/9 mins

**06/** Rust Resistant Material

- All stainless parts at exterior are SUS304

**07/** Safety Feature

- Auto stop after 5 hours of non-stop operation period

\*3 years warranty for motor • 1 year warranty for other parts  
Warranty Terms and Conditions apply

## COLORS

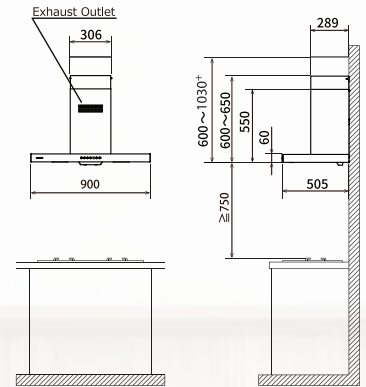


**GBK/ Glass Black**

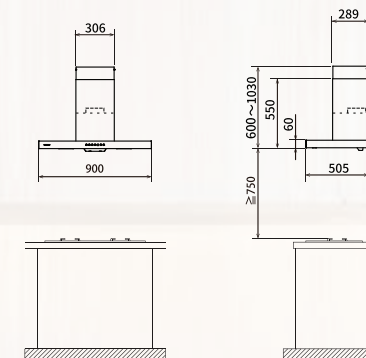


**GCM/ Glass Champagne Metallic**

## INSTALLATIONS



FR-MT1990R (Recycling) [mm]



FR-MT1990V (Ventilating) [mm]

\*Product images are for illustrative purposes only and may differ from the actual product.

## SPECIFICATIONS

Type	FR-MT1990R ( <b>RECYCLING</b> )	FR-MT1990V ( <b>VENTILATING</b> )
Dimensions [mm]	W900 x D505 x H600~650 *Optional extension duct cover H600 ~ 1030	W900 x D505 x H600~1030
Weight [kg]	16.5	
Power Consumption [W] (220/230/240V)	126/134/143	195/211/226
Voltage (V/Hz)	220,230,240/50	
Duct Diameter [mm]	-	Φ150
Sound Level [dB] (220/230/240V)	56/56/57	50/51/52
Oil Capturing Ratio [%]	94	84
Switch	Touch Switch	
Speed	3 Speeds	
Timer	3/6/9 mins	
Hood Body	SUS304	
Rectifier Panel	SUS304	
Filter	Aqua Slit Filter (Hydrophilic Coating)	
Lighting	LED 1.5W x 2	

\*All specification are based on stringent in-house test results conducted in Fuji Industrial Co. Ltd, Japan

