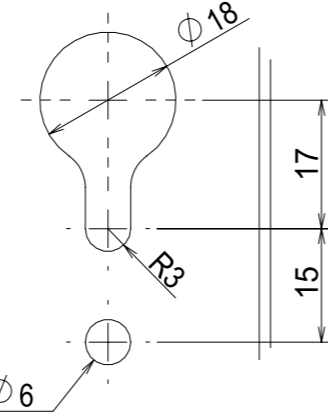
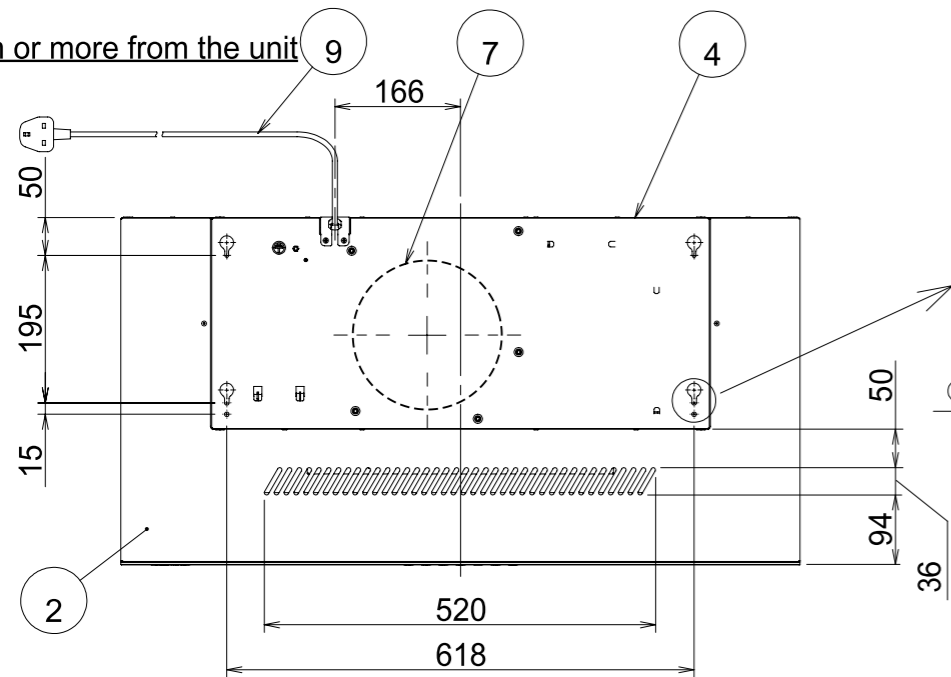


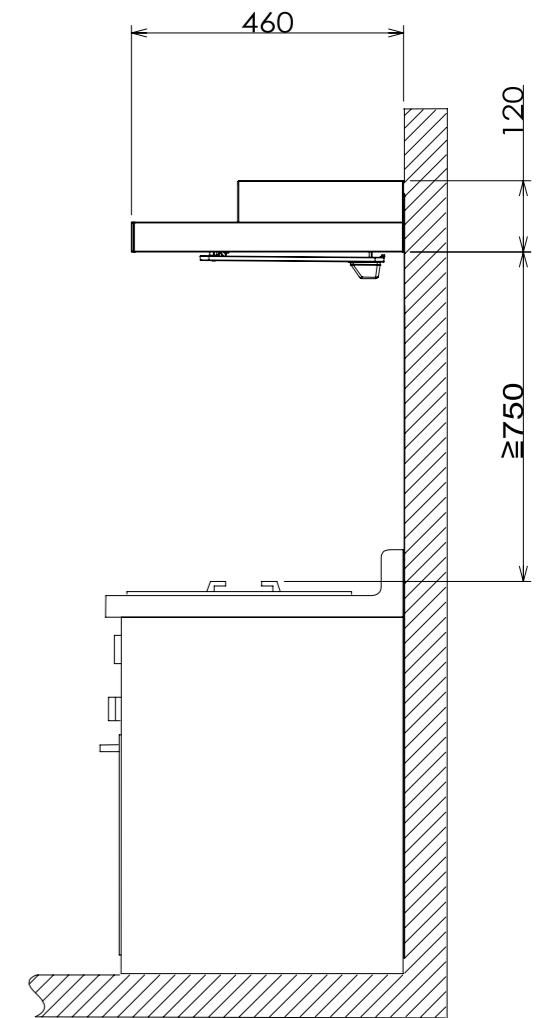
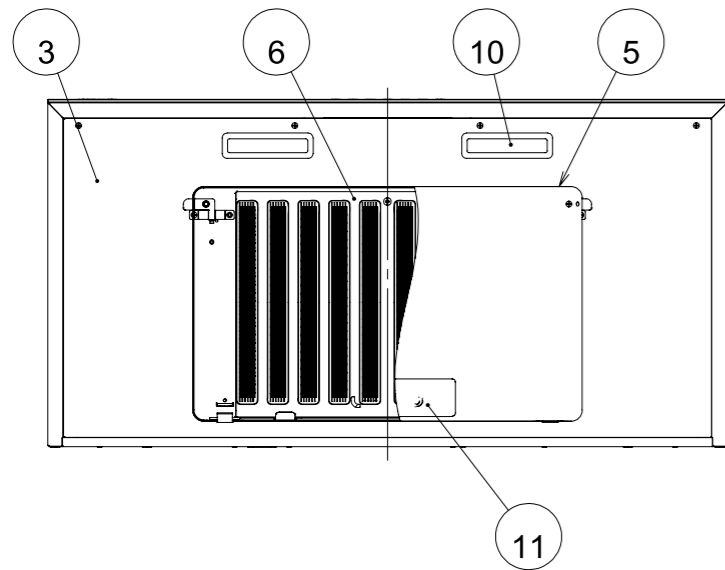
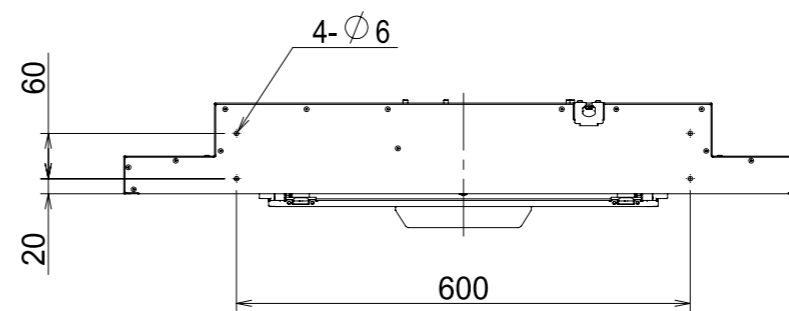
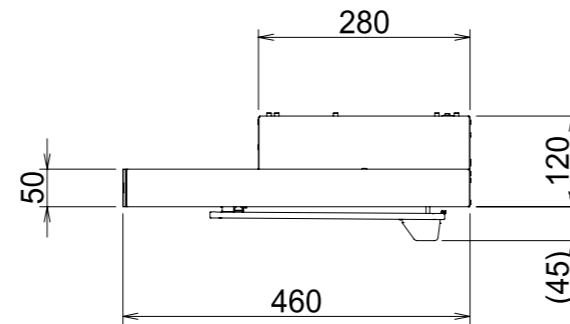
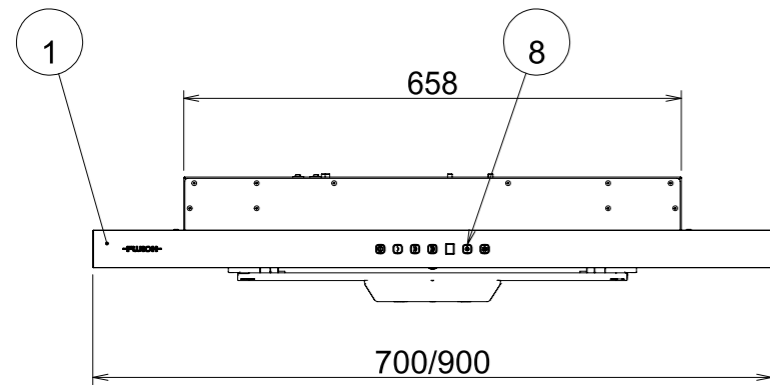
1m or more from the unit



Detail: Installation hole

Accessories	
Flat washer	6pcs
ST5×40 Wood screw	6pcs
Plastic expansion pipe	6pcs
ST4.2×16 Flat head screw	4pcs

Major Parts				
No.	Parts	Material	Finish	Color
1	Hood front plate	Toughened Glass		
2	Hood frame	Stainless steel	No,4	
3	Oil panel	Stainless steel	No,4	
4	Body	Galvanized steel		
5	Rectifier baffle panel	Stainless steel	No,4	
6	Filter	Galvanized steel(Aqua Slit Filter,1 layer)		
7	Fan motor	4 Pole capacitor motor,class F		
8	Switch	Static electrical switch(On/Off,Low,Med,Hi,Timer,Light)		
9	Power supply cord	Cabtire cable		
10	Lighting	LED(Daylight white color),1.5W×2pc		
11	Oil tray	Polycarbonate		*Accessories



Standard Installation

Specifications(Power consumption with lighting.)

Model	Voltage (V)	Speed	Frequency (Hz)	Power consumption (W)	Airflow(m <sup>3</sup> /h)		Sound (db)	Weight (kg)
					0Pa	-		
FR-MS1970R FR-MS1990R	220	Hi	50	141	245	-	53	9.9 10.6
		Med		105	175	-	44	
		Low		100	135	-	37	
	230	Hi	50	148	260	-	55	
		Med		124	185	-	45	
		Low		108	145	-	39	
240	Hi	50	163	275	-	56		
	Med		134	195	-	47		
	Low		115	150	-	40		

Motor class	4 Pole capacitor motor	insulation resistance	Over 10MΩ (500V megger)	Withstanding voltage	AC1000V for 1 min	Insulation class	F
-------------	------------------------	-----------------------	-------------------------	----------------------	-------------------	------------------	---

Airflow measured by JIS C9603 chamber method

FR-MS1990RGCM	—	Champagne metallic glass /Stainless steel	—
FR-MS1990RGBK	—	Black glass /Stainless steel	—
FR-MS1970RGCM	—	Champagne metallic glass /Stainless steel	—
FR-MS1970RGBK	—	Black glass /Stainless steel	—
Model	Product code	Color	Note
Created date	23/5/2019	Product category	Hood
Updated date		Model	FR-MS1970/90R
<b>-FUJIOH-</b>		Scale	1/10
Product outline drawing			

Mark	Revised record	Date
△		