

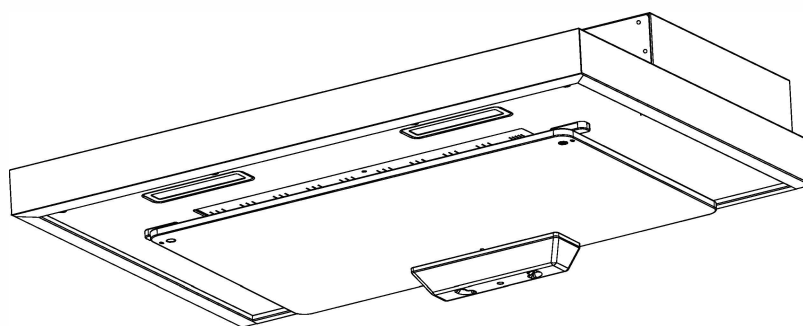
**-FUJIOH-**

# Cooker Hood

**FR-MS1970V/1990V (Ventilating Type)**

**FR-MS1970R/1990R (Recycling Type)**

## Installation/ Operation Manual



### TABLE OF CONTENTS

<b>Safety Precautions</b> .....	2~5	Operation Check .....	13
Precaution on Use .....	5	<b>Maintenance</b> .....	13~15
<b>Preparation</b> .....	6, 7	Caution for Maintenance .....	13
Name of Parts .....	6, 7	Detaching/Attaching .....	14, 15
Switch .....	7	Cleaned Parts	
<b>Installation</b> .....	8~13	Cleaning .....	15
Preparation and Check .....	8, 9	<b>Other Information</b> .....	16, 17
before Installation		Specifications .....	16
Cooker Hood Installation .....	10~12	Circuit Diagram .....	16
		Troubleshooting .....	17
		Service and Warranty .....	17

**To the sales shop/installer:  
After installation, please give  
this manual to the user  
without fail.**

**Thank you very much for your purchase of our cooker hood.  
Before installing/operating the cooker hood, please read this Manual thoroughly.  
Keep this manual in a convenient place for future reference.**

# Safety Precautions

- Read the following safety instructions before operating, and use the cooker hood properly and securely.
- These instructions are for correct operation of the product to prevent any risk of hazards or damages inflicting on you or others. The instructions are classified into 2 categories as “WARNING” and “CAUTION” depending on their emergency and severity. Pay attention and strictly observe the instructions as they are critical for safety.













**Alerts possible risk of death or serious injury, if not observed.**








**Alerts possible risk of injury or physical damage, if not observed.**

Safety precautions










## WARNING

- |   |   |
|---|---|
|  Less than 4 burners                             | <ul style="list-style-type: none"> <li>• The cooker hood is intended to be installed over a hob with up to four hob elements or burners.</li> </ul>   |
|  Disassembly, repair, or modification prohibited | <ul style="list-style-type: none"> <li>• Never attempt to disassemble, repair, or modify. Entrust them to the qualified technician, otherwise fire, electric shock, or abnormal performance may occur.</li> </ul>   |
|  Using prohibited                                | <ul style="list-style-type: none"> <li>• Don't connect to the power voltage other than 220V/230V/240V AC. Fire or electric shock may result in.</li> </ul>  |
|  Assembly cautioned                            | <ul style="list-style-type: none"> <li>• Electric wiring must be made properly by the professional installer or personnel. Incorrect wiring may be cause of electric leakage or fire.</li> </ul>  |
|  Mounting cautioned                            | <ul style="list-style-type: none"> <li>• Mounting work should be done by 2 persons minimum. The weight of the cooker hood is about 11kg (FR-MS1970V), 11.2kg (FR-MS1970R), 12.1kg (FR-MS1990V), 12.4kg (FR-MS1990R).</li> </ul>   |
|  Disconnect the plug                           | <ul style="list-style-type: none"> <li>• Be sure to disconnect the power plug from the wall outlet, or switch off the breaker when care and maintenance. Also, don't handle the power plug or breaker with wet hand. Electric shock or injury may result in.</li> </ul> |
|  Wipe off dust                                 | <ul style="list-style-type: none"> <li>• When dust accumulated on the blades of the power plug or on their roots, wipe off well. Fire may result in.</li> </ul>   |
|  Spraying water prohibited                     | <ul style="list-style-type: none"> <li>• Don't spray water on the electric parts. Fire or electric shock may result in.</li> </ul>  |
|  Operation prohibited                          | <ul style="list-style-type: none"> <li>• When there may be a gas leak in your gas hob, don't switch on or off the cooker hood. Gas explosion may result in.</li> </ul>  |
|  Air supply cautioned                          | <ul style="list-style-type: none"> <li>• Choose a mounting location where sufficient air flow is maintained. CO poisoning may result if not ventilated adequately while using a natural vent type stove, etc.</li> </ul>  |

## ⚠ WARNING

- |   |  |
|---|--|
|  <p>Air supply cautioned</p>  | <ul style="list-style-type: none"> <li>● There shall be adequate ventilation of the room when the cooker hood is used at the same time as appliances burning gas or other fuels. (Not applicable to appliances that only discharge the air back into the room.)</li> </ul>   |
|  <p>Ensure adjustment</p>     | <ul style="list-style-type: none"> <li>● Exhaust adjustment must be ensured.</li> </ul>  |
|  <p>Supervision requested</p> | <ul style="list-style-type: none"> <li>● This appliance is not intended for use by person (including children) with reduced physical, sensory or mental capabilities, or lack of experience and knowledge, unless they have been given supervision or instruction concerning use of the appliance by a person responsible for their safety.<br/>Children should be supervised to ensure that they do not play with the appliance.</li> </ul> |
|  <p>Clean frequently</p>      | <ul style="list-style-type: none"> <li>● There is a fire risk if cleaning is not carried out in accordance with the instructions.</li> </ul>   |
|  <p>Flambé prohibited</p>     | <ul style="list-style-type: none"> <li>● Do not flambé under the cooker hood.</li> </ul>   |

## ⚠ CAUTION

- |  |   |
|--|---|
|  <p>Mounting cautioned</p>              | <ul style="list-style-type: none"> <li>● Mount the product securely after selecting a solid place.<br/>Dropping may result injury.</li> </ul>   |
|  <p>Improper discharge prohibited</p>  | <ul style="list-style-type: none"> <li>● The air must not be discharged into a flue that is used for exhausting fumes from appliances burning gas or other fuels (not applicable to appliances that only discharge the air back into the room).</li> </ul>  |
|  <p>Mounting cautioned</p>             | <ul style="list-style-type: none"> <li>● The minimum distance between the supporting surface for the cooking vessels on the hob and the lowest part of the cooker hood. When the cooker hood is located above a hob, this distance shall be at least 650 mm.<br/>If the instructions for installation for the hob specify a greater distance, this has to be taken into account.</li> </ul> |
|  <p>Disconnect by holding the plug</p> | <ul style="list-style-type: none"> <li>● When disconnecting the power plug, hold the plug itself. Don't pull the cord anyway.<br/>The cord may be damaged, and fire or electric shock may result in.</li> </ul>   |
|  <p>Disconnect the plug</p>            | <ul style="list-style-type: none"> <li>● Be sure to disconnect the power plug from the wall outlet, or switch off the breaker when not using for a long time.<br/>Insulation may be deteriorated, and fire or electric shock may result in.</li> </ul>  |
|  <p>Using prohibited</p>               | <ul style="list-style-type: none"> <li>● Never use the product in a wet place such as bath room, etc. (Use a ventilation fan for bath room.)<br/>It may be cause of fire or failure if used.</li> </ul>   |
|  <p>Assembly cautioned</p>             | <ul style="list-style-type: none"> <li>● Assemble the fan or component parts securely.<br/>Injury by dropping may result in.</li> </ul>   |
|  <p>Assembly cautioned</p>             | <ul style="list-style-type: none"> <li>● Ensure that electric wiring is made safely according to the standard or regulations related.<br/>Incorrect wiring may result in fire or electrical shock.</li> </ul>   |
|  <p>Contact prohibited</p>             | <ul style="list-style-type: none"> <li>● Accessible parts may become hot when used with cooking appliances.<br/>Do not touch the filter or parts around it while cooking.<br/>The filter or parts may drop, and burn or injury may result in.</li> </ul>  |

## CAUTION

### Safety precautions



Contact prohibited

- During operation, never insert fingers or other objects. Failure or injury may result in.



Operation prohibited

- Switch off the cooker hood at once when oil caught fire while cooking. It's dangerous if not stop as fire is built up.



Prohibited

- Do not put anything on the cooker hood. It may be cause of fire, failure, or injury by dropping.



Wear gloves

- Be sure to wear gloves when care and maintenance. Injury by the sharp edges or corners may result in.



Replace the cord if it's damaged

- If the power cord is damaged, it must be replaced by the manufacturer, its service agent or similarly qualified persons in order to avoid a hazard.



Prohibited

- To avoid eye damage, do not look directly at the LED light while it is on.



Caution

- When the oil reaches one half of the oil tray, it must be cleaned to prevent overflow and oil dripping during removal.



Mounting cautioned

- During installation, the hook and plastic expansion pipe (on the concrete wall) must be matched with the product to prevent the product from falling.



Mounting cautioned

- In order to prevent the product from falling, the plastic expansion pipe used must be equipped with a corresponding drill bit with a minimal gap between them.



Caution

- Specific methods for gas exhaust must be indicated.



Caution

- Use attachment screws only. If you fail to follow the instructions provided in this manual when installing other screws or fixed equipment, it may cause an electrical hazard.



Caution

- Contact FUJIOH or an agent when changing LED lamps in this product.

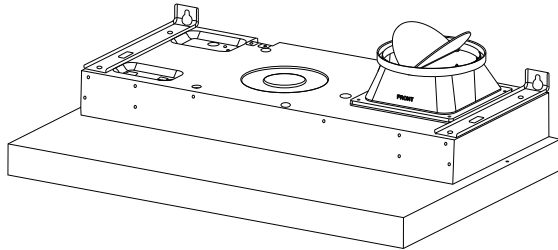
## Precautions on Use

- **Operate the cooker hood without fail when using cooking wares.**  
Otherwise, it may be cause of the cooker hood damage or failure by increased temperature.
- **Don't use a gas range with nothing put on it.**  
The body of the cooker hood is heated, and it may cause trouble.
- **Prevent influence of direct wind from air conditioner.**  
Smoke capturing performance may be deteriorated if influenced. Especially, as the induction heater (IH) provides nearly no ascending air current, it is easily influenced in open place.
- **When using with the induction heater (IH), smoke capturing performance may be deteriorated by influence of cross wind.**  
Also, the surface of the cooker hood may be dew condensation if it is used in low temperature.  
In this case, use the cooker hood after wiping off.
- **During operation, pay attention to sufficient air supply.**  
Provide adequate air intake slot on the wall opposite from the cooker hood, or open the door of the room a little.  
Otherwise, ventilation performance may be deteriorated, or abnormal noise/ vibration may result in.
- **Separate gas heater more than 500 mm from the cooker hood.**  
As the around of gas heater becomes high temperature, separate more than 500 mm.  
Never install the cooker hood above gas heater.  
If not, it may be cause of the cooker hood damage or failure by increased temperature.
- **Do not use the cooker hood with its rectifier panel removed.**  
Smoke capturing performance may be deteriorated.
- **When the rang hood is running without any operation in 5 hours, it will turn off the power after a "beep".**

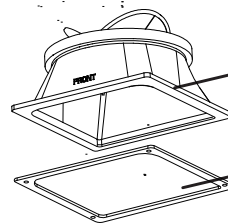
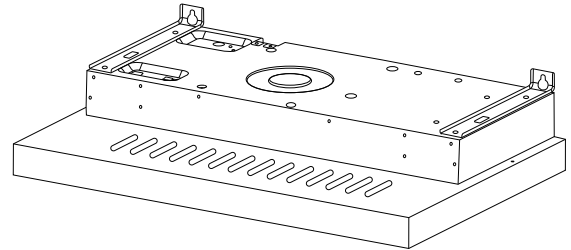
# Preparation

## Name of Parts

Ventilating type



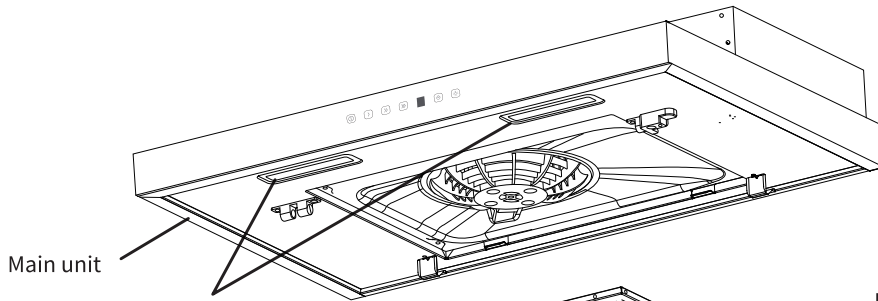
Recycling type



Exhaust port  
(For ventilating type)

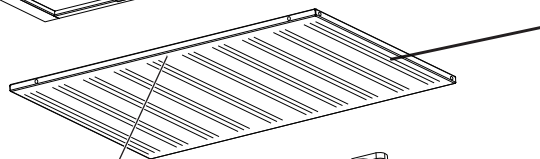
Exhaust port seal ring  
(For ventilating type)

Mounting bracket  
(purchase additionally,  
1 set of 2 pieces)



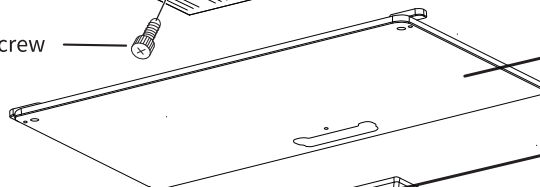
Main unit

LED



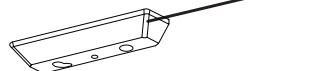
Filter

Fixing screw



Rectifier panel

Oil tray



## ■ List of included items

FR-MS1970V/1990V (Ventilating type)

Name	Usage	Quantity
Main unit	/	1
Rectifier panel	/	1
Oil tray	/	1
Exhaust port	Connecting the main unit and exhaust pipe	1
Exhaust port seal ring	Sealing the exhaust port and the main unit	1
Installation screw pack	Mounting the main unit	1
Manual	/	1

FR-MS1970R/1990R (Recycling type)

Name	Usage	Quantity
Main unit	/	1
Rectifier panel	/	1
Oil tray	/	1
Installation screw pack	Mounting the main unit	1
Manual	/	1

Installation screw pack list

Name	Usage	Quantity
Flat washer	Lifting the whole machine	6
ST5*40 Wood screw	Lifting the whole machine	6
Plastic expansion pipe	Lifting the whole machine	6
ST4.2*16 flat head screw	Install Exhaust port (For ventilating type)	4

## Switch



- ⓘ Power button .....ON/OFF
- > Low button.....when the smoke is less or when desiring silent operation
- >> Middle button.....normal operation
- >>> High button.....when there's much smoke or when desiring quick air exchange
- 🕒 Delayed shutdown button....3/6/9 minutes delay for shutdown of the whole machine under working state
- ☀️ Lamp ON/OFF.....ON/OFF of independently controlling the lamp

# Installation

## Preparation and check before installation

### CAUTION

1. Mount the cooker hood carefully and avoid contact with any metal parts (the lath in the wall or the like) of the building.
2. Never embed the body of the cooker hood in the wall. Otherwise, leakage current in the wall, if any, flows to the body of the cooker hood.
3. The air must not be discharged into a flue that is used for exhausting fumes from appliances burning gas or other fuels (not applicable to appliances that only discharge the air back into the room).
4. The minimum distance between the supporting surface for the cooking vessels on the hob and the lowest part of the cooker hood. When the cooker hood is located above a hob, this distance shall be at least 650 mm. If the instructions for installation for the hob specify a greater distance, this has to be taken into account.
5. Use a gas rang having a narrower width than that of the cooker hood.
6. Avoid using the cooker hood with changes in the specification, for instance, with modifying the switch.
7. Do not install the cooker hood in a wet area or in other wet rooms since it may result in electric shock or damage.
8. Do not install the cooker hood at a place where its ambient temperature exceeds 40 °C, otherwise it may result in failure.
9. To protect your hands from injury, wear working gloves when installing the cooker hood.
10. If the power cord is damaged, it must be replaced by the manufacturer or its service agent or a similarly qualified person in order to avoid a hazard.

### Checking mounting surface strength

The mounting surface should have sufficient strength enough to support the cooker hood.

Mount the cooker hood on a place durable to support the weight of the cooker hood.

Product weight about 11kg (FR-MS1970V), 11.2kg (FR-MS1970R), 12.1kg (FR-MS1990V), 12.4kg (FR-MS1990R).

#### In the case of boarded wall

- If the thickness is more than 20 mm, mount the cooker hood directly to the wall.
- If the thickness is less than 20 mm, embed a reinforcing board and mount the cooker hood to this board.

#### In the case of a concrete/ tile faced wall

- Embed a reinforcing board in the wall in advance, or use a curl plug or the like.

### Power plug

This product include a power plug. Be sure to use the wall outlet only for the cooker hood.

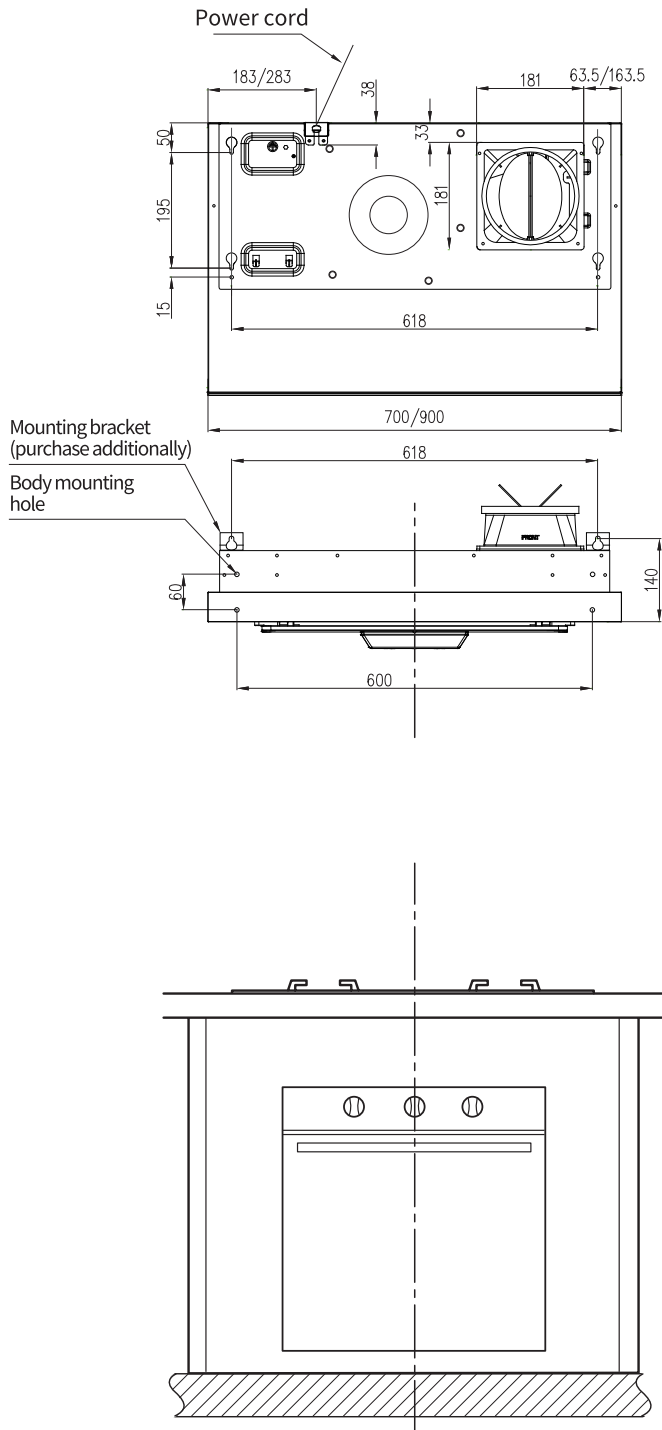
### Checking accessory parts

- Take out the main unit and accessory parts from the packing box, and check whether there is any shortage.

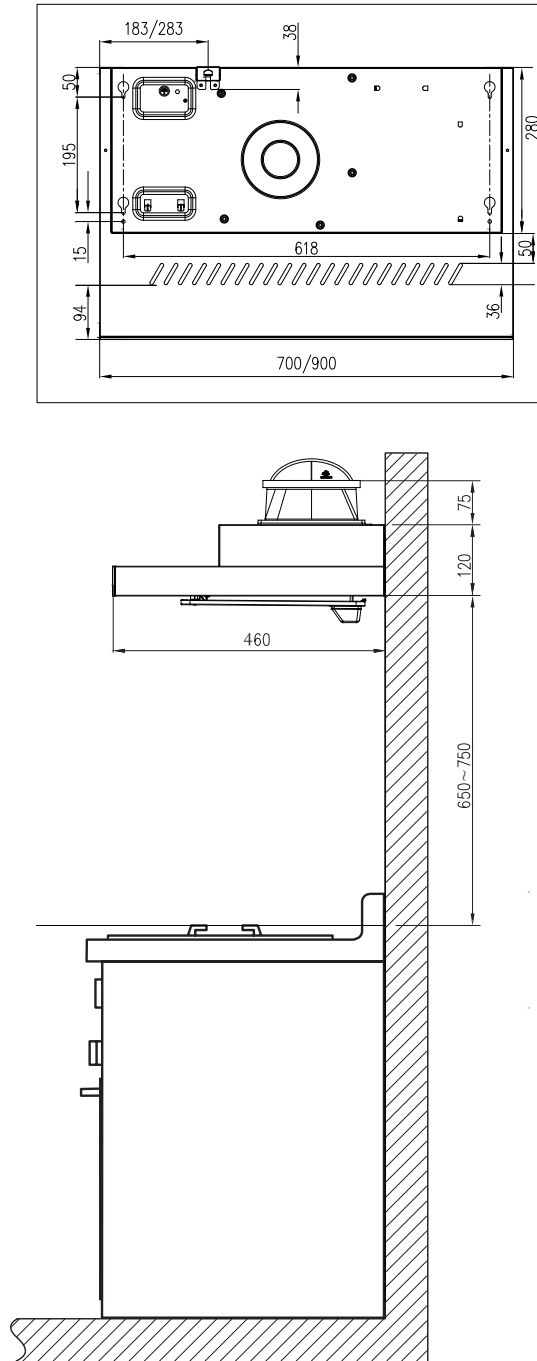


## Confirmation of the installation location (Unit: mm)

FR-MS1970V/1990V



FR-MS1970R/1990R

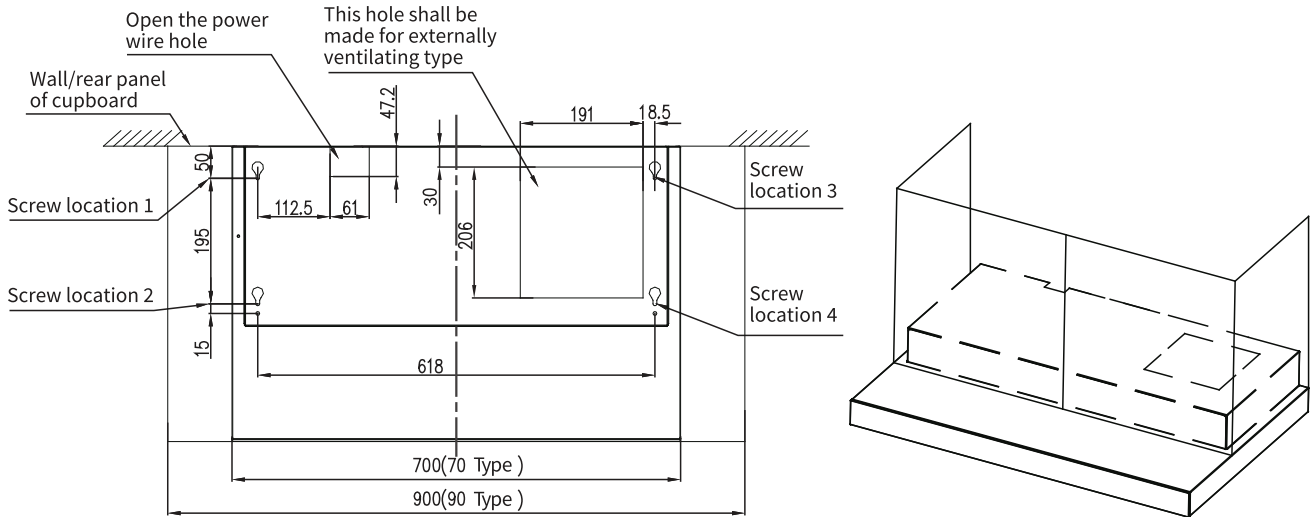


# Cooker Hood Installation

## Installation Method

### Installation Method 1: The installation method when there's cupboard bottom plate

1. According to the size shown in the figure below, open the hole for power wire and the vent hole for externally ventilating type.
2. Lock four ST5\*40 wood screws at the bottom of the cupboard according to the size figure, and reserve a clearance of about 5 mm.

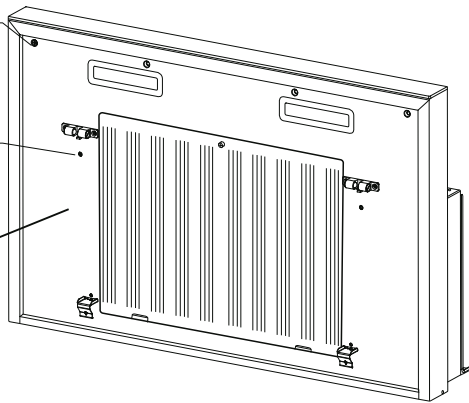


3. Remove the oil panel assembly
  - A. Loosen 6 screws of the oil panel.
  - B. Open the oil panel from the front end and loosen the LED light cable, take out the oil panel assembly.

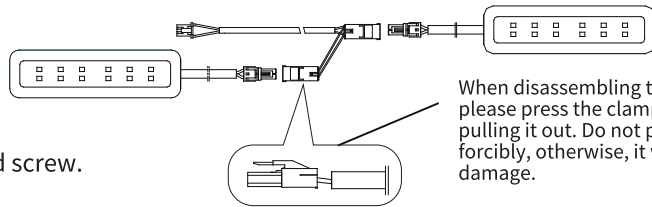
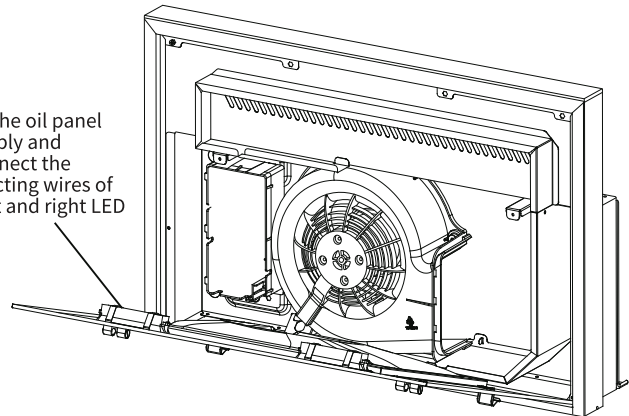
Remove four screws from this line

Remove two screws from this line

Oil panel



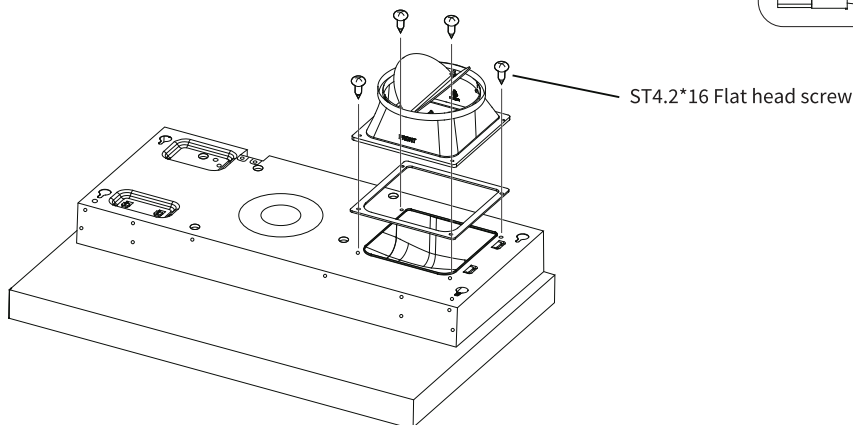
Open the oil panel assembly and disconnect the connecting wires of the left and right LED lights



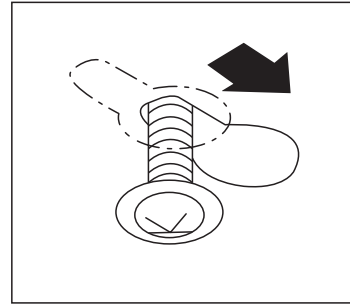
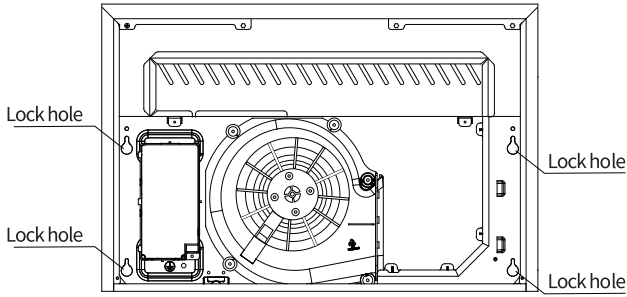
When disassembling the LED lamp, please press the clamp before pulling it out. Do not pull it out forcibly, otherwise, it will cause damage.

4. Install the exhaust port assembly
 

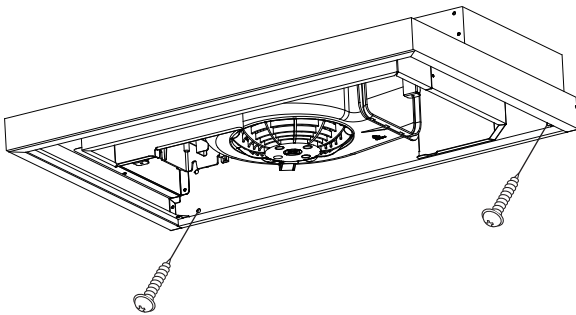
Fix the exhaust port assembly with ST4.2\*16 flat head screw.



5. Align four lock holes with four pre-locked screws on the cupboard, insert into the slot, and then lock four screws.

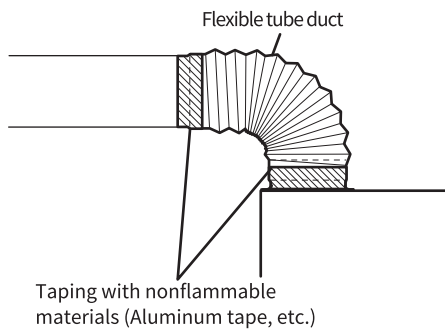


6. Tighten two bolts in the back of the oil smoke exhauster.



7. Refer to Step 3 and install the oil panel. Install the exhaust pipe for the ventilating type as figure shown below.

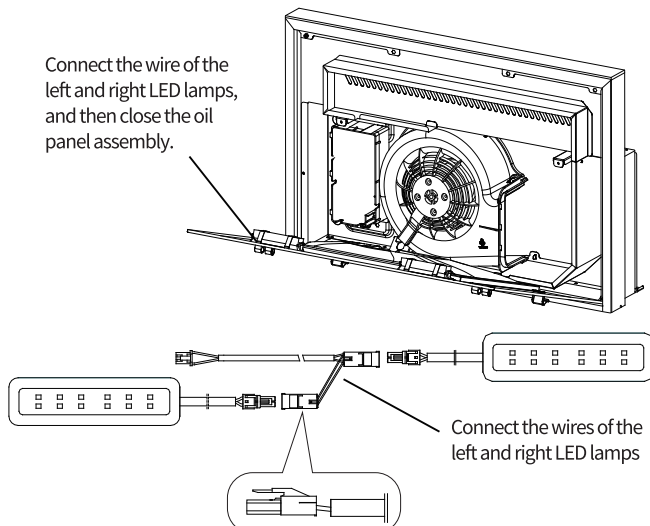
Note: The longer the exhaust pipe, the worse the ventilation performance, the exhaust pipe shall be straight as far as possible, the more turnings, the worse the ventilation performance.



8. Install the oil panel assembly

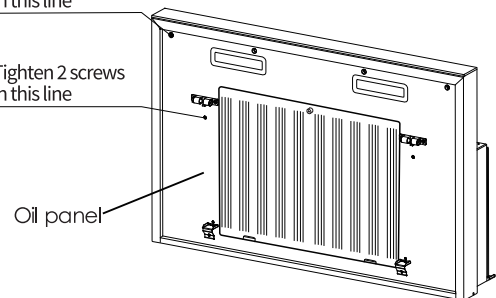
A. Take out the oil panel assembly and connect the LED lamp wire, lift up the oil panel from the front end.

B. Tighten 6 screws into the oil panel.



Tighten 4 screws in this line

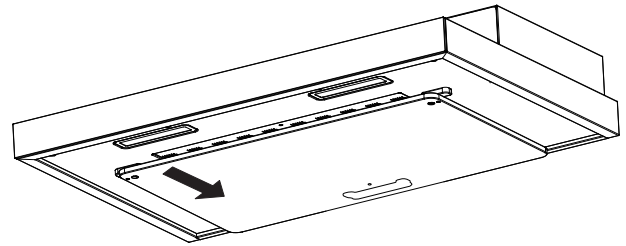
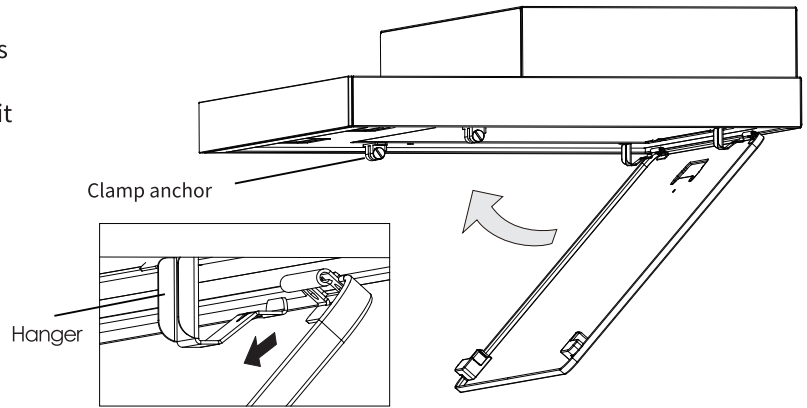
Tighten 2 screws in this line



9. Install the rectifier panel

- A. Put the rectifier panel on two rear hangers of the whole machine.
- B. Turn the rectifier panel horizontally, align it with the left and right clamp anchors, and push it forward to the bottom.

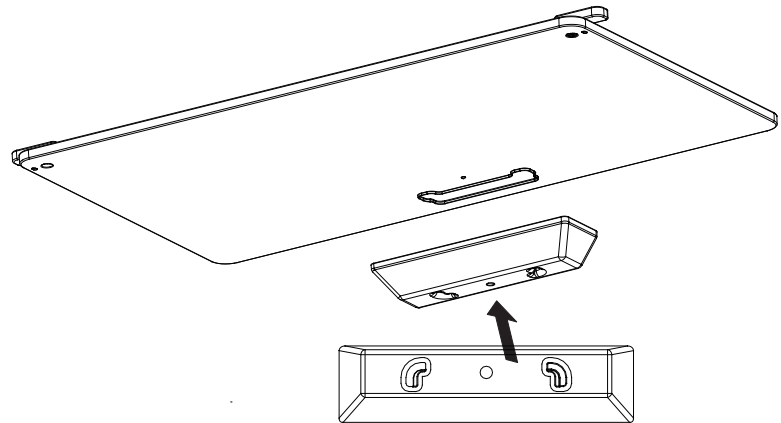
Note: Ensure that the fixing block in the rectifier panel is completely clamped in the clamp anchor. If it is not installed in place, there may be a risk of falling.



10. Install the oil tray

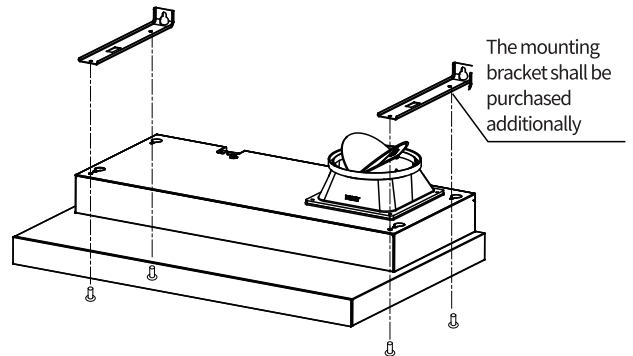
- A. Align two feet of the oil tray with the hole on the rectifier panel and insert the oil tray into the hole, the direction is shown in the right figure.
- B. Push the oil tray into the slot.

Note: When removing the oil tray, push one side out of the slot, and then push the other side out of the slot.

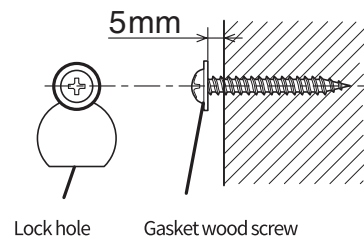


**Installation Method 2: Installation method if there isn't cupboard bottom plate**

- 1. Disassemble oil panel assembly and the lamp wire according to Installation Method 1 and 3.
- 2. Use a special mounting bracket (purchase additional) and lock the mounting bracket through the roof plate of the box with 4 screws.



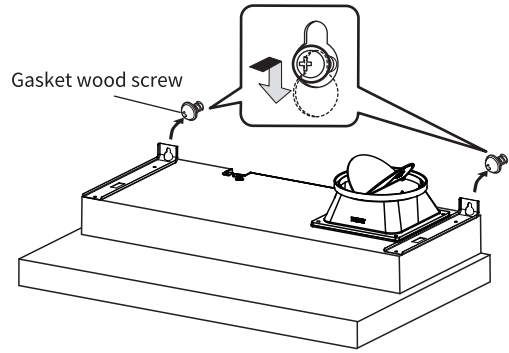
- 3. According to the "Confirmation of the installation position" on Page 9, insert the ST 5\*40 wooden screw into the wall to fix the left and right lock holes of the Mounting bracket. A gap of about 5mm should be left between the wall and the top of the screw to facilitate hanging the cooker hood.



**Note**

Use the appropriate accessories for installation (see Page 7). Other accessories can be added or selected if necessary.

4. Lock the anti-smashing screw according to Item 6 of Installation Method 1.
5. Install the oil panel, the rectifier panel and the oil tray into the whole machine according to the Installation Method 1.



## Operation check

- 1) Please install the oil tray matched with the product.
  - 2) Turn the breaker to on and start the test operation.  
Turn on a breaker and check operation.
- Check that the fan rotates normally at all speeds during operation.
  - Check that there are no abnormal sound or vibration.

## Power supply

Insert the power plug into the wall socket (220V/230V/240V AC).

# Maintenance

Clean the cooker hood as many times as possible (especially, clean the filter once every month) as it will become very dirty. For a family size of 4 to 5 people and cooking twice a day, clean the filter once every two weeks.

If the cooker hood is left unattended for a long time, much oil is accumulated and it will become difficult to remove the hardened grease.

## Caution for maintenance

- Before cleaning the cooker hood, be sure to disconnect the power plug from the receptacle, or turn off the breaker.
- For safety, always wear a pair of rubber gloves while cleaning the filter, etc.
- Especially, be careful to prevent electric parts such as the motor, switch, connectors or the like from being splashed with water.
- Do not spray liquid of any type detergent to the electric parts. It's cause trouble.
- Do not use solvents such as thinner, benzene, polishing power or the like for cleaning the painted surfaces, facing plates, etc. as these parts may become lusterless or scored.
- Do not wash parts with a hard brush or the like for cleaning as it can be damaging.

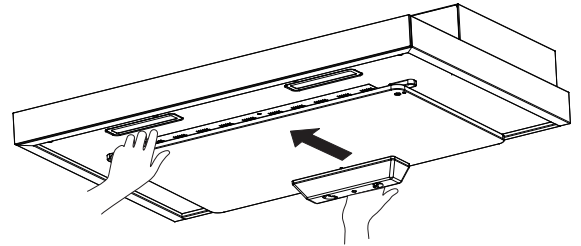
## Detaching/ Attaching Cleaned Parts

Install all parts using the opposite procedure as that for removing the parts.

### Oil tray

#### ■ Detaching

Hold the rectifier panel with the left hand, hold and pull the oil tray with the right hand (first pull one side the oil tray out of the clamp, then pull the other side out of the clamp, which is more convenient to dismantle)

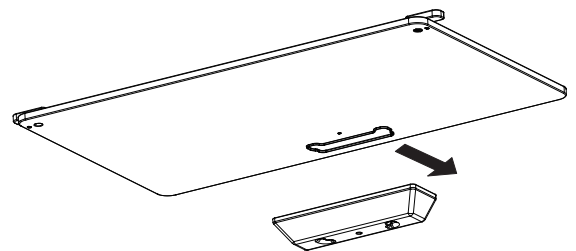


#### Note

The oil tray may be filled with oil, so be careful when removing it. When removing the oil tray, be sure to hold the rectifier panel by hand to avoid accidental falling off and causing injury.

#### ■ Attaching

Hold the oil tray, insert the oil tray foot into the oil tray hole, then push it completely to the end.



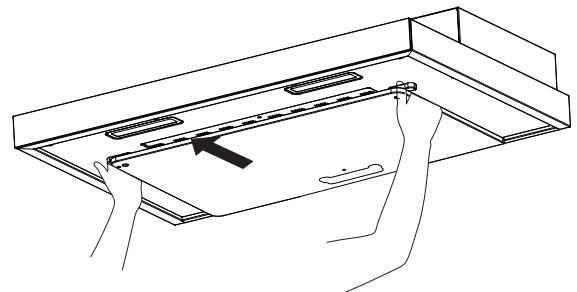
#### Note

If the oil tray is not installed properly, it may result in oil-drip, injury by dropping, etc.

### Rectifier panel

#### ■ Detaching

Hold the rectifier panel with two hands on both sides, pull it out to loosen the front end, then turn down the rectifier panel to take it out of the cooker hood.

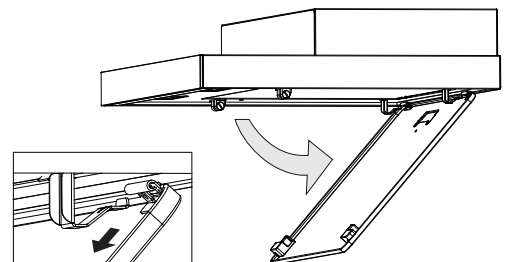


#### Note

In order not to drop the rectifier panel, hold it by both hands securely. If dropped, it may be a cause of injury, flaw or warp of parts, etc.

#### ■ Attaching

Hold the rectifier panel with both hands, hang the end of it into the hanger, align the front end with the clamp anchor and push it to the end, and ensure that the condensing plate is fully clamped in the clamp anchor.



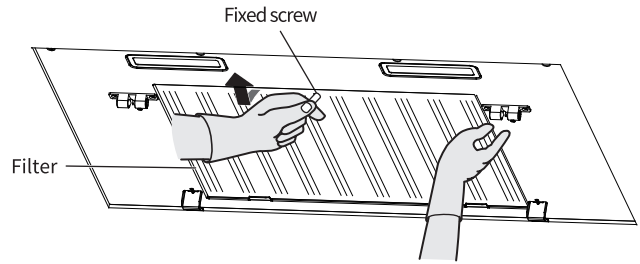
#### Note

Make sure that the rectifier panel is fixed securely. It may be a cause of dropping if not fixed firmly.

## Filter

### ■ Detaching

Hold the filter and remove the fixed screws at the front of the filter.

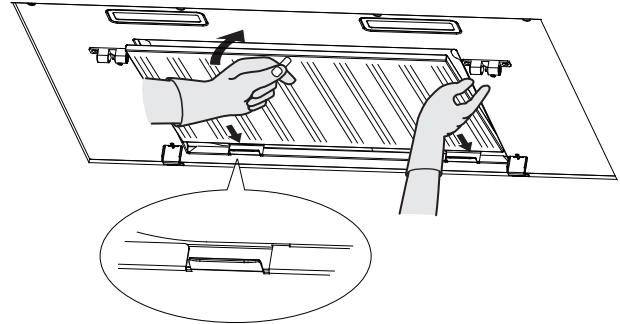


### Note

Be sure to hold the filter with hand when removing it. Otherwise, it may drop and result in injury.

### ■ Attaching

Put the end of the filter into the hook, put the filter into the groove smoothly, and tighten the fixed screw.



## Cleaning

### Hood body

When cleaning, use a neutral detergent and soft cloth. Do not use an organic solvent. After cleaning, wipe the hood well with a wet cloth dipped in water to remove any remaining detergent, and finally thoroughly wipe any moisture off using a dry cloth.

### Oil tray/ Rectifier panel/ Filter

When cleaning, use a neutral detergent and soft cloth. Do not use an organic solvent. After cleaning, wash off with water to remove all remaining detergent, and finally thoroughly wipe any moisture off using a dry cloth.

### Note

When cleaning the rectifier panel, perform it on a flat surface in order not to deform it.

### Exhaust outlet/Cabinet

Oil will exhaust at exhaust outlet if rectifier panel and filter did not clean and wash regularly. If oil found at the exhaust outlet or cabinet, wipe off the oil using neutral detergent with soft cloth. Do not use an organic solvent. After cleaning, wipe the exhaust outlet or cabinet with a wet cloth dipped in water to remove detergent and finally thoroughly wipe any moisture off using a dry cloth.

# Other information

## Specifications

FR-MS1970V/1990V (Ventilating type)


Rated voltage (V)	Speed	Frequency (Hz)	Power consumption (W)	Air flow (m3/h)	Sound (dB)
220	Hi	50	218	400	57
	Med		156	320	52
	Low		120	230	45
230	Hi	50	233	420	58
	Med		169	330	53
	Low		130	250	46
240	Hi	50	255	435	59
	Med		182	350	54
	Low		140	260	47

\* With 2x1.5W=3W watts for lam

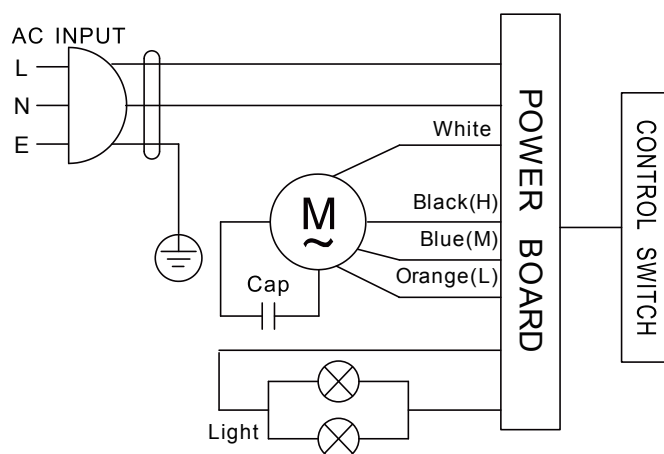
FR-MS1970R/1990R (Recycling type)

Rated voltage (V)	Speed	Frequency (Hz)	Power consumption (W)	Air flow (m3/h)	Sound (dB)
220	Hi	50	141	245	53
	Med		105	175	44
	Low		100	135	37
230	Hi	50	148	260	55
	Med		124	185	45
	Low		108	145	39
240	Hi	50	163	275	56
	Med		134	195	47
	Low		115	150	40

\* With 2x1.5W=3W watts for lam

	Max Power	Voltage	Picture	Lamp Cap	ILCOS D code
Square/Diameter: 33.2mm x 120mm	1.5W	DC 12 V		--	Dss-1.5-s-33.2 /120

## Circuit diagram





## Troubleshooting

Before request repairing services, please confirm whether there is the following situation again.

Symptom	Possible cause	Action
<ul style="list-style-type: none"> <li>After pressing the Power switch, the fan and the lamp don't work.</li> <li>The fan doesn't work.</li> </ul>	<ol style="list-style-type: none"> <li>Brake of the switchboard is "off".</li> <li>Power plug is pulled out.</li> <li>Connector bad contact or is disconnected.</li> </ol>	<ol style="list-style-type: none"> <li>Brake of the switchboard is "on".</li> <li>Plug in the power plug.</li> <li>Request repairing.</li> </ol>
<ul style="list-style-type: none"> <li>The lighting doesn't light up.</li> </ul>	<ol style="list-style-type: none"> <li>Connector suffers poor contact or connector is disconnected.</li> </ol>	<ol style="list-style-type: none"> <li>Request repairing.</li> </ol>
<ul style="list-style-type: none"> <li>There exists abnormal sound.</li> </ul>	<ol style="list-style-type: none"> <li>The filter is clogged with grease and dirt.</li> <li>Air supply is not sufficient.</li> <li>The mounting screws of the fan are loose.</li> </ol>	<ol style="list-style-type: none"> <li>Clean the filter.</li> <li>Ensure sufficient air supply and open the window or air inlet.</li> <li>Request repairing.</li> </ol>
<ul style="list-style-type: none"> <li>Inadequate suction force.</li> <li>High operating noise.</li> </ul>	<ol style="list-style-type: none"> <li>There're several filters in addition to the original one (such as non-woven filter, etc.).</li> <li>The filter is dirty</li> <li>Insufficient air supply.</li> <li>It was blown by the wind of air conditioner and window.</li> <li>The exhaust pipe outlet is blocked.</li> </ol>	<ol style="list-style-type: none"> <li>Remove other filters except the original one.</li> <li>Clean the filter.</li> <li>Open the window and the air inlet, ensure sufficient air supply.</li> <li>Prevent from being blown by the wind.</li> <li>Request repairing.</li> </ol>

## Service and warranty

When requesting after sales service:

If any abnormality occurs while the cooker hood is in operation, switch off the cooker hood to run, check the following points:

- Whether the fuse in the circuit breaker has been burnt out?
- Whether the power plug is not in proper contact with the receptacle?

If not above, disconnect the power plug from the receptacle and consult the shop from which you have purchased your cooker hood.

When consulting the shop, inform the shop the type/model of cooker hood requiring repair and the date when it was purchased



- The minimum retention period of performance parts for repairing the cooker hood is 5 years after termination of manufacturing of the cooker hood.

The performance parts refer to those parts for required to maintain the functions of a cooker hood. However the same kinds of repair parts or interchangeable parts will be supplied for 4 years thereafter. If the functions can be maintained when repaired, we are willing to repair when ordered by you.

- The parts used on the cooker hood are subject to partial change without prior notice owing to improvement of performance.

Global Website  
[www.fujioh.com](http://www.fujioh.com)

**FUJIOH INTERNATIONAL TRADING PTE.LTD.**  
Southeast Asia Regional Headquarters

3014A Ubi Road 1 #06-04, Singapore 408703  
Tel : (65) 6286 3286 Fax : (65) 6285 3285  
E-mail : [fit@fujioh.com.sg](mailto:fit@fujioh.com.sg)

全球网站

[www.fujioh.com](http://www.fujioh.com)

FUJIOH INTERNATIONAL TRADING PTE.LTD.

东南亚地区总部

3014A Ubi Road1 #06-04, Singapore 408703

Tel : (65) 6286 3286 Fax : (65) 6285 3285

E-mail : [fit@fujioh.com.sg](mailto:fit@fujioh.com.sg)

## 诊断故障

在请求修理服务之前，请再次确认是否有以下情况。

故障现象	故障原因	处理
<ul style="list-style-type: none"><li>● 打开开关之后，风扇开关及照明开关无法打开。</li><li>● 风扇不转。</li></ul>	<ol style="list-style-type: none"><li>1. 配电盘的断路器处于关闭状态。</li><li>2. 电源插头松开。</li><li>3. 接插件接触不良或接插件松开。</li></ol>	<ol style="list-style-type: none"><li>1. 按"ON"，开启配电盘的断路器。</li><li>2. 插入电源插头。</li><li>3. 请求修理。</li></ol>
<ul style="list-style-type: none"><li>● 照明不亮</li></ul>	<ol style="list-style-type: none"><li>1. 接插件接触不良或接插件松开。</li></ol>	<ol style="list-style-type: none"><li>1. 请求修理。</li></ol>
<ul style="list-style-type: none"><li>● 有异常噪音。</li></ul>	<ol style="list-style-type: none"><li>1. 过滤网被油垢堵塞。</li><li>2. 空气供给不充分。</li><li>3. 风扇的安装螺丝松动。</li></ol>	<ol style="list-style-type: none"><li>1. 清洁过滤网。</li><li>2. 保证气源充足，打开窗户或空气供给口。</li><li>3. 请求修理。</li></ol>
<ul style="list-style-type: none"><li>● 吸力不足。</li><li>● 运行噪音过大。</li></ul>	<ol style="list-style-type: none"><li>1. 重叠了原装以外的过滤网（如不织布过滤网等）。</li><li>2. 过滤网已经脏了。</li><li>3. 空气供给不充分。</li><li>4. 被空调和窗户的风吹到。</li><li>5. 排气管出口被堵塞。</li></ol>	<ol style="list-style-type: none"><li>1. 去除原装以外的过滤网。</li><li>2. 清洗过滤网。</li><li>3. 打开窗户、空气供给口，保证气源充足。</li><li>4. 防止被风吹到。</li><li>5. 请求修理。</li></ol>

## 修理与保修

申请维修：

在操作过程中如果发生异常，应立即关掉吸油烟机进行检查：

- 1) 保险丝是否熔断了？
- 2) 电源插头与插座的连接是否正确？

若确认不是上述问题，请立即拔下电源插头，与当初购买本机时的销售商联系。  
与销售商联系时，需说明产品型号及购买日期。



- 本型号机停止生产后仍可提供维修所需性能部件的最低保证期为5年。

性能部件是指维持吸油烟机正常使用功能所必需的基本部件。

对于相同类型可互换部件的提供保证期可再延长4年。

在对使用不产生影响的前提下，我们将按照您的要求选用这些部件进行维修。

- 为提高吸油烟机性能，有可能在不预先通知的情况下进行产品部件的更新。

# 其他信息

## 规格

### FR-MS1970/1990V (排气型)


额定电压 (V)	档位	额定频率 (Hz)	消耗功率 (W)	风量 (m³/h)	噪声 (dB)
220	高档	50	218	400	57
	中档		156	320	52
	低档		120	230	45
230	高档	50	233	420	58
	中档		169	330	53
	低档		130	250	46
240	高档	50	255	435	59
	中档		182	350	54
	低档		140	260	47

\*消耗功率含照明灯功率2X1.5W=3W

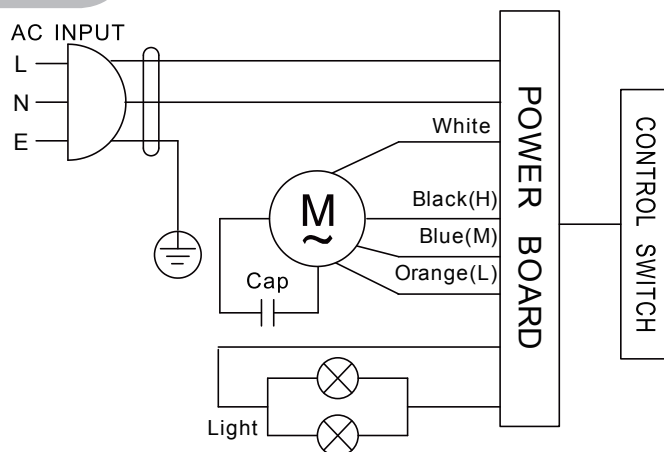
### FR-MS1970R/1990R (循环型)

额定电压 (V)	档位	额定频率 (Hz)	消耗功率 (W)	风量 (m³/h)	噪声 (dB)
220	高档	50	141	245	53
	中档		105	175	44
	低档		100	135	37
230	高档	50	148	260	55
	中档		124	185	45
	低档		108	145	39
240	高档	50	163	275	56
	中档		134	195	47
	低档		115	150	40

\*消耗功率含照明灯功率2X1.5W=3W

	最大功率	电压	图片	灯座	灯代码
方形/尺寸: 33.2mm x 120mm	1.5W	DC 12 V		--	Dss-1.5-s-33.2 /120

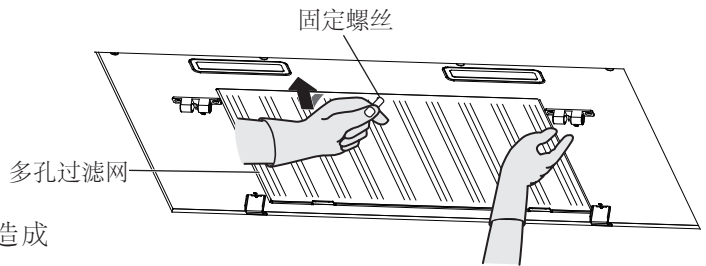
## 电路图



# 多孔过滤网

## ■分离

用手扶住滤网，取下固定在滤网前侧的固定螺丝。

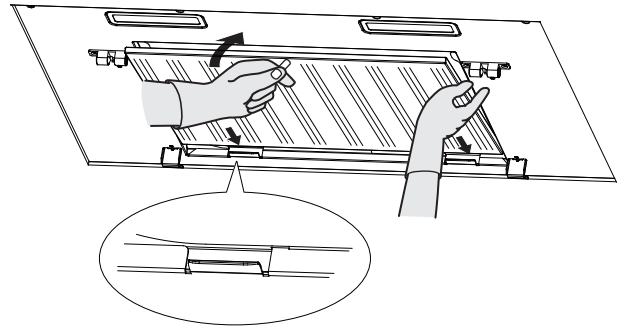


## 注意

拆卸时，务必用手将其抓牢。否则可能会因其脱落造成人员受伤。

## ■安装

将过滤网的末端放入钩扣里，过滤网平稳放入凹槽中，旋入固定螺丝。



维  
护

# 清洁

## 机身

请使用中性洗涤剂和软布清洁。

请勿使用有机溶剂。洗净后，用蘸水湿布仔细擦净机体罩以避免洗涤剂的残留，最后再用干布认真擦净水渍。

## 油杯 / 整流板 / 多孔过滤网

请使用中性洗涤剂和软布清洁。

请勿使用有机溶剂。洗净后，请用清水仔细洗净以避免洗涤剂的残留，最后再用干布认真擦净水渍。

## 注意

应在平坦的表面清洁整流板，以免发生变形。

## 排气口/厨柜

请定时清理整流板/多孔过滤网以免多余的油从排风口排出。如果造成排风口周围或厨柜有油渍，请使用中性洗涤剂和软布清洁。请勿使用有机溶剂。洗净后，请用清水以避免洗涤剂的残留。最后再用干布认真擦净水渍。

# 分离 / 安装要清洗部件

请按照与拆卸时相反的步骤对各个零部件进行安装。

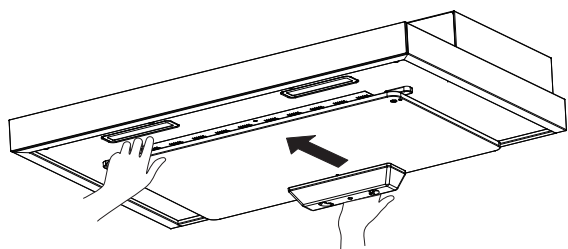
## 油杯

### ■分离

左手扶稳整流板，右手握着油杯向前拉（先把油杯单侧拉出卡扣，再把另外一侧拉出卡扣，更方便拆除）

#### 注意

油杯可能充满了油，在拆卸时请注意。拆油杯的时候，务必用手扶稳整流板，避免意外脱落，造成伤害。

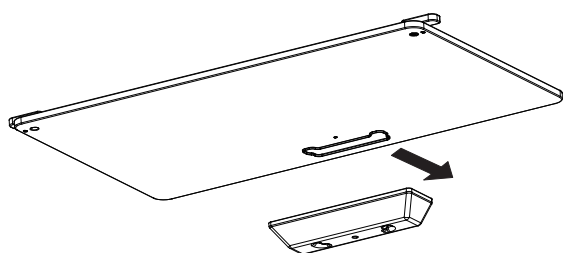


### ■安装

手持油杯，把油杯脚插入油杯孔，随后将其完全推至末端。

#### 注意

若油杯未妥善安装，可能会造成油滴低落、坠落致伤等风险。



## 维护

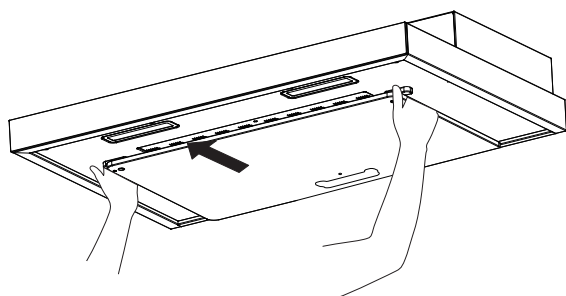
## 整流板

### ■分离

双手紧握整流板左右两端，向前拉出，使前端脱扣，然后下翻整流板，同时另整流板从吸油烟机吊卡中脱出。

#### 注意

为防止整流板的坠落，请双手将其抓牢。如冷凝板坠落，可能造成人身伤害，部件破损或变形。

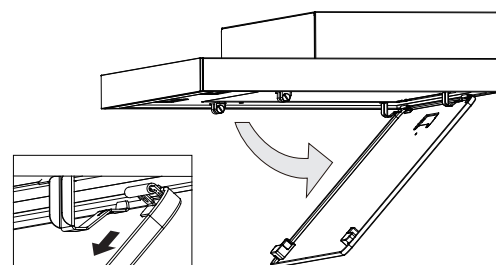


### ■安装

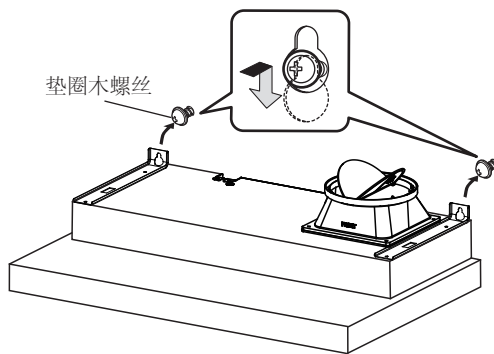
双手拿起整流板，将整流板尾部挂入吊卡，并把前端对准卡座，并推至末端，确保冷凝板完全卡入卡座。

#### 注意

请确保整流板牢固固定。若固定不良，可能有坠落风险。



- 4、按照安装方法一第6点，锁上防掀翻螺丝。
- 5、按照安装方法一把油面板、整流板、油杯装回整机即可。



## 运行检查

- 1) 请安装随机附带的油杯。
  - 2) 打开断电器、检查油烟机是否正常运行。
- 本吸油烟机运转时，各档风扇是否正常工作。
  - 是否发出异常噪音及异常振动。

## 电源

把电源插头插入墙上的插座（220V/230V/240V AC）。

## ■ 维护

由于吸油烟机很容易积攒油污，因此应经常清洁吸油烟机（尤其是多孔过滤网，应至少每月清洁一次）。对于每天做两顿饭的4到5口家庭而言，应至少每两周清洁一次过滤网。如果吸油烟机长时间不清洁，将会积聚大量油污，形成很难去除的油脂硬块。

## 维护注意事项

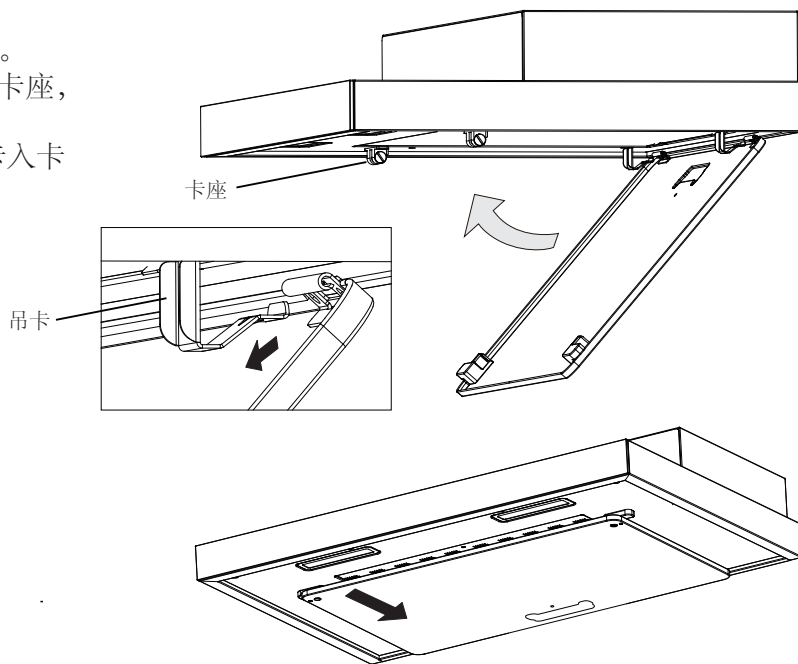
- 清洁吸油烟机前，务必从插座上拔下电源插头，或关闭断电器。
- 为安全起见，清洁过滤网等部件时，应始终戴好橡胶手套。
- 严禁将水泼到电动机、开关、接插件之类的电气部件上。
- 请勿在电气部件上喷洒任何类型的洗涤溶液。否则会造成故障。
- 请勿用诸如稀释剂之类的溶剂、汽油、抛光粉等清洁油漆表面、护面板等，否则会使这些部件失去光泽或造成刮痕。
- 请勿用硬毛刷之类的物品清洗各部件，否则会使部件受损。



9、安装整流板

- A、把整流板挂入整机上的两个后吊卡。
- B、把整流板上翻到水平，对准左右的卡座，往前推到底。

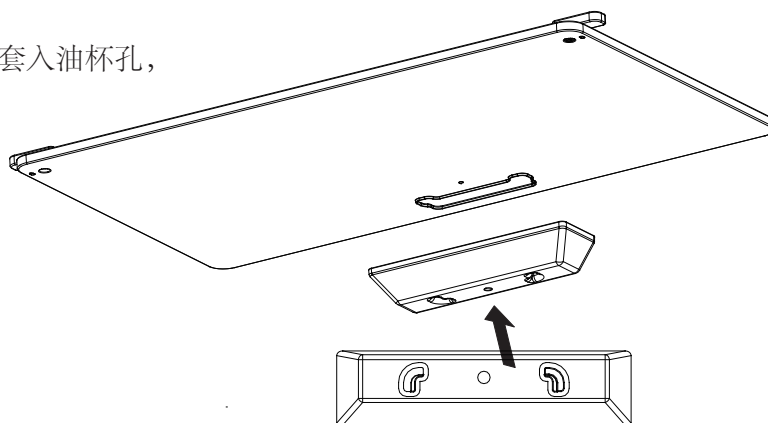
注意：需确保整流板中的固定块完全卡入卡座，若安装不到位，可能有坠落风险。



10、安装油杯

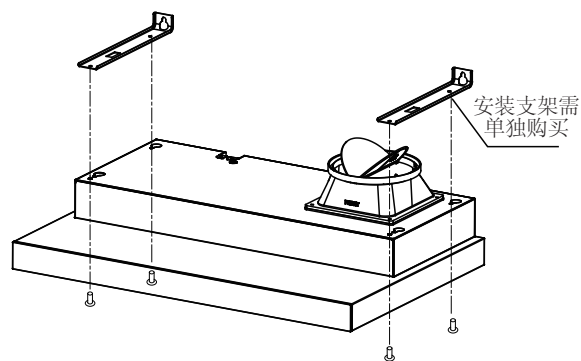
- A、把油杯的两个脚对准整流板上的孔，套入油杯孔，方向如右图所示。
- B、把油杯推入卡槽。

注意：拆油杯的时候先把一侧推出卡槽，再把另外一边推出卡槽。

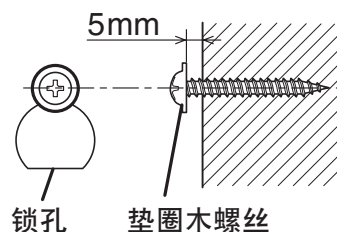


安装方式二：无橱柜底板的安装方法

- 1、按安装方法一第3点，拆开油面板组件，拆开灯连接线。
- 2、使用专用安装支架（需另外选购），用四个螺丝透过箱体顶板锁住安装支架。



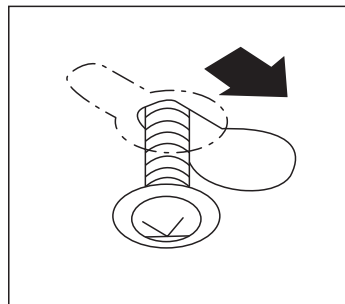
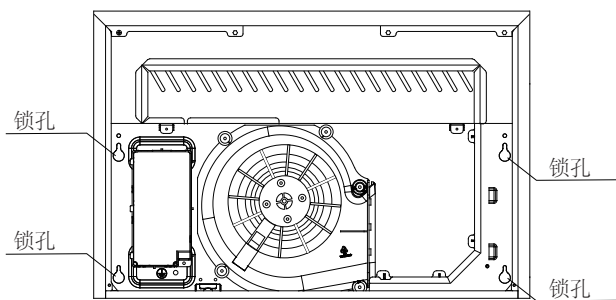
- 3、根据第9页上的“确认安装位置”，将ST5\*40木螺丝插入安装墙壁，为安装支架的左右锁孔提供固定。在墙壁和螺丝顶间应保留约5mm的间隙，便于悬挂吸油烟机。



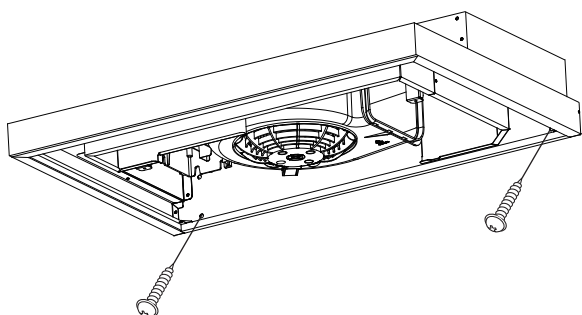
**注意**

安装中请使用合适的附件（参见第7页）。在必要时，可以添加或选择其他附件作为补充。

5、把四个锁孔，对准橱柜上四个预锁的螺丝，套入卡槽，然后再锁紧四个螺丝。

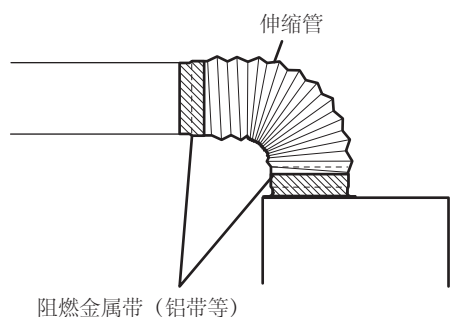


6、烟机背部锁入两个螺丝。



7、参照步骤3，装回油面板。排气型如下图所示安装排气管。

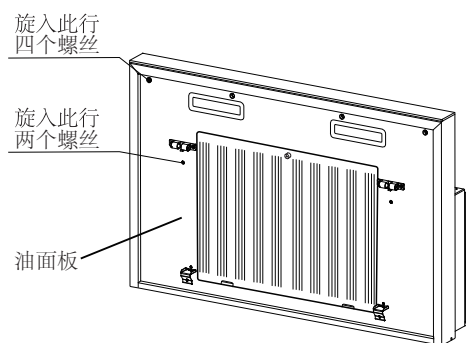
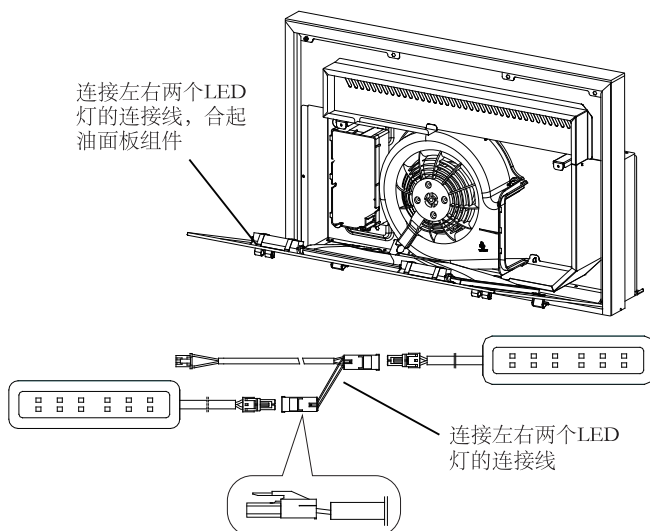
注意：排气管越长，通风性能越差，排气管尽量拉直，转弯次数越多，通风性能越差。



8、安装油面板组件

A、拿出油面板组件，并连接好LED灯连接线，从前端合起油面板。

B、旋入油面板的六个螺丝。

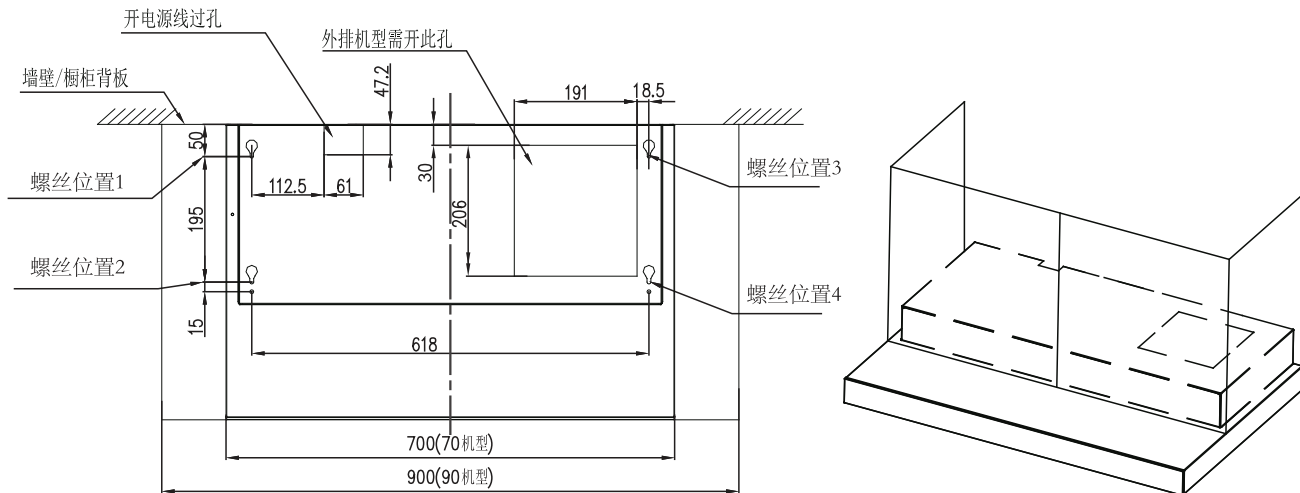


# 安装吸油烟机

## 安装方法

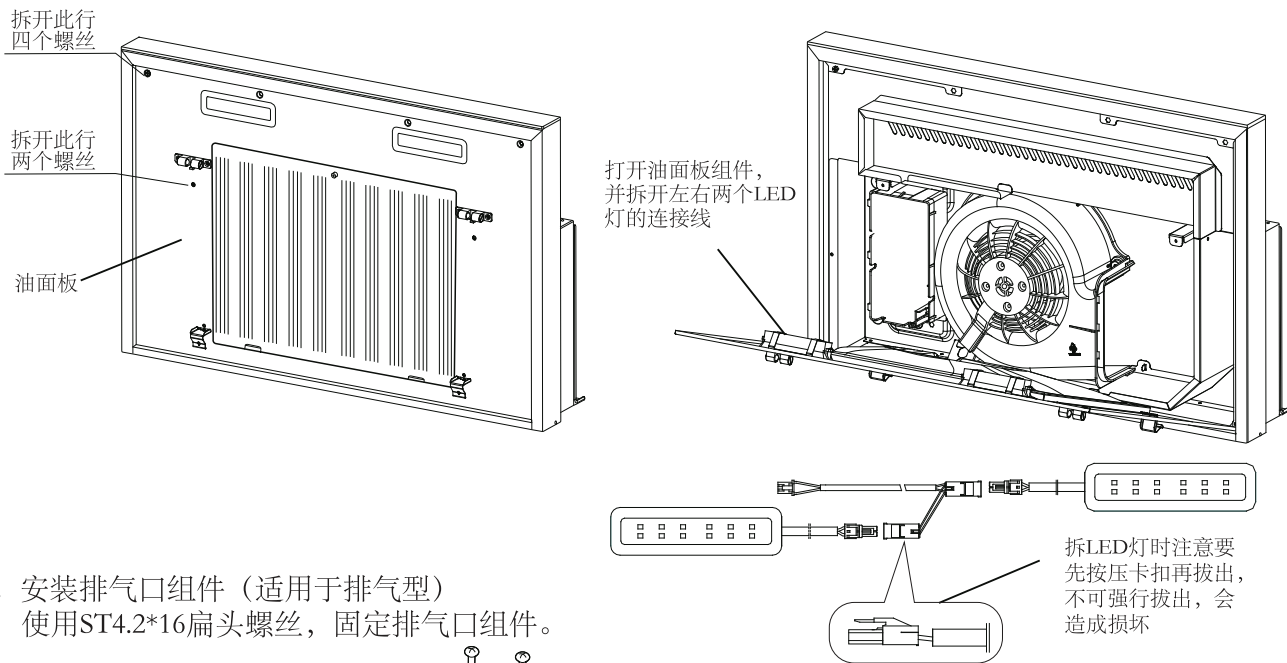
### 方法一：有橱柜底板的安装方式

- 1、如下图所示尺寸，开电源线孔，外排机型还需开通风口孔。
- 2、使用ST5\*40木螺丝，按尺寸图预锁四个螺丝在橱柜底部，预留5mm左右间隙。



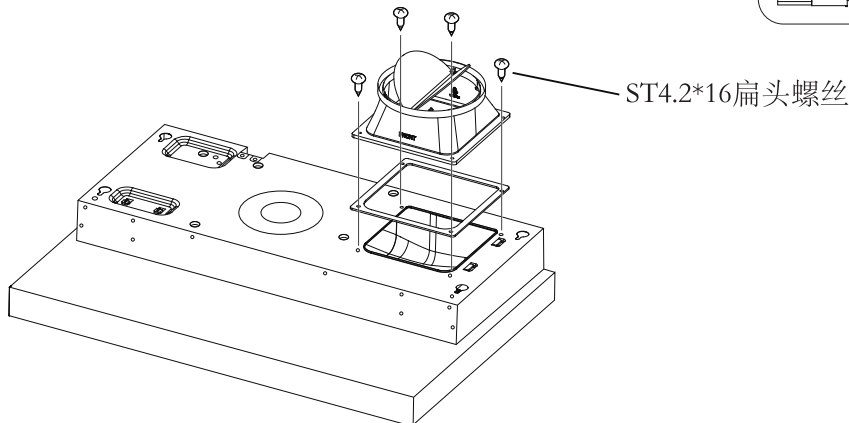
### 3、拆卸油面板组件

- A、松开油面板的六个螺丝。
- B、从前端翻开油面板，并松开LED灯连接线，取出油面板组件。

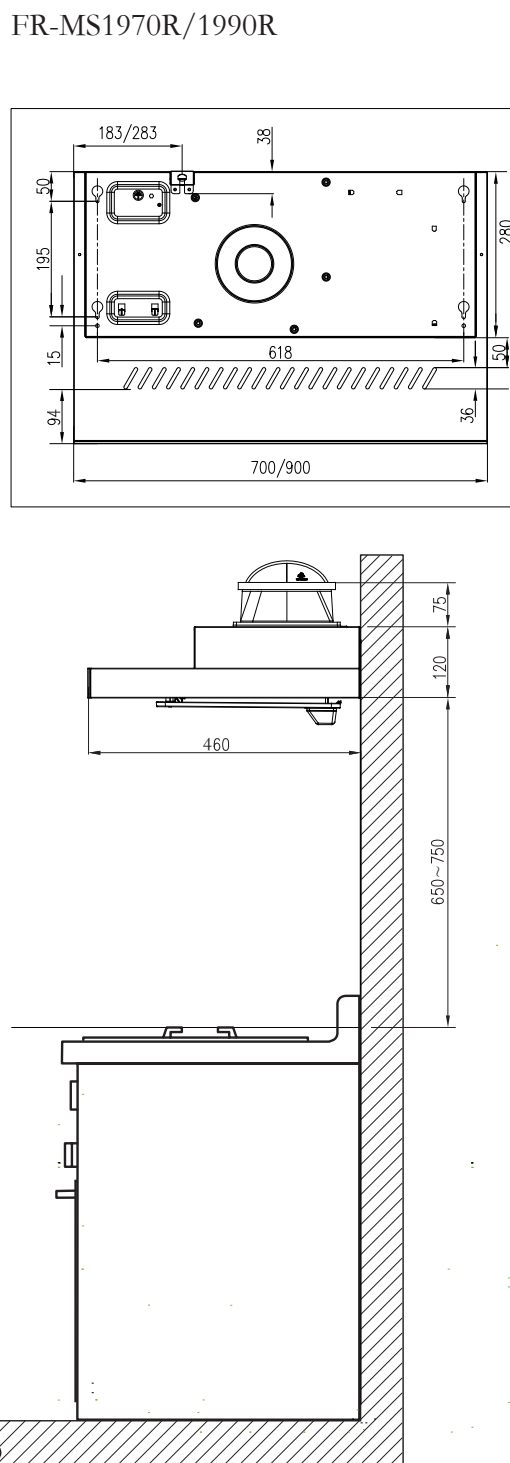
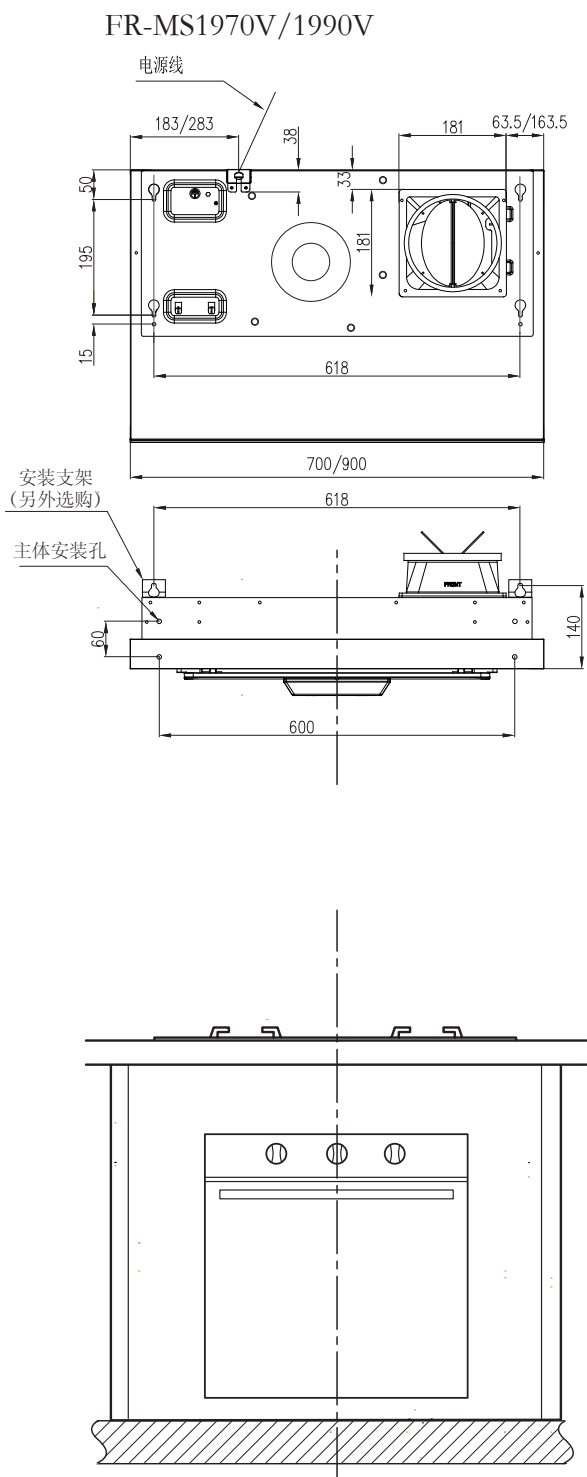


### 4、安装排气口组件（适用于排气型）

使用ST4.2\*16扁头螺丝，固定排气口组件。



# 确认安装位置 (单位: mm)



安  
装

# ■ 安 装

## 安装前的准备和检查

### ⚠ 注意

1. 安装吸烟机时应小心谨慎，以免接触建筑物的金属部件（墙壁等构件内部的金属网）。
2. 切勿将吸烟机的机身埋于墙壁之中，否则会造成机身漏电。
3. 不得向用于排烟（从使用煤气或其他燃料的器具中产生的废气）的烟道注入空气（不适用于仅向室内通风的器具）。
4. 煤气灶上烹饪器具的支撑面与吸油烟机最低部分之间的最小距离。当吸油烟机位于煤气灶上方时，到吸油烟机主机下端的距离应保持在 **650mm** 以上。  
如果煤气灶的安装说明书规定有较大间距，则必须将其考虑在内。
5. 使用宽度小于吸油烟机的煤气灶。
6. 请勿对本产品进行改装。例如：改换按键。
7. 请勿将吸油烟机安装在潮湿的地方或潮湿的房间中，否则会造成电击或损害。
8. 请勿将吸油烟机安装在环境温度超过 **40℃** 的地方，否则会造成故障。
9. 安装吸油烟机时，要戴好工作手套，以免伤及双手。
10. 如果电源线受损，必须由制造商、服务代理机构或同等资格的人员予以更换，以免造成危险。

## 检查安装表面的强度

安装表面必须有足够的强度来支撑吸油烟机。

应将吸油烟机安装在能够牢固持久地支撑其重量的位置。

吸油烟机的重量约为11kg（FR-MS1970V），11.2kg（FR-MS1970R），12.1kg（FR-MS1990V），12.4kg（FR-MS1990R）。

### ■ 在板墙上安装

- 如果墙壁的厚度超过 **20mm**，可直接在墙壁上安装吸油烟机。
- 如果墙壁的厚度小于 **20mm**，应埋入增强板，再将吸油烟机安装于此板上。

### ■ 在混凝土墙 / 瓷砖墙上安装

- 请使用随机附带的塑料膨胀管。

## 电源插头

- 本产品配有电源插头，务必使用吸油烟机专用的墙壁插座。

## 检查附件

从包装盒中取出主机和附件，检查附件是否齐全。

## ■ 装箱清单

### FR-MS1970V/1990V (排气型)

名称	用途	数量
主机	/	1
整流板	/	1
油杯	/	1
排气口	连接主机同排气管	1
排气密封垫	密封排气口与主机	1
安装螺丝包	安装主机	1
说明书	/	1

### FR-MS1970R/1990R (循环型)

名称	用途	数量
主机	/	1
整流板	/	1
油杯	/	1
安装螺丝包	安装主机	1
说明书	/	1

### 安装螺丝包清单

名称	用途	数量
平垫圈	吊挂整机	6
ST5*40木螺丝	吊挂整机	6
塑料膨胀管	吊挂整机	6
ST4.2*16扁头螺丝	安装排气口 (适用于排气型)	4

## 操作按键

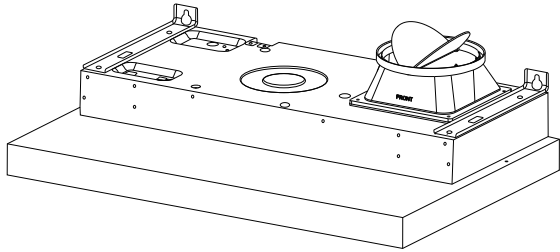


- ⓐ 电源键……………开关机
- ⓑ 低档键……………烟量小时, 希望无声运转时
- ⓒ 中档键……………普通运转
- ⓓ 高档键……………烟量多时, 希望快速换气时
- ⓔ 延时关机键………整机工作状态下可选延时3/6/9  
分钟后关机
- ⓕ 灯开关键……………单独控制灯的开/关

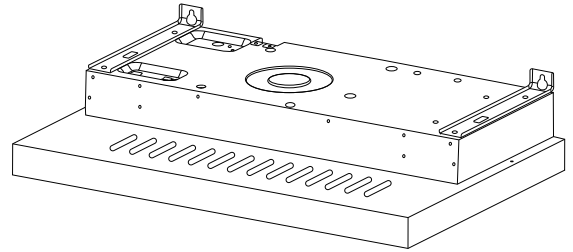
# ■ 准备

## 部件名称

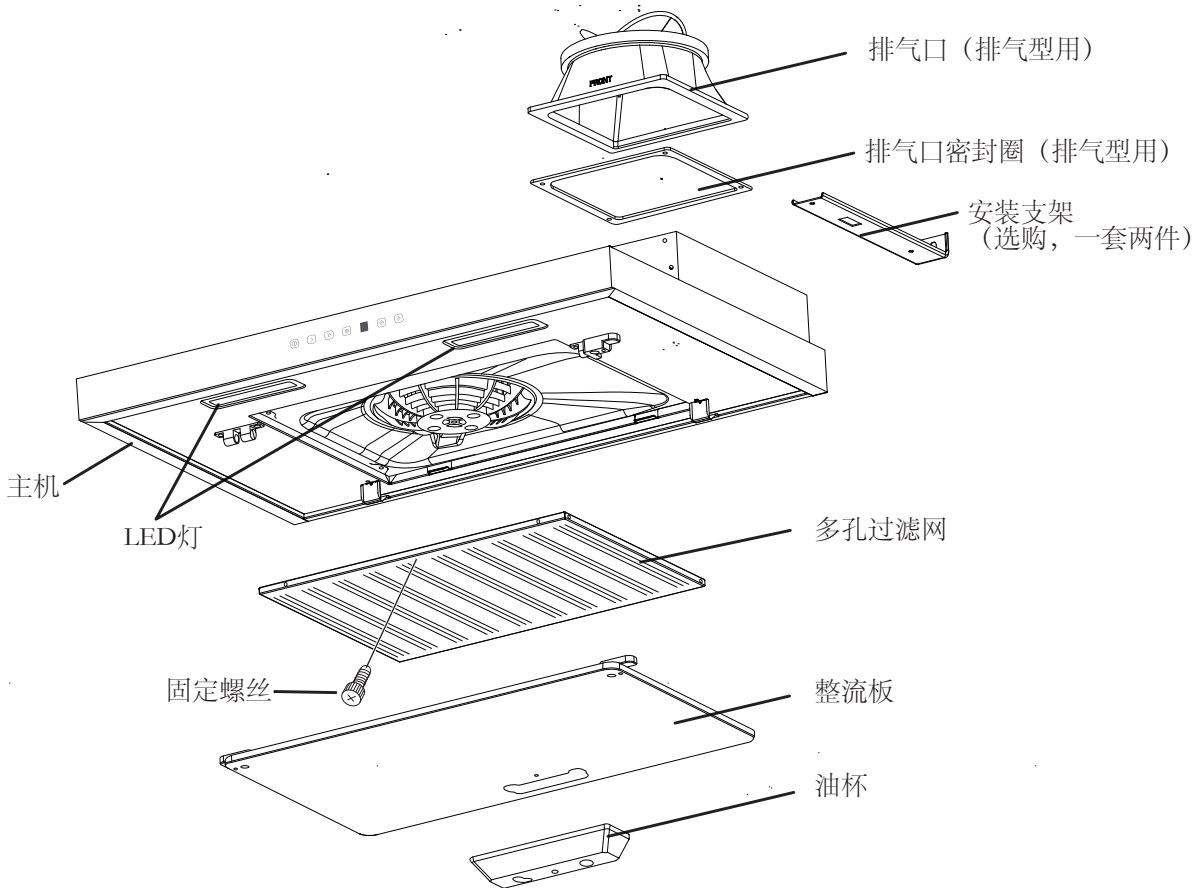
排气型



循环型



准  
备



# 使用须知

- **使用烹饪器具时，务必运行吸油烟机。**  
否则，吸油烟机可能会因温度增高而造成损坏或故障。
- **请勿在未放置任何器具的情况下使用煤气灶。**  
否则，机身可能会因受热而造成故障。
- **防止空调直接吹风。**  
否则，其吸油烟性能可能会降低。  
尤其是当使用电磁炉时，由于上升气流较弱，吸油烟机便很容易在开阔的空间中受到影响。
- **使用电磁炉时，吸油烟机的吸油烟性能可能会因侧风的影响而削弱。**  
此外，如果在低温条件下使用吸油烟机，则其表面会结露。  
此时，应将吸油烟机擦干后再使用。
- **在吸油烟机运行过程中，应注意保持良好的通风环境。**  
在吸油烟机对面的墙体上应留有足够的进风口，或将房间的门稍稍打开。  
否则，吸油烟性能可能减弱，或可能产生异常噪音 / 振动。
- **热水器应与吸油烟机保持 500mm 以上的距离。**  
由于热水器周围温度较高，因此应与吸油烟机保持 500mm 以上的距离。  
切勿将吸油烟机安装在热水器的上方。  
否则，吸油烟机可能会因温度增高而造成损坏或故障。
- **请勿在整流板拆下的情况下使用吸油烟机。**  
否则，吸油烟性能可能因此而降低。
- **吸油烟机在运行的情况下，5小时内若无任何操作，将伴随“哔”的一声后自动关闭电源。**



## ⚠ 注意

### 安全注意事项



禁止接触

- 吸油烟机运转时，切勿将手指或其他物品插入其中。否则会造成故障或伤害。



严禁操作

- 油锅着火时应立即关闭吸油烟机的电源。否则会助长火势，造成危险。



禁止放置物品

- 请勿在吸油烟机上放置任何物品。否则会造成火灾、故障，或因物品掉落而造成伤害。



戴工作手套

- 清洗和维护时务必戴上工作手套。否则会被尖锐的边角划伤。



更换受损的电源线

- 如果电源线受损，必须由制造商、服务代理机构或同等资格的人员予以更换，以免造成危险。



禁止放置物品

- LED 灯发光时，请勿直视，以免对视力造成损伤。



注意

- 当油达到油杯 1/2 时，请及时清理，以防拆除油杯时废油溢出或滴落。



注意安装

- 安装时请务必使用本产品附带的挂钩及塑料膨胀管（混凝土墙面时），以防产品的掉落。



注意安装

- 为防止产品掉落，使用塑料膨胀管时，请配用相应规格的钻头，并尽量使二者间无间隙。



注意

- 必须说明器具排出气体的方法。



注意

- 仅限使用附属螺丝。  
如果不按此说明、使用其他螺丝或固定装置安装，可能会造成电气故障。



注意

- 本产品 LED 灯的更换，请联系 FUJIOH 或代理商。

## 警告



注意通风

- 吸油烟机与使用燃气或其他燃料的用具同时使用时，应确保足够的通风空间。（不适用于仅将气体回排室内的用具。）



注意调节

- 必须进行排气管调节。



要求监督

- 体质虚弱者、感官能力或精神状况较差者（包括儿童），或缺乏经验和知识者不宜使用本产品，除非有专人负责其安全并为其提供与本产品使用相关的监督或指导。应对儿童加以监管，切勿让其玩弄本产品。



经常清洁

- 如果未按说明进行清洁，可能会引发火灾。



严禁烧烤

- 禁止在吸油烟机下方烧烤食品。

## 注意



注意安装

- 选择坚固的位置，牢固安装本产品。否则机体掉落将会造成伤害。



严禁注入空气

- 不得向用于排烟（从使用煤气或其他燃料的器具中产生的废气）的烟道注入空气。



注意安装

- 煤气灶上烹饪器具的支撑面与吸油烟机主机最低部分之间的最小距离。当吸油烟机位于煤气灶上方时，此距离应保持在 650mm 以上。如果煤气灶的安装说明书规定有较大的间距，则必须将其考虑在内。



捏住电源插头的端部拔掉插头

- 断开电源时，应捏住电源插头的端部将插头拔掉，不要拽拉电线。否则会使电线受损，并可能引起火灾或电击。



拔下电源插头

- 长时间不使用时，务必将电源插头从插座上拔下或关闭断路器开关。否则会造成绝缘性能受损，并可能引起火灾或电击。



禁止使用

- 切勿在浴室等潮湿的场所使用本产品。（请使用浴室专用换气扇。）否则可能造成火灾或故障。



注意组装

- 要确实地安装好取下的部件。否则部件掉落会造成伤害。



注意组装

- 必须根据有关标准或规定安全布设电线。布线不当会造成火灾或电击。



禁止接触

- 使用烹饪用具时，吸油烟机周围部件会变热，不要在烹饪过程中接触过滤网和周围的部件。否则会使过滤网或部件脱落，造成烫伤或其他伤害。

# 安全注意事项

- 安装及使用本产品前，应阅读以下安全注意事项，以便正确、安全地安装吸油烟机。
- 这些安全注意事项旨在正确安装本产品，以防对自己或他人造成危险或伤害。根据危险性和损害程度，安全注意事项分为“警告”和“注意”两个等级。由于这些注意事项对于安全至关重要，因此务必加以注意并严格予以遵守。



**警告**

表示会导致重大人身伤亡。



**注意**

表示会导致人身伤害或物品损坏。

## 警告



4 眼炉灶以下

● 本吸油烟机的设计应安装于炉架之上，且该炉架上最多不超过四个电灶头或炉子。



严禁拆卸、修理或改动

● 切勿自行拆卸、修理或改动。  
应请合格技术人员进行操作，否则可能造成火灾、电击或异常情况。



禁止使用

● 电压超过 220V/230V/240V AC 的地方禁止使用。  
否则可能造成火灾或电击。



注意组装

● 必须由专业安装人员正确布线。  
布线不当可能造成漏电或火灾。



注意安装

● 应至少由 2 人进行安装工作。  
吸油烟机的重量约为 11kg (FR-MS1970V) , 11.2kg (FR-MS1970R) , 12.1kg (FR-MS1990V) , 12.4kg (FR-MS1990R) 。



拔下电源插头

● 保养和维护时，务必从插座上拔下电源插头，或关闭断路器开关。  
此外，请勿用湿手接触电源插头或断路器。  
否则会导致电击或人身伤害。



擦除灰尘

● 应经常清洁电源插头，以免灰尘积聚。  
否则会导致火灾。



严禁喷水

● 严禁向任何电子部件喷水。  
否则会造成火灾或电击。



严禁操作

● 煤气泄漏时，严禁操作吸油烟机的开关。  
否则会造成煤气爆炸。



注意通风

● 选择通风良好的位置进行安装。  
使用自然排气式炉具等时，如果通风换气不良会造成一氧化碳中毒。

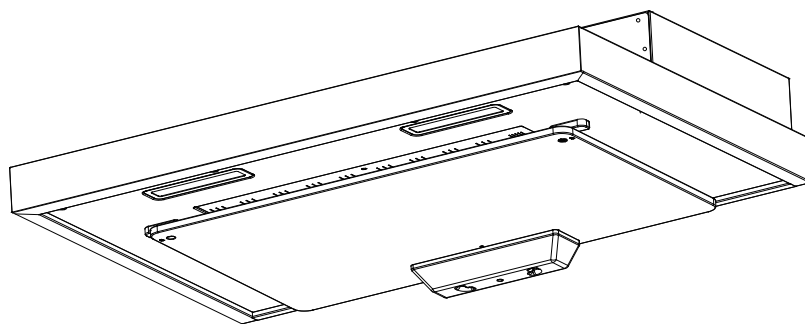
**-FUJIOH-**

# 吸 油 烟 机

FR-MS1970V/1990V(排气型)

FR-MS1970R/1990R (循环型)

## 安 装 及 操 作 手 册



### 目 录

安全注意事项 .....	2~5	运行检查 .....	13
使用须知 .....	5	<b>维 护</b> .....	<b>13~15</b>
<b>准 备</b> .....	<b>6, 7</b>	维护注意事项 .....	13
部件名称 .....	6, 7	分离 / 安装要清洗部件 .....	14, 15
操作按键 .....	7	清 洁 .....	15
<b>安 装</b> .....	<b>8~13</b>	<b>其他信息</b> .....	<b>16, 17</b>
安装前的准备和检查 .....	8, 9	规 格 .....	16
安装吸油烟机 .....	10~12	电 路 图 .....	16
		诊 断 故 障 .....	17
		修 理 与 保 修 .....	17

敬告零售店及安装单位：  
在安装施工结束后，务必请  
将本使用说明书呈交顾客。

感谢购买本公司吸油烟机。  
安装 / 操作吸油烟机之前，请通读此说明书。  
阅读后，请妥善保管此说明书。