

# HOOD/ FR-SC2070/90/11



## Immaculate Outside In

中も外も、キレイがつづく。

A fusion cooker hood of an ergonomic inclined design and easy cleaning feature bringing cleanliness to a revolutionized preminent level. Your cooker hood has never been cleaner than before, both outside in.



## ADVANCED FUNCTIONS

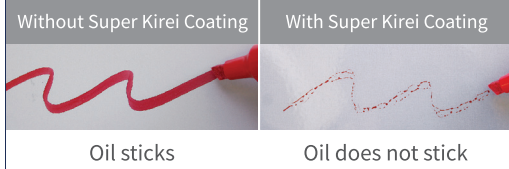
### 01/ Super Kirei Fan



- Eliminates the accumulation of oil and stain buildup on fan
- Repels and induces oil from cooking fumes to accumulate in oil tray
- Keeps fan and internal body of cooker hood clean for longer time



#### Permanent Marker Test on Super Kirei Fan



### 02/ Advanced Technology in Oil Capturing



- Oil separation process filtrates captured fumes into oil
- Oil flows into the oil tray with the help of rectifier panel, aqua slit filter and sirocco fan

### 03/ Advanced Technology in Fume Capturing



- Adjustable suction from bottom of Rectifier Panel to improve suction power from upper, left, and right side
- Capture more fumes efficiently

### 04/ Ergonomic Inclined Design



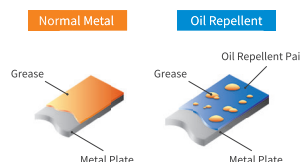
- Sleek and stylish design
- Lower positioning to hob helps in smooth and efficient absorption of cooking fumes

### 05/ Easy Maintenance



#### Aqua Slit Filter

- Hydrophilic Coating
- The filter can be easily washed with only water



#### Oil Repellent Paint

- Oil repellent paint is processed on all surfaces
- Easy to wipe and clean

\*3 years warranty for motor • 1 year warranty for other parts  
Warranty Terms and Conditions apply  
Product images are for illustrative purposes only and may differ from the actual product

## COLORS



**XBK/** Texture Black



**XW/** Texture White

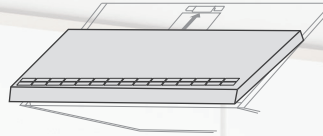


**SM/** Silver Metallic



**RS/** Rich Silver

## PARTS INCLUDED

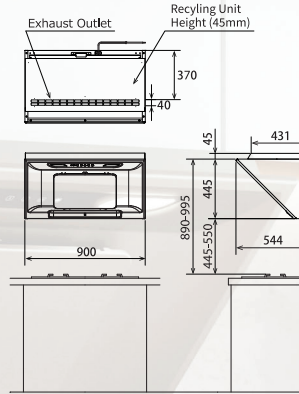


**Recycling Unit**  
(Only for FR-SC2090R)

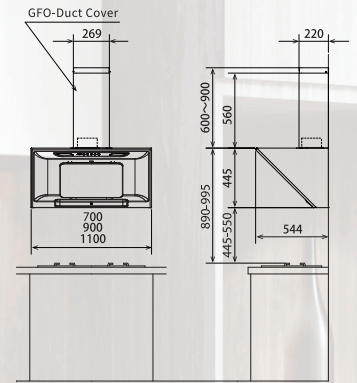


**GFO-Duct Cover**  
(Only for FR-SC2070V/90V/11V)

## INSTALLATIONS



FR-SC2090R  
(Recycling) [mm]



FR-SC2070V/90V/11V  
(Ventilating) [mm]

\*Product images are for illustrative purposes only and may differ from the actual product.

## SPECIFICATIONS

Type	FR-SC2090R ( <b>RECYCLING</b> )	FR-SC2070V/90V/11V ( <b>VENTILATING</b> )
Material	(Body) SGCC (Switch Panel) Glass	
Dimensions [mm]	W900 x D544 x H490	W700/900/1100 x D544 x H1045~1345
Weight [kg]	21	(700) 19/(900) 21/(1100) 23
Power Consumption [W] (220/230/240V)	160/170/180	
Voltage [V/Hz]	220-240/50	
Duct Diameter [mm]	-	Φ150
Air Flow [m <sup>3</sup> /h] (220/230/240V)	495/500/505	700/705/710
Sound Level [dB] (220/230/240V)	52/52/52	55/55/56
Oil Capturing Ratio [%]	92	85
Switch	Touch Switch	
Speed	3 Speeds	
Hood Body	Oil Repellent Paint	
Fan	Super Kirei Coating	
Rectifier Panel	Oil Repellent Paint	
Filter	Aqua Slit Filter (Hydrophilic Coating)	
Oil Tray	Oil Repellent Paint (External Surface)	
Lighting	LED 1.5W x 2	

\*All specification are based on stringent in-house test results conducted in Fuji Industrial Co. Ltd, Japan

