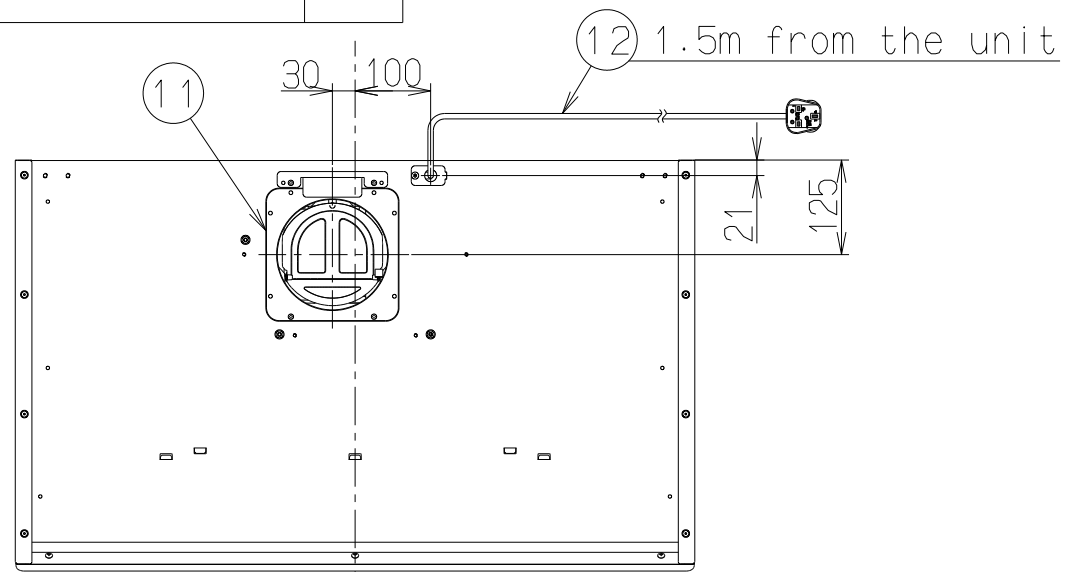
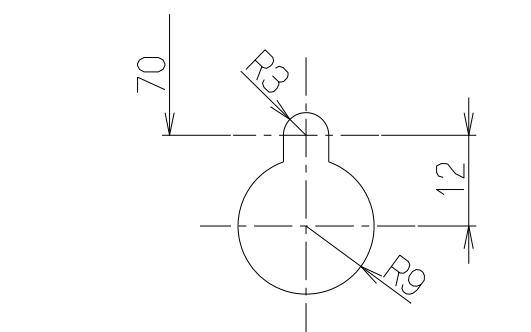
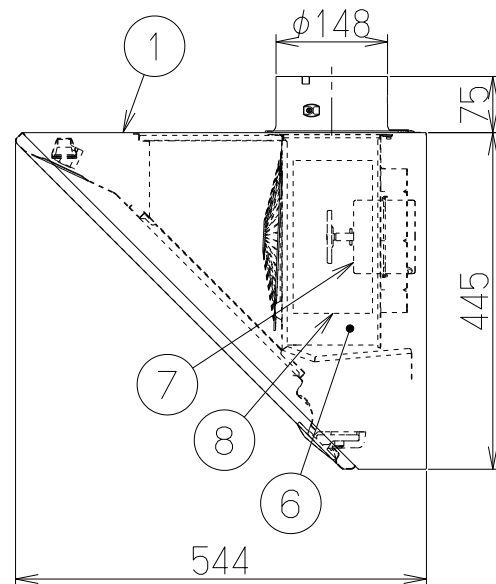
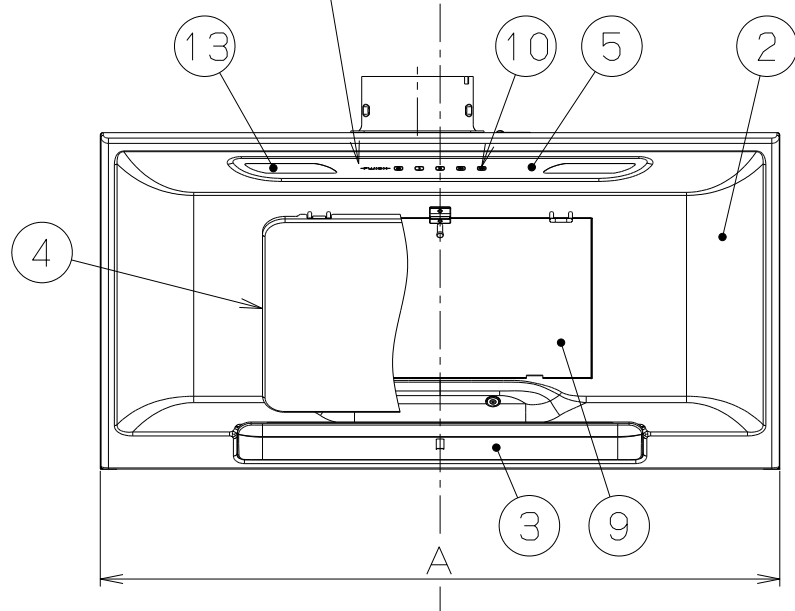


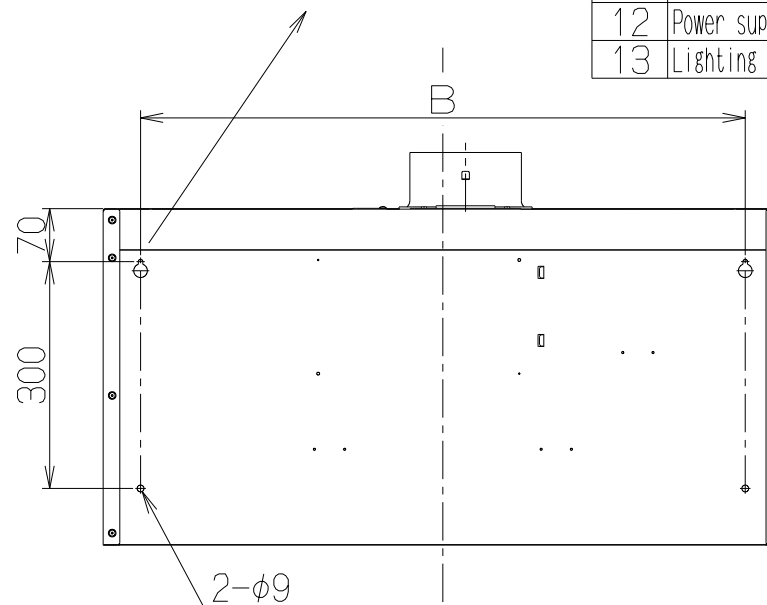
Mark	Revised record	Date
△		



Logo mark



Detail: Installation hole



Accessories  
 Round washer head Screw (φ5.1 x 45mm) -----4pcs  
 Soft tape-----1pc

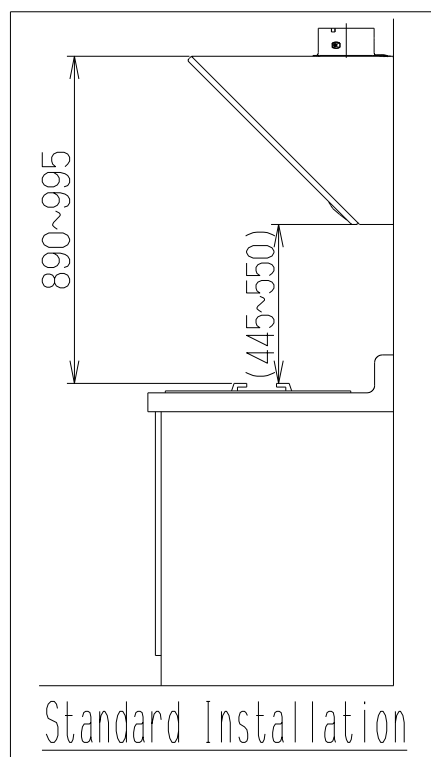
Major Parts				
No.	Parts	Material	Finish	Color
1	Hood body	Galvanized steel	Oil repelling painting	Refer to column.
2	Oil panel	Galvanized steel	Oil repelling painting	Refer to column.
3	Oil tray	Galvanized steel (Plastic inside)	Oil repelling painting	Refer to column.
4	Rectifier baffle panel	Galvanized steel	Oil repelling painting	Refer to column.
5	Glass panel	Tempered glass		Black
6	Blower unit	Galvanized steel		
7	Motor	4 pole capacitor motor, class B		
8	Fan	Galvanized steel (Sirocco Fan)	Super kirei coating	
9	Filter	Galvanized steel	Hydrophilic painting	Aqua Slit Filter
10	Switch	Static electrical switch Timer (3 min), Low, Med, Hi, Light		
11	Exhaust port	Galvanized steel	Shutter is attached.	*Accessories
12	Power supply cord	Cable (with a plug)		
13	Lighting	LED (Daylight color, 1.5 W) x 2 pcs		

Specifications

Model	Voltage (V)	Speed	Frequency (Hz)	Power Consumption (W)	Airflow (m³/h)		Sound (dB)	Weight (kg)
					0 Pa			
FR-SC2070P	220	Hi	50	160	700	---	55	19.0
		Med		125	625	---	52	
		Low		85	460	---	45	
FR-SC2090P	230	Hi	50	170	705	---	55	21.0
		Med		135	635	---	53	
		Low		95	485	---	46	
FR-SC2011P	240	Hi	50	180	710	---	56	23.0
		Med		140	650	---	53	
		Low		100	510	---	47	

Motor type	4 Pole capacitor motor	Insulation: Over 10MΩ resistance; (500V megger)	Withstanding voltage	AC1000V for 1 min	Insulation class	B
------------	------------------------	---	----------------------	-------------------	------------------	---

Airflow measured by JIS C9603 chamber method



1000	1100	FR-SC2011P XW	1F9111HW	Oil Repellent Texture White	---
		FR-SC2011P XBK	1F9111HB	Oil Repellent Texture Black	---
		FR-SC2011P RS	1F9111AJ	Rich Silver	---
		FR-SC2011P SM	1F9111AA	Silver Metallic	---
		FR-SC2011P W	1F9111XP	White	---
800	900	FR-SC2090P XW	1F9110HW	Oil Repellent Texture White	---
		FR-SC2090P XBK	1F9110HB	Oil Repellent Texture Black	---
		FR-SC2090P RS	1F9110AJ	Rich Silver	---
		FR-SC2090P SM	1F9110AA	Silver Metallic	---
		FR-SC2090P W	1F9110XP	White	---
600	700	FR-SC2070P XW	1F9109HW	Oil Repellent Texture White	---
		FR-SC2070P XBK	1F9109HB	Oil Repellent Texture Black	---
		FR-SC2070P RS	1F9109AJ	Rich Silver	---
		FR-SC2070P SM	1F9109AA	Silver Metallic	---
		FR-SC2070P W	1F9109XP	White	---
B	A	Model	Product code	Color	Note
		Created date	26/ 6/2020	Product category	Cooker Hood
		Updated date	18/10/2022	Model	FR-SC2070/90/11P
FUJI INDUSTRIAL CO., LTD.		Scale	1/10	Product outline drawing	