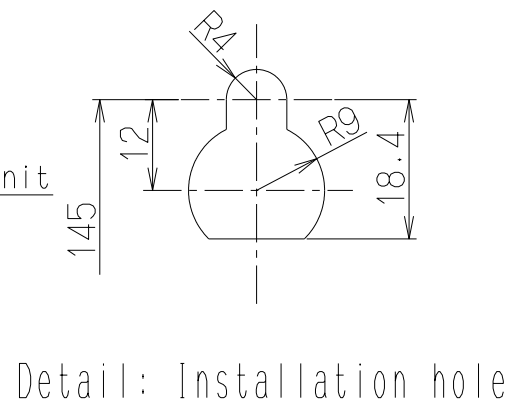
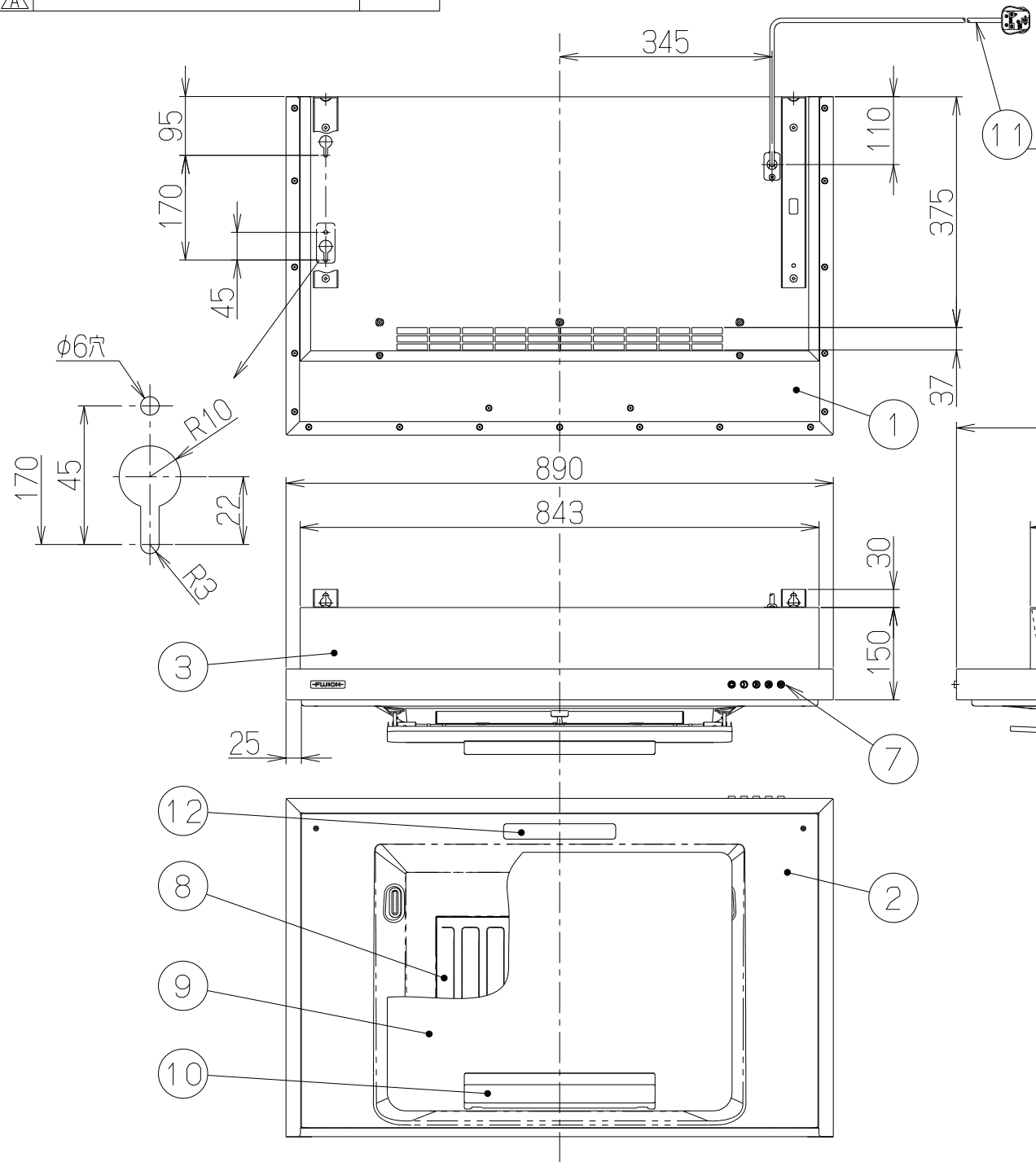
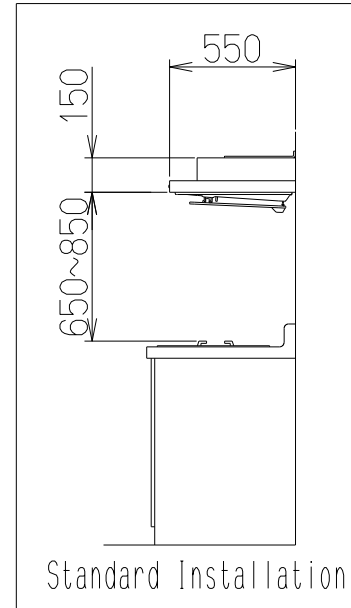
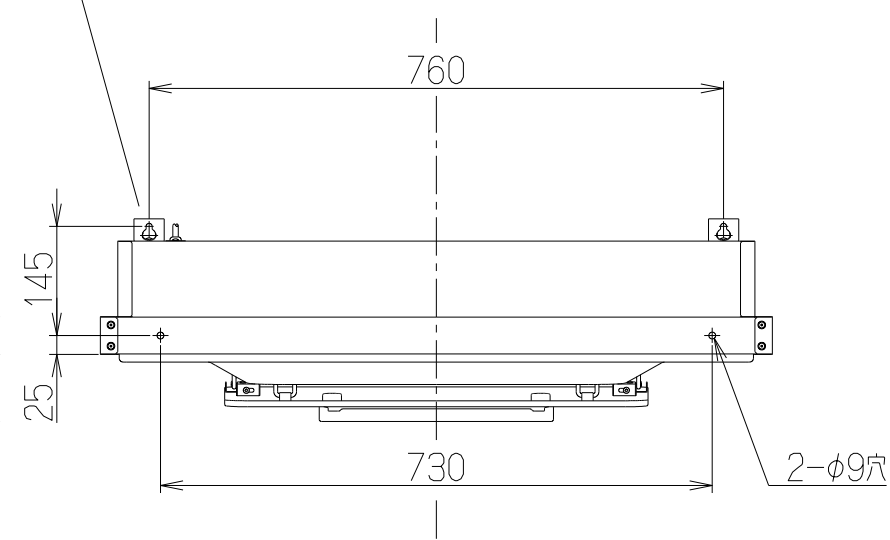
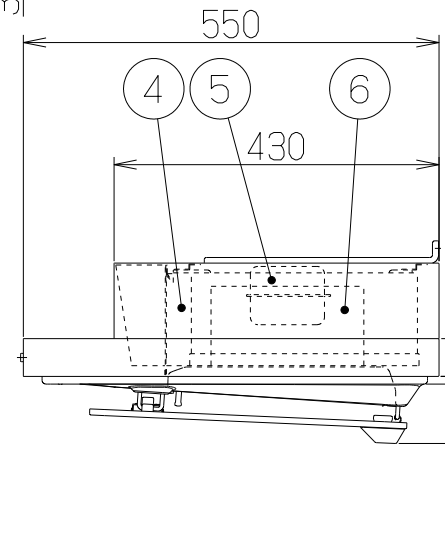


Mark	Revised record	Date
△		



Major Parts				
No.	Parts	Material	Finish	Color
1	Hood body	Galvanized steel	Oil repellent coating	Refer to column
2	Oil panel	Galvanized steel	Oil repellent coating	Refer to column
3	Body	Galvanized steel	Oil repellent coating	Refer to column
4	Blower unit	Galvanized steel		
5	Motor	4 pole capacitor motor, Class E		
6	Fan	Galvanized steel	Super Kirei Coating	Clear
7	Switch	Mechanical switch (Off, Low, Med, Hi, Light)		
8	Filter	Galvalume steel (Aqua Slit Filter, double layer)		
9	Rectifier panel	Galvanized steel	Oil repellent coating	Refer to column.
10	Oil tray	Rosin		*Accessories
11	Power supply cord	Cable (without a plug)		
12	Lighting	LED (Daylight white color), 3.5 Wx1 pc		



- Accessories
- Washer-head wood screw (φ5.1x45)-----4pcs
 - [For wall-mounted installation -----4pcs
 - [For upper side-mounted installation---2pcs
 - (For the back of the hood)
 - Washer-head wood screw (φ5.1x25)-----6pcs
 - [For upper side-mounted installation---6pcs]

Specifications

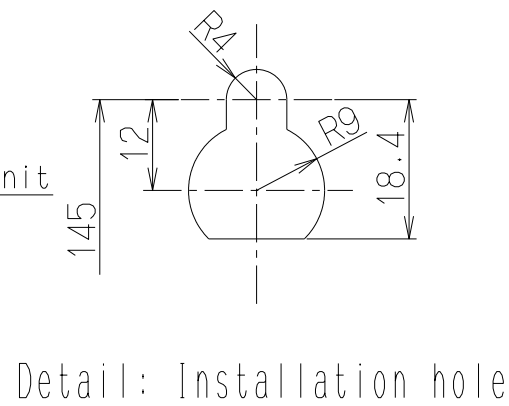
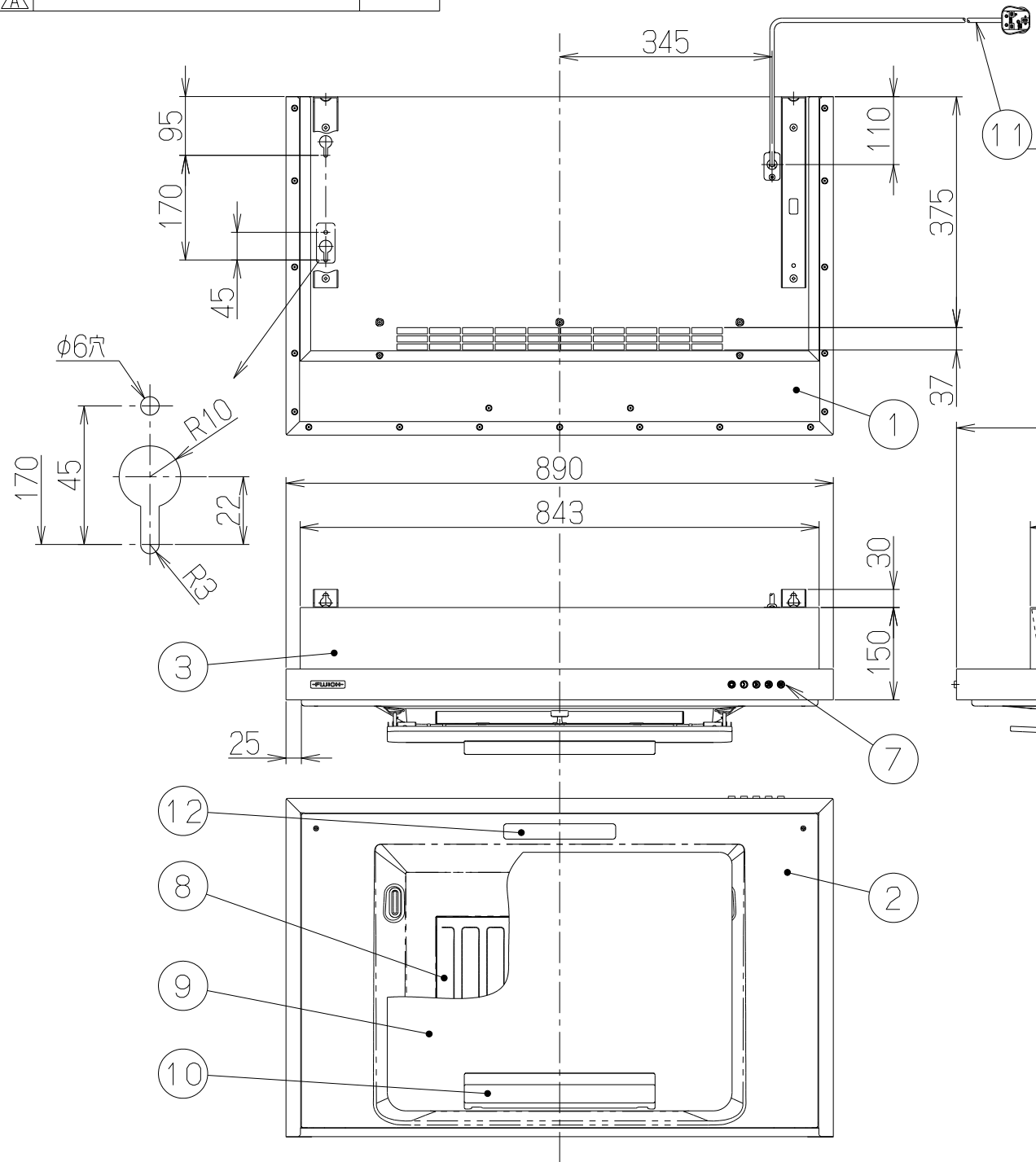
Model	Voltage (V)	Speed	Frequency (Hz)	Power Consumption (W)	Airflow (m³/h)		Sound (dB)	Weight (kg)
					0 Pa			
FR-FS2290RP	220	Hi	50	90	395		53	18
		Med		65	340		49	
		Low		50	285		45	
	230	Hi	50	95	400		53	
		Med		70	350		50	
		Low		55	300		46	
240	Hi	50	100	405		53		
	Med		75	360		51		
	Low		60	310		47		

Motor type	4 Pole capacitor motor	Insulation resistance: Over 10MΩ (500V megger)	Withstanding voltage	AC1000V for 1 min	Insulation class	E
------------	------------------------	--	----------------------	-------------------	------------------	---

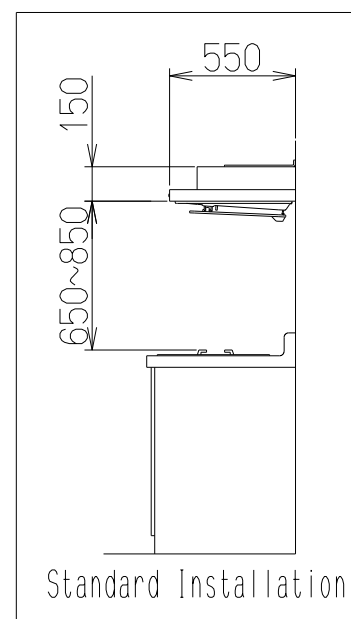
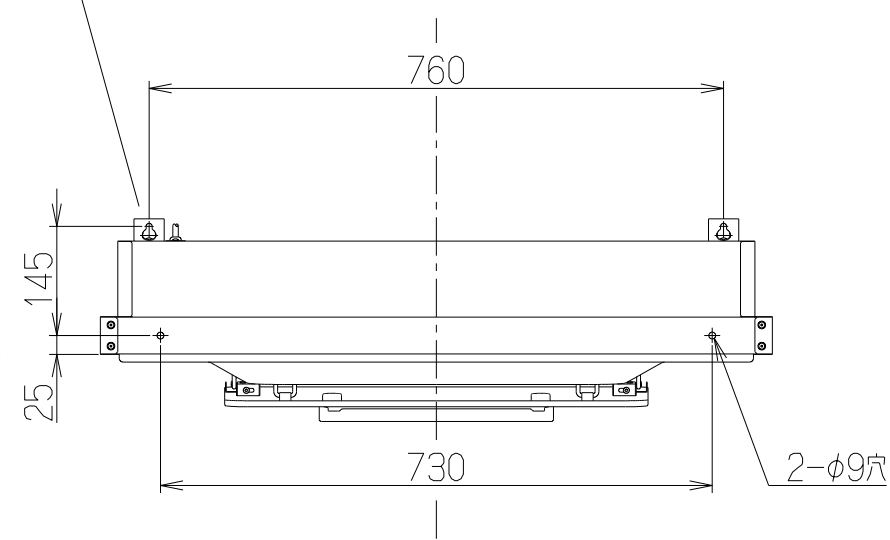
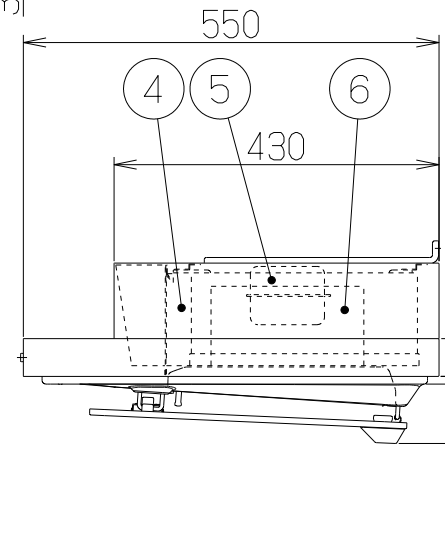
Airflow measured by JIS C9603 chamber method

FR-FS2290RP XW	1F9127HW	Oil Repellent Texture White	
FR-FS2290RP XBK	1F9127HB	Oil Repellent Texture Black	
FR-FS2290RP RS	1F9127AJ	Rich Silver	
FR-FS2290RP SM	1F9127AA	Silver Metallic	
Model	Product code	Color	Note
Created date	2/ 7/2022	Product category	Cooker Hood
Updated date	**/**/****	Model	FR-FS2290RP
FUJI INDUSTRIAL CO., LTD.	Scale 1/10	Product outline drawing	

Mark	Revised record	Date
△		



Major Parts				
No.	Parts	Material	Finish	Color
1	Hood body	Galvanized steel	Oil repellent coating	Refer to column
2	Oil panel	Galvanized steel	Oil repellent coating	Refer to column
3	Body	Galvanized steel	Oil repellent coating	Refer to column
4	Blower unit	Galvanized steel		
5	Motor	4 pole capacitor motor, Class E		
6	Fan	Galvanized steel	Super Kirei Coating	Clear
7	Switch	Mechanical switch (Off, Low, Med, Hi, Light)		
8	Filter	Galvalume steel (Aqua Slit Filter, double layer)		
9	Rectifier panel	Galvanized steel	Oil repellent coating	Refer to column.
10	Oil tray	Rosin		*Accessories
11	Power supply cord	Cable (without a plug)		
12	Lighting	LED (Daylight white color), 3.5 Wx1 pc		



- Accessories
- Washer-head wood screw (φ5.1x45) ----- 4pcs
 - [For wall-mounted installation ----- 4pcs
 - [For upper side-mounted installation --- 2pcs
 - (For the back of the hood)
 - Washer-head wood screw (φ5.1x25) ----- 6pcs
 - [For upper side-mounted installation --- 6pcs]

Specifications

Model	Voltage (V)	Speed	Frequency (Hz)	Power Consumption (W)	Airflow (m³/h)		Sound (dB)	Weight (kg)
					0 Pa			
FR-FS2290RP	220	Hi	50	90	395		53	18
		Med		65	340		49	
		Low		50	285		45	
	230	Hi	50	95	400		53	
		Med		70	350		50	
		Low		55	300		46	
	240	Hi	50	100	405		53	
		Med		75	360		51	
		Low		60	310		47	

Motor type	4 Pole capacitor motor	Insulation: Over 10MΩ resistance; (500V megger)	Withstanding voltage	AC1000V for 1 min	Insulation class	E
------------	------------------------	---	----------------------	-------------------	------------------	---

Airflow measured by JIS C9603 chamber method

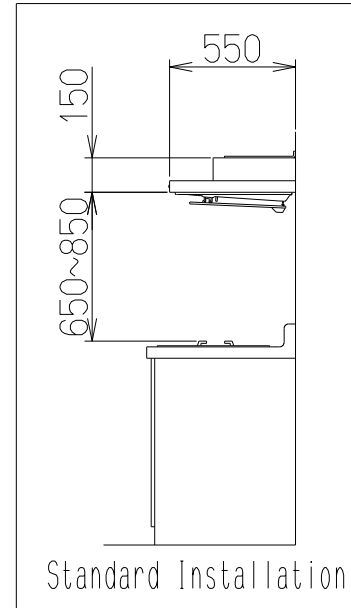
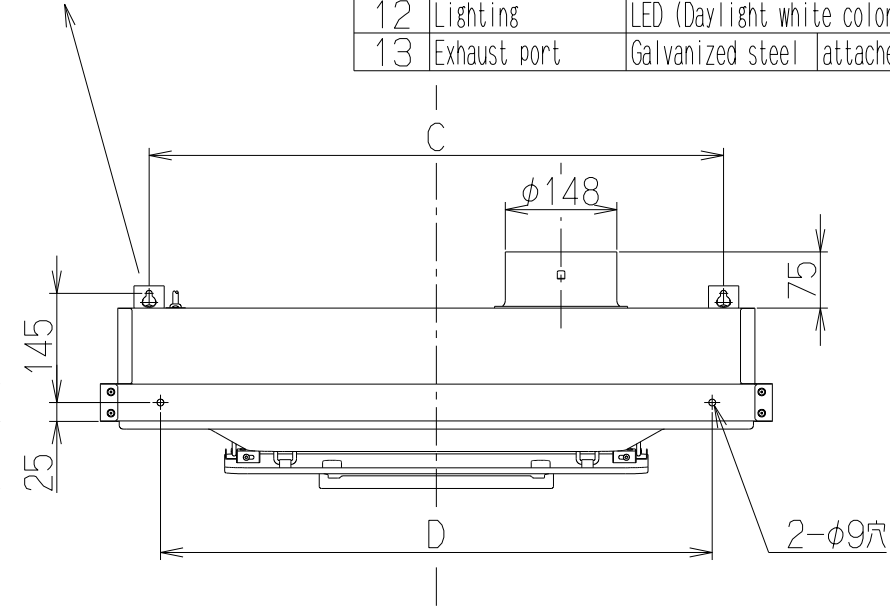
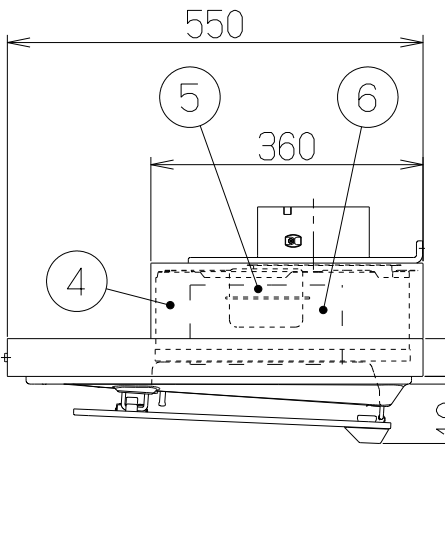
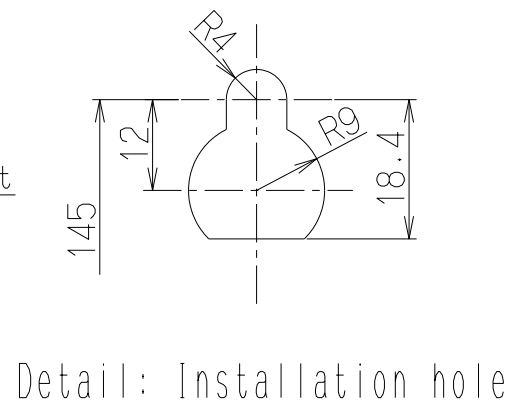
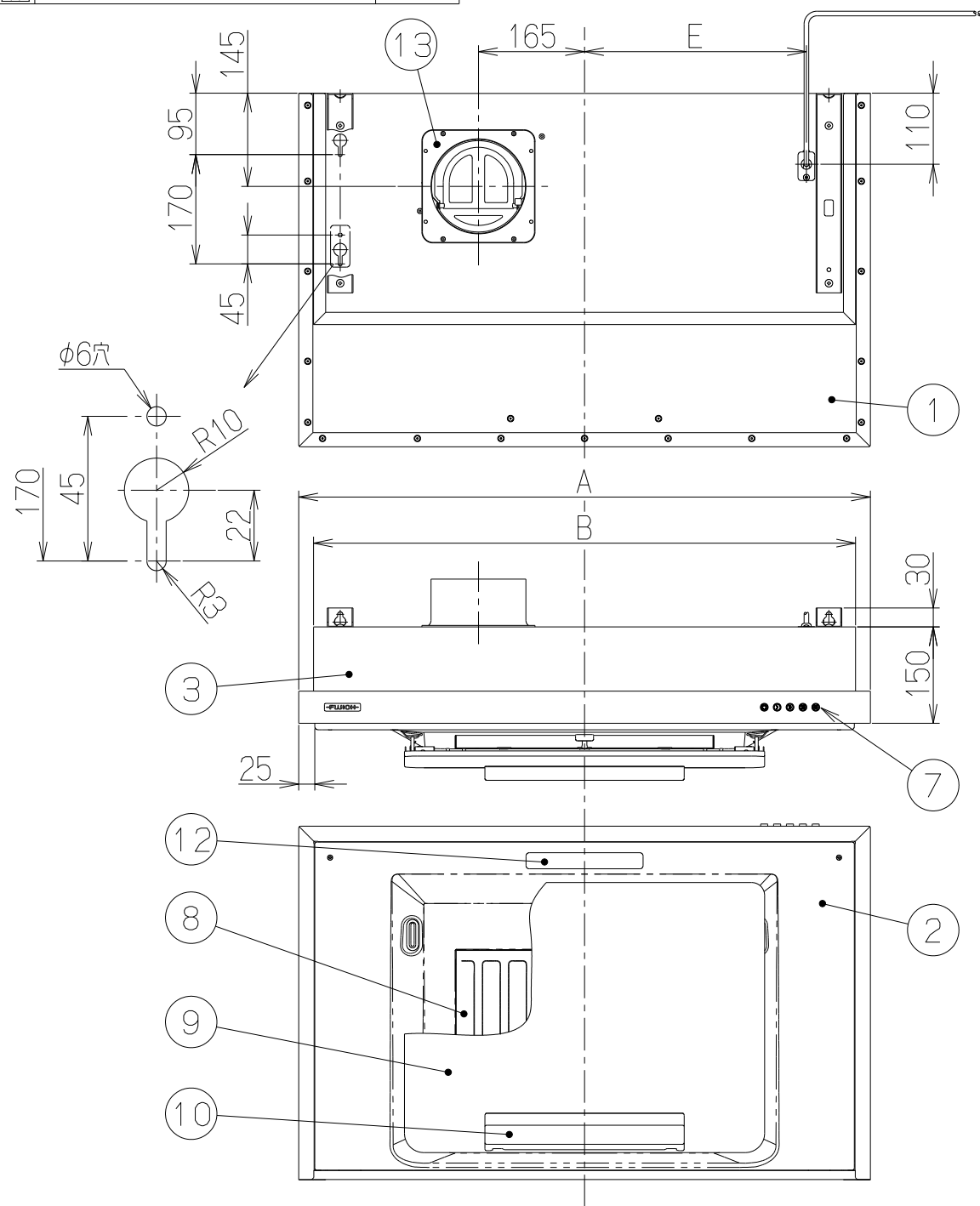
Note) 1. Since this model has two-tone specification, the color tone is stated as follows.

Example) In case of SMRS:

Hood Body / Rectifier Panel ... Silver Metallic
 Oil Panel / Body Rich Silver

FR-FS2290RP XWSM	1F913000	Oil Repellent Texture White / Silver Metallic	
FR-FS2290RP XBKSM	1F912900	Oil Repellent Texture Black / Silver Metallic	
FR-FS2290RP SMRS	1F912800	Silver Metallic / Rich Silver	
Model	Product code	Color	Note
Created date	2/ 7/2022	Product category	Cooker Hood
Updated date	**/**/****	Model	FR-FS2290RP
FUJI INDUSTRIAL CO., LTD.	Scale 1/10	Product outline drawing	

Mark	Revised record	Date
△		



- Accessories
- Washer-head wood screw (φ5.1x45) -----4pcs
 - [For wall-mounted installation -----4pcs]
 - [For upper side-mounted installation---2pcs (For the back of the hood)]
 - Washer-head wood screw (φ5.1x25) -----6pcs
 - [For upper side-mounted installation---6pcs]
 - Fixing screw(M4x8) -----4pcs
 - Soft tape -----1pc

Major Parts				
No.	Parts	Material	Finish	Color
1	Hood body	Galvanized steel	Oil repellent coating	Refer to column
2	Oil panel	Galvanized steel	Oil repellent coating	Refer to column
3	Body	Galvanized steel	Oil repellent coating	Refer to column
4	Blower unit	Galvanized steel		
5	Motor	4 pole capacitor motor, Class E		
6	Fan	Galvanized steel	Super Kirei Coating	Clear
7	Switch	Mechanical switch (Off, Low, Med, Hi, Light)		
8	Filter	Galvalume steel (Aqua Slit Filter, single layer)		
9	Rectifier panel	Galvanized steel	Oil repellent coating	Refer to column.
10	Oil tray	Rosin		*Accessories
11	Power supply cord	Cable cable (without a plug)		
12	Lighting	LED (Daylight white color), 3.5 Wx1 pc		
13	Exhaust port	Galvanized steel	attached shutter	*Accessories

Specifications

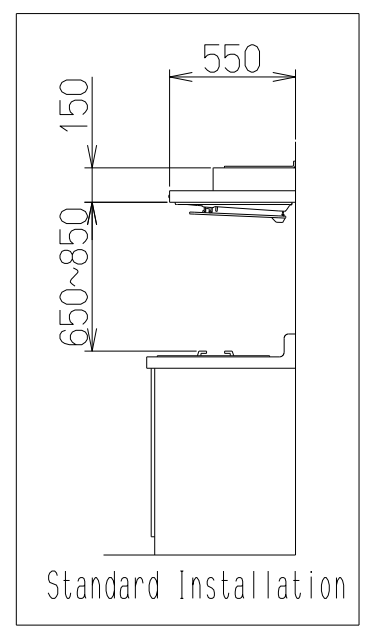
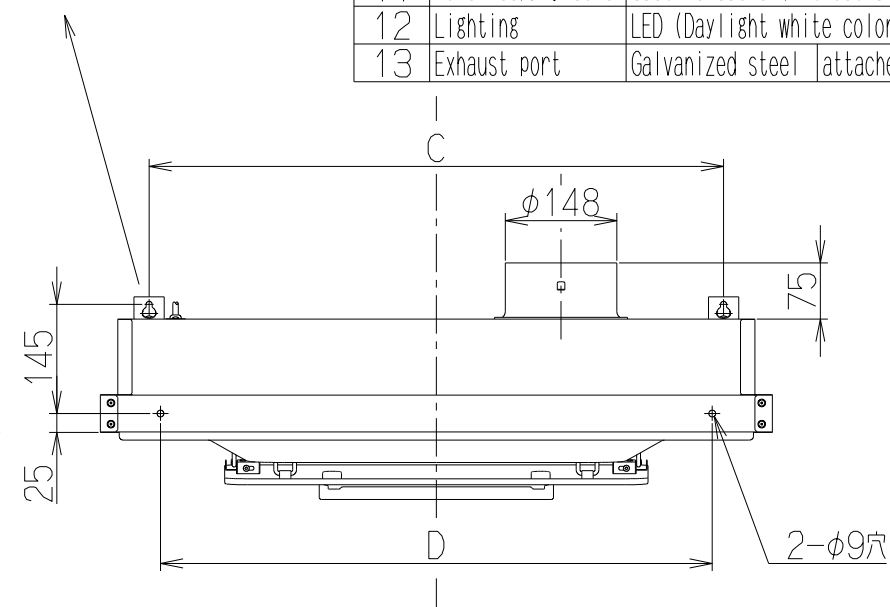
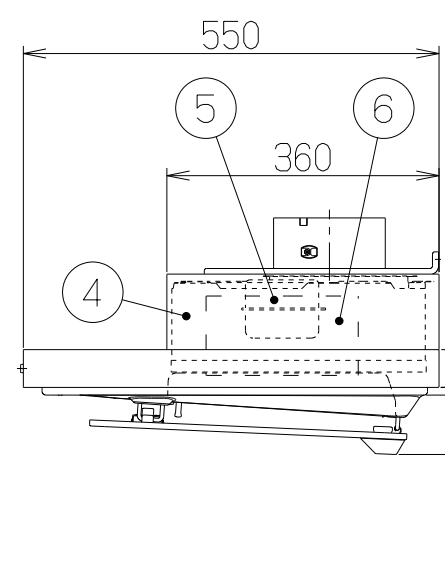
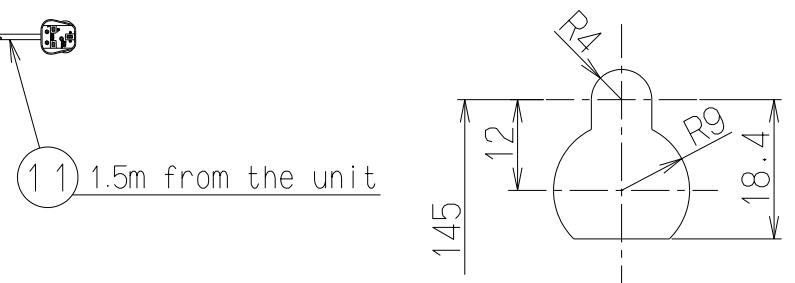
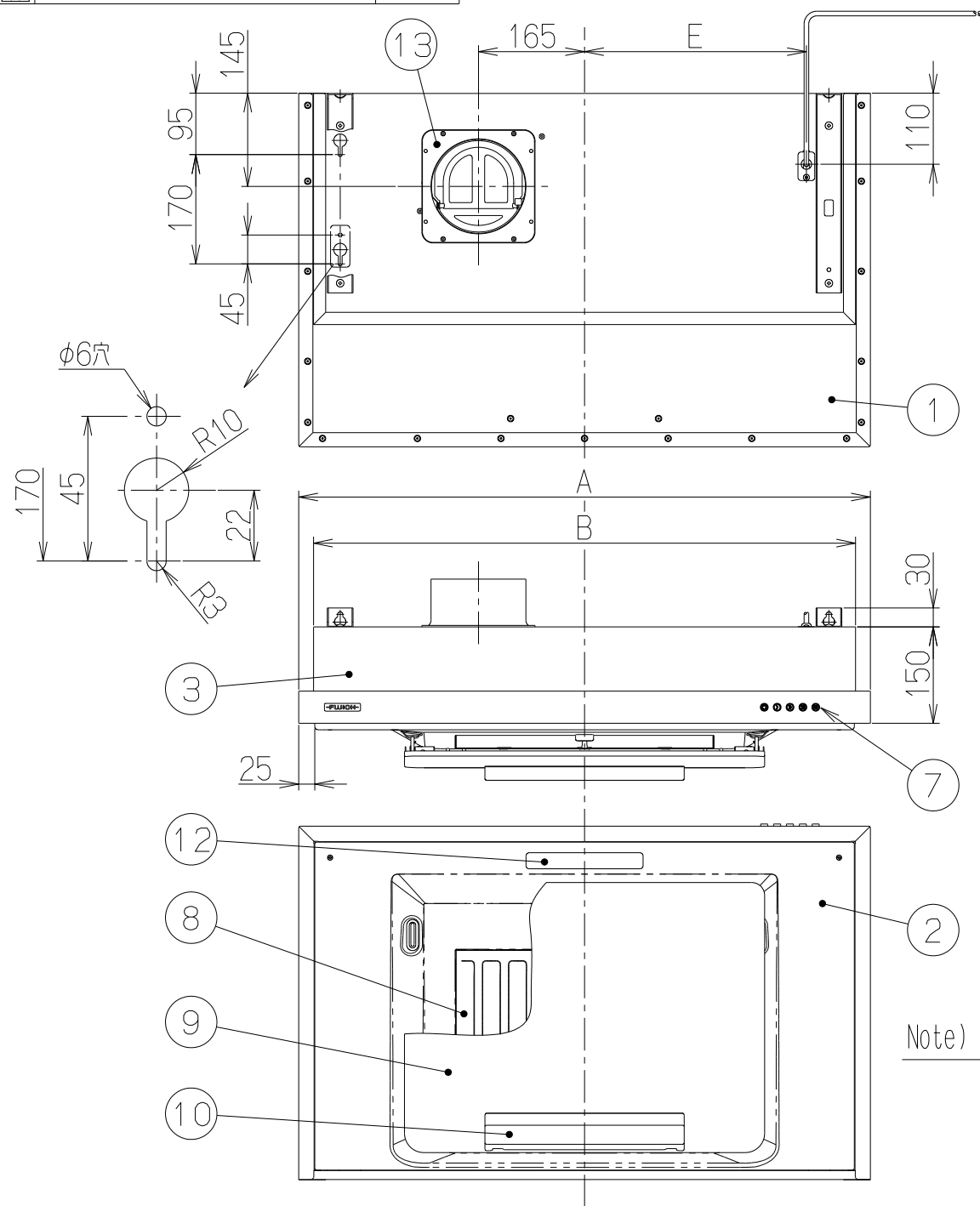
Model	Voltage (V)	Speed	Frequency (Hz)	Power Consumption (W)	Airflow (m³/h)	Sound (dB)	Weight (kg)
FR-FS2270VP	220	Hi	50	105	545	50	15
		Med		75	420	45	
		Low		55	330	39	
FR-FS2290VP	230	Hi	50	110	555	51	17
		Med		80	440	46	
		Low		60	350	40	
	240	Hi	50	115	565	52	
		Med		85	460	47	
		Low		65	370	41	

Motor type	4 Pole capacitor motor	Insulation: Over 10MΩ resistance; (500V megger)	Withstanding voltage	AC1000V for 1 min	Insulation class	E
------------	------------------------	---	----------------------	-------------------	------------------	---

Airflow measured by JIS C9603 chamber method

345	730	760	843	890	FR-FS2290VP XW	1F9120HW	Oil Repellent Texture White	---
					FR-FS2290VP XBK	1F9120HB	Oil Repellent Texture Black	---
					FR-FS2290VP RS	1F9120AJ	Rich Silver	---
					FR-FS2290VP SM	1F9120AA	Silver Metallic	---
250	530	570	653	700	FR-FS2270VP XW	1F9119HW	Oil Repellent Texture White	---
					FR-FS2270VP XBK	1F9119HB	Oil Repellent Texture Black	---
					FR-FS2270VP RS	1F9119AJ	Rich Silver	---
					FR-FS2270VP SM	1F9119AA	Silver Metallic	---
E	D	C	B	A	Model	Product code	Color	Note
					Created date	2/ 7/2022	Product category	Cooker Hood
					Updated date	**/**/****	Model	FR-FS2270/90VP
					FUJI INDUSTRIAL CO., LTD.	Scale 1/10		Product outline drawing

Mark	Revised record	Date
△		



Major Parts				
No.	Parts	Material	Finish	Color
1	Hood body	Galvanized steel	Oil repellent coating	Refer to column
2	Oil panel	Galvanized steel	Oil repellent coating	Refer to column
3	Body	Galvanized steel	Oil repellent coating	Refer to column
4	Blower unit	Galvanized steel		
5	Motor	4 pole capacitor motor, Class E		
6	Fan	Galvanized steel	Super Kirei Coating	Clear
7	Switch	Mechanical switch (Off, Low, Med, Hi, Light)		
8	Filter	Galvalume steel (Aqua Slit Filter, single layer)		
9	Rectifier panel	Galvanized steel	Oil repellent coating	Refer to column.
10	Oil tray	Rosin		*Accessories
11	Power supply cord	Cable cable (without a plug)		
12	Lighting	LED (Daylight white color), 3.5 W×1 pc		
13	Exhaust port	Galvanized steel	attached shutter	*Accessories

Note) 1. Since this model has two-tone specification, the color tone is stated as follows.

Example) Incase of SMRS:
 Hood Body / Rectifier Panel ... Silver Metallic
 Oil Panel / Body Rich Silver

- Accessories
- Washer-head wood screw (φ5.1x45) -----4pcs
 [For wall-mounted installation -----4pcs
 For upper side-mounted installation---2pcs
 (For the back of the hood)]
 - Washer-head wood screw (φ5.1x25) -----6pcs
 [For upper side-mounted installation---6pcs]
 - Fixing screw(M4×8) -----4pcs
 - Soft tape -----1pc

Specifications

Model	Voltage (V)	Speed	Frequency (Hz)	Power Consumption (W)	Airflow (m ³ /h)		Sound (dB)	Weight (kg)
					0 Pa			
FR-FS2270VP	220	Hi	50	105	545	---	50	15
		Med		75	420	---	45	
		Low		55	330	---	39	
FR-FS2290VP	230	Hi	50	110	555	---	51	17
		Med		80	440	---	46	
		Low		60	350	---	40	
	240	Hi	50	115	565	---	52	
		Med		85	460	---	47	
		Low		65	370	---	41	

Motor type	4 Pole capacitor motor	Insulation: Over 10MΩ resistance; (500V megger)	Withstanding voltage	AC1000V for 1 min	Insulation class	E
------------	------------------------	---	----------------------	-------------------	------------------	---

Airflow measured by JIS C9603 chamber method

345	730	760	843	890	FR-FS2290VP XWSM	1F912600	Oil Repellent Texture White / Silver Metallic	---		
					FR-FS2290VP XBKSM	1F912500	Oil Repellent Texture Black / Silver Metallic	---		
					FR-FS2290VP SMRS	1F912400	Silver Metallic / Rich Silver	---		
250	530	570	653	700	FR-FS2270VP XWSM	1F912300	Oil Repellent Texture White / Silver Metallic	---		
					FR-FS2270VP XBKSM	1F912200	Oil Repellent Texture Black / Silver Metallic	---		
					FR-FS2270VP SMRS	1F912100	Silver Metallic / Rich Silver	---		
E		D		C	B	A	Model	Product code	Color	Note
						Created date	2/ 7/2022	Product category: Cooker Hood		
						Updated date	**/**/****	Model: FR-FS2270/90VP		
						FUJI INDUSTRIAL CO., LTD.	Scale	1/10		
						Product outline drawing				