

Mark	Revised record	Date
△		

Specifications

Model	Voltage (V)	Frequency (Hz)	Speed	Power Consumption (W)	Airflow (m³/h)		Sound (dB)	Weight (kg)
					0 Pa			
FR-ST2190VP-15	220	50	Boost	290	1150	—	53	31
			Hi	235	1040	—	50	
			Mid	165	820	—	44	
			Low	105	600	—	36	
Motor type	4 pole capacitor motor		Insulation resistance	Over 10MΩ (500V megger)	Withstanding voltage	AC1000V for 1 min	Insulation class	B

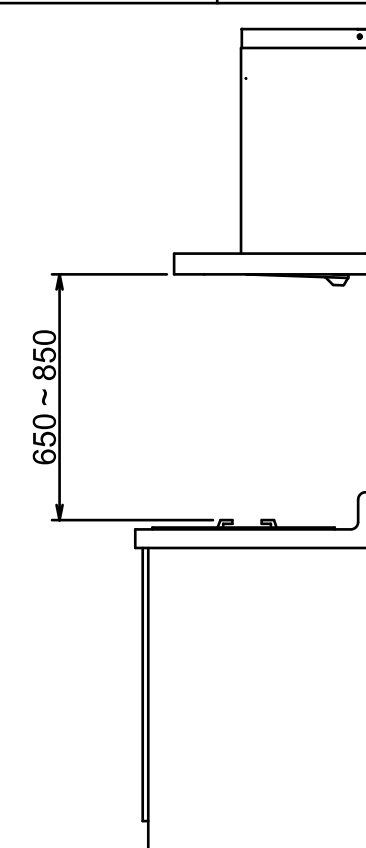
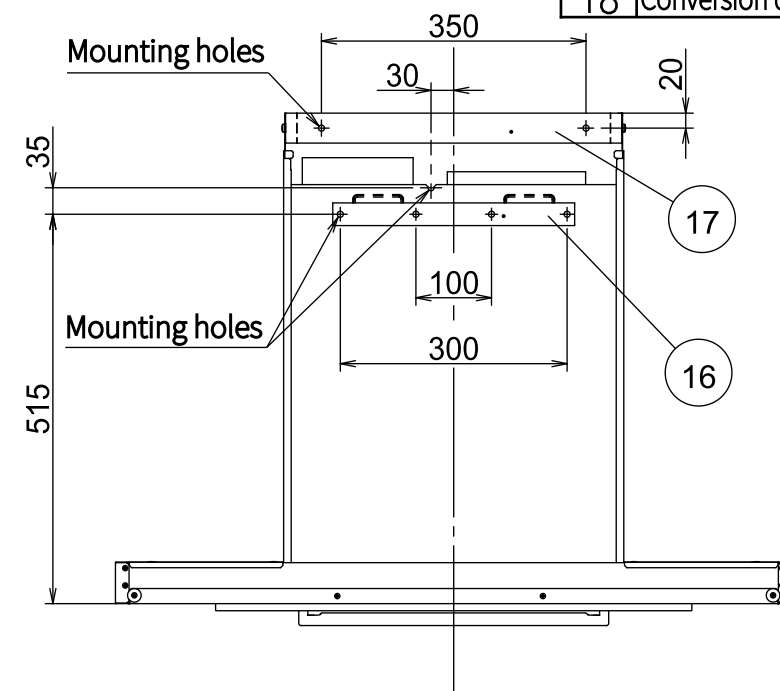
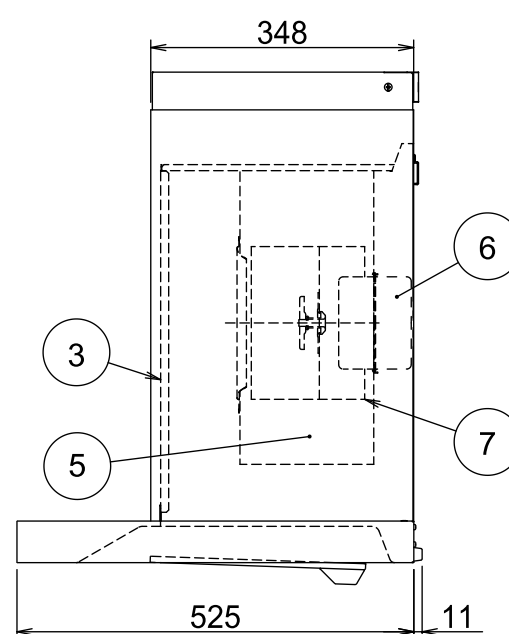
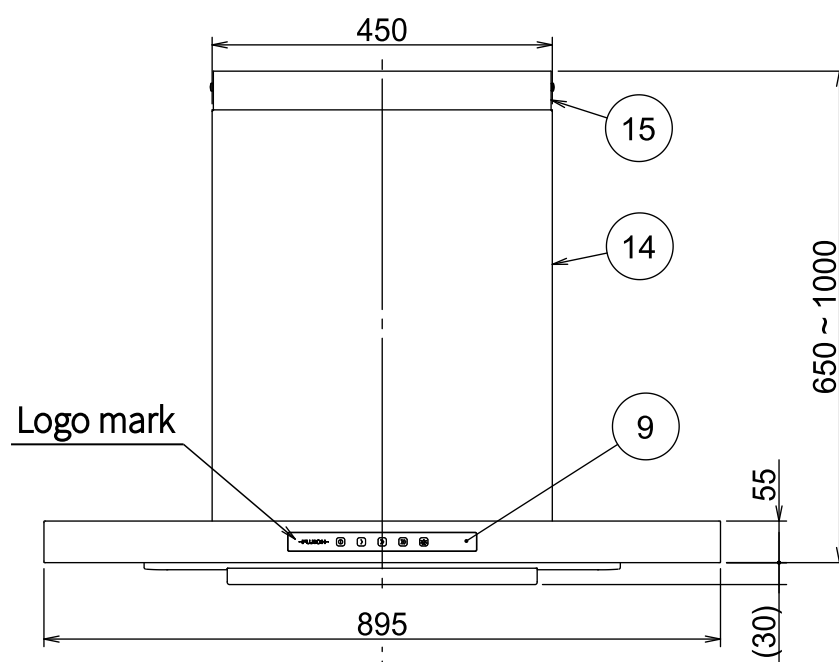
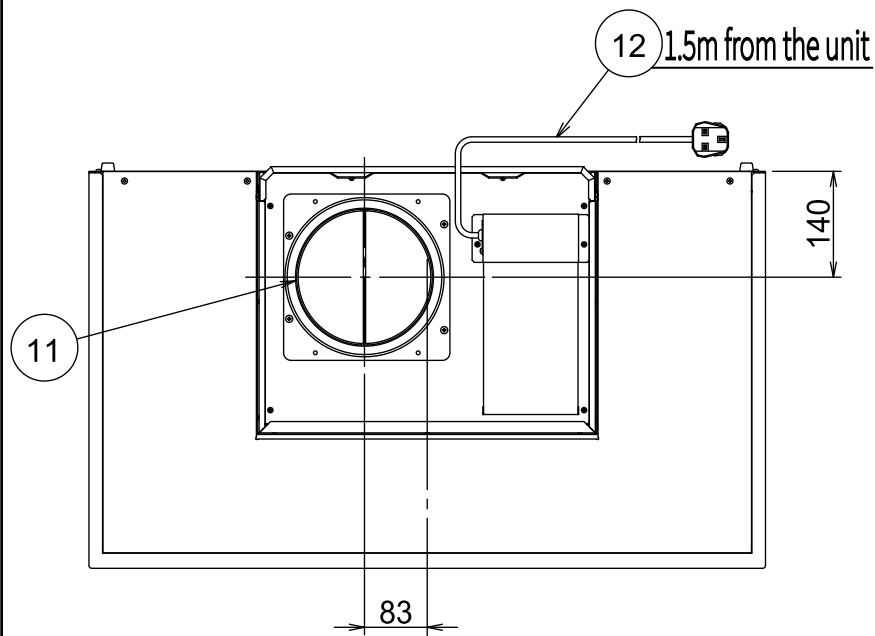
Airflow measured by JIS C9603 chamber method.

Accessories

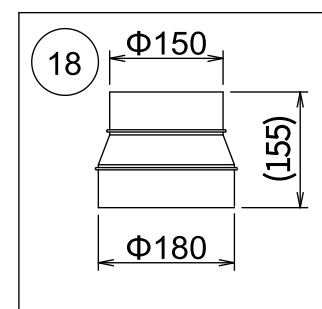
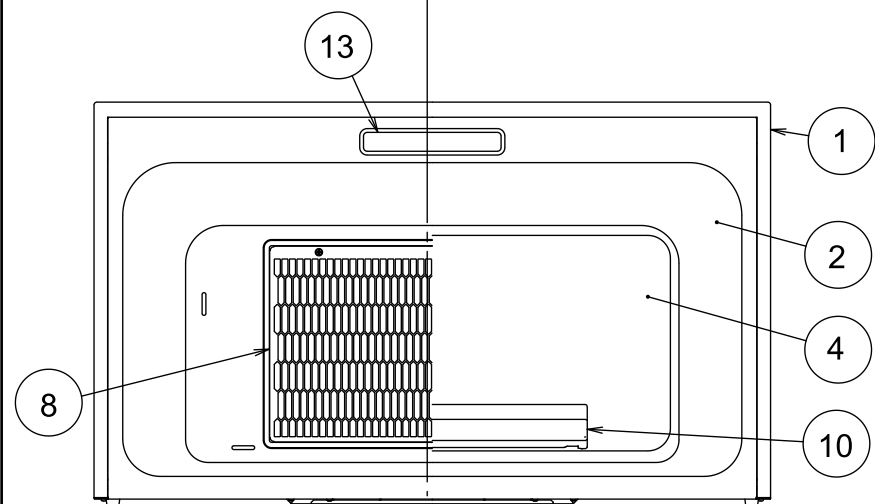
Washer-head wood screw(Φ5.1×45)	---	7pcs
Plug anchor	-----	7pcs
Installation screw(Φ3×8)	-----	2pcs
Installation screw(M4×16)	-----	4pcs
Flat-head screw(M4×8)	-----	2pcs
Plastic flexible duct (Up to 1.5m)	--	1pcs
Soft tape	-----	2pcs

Major Parts

No.	Parts	Material	Finish	Color
1	Hood body	Galvanized steel	Oil repellent coating	Refer to column
2	Oil panel	Stainless steel	No 4 finish	
3	Blower unit	Galvanized steel		
4	Rectifier baffle panel	Stainless steel	No 4 finish	
5	Casing	Galvanized steel	Oil repellent coating	Black
6	Motor	4 Pole AC capacitor motor, class B		
7	Fan	Galvanized steel	Super kirei coating	Clear
8	Guard	Galvanized steel	Oil repellent coating	Black
9	Switch	Electro static switch control Operation ON/OFF, Air flow(Low/Mid/Hi/Boost), Lamp		
10	Oil tray	Rosin		*Accessories
11	Exhaust outlet	Rosin	With counterwind shutter	*Accessories
12	Power supply cord	Cable round cord 0.75mm ² (plug with 2-pole grounding)		
13	Lighting	LED(Day white color,3.5W)		
14	Duct cover	Galvanized steel	Oil repellent coating	Refer to column
15	Slide duct cover	Galvanized steel	Oil repellent coating	Refer to column
16	Hanging bracket	Galvanized steel		*Accessories
17	Duct cover fixing bracket	Galvanized steel		*Accessories
18	Conversion duct	Galvanized steel		*Accessories



Standard Installation



FR-ST2190VP-15 XW	1F9114HW	Oil Repellent Texture White	---
FR-ST2190VP-15 XBK	1F9114HB	Oil Repellent Texture Black	---
FR-ST2190VP-15 SV	1F9114AC	MD Silver	---
Model	Product code	Color	Note
Created date	13/12/2021	Product category	Cooker Hood
Updated date		Model	FR-ST2190VP-15
FUJI INDUSTRIAL CO., LTD.	Scale	1/10	Product outline drawing