

-FUJIOH-

嵌入式氣體煮食爐

Built-in Gas Hob

安裝及操作手冊

Operating / Installation Manual

Hong Kong Distributor

香港經銷商:

FIDELITY (FAR EAST) TRADING CO.,LTD.

富達 (遠東) 貿易有限公司

Unit 13, 10/F, Technology Park, 18 On Lai St.,

Shatin N.T. Hong Kong

香港新界沙田安麗街18號達利廣場10樓13室

電話 Tel:(852) 2686 8229

傳真 Fax:(852) 2637 0883

全球網站

www.fujioh.com

FUJIOH INTERNATIONAL TRADING PTE.LTD.

東南亞地區總部

130 Joo Seng Road #05-05 Singapore 368357

Tel: (65) 6286 3286

Fax: (65) 6285 3285

E-mail: fit@fujioh.com.sg

版次：2021年第1版

FH-GS6320 SVGL (香港煤氣 HK Town Gas / 香港石油氣 HK LP Gas)

FH-GS6330 SVGL (香港煤氣 HK Town Gas / 香港石油氣 HK LP Gas)

在使用本產品前，請仔細閱讀本手冊。

Please read this manual carefully before using this appliance.

目錄 Table of Contents

注意事項 Notice Before Use P.1-P.2

產品描述 Product Description P.3

安裝說明 Installation Instructions P.4-P.6

操作說明 Operating Instructions P.7

常見故障及處理 Troubleshooting P.8

清潔與保養 Clean & Maintenance P.9

技術規格 Technical Specifications P.10

注意事項 Notice Before Use

重要說明

為安全起見，初次使用產品請先閱讀本說明書，並保存說明書，以便作參考之用。


本產品只供家居使用，請必須依照本說明書內的指示安裝及操作。

Important

For safety purpose, you should read the instructions carefully before using the appliance for the first time.

Save the instruction for future reference.

The appliance is designed for domestic use and may only be installed and operated in accordance with these instructions for use.

1. 必須由註冊氣體裝置技工安裝此氣體煮食爐具。
2. 請確保氣體煮食爐具使用範圍內通風良好，避免室內缺氧。
3. 此氣體煮食爐具只適用於烹飪，不可用於其它用途。
4. 於長時間使用時，請打開窗戶或開啟抽風設備，確保室內空氣流通。
5. 使用氣體煮食爐具後請檢查所有控制旋鈕有否扭回“”位置。
6. 如爐火於使用中意外地被吹熄，安全裝置會自動切斷氣源，於一分鐘後才可重新點火。
7. 使用氣體煮食爐具時，請勿使用噴霧劑或壓縮氣體等，以免發生危險。
8. 於點火後檢查爐火是否平均正常。
9. 拿走煮食器皿時，先把爐火調小或關閉。
10. 請勿取出爐架配用其它鍋架等，以免令爐面過熱損壞。
11. 請勿使用過大或過重之煮食器皿，避免造成損壞。
 - 煮食器皿直徑不可少於200mm及不可超過320mm。
 - 煮食器皿重量(連食物計算)不可超過6公斤。
 - 對於小爐架，只建議使用80-140mm的煮食器皿。
12. 把煮食器皿穩固放於爐架正中位置，避免傾側。
13. 如需維修或更換零件，請與本公司維修部聯絡，並必須使用原廠配件。在保養期內，如因人為損壞、錯誤或不恰當使用氣體煮食爐具而導致損壞，本公司會收取零件及維修費用。
14. 當在灶櫃面安裝嵌入式氣體煮食爐具時，灶櫃應設有透氣設施，以確保氣體煮食爐具在使用時操作正常。
15. 不應將易燃物料、噴霧及壓縮容器放置在灶櫃內。
16. 此氣體煮食爐具的面板是用強化玻璃製造，較一般玻璃安全。唯使用玻璃面板氣體煮食爐具時還須注意以下事項，以避免玻璃面板爆裂：
 - 經常清潔爐頭組件以保持爐頭蓋火焰孔暢通，如滾瀉食物及汁液，應在爐頭組件冷卻後盡快作出妥善清理。
 - 如氣體煮食爐具出現不尋常聲音，應即停用並安排氣體供應公司或氣體煮食爐具進口商檢查。
 - 切勿使用過大的器皿煮食。
 - 切勿以硬物撞擊或將重物放置於玻璃面板上。

技術規格 Technical Specifications

型號 Model No.	FH-GS6320 SVGL			
氣體種類 Gas Type	香港煤氣 Hong Kong Town Gas		香港石油氣 Hong Kong LP Gas	
額定熱負荷 Rated Heat Input	(左L) 6.0kW	(右R) 6.0kW	(左L) 5.0kW	(右R) 5.0kW
工作壓力 Gas Working Pressure	1500Pa		2900Pa	
電源供應 Electric Supply	DC1.5V (D型乾電池) DC1.5V(D-type Battery)			
點火方式 Ignition Method	脈衝點火 Pulse Ignition			
安全裝置 Safety Devices	有 Yes			
機身尺寸 Dimensions	(高H)150mm(長W)760mm(寬D)450mm			

型號 Model No.	FH-GS6330 SVGL			
氣體種類 Gas Type	香港煤氣 Hong Kong Town Gas		香港石油氣 Hong Kong LP Gas	
額定熱負荷 Rated Heat Input	(左L) 6.0kW		(左L) 5.0kW	
	(中M) 2.5kW		(中M) 1.9kW	
	(右R) 6.0kW		(右R) 5.0kW	
工作壓力 Gas Working Pressure	1500Pa		2900Pa	
電源供應 Electric Supply	DC1.5V (D型乾電池) DC1.5V(D-type Battery)			
點火方式 Ignition Method	脈衝點火 Pulse Ignition			
安全裝置 Safety Devices	有 Yes			
機身尺寸 Dimensions	(高H)150mm(長W)780mm(寬D)460mm			

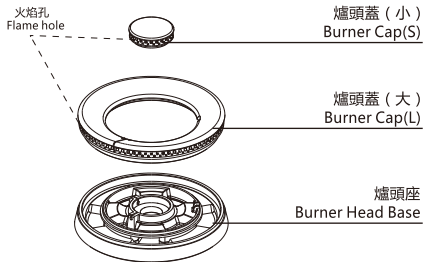
清潔與保養 Clean & Maintenance

注意 當爐具尚熱時，請勿進行清潔。
Attention Do not cleaned, when the gas hob is hot.

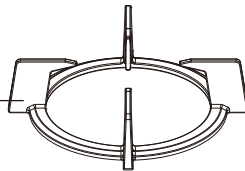
注意 必須每3個月或火焰不穩定時要進行清潔。
Attention Must be cleaned every three months or when the flame is unstable.

- 用柔軟的濕布及中性洗潔精輕抹玻璃面板部分。
- 用暖水及洗潔精清理爐頭。
- 經常清潔爐頭蓋火焰孔，保持暢通。
- Wipe the glass panel with a soft, damp cloth and mild detergent.
- Wash the burner head with warm water and detergent.
- Often clean the burner cap flame hole, keep clear.

可取出清潔的部件
 Remove the parts for cleaning



爐架
 Burner Rack

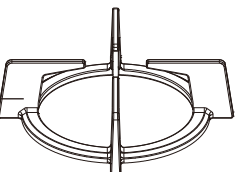


爐頭蓋
 Burner Cap



爐頭座
 Burner Head Base

爐架
 Burner Rack



可清潔的部件
 Cleanable part

1. 爐頭蓋 (大) Burner Cap(L)
2. 爐頭蓋 (小) Burner Cap(S)
3. 爐碟 Drip Pan
4. 爐架 Burner Rack
5. 爐頭座 Burner Head Base
6. 玻璃面板 Glass Panel
7. 控制旋鈕 Control Knob

可取出清潔的部件
 Clean parts that can be removed

1. 爐頭蓋 (大) Burner Cap(L)
2. 爐頭蓋 (小) Burner Cap(S)
3. 爐架 Burner Rack
4. 爐頭座 Burner Head Base

清潔後請將取出的部件放回原位。
 (詳細內容請看P.5)

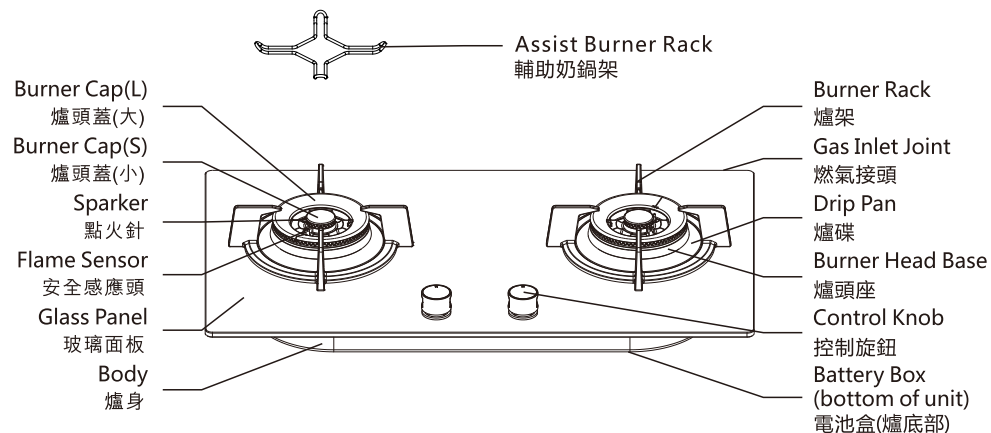
Put the removed parts back in place after cleaning
 (Details on P.5)

注意事項 Notice Before Use

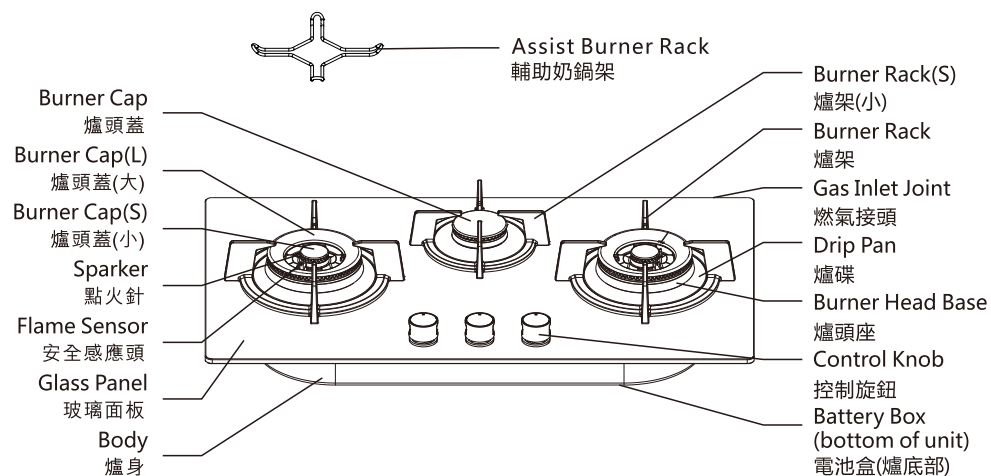
1. The gas hob must be installed by registered gas installer.
2. Ensure that the gas hob is used with good ventilation. Environment with insufficient oxygen should be avoided.
3. This gas hob is to be used for cooking only. Do not other use for other purpose.
4. During long period of use, open window or exhaust fan to ensure good ventilation.
5. Check that all control knobs have been set to "●" position after use.
6. If the flame is blown out during use, the safety valve will cut off gas supply. Ignite again after at least 1 minute.
7. To avoid hazard, do not use spray or compressed gas when the gas hob is in use.
8. After ignition, check if the flame is even and normal.
9. Before removing cookware away from the flame, always set to small flame or turn the hob off.
10. Do not use burner racks other than the one provided. Otherwise, it will cause overheat to the range surface.
11. Do not use over-size or over-weight utensils to avoid damage.
 - Cooking utensils having more than 200mm and less than 320mm diameter can only be used.
 - Cooking utensils weighting less than 6kg (including food weight) can only be used.
 - And for burner rack(S),only cooking utensils with 8-14cm diameter is recommended.
12. Place the utensil steadily on the range burner rack. Do not tilt the utensil.
13. Contact our repair department for repair and parts replacement. During guarantee period, FUJIOH may charge for spare parts and service fees if the damage is caused by misuse or improper installation.
14. When installing built-in gas hob on top of kitchen cabinet, please check that there is provision for ventilation at the cabinet to ensure proper operation of the gas hob.
15. Do not store any flammable materials, sprays or pressurized containers inside the kitchen cabinet.
16. The top panel of this gas hob is made of tempered glass which is safer than normal glass for this application. However, the following safety precautions for using gas hob with glass top panel should be noted in order to prevent the glass top panel from breaking:
 - Clean the burner assembly frequently to maintain a clear gas passage on the flame distributor, clean and tidy up the flame distributor after spillage of food and liquid once the burner assembly has cooled down.
 - Turn off the gas hob immediately if abnormal noise propagates from the gas appliance and contact gas supply company or gas hob importer for inspection.
 - Do not use oversized utensils for cooking.
 - Do not impact the glass surface with hard objects or place heavy objects on the glass surface.

產品描述 Product Description

FH-GS6320 SVGL



FH-GS6330 SVGL



常見故障及處理 Troubleshooting

故障现象 Phenomenon	原因分析 Possible Cause	處理方法 Solution
點不著火 Cannot be ignited	點火針濕（尤其在潮濕季節）。 Spark electrode is wet, especially in the humid season.	用紙巾或乾毛巾抹乾點火針。 Dry the electrode with clean tissue or dry cloth.
	電池已耗盡。 Out of battery	更換電池。 Replace battery.
不能保持火焰 Flame cannot be held	沒正確轉動控制旋鈕 Incorrect turning of gas control knob.	按壓控制旋鈕及反時針方向旋轉至[大火]位置，直至聽到[啲]聲。待爐火點著後才放手。 Press down and turn the control knob anti-clockwise towards "high" until "ticks" are heard. Release only after the hob is lit.
沒有火焰 No flame	仍未開啟燃氣表控制閥及/或爐具切斷閥。 Gas meter cock and/or appliance isolating cock have been turned off.	完全開啟燃氣表控制及/或爐具切斷閥。 Open gas meter cock and/or appliance isolating cock completely.
黃火 Yellow flame	爐頭蓋積聚油漬及污垢。 Grease and dirt accumulated on burner cap.	以暖水和洗潔精清洗爐頭蓋，然後抹乾並放好。 Wash burner cap in warm water with detergent, mop it dry and then place back in correct position.
火焰不穩定 Unstable flame	爐頭蓋未放好。 Incorrect place of burner cap.	重新放好爐頭蓋。 Refit burner cap into burner head base.
發現有氣體異味 Smell of gas	喉管破裂或未接駁好。 Gas pipe is damaged or not connected well.	必須立即停止使用，應關掉燃氣總掣及打開所有窗戶。切勿操作任何電器或電掣開關。切勿在現場使用任何電話。 Stop using the appliance immediately. Shut-off gas emergency control valve and open the windows. Do not operate any electric appliances or switches. Do not use any phones on site.
	閥體漏氣 Gas valve is leaking.	

警告：若按上述方法仍無法點火，請即致電氣體工程公司作維修，切勿使用其它方法點火。

Warning: If the gas hob cannot be ignited by the above suggested solutions, do not attempt to ignite by other means. Please contact Gas Engineering Company for repair.

產品規格及設計如有變更，恕不另行通知。

Specifications are subject to change without prior notice.

中英文版本如有出入，一概以中文版為準。

If there is any inconsistency or ambiguity between the English version and the Chinese version, The Chinese version shall prevail.

本產品使用說明書以www.fujioh.com/hk/網上版為最新版本。

Refer to www.fujioh.com/hk/ for the most up-to-date version of the Operating Instructions.

操作說明 Operating Instructions

注意

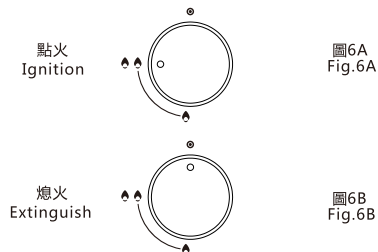
- 所有氣體煮食爐具須由註冊氣體裝置技工進行安裝、調試及接駁喉管。用戶切勿自行安裝或維修。
- 切勿使用並非由製造商供應的配件，例如錫紙碟，使用錫紙碟可能導致爐火不正常。
- 安全感應頭較易被磨損，切勿用硬毛刷或粗糙抹布清潔。

Attention

- All gas hob must be installed, commissioned and connected by registered gas installer. Do not install or repair the gas hob by yourself.
- Do not use additional fitting, such as aluminum foil may lead to abnormal operation.
- The safety sensor is very delicate-please do not use hard brushes or rough cleaning pads when cleaning.

1. 用戶在使用前，確保爐具已由註冊氣體裝置技工安裝，以策安全。
2. 只可用標籤所指定氣體種類：
香港石油氣 (H.K. LP Gas) 或香港煤氣 (H.K. TownGas)
3. 點火：
確保旋鈕開關關到“⊙”位置，然後打開氣源總開關。點火時將旋鈕壓下向逆時針方向轉動90°（壓電式能聽到“喀嗒”一聲），火即自動點燃，確認火已點著後即可鬆手。購買的爐具是帶熄火保護裝置，爐火意外熄滅時，安全裝置自動關閉氣體閥門防止漏氣。確保爐具使用範圍內有良好空氣流通。（圖6A）
4. 火力調節
按照各旋鈕所對應的火力大小指示，旋轉旋鈕，即可獲得所需火力。除圖示“▲▲”至“▲”可調教火力外，由“▲▲”至“⊙”亦可調較火力大小，切換猛火與小火，須慢慢旋轉點火旋鈕，以保證不致熄火。
5. 熄火
將旋鈕回轉到“⊙”的位置，火即熄滅（圖6B）。使用後必須關閉氣源總開關（總閥）。
6. 點不著火
請參閱“常見故障及處理”。

1. User should check that this built-in gas hob has been properly installed by Registered Gas Installer.
2. This built-in gas hob is suitable for use with the specified type of gas(H.K. LP Gas or H.K. Town Gas).
3. Ignition:
Make sure the flame controller knob “⊙” position, then open the gas supply valve. When igniting, press and turn the flame controller knob anti-clockwisely to 90 degree, the built-in gas hob will be automatically ignited. After ensuring the flame, the knob can be released and flame will retain, built-in gas hob must equipped with flame failure protection device. When flame has been distinguished accidentally, this protection device will work and the gas supply will stop accordingly for safety. However user please ensure that the indoor environment has sufficient ventilation. (Fig.6A)
4. Flame regulating
Different size of flame can be obtained by regulating the turning knob. As Fig.6A the power can adjust between “▲▲” and “▲”, and also can adjust from “▲▲” to “⊙”, please adjust the flame slowly from high to low, to avoid the flame off.
5. Extinguish the flame
Return the flame controller knob to “⊙” position will extinguish the flame(Fig.6B). Please close the gas supply valve after use.
6. No igniton
Please read“Troubleshooting”.



安裝說明 Installation Instructions

注意

根據香港氣體安全條例，任何氣體裝置工程，包括爐具和接駁喉管的安裝，必須由註冊氣體裝置技工執行，而該技工已於相關的氣體工程類別註冊及受聘於註冊氣體工程承辦商。

Attention

According to the Gas Safety Ordinance of Hong Kong, any gas installation works including the installation of appliances and connection tubing, must be undertaken by registered gas installers who are registered for that appropriate classes and be employed registered gas contractors.

使用認可印有機電工程署批准標記（例如機電工程署批准EMSD APPROVAL GTXXXX）的氣體接駁喉管連接爐具，或使用機電工程署接納的其他恰當方法。
Use approved gas tubing bearing EMSD approval marking (such as: 机电工程署批准EMSD APPROVAL GTXXXX) for connection to appliances, or other appropriate methods accepted by EMSD.

注意

所有氣體煮食爐具必須由註冊氣體裝置技工安裝，切勿自行安裝，否則一切後果本公司概不負責。

- 本氣體煮食爐具認可的進氣運作氣壓：

氣體類型	進氣氣壓
香港煤氣	1500 Pa
香港石油氣	2900 Pa
- 如接駁之氣壓與本爐具所標示的不相符，將會嚴重影響本氣體煮食爐具運作以及導致損壞。
- 安裝前必須確保氣體煮食爐具可因應當地供氣情況（氣體類別及至壓力）。
- 本氣體煮食爐具沒有接駁至燃燒產品撤離裝置，應按照有關條例安裝並應特別注意空氣流通之有關要求。
- 氣體煮食爐具須安裝在空氣流通房間內，附近不可放置易燃物品如紙張、油類等。
- 氣體煮食爐具須放置在穩固之平面上。
- 如要安裝氣體煮食爐具於易燃物料附近（如木牆、木架），兩側須距離15厘米以上，此氣體煮食爐具的安裝位置應與周圍易燃物料距離15厘米以上。
- 不需安裝外置氣體穩壓器。
- 生產商已調好風位，切勿嘗試自行調校。

Attention

The gas hob must be installed by registered gas installer. Otherwise, FUJIOH will not be responsible for any damages.

- The inlet gas supply working pressure to the appliance MUST BE as follows:

Type of gas	Inlet pressure
Hong Kong TG	1500 Pa
Hong Kong LPG	2900 Pa
- If non-compatible pressures are connected to the appliance, it will affect the performance of the unit or pose risk of damage.
- Prior to installation, ensure that the appliance is according to the local distribution conditions (nature of the gas and gas pressure).
- This gas hob is not connected to ventilation devices for combustion products. It shall be installed according to the relevant regulations. Particular attention shall be given to the ventilation requirements.
- Install the gas hob in well ventilation room and keep it away from any combustible or flammable items such as paper or oil.
- Place the gas hob on a stable and level surface.
- If the unit is to be installed, close to combustible surroundings(such as wooden walls, wooden shelves), it should be installed at least 15cm from the side walls. The unit should be installed with a distance of at least 15cm away from surrounding combustible materials.
- External gas governor is not required.
- Aeration is preset at factory. Please do not attempt to adjust it.

安裝說明 Installation Instructions

通風

保持正常氣體燃燒及有關房間通風所需之空氣量。空氣應自然流經房間內的固定窗戶或通風口。

當在灶櫃面安裝嵌入式氣體煮食爐具時，灶櫃應設有透氣設施，以確保氣體煮食爐具在使用時操作正常。

Ventilation

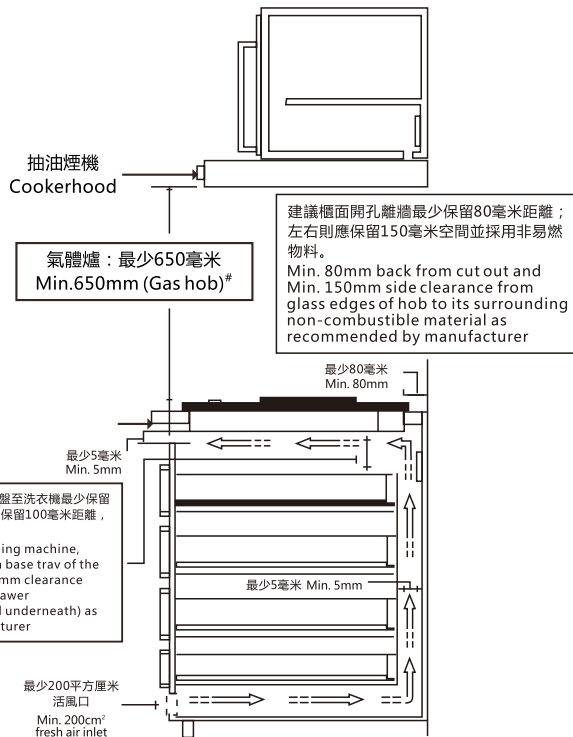
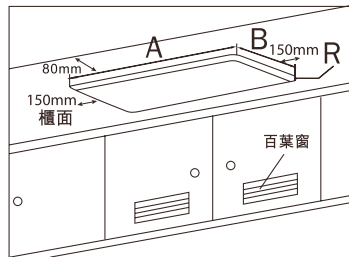
Maintain normal gas combustion and the amount of air required for room ventilation, the air should naturally flow through the fixed windows or vents in the room.

When installing built-in gas hob on top of stove cabinet, please check that there is provision for ventilation at the cabinet to ensure proper operation of the gas hob.

櫃面開孔尺寸

Cut-Out Dimensions

型號Model	A	B	R
FH-GS6320 SVGL	650~700mm	350~400mm	120mm
FH-GS6330 SVGL	650~700mm	350~400mm	120mm



以上之安裝圖不按比例繪畫
Above diagram is not to scale

安裝說明 Installation Instructions

爐架及爐頭之正確安裝圖

Installation Diagram of Burner Rack & Burner Cap

使用前或清潔後請先確定一下配件已至於正確位置。

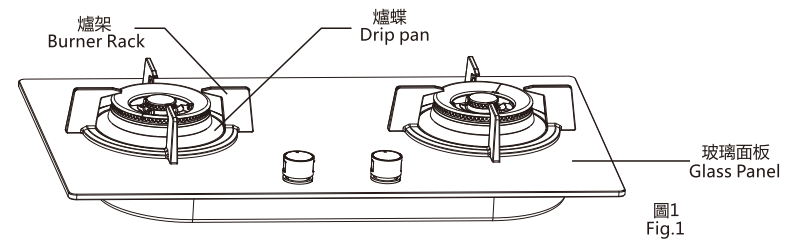
Make sure that the following parts are fitted properly before use or after cleaning.

1. 爐架

爐架正確地安放在爐碟上(圖1)。

Burner Rack

Fit Burner Rack legs into Drip Pan(Fig.1).

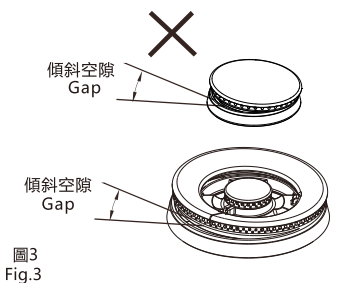
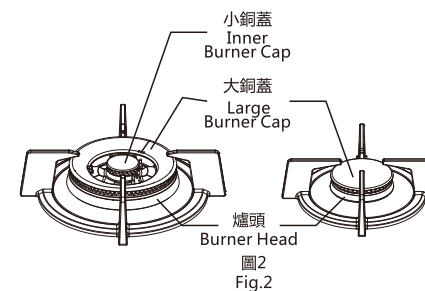


2. 爐頭

小銅蓋和大銅蓋分別放置在爐頭上(圖2)，放置時請勿傾斜及不要留有空隙(圖3)。

Burner head

Install the Inner Burner Cap and Outer Burner Cap into Burner Head (Fig.2), do not tilt or leave gap during installation (Fig.3).



注意 Attention

爐頭蓋(大)凹陷位置必須要對齊爐頭凸出的位置
The position of the burner cap must be aligned with the burner head base

