

GAS HOB 煮食爐 / FH-GS63

快適なクッキングライフの、扉が開く。

An opening of a delightful cooking journey

散發著極致風格的嵌入式氣體煮食爐，採用光滑的黑色鋼化玻璃製成，配合您夢寐以求的廚房。

操作簡單，只需轉動旋鈕即可點燃，精確控制理想火力，每次都能煮出完美的菜式。

Make a statement with a build-in gas hob that exudes the ultimate in style. Finished in sleek toughened black glass, specially designed for your dream kitchen.

Simply turn the equally elegant knobs to ignite, and precisely control the heat to the pan for perfect meals every time.



熄火安全裝置
Flame Failure Safety Device
分段火焰控制
Sectional Flame Control
電池點火
Battery Ignition
鋼化玻璃
Toughened Glass



自動點火
Automatic Ignition
鑄鐵鍋支架
Cast Iron Pan Support
迷你鍋支架
Mini Pan Support
壓按旋鈕
Push and Turn Knob

3 GAS HOB
LIMITED WARRANTY*
YEARS



Reg. No. 登記號碼: GCS-0001
Gas Cooker
(氣體煮食爐)
機電工程師 EMSD

H.K. TOWN GAS series
香港煤氣系列

ADVANCED FUNCTIONS 優越功能

01/ Sectional Flame Control 分段火焰控制



Controls desired flame with single or double rings
用單環或雙環控制不同火焰

02/ Toughened Glass (8mm) 鋼化玻璃



Good looking and easy to wipe off the spills at the same time
整潔外觀及易於拭抹污穢

03/ Knob 旋轉按鈕



Elegant Spin Finish Knobs
按鈕設計高雅

04/ Mini Pan Support 迷你鍋支架



Assist burner rack, use for small pan
輔助架適用於小型平底鍋

05/ Cast iron with Dacromet Coating Venturi 達克羅塗層鑄鐵噴咀

Dacromet technology provides excellent corrosion protection
達克羅技術提供出色的防腐蝕保護



06/ Flame Failure Safety Device 熄火安全裝置

Cuts off gas supply automatically when flame gets extinguished for safe cooking
當熄火時會自動切斷燃氣供應，確保安全



FH-GS6330 SVGL



FH-GS6320 SVGL



SPECIFICATIONS 規格

Number of Burner 爐頭數量	3	2
Color 顏色	Black Glass (Toughened Glass) 黑色玻璃 (鋼化玻璃)	Black Glass (Toughened Glass) 黑色玻璃 (鋼化玻璃)
Dimensions [mm] 尺寸	W780 x D460 x H150	W760 x D450 x H150
Ignition Type 點火方式	Battery Operated (Size D 1.5V) 電池 (D型 1.5V) Pulse Ignition 脈衝點火	Battery Operated (Size D 1.5V) 電池 (D型 1.5V) Pulse Ignition 脈衝點火

HEATING LOAD H.K. TOWN GAS [kW] 燃氣-香港煤氣 [千瓦]

Left 左	6.0	6.0
Centre 中	2.5	-
Right 右	6.0	6.0
All Burners On 全開	14.5	12.0
Pressure 壓力 [Pa]	1500	1500

HEATING LOAD H.K. L.P. GAS [kW] 燃氣-香港石油氣 [千瓦]

Left 左	5.0	5.0
Centre 中	1.9	-
Right 右	5.0	5.0
All Burners On 全開	11.9	10.0
Pressure 壓力 [Pa]	2900	2900

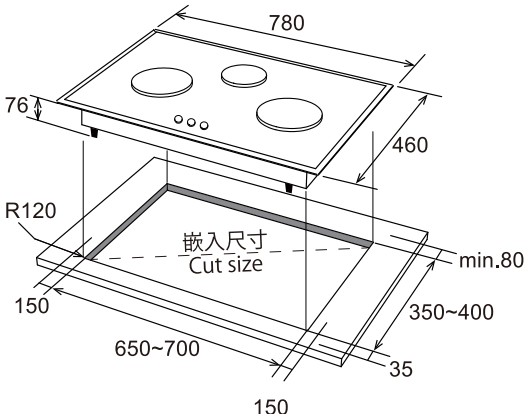
CUT-OUT DIMENSIONS & REPLACEMENT SIZE [mm] 開孔和替換尺寸 [毫米]

Cut-out Dimensions 開孔尺寸 W650~700 x D350~400 x R120

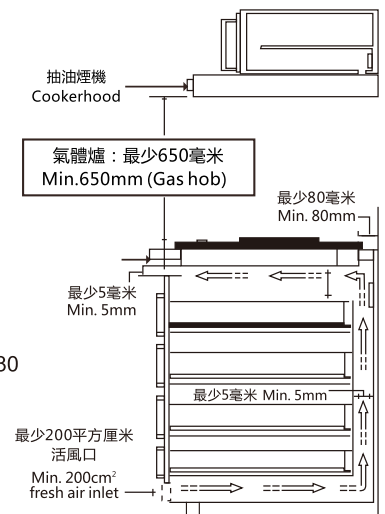
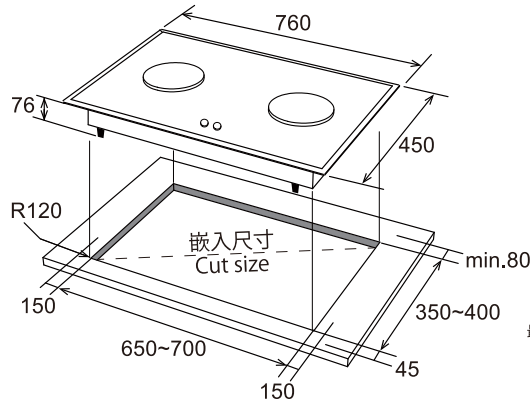
W650~700 x D350~400 x R120

INSTALLATIONS 安裝

FH-GS6330 SVGL



FH-GS6320 SVGL



經銷商 Distributor / Dealer :

香港特別行政區及澳門特別行政區總代理:
Hong Kong SAR, Macau SAR Sole Agent :



富達(遠東)貿易有限公司
FIDELITY (FAR EAST) TRADING CO., LTD.

☎ (852) 2686 8229
✉ info@ff888.com

您的滿意
我的誠意



www.ff888.com

f ff888com