

Mark	Revised record	Date
△		

### Specifications

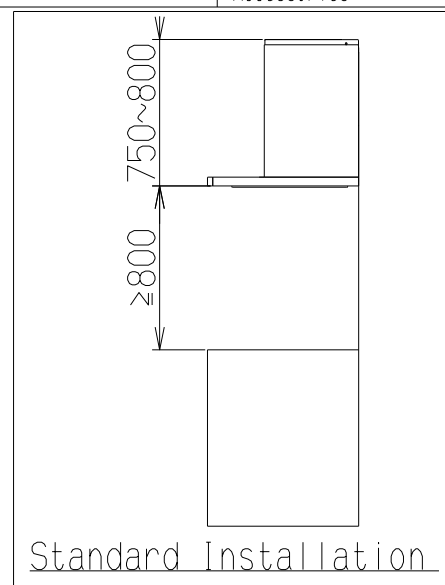
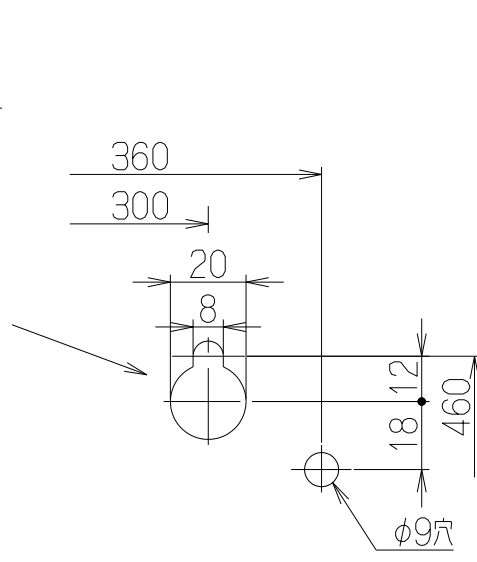
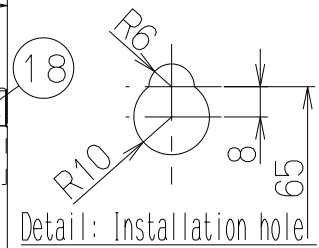
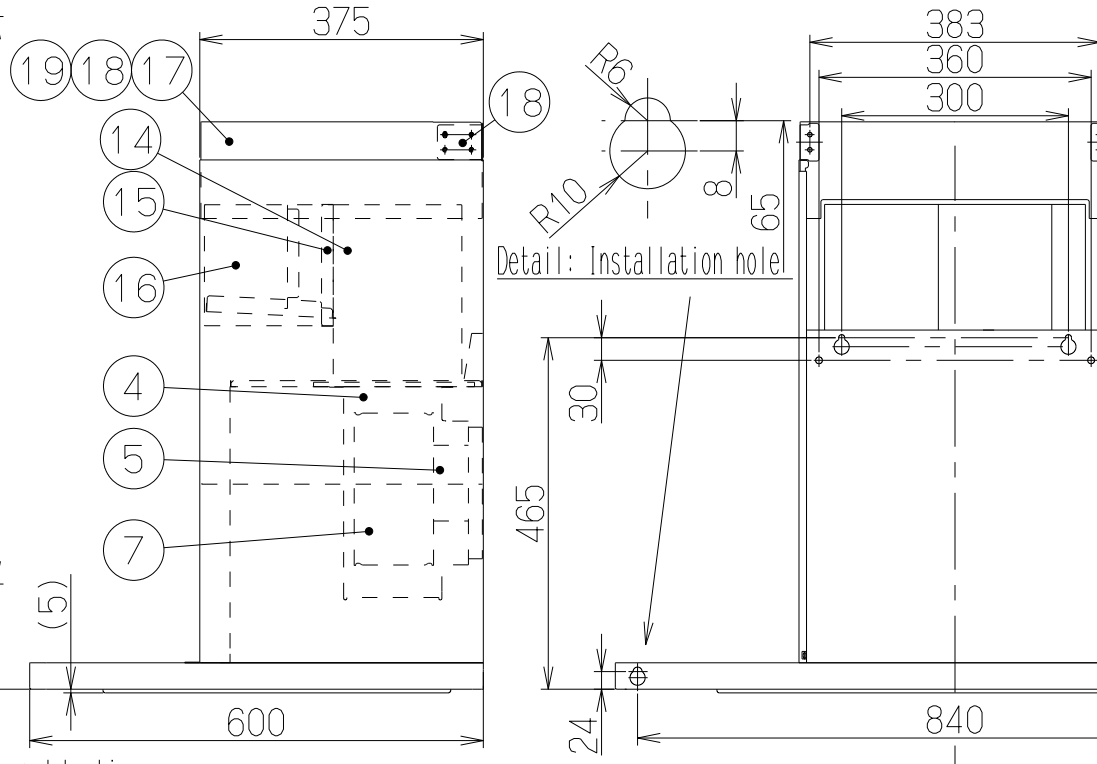
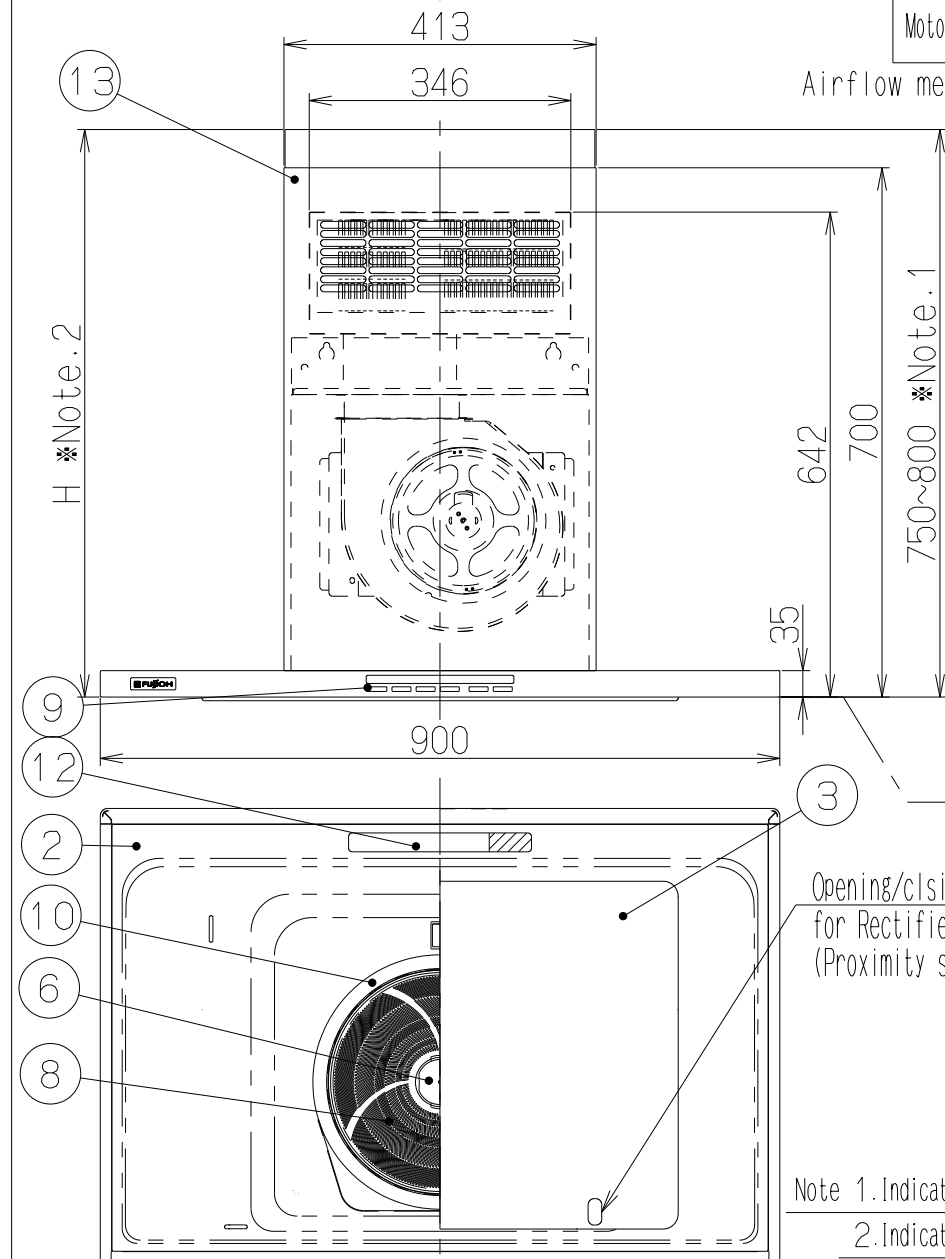
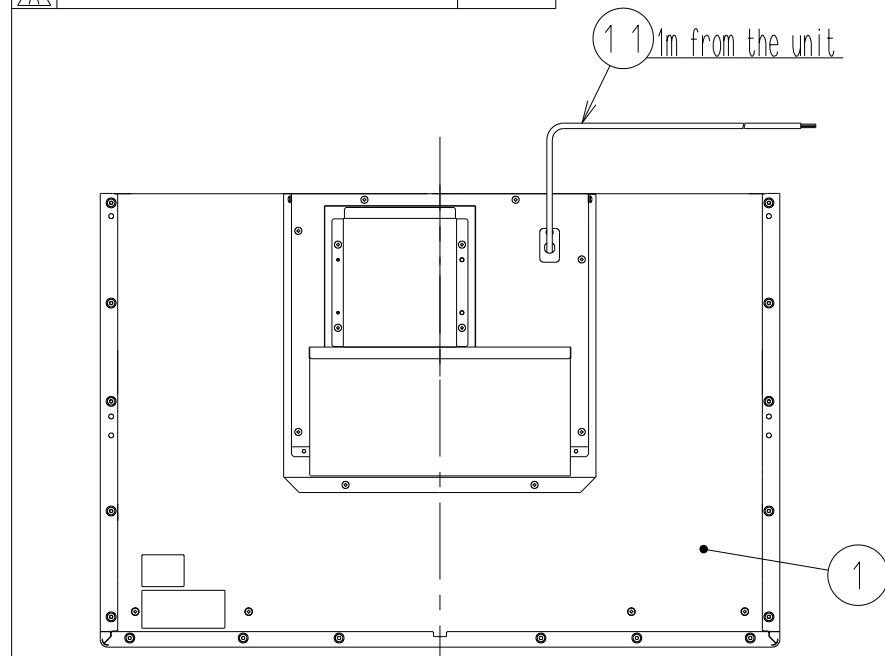
Model	Voltage (V)	Frequency (Hz)	Speed	Power Consumption (W)	Airflow (m <sup>3</sup> /h)		Sound (dB)	Weight (kg)
					0 Pa			
FR-CL1890R	220	50	HH	140	520	—	57	31
			Hi	105	420	—	54	
			Mid	82	380	—	51	
			Low	35	300	—	44	
			LL	24	250	—	40	
	230	50	HH	150	535	—	57	
			Hi	105	420	—	54	
			Mid	82	380	—	51	
			Low	35	300	—	44	
			LL	24	250	—	40	
	240	50	HH	160	550	—	57	
			Hi	105	420	—	54	
			Mid	82	380	—	51	
			Low	35	300	—	44	
			LL	24	250	—	40	

Motor type	8 Pole DC brushless motor	Insulation resistance	Over 10MΩ (500V megger)	Withstanding voltage	AC1000V for 1 min	Insulation class	E
------------	---------------------------	-----------------------	-------------------------	----------------------	-------------------	------------------	---

Airflow measured by JIS C9603 chamber method (At 80Pa: maximum power consumption 159W)

### Major Parts

No.	Parts	Material	Finish	Color
1	Hood body	Galvanized steel	Oil repelling painting	Refer to column
2	Oil panel	Galvanized steel	Oil repelling painting	Refer to column
3	Rectifier baffle panel	Galvanized steel	Oil repelling painting	Refer to column
4	Blower unit	Galvanized steel		
5	Motor(For fan)	8 Pole DC brushless motor, class E		
6	Motor(For disk)	8 Pole DC brushless motor, class E		
7	Fan	Galvanized steel(Sirocco fan)		
8	disk	Stainless steel	Double sided hydrophilic painting (One touch attachment and detachment)	
9	Switch	Soft touch switch	Operation on/off, Air flow(Low/Mid/Hi), Timer(3min), Lamp, cleaning lamp, 24 hour mode	
10	Oil tray	Galvanized steel	Oil repelling painting	Refer to column
11	Power supply cord	cable cable(2 Pole grounding plug with plug)		
12	Lighting	LED(Day white color, 3.5W)		
13	Duct cover	Galvanized steel	Oil repelling painting	Refer to column *Accessories
14	Recycling device	Galvanized steel		*Accessories
15	Exhaust adapter	Galvanized steel		*Accessories
16	Exhaust box	Galvanized steel		*Accessories
17				
18	Slide duct cover	Galvanized steel	Oil repelling painting	Refer to column *Accessories
19				
20	Duct cover fixing bracket	Galvanized steel		*Accessories



No.	Model	H dimension
⑱	FR-CL18-DCT85*	800~850
⑲	FR-CL18-DCT90*	850~900

Color code is entered in "\*" of model name.

Note 1. Indicates the sliding range of the accessory sliding duct cover.  
 2. Indicates the slide range of the optional slide duct cover. (See slide range dimension list)  
 In addition, the dimensions of the optional slide duct vary depending on the model.

Washer-head wood screw(φ5.1x45)	8pcs
Hanging screw(φ5x35)	2pcs
Flat-head screw(M4x8)	2pcs
Mounting screw(M4x10)	2pcs
Fixing screw(M4x8)	14pcs

Model	Product code	Color	Note
FR-CL1890RW	1F9094XP	White	—
FR-CL1890RRS	1F9094AJ	Rich silver	—
FR-CL1890RSV	1F9094AC	MD Silver	—
Created date	20/ 2/2017	Product category	Cooker Hood
Updated date	**/**/****	Model	FR-CL1890R
FUJI INDUSTRIAL CO., LTD.	Scale 1/10	Product outline drawing	

Mark	Revised record	Date
△		

### Specifications

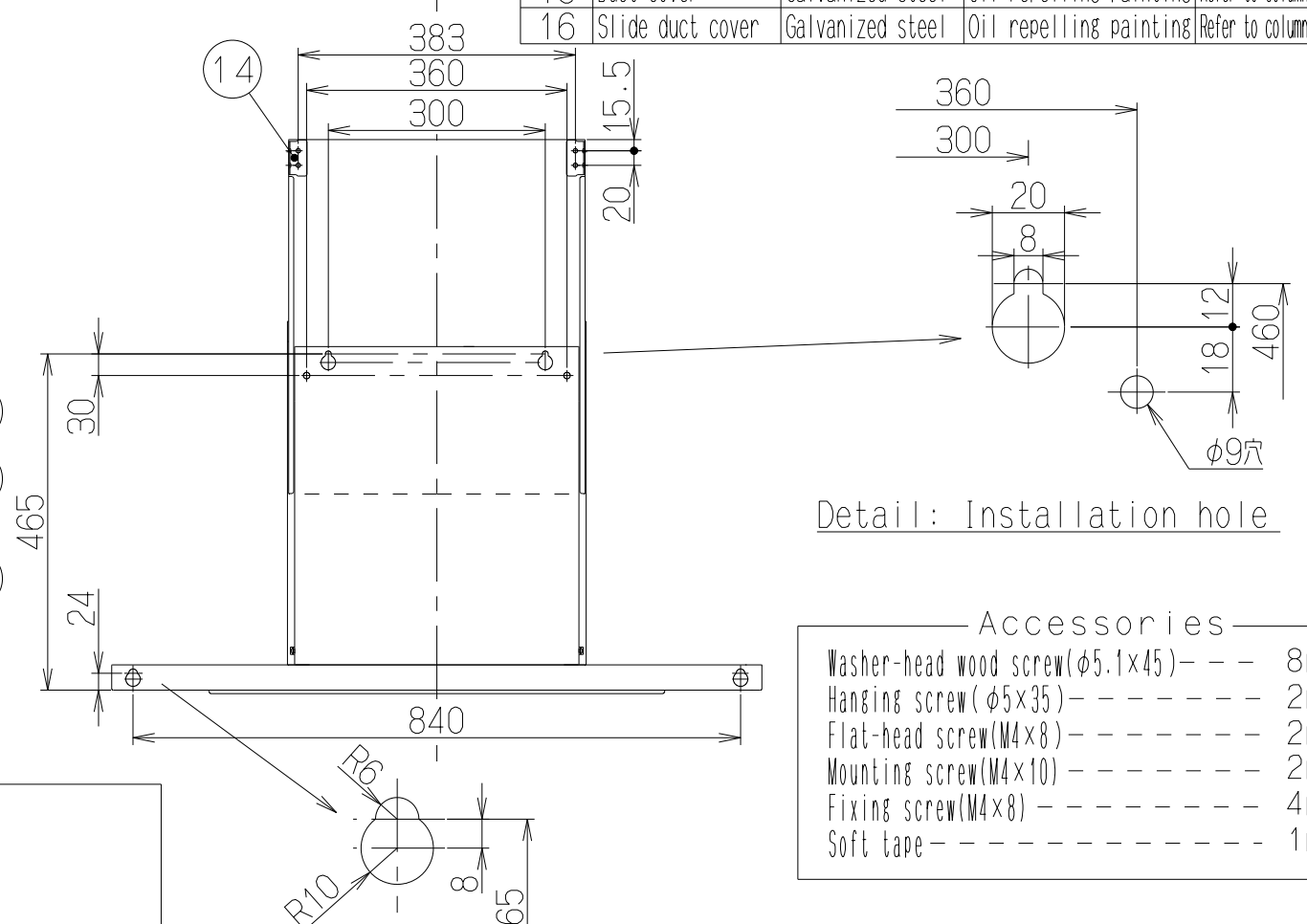
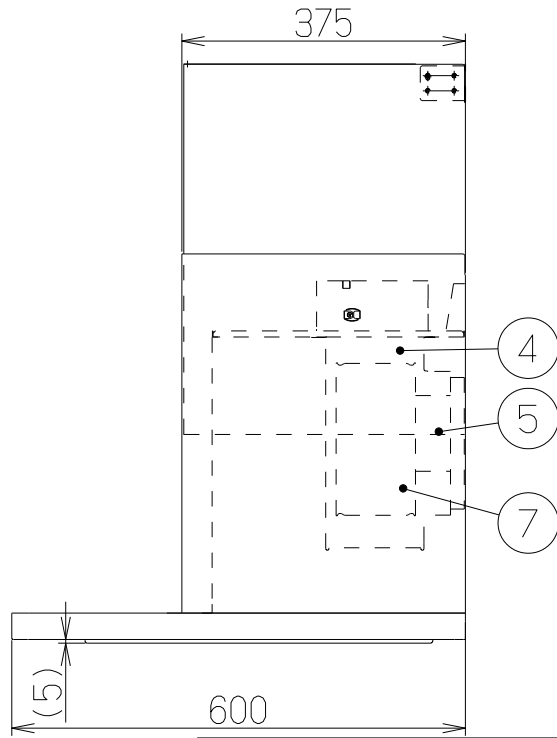
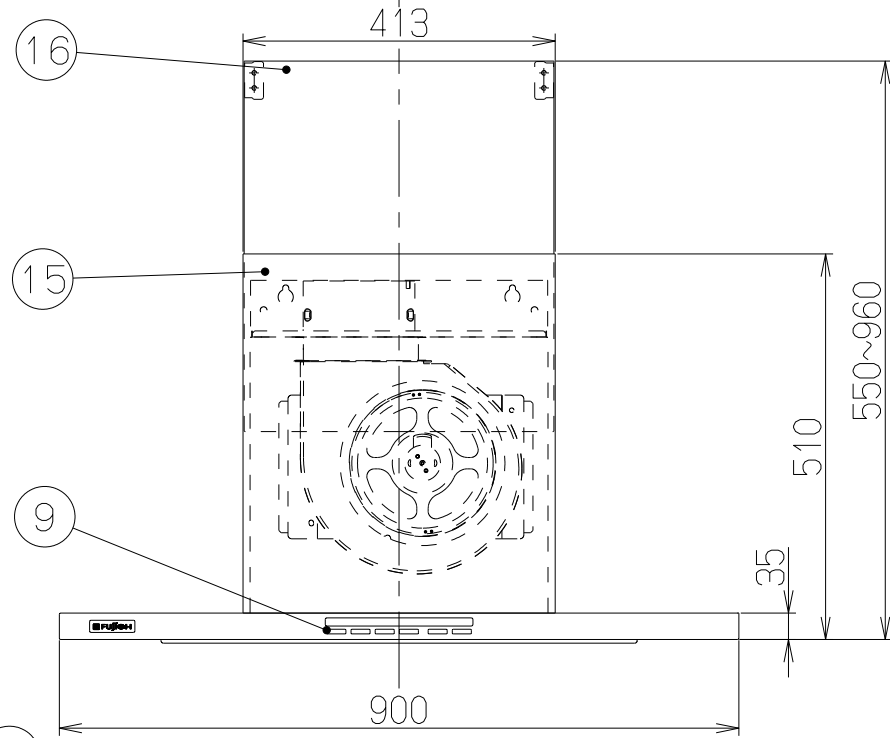
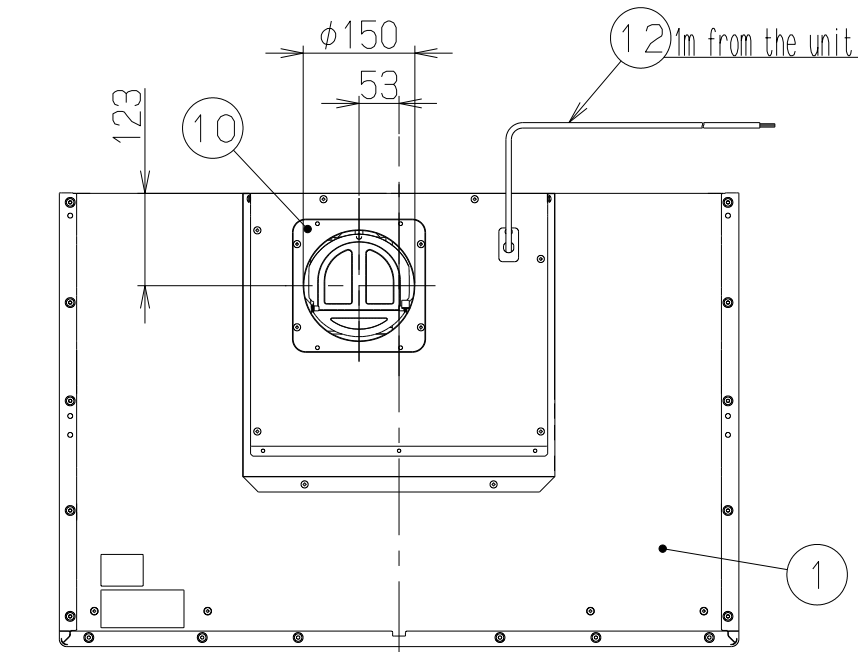
Model	Voltage (V)	Frequency (Hz)	Speed	Power Consumption (W)	Airflow (m³/h)		Sound (dB)	Weight (kg)
					0 Pa			
FR-CL1890V	220 230 240	50	HH	155	600	—	54	28
			Hi	62	—	420	46	
			Mid	48	380	—	44	
			Low	30	300	—	38	
			LL	21	250	—	32	

Motor type	8 Pole DC brushless motor	Insulation resistance	Over 10MΩ (500V megger)	Withstanding voltage	AC1000V for 1 min	Insulation class	E
------------	---------------------------	-----------------------	-------------------------	----------------------	-------------------	------------------	---

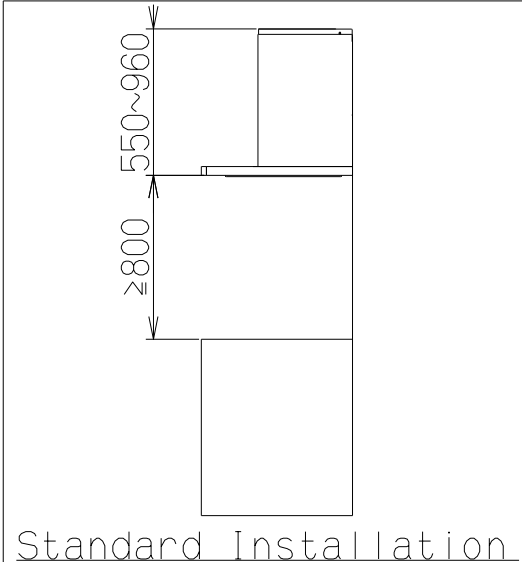
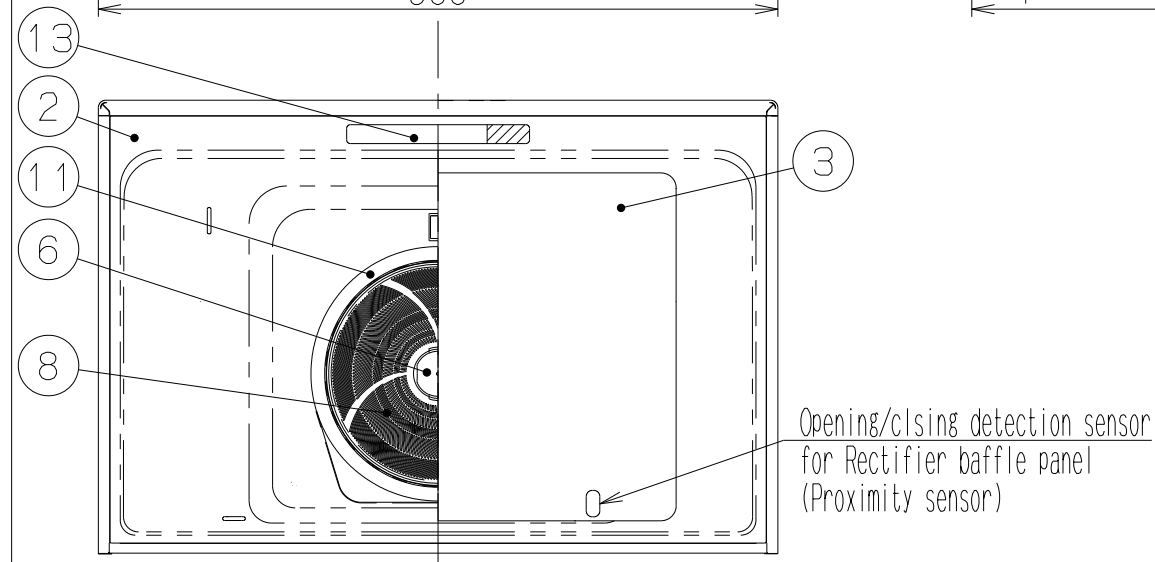
Airflow measured by JIS C9603 chamber method  
(At 80Pa: maximum power consumption 159W)

### Major Parts

No.	Parts	Material	Finish	Color
1	Hood body	Galvanized steel	Oil repelling painting	Refer to column
2	Oil panel	Galvanized steel	Oil repelling painting	Refer to column
3	Rectifier baffle panel	Galvanized steel	Oil repelling painting	Refer to column
4	Blower unit	Galvanized steel		
5	Motor(For fan)	8 Pole DC brushless motor, class E		
6	Motor(For disk)	8 Pole DC brushless motor, class E		
7	Fan	Galvanized steel(Sirocco fan)		
8	disk	Stainless steel	Double sided hydrophilic painting (One touch attachment and detachment)	
9	Switch	Soft touch switch	Operation on/off, Air flow(Low/Mid/Hi), Timer(3min), Lamp, cleaning lamp, 24 hour mode	
10	Exhaust port	Galvanized steel	Shutter is attached.	*Accessories
11	Oil tray	Galvanized steel	Oil repelling painting	Refer to column
12	Power supply cord	cable(2 Pole grounding plug with plug)		
13	Lighting	LED(Day white color, 3.5W)		
14	Duct cover fixing bracket	Galvanized steel		*Accessories
15	Duct cover	Galvanized steel	Oil repelling painting	Refer to column *Accessories
16	Slide duct cover	Galvanized steel	Oil repelling painting	Refer to column *Accessories



- Accessories
- Washer-head wood screw(φ5.1x45) --- 8pcs
  - Hanging screw(φ5x35) --- 2pcs
  - Flat-head screw(M4x8) --- 2pcs
  - Mounting screw(M4x10) --- 2pcs
  - Fixing screw(M4x8) --- 4pcs
  - Soft tape --- 1pcs



### Detail: Installation hole

FR-CL1890VW	1F9093XP	White	---
FR-CL1890VRS	1F9093AJ	Rich silver	---
FR-CL1890VSV	1F9093AC	MD Silver	---
Model	Product code	Color	Note

Created date	20/ 2/2017	Product category	Cooker Hood
Updated date	**/**/****	Model	FR-CL1890V
FUJI INDUSTRIAL CO., LTD.	Scale 1/10	Product outline drawing	