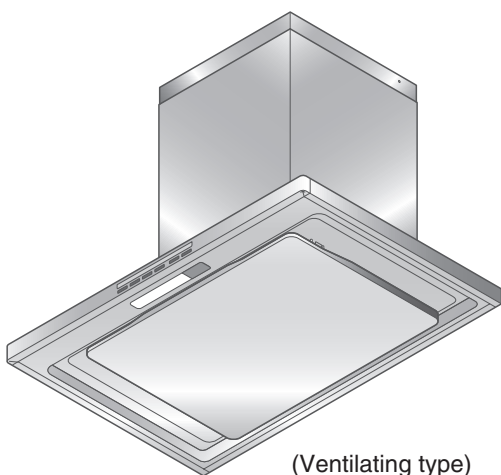
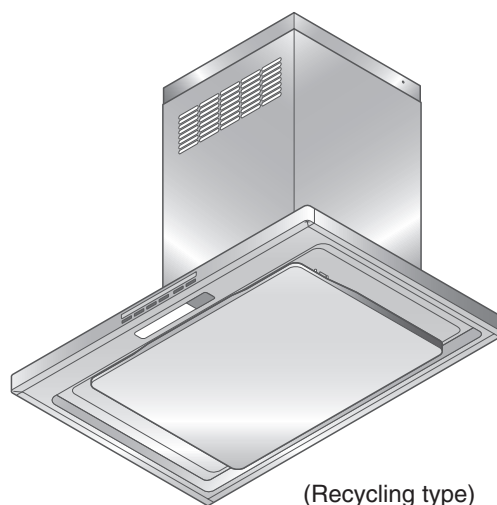


FR-CL1890V (Ventilating Type)
FR-CL1890VP (Ventilating Type)
FR-CL1890R (Recycling Type)

Installation/Operation Manual



(Ventilating type)



(Recycling type)

TABLE OF CONTENTS

| | | | |
|---------------------------------|-------|---------------------------------------|--------|
| Safety Precautions | 2~4 | Operation..... | 16~21 |
| Caution for Maintenance | 4 | Switch..... | 16, 17 |
| Precautions on Use | 4 | Cleaning Lamp | 18, 19 |
| Preparation | 4~8 | Timer Operation | 19 |
| Convenient Function..... | 4, 5 | Idle Operation Prevention Timer..... | 19 |
| Name of Parts | 5, 6 | Automatic Shutdown..... | 20 |
| Specification | 7 | About the Cleaning Time | 21 |
| Circuit Diagram..... | 8 | Caution for Maintenance | 22~25 |
| Installation | 8~15 | Caution Matters for Maintenance | 22 |
| Preparation and Check | | Detaching Cleaned Parts | 22~24 |
| before Installation | 8, 9 | Cleaning | 25 |
| Cooker Hood Installation | 10~13 | Other Information..... | 26, 27 |
| Fixing Duct Cover | 14 | Troubleshooting | 26 |
| Attaching Rectifier Panel | 15 | Service and Warranty | 27 |
| Operation Check..... | 15 | | |

To the sales shop/installer:
After installation, please
give this manual to the
user without fail.

Thank you very much for your purchase of our cooker hood.

Before installing/operating the cooker hood, please read this Manual thoroughly.

Keep this manual in a convenient place for future reference.



Safety Precautions

- Read the following safety instructions before operating, and use the cooker hood properly and securely.
- These instructions are for correct operation of the product to prevent any risk of hazards or damages inflicting on you or others. The instructions are classified into 2 categories as "WARNING" and "CAUTION" depending on their emergency and severity. Pay attention and strictly observe the instructions as they are critical for safety.

 **WARNING**

Alerts possible risk of **death** or **serious injury**, if not observed.

 **CAUTION**

Alerts possible risk of **injury** or **physical damage**, if not observed.

WARNING



Less than 4 burners (7.0kW)

- **The cooker hood is intended to be installed over a hob with up to four hob elements or burners, no more than total 7.0kW.**



Spraying water prohibited

- **Don't spray water on the electric parts.**
Fire or electric shock may result in.



Disassembly, repair, or modification prohibited

- **Never attempt to disassemble, repair or modify.**
Entrust them to the qualified technician, otherwise fire, electric shock, or abnormal performance may occur.



Operation prohibited

- **When there may be a gas leak in your gas hob, don't switch on or off the cooker hood.**
Gas explosion may result in.



Using prohibited

- **Don't connect to the power voltage other than 220V/230V/240V AC.**
Fire or electric shock may result in.



Air supply cautioned

- **Choose a mounting location where sufficient air flow is maintained.**
CO poisoning may result if not ventilated adequately while using a natural vent type stove, etc.



Assembly cautioned

- **Electric wiring must be made properly by the professional installer or personnel.**
Incorrect wiring may be cause of electric leakage or fire.



Strictly implemented

- **Do not discharge the smoke from cooker hood into the hot chimney duct for smoke from burning gas or other fuels. (It is not applied to pump gas back into the indoor cooker hood.)**



Mounting cautioned

- **Mounting work should be done by 2 persons minimum.**
The weight of the cooker hood is about 28kg (FR-CL1890V/VP), 31kg (FR-CL1890R).



Ensure adjustment

- **Exhaust adjustment must be ensured.**



Mounting cautioned

- **There is a breaker incorporated in the fixed wiring to be provided to ensure all-pole disconnection from the supply mains.**



Supervision requested

- **This appliance is not intended for use by person (including children) with reduced physical, sensory or mental capabilities, or lack of experience and knowledge, unless they have been given supervision or instruction concerning use of the appliance by a person responsible for their safety.**



Mounting cautioned

- **Make sure to follow the wiring instructions and disconnect all poles using equipment that meets the Overvoltage Category III requirements for fixed wiring.**

Children should be supervised to ensure that they do not play with the appliance.



Disconnect the plug

- **Be sure to disconnect the power plug from the wall outlet, or switch off the breaker when care and maintenance. Also, don't handle the power plug or breaker with wet hand.**
Electric shock or injury may result in.



Air supply cautioned

- **There shall be adequate ventilation of the room when the cooker hood is used at Air supply the same time as appliances burning gas or other fuels.**



Wipe off dust

- **When dust accumulated on the blades of the power plug or on their roots, wipe off well.**
Fire or electric shock may result in.



Clean frequently

- **There is a fire risk if cleaning is not carried out in accordance with the instructions.**



Flambé prohibited

- **Do not flambé under the cooker hood.**

⚠ CAUTION



Mounting cautioned



Improper discharge prohibited



Caution



Mounting cautioned



Disconnect by holding the plug



Disconnect by holding the plug



Using prohibited



Assembly cautioned



Assembly cautioned

- **Mount the product securely after selecting a solid place.**
Dropping may result in injury.
- **The air must not be discharged into a flue that is used for exhausting fumes from appliances burning gas or other fuels (not applicable to appliances that only discharge the air back into the room).**
- **When the oil level reaches 1/2 of oil tray, please timely clean it to prevent overflow and oil dripping during removal from appliances burning gas or other fuels (not applicable to appliances that only discharge the air back into the room).**
- **The minimum distance between the supporting surface for the cooking vessels on the hob and the lowest part of the cooker hood. When the cooker hood is located above a hob, this distance shall be at least 750mm. If the instructions for installation for the hob specify a greater distance, this has to be taken into account.**
- **When disconnecting the power plug, hold the plug itself. Don't pull the cord anyway.**
The cord may be damaged, and fire or electric shock may result in.
- **Be sure to disconnect the power plug from the wall outlet, or switch off the breaker when not using for a long time.**
Insulation may be deteriorated, and fire or electric shock may result in.
- **Never use the product in a wet place such as bath room, etc. (Use a ventilation fan for bath room.)**
It may be cause of fire or failure if used.
- **Assemble the fan or component parts securely.**
Injury by dropping may result in.
- **Ensure that electric wiring is made safely according to the standard or regulations related.**
Incorrect wiring may result in fire or electrical shock.



Contact prohibited



Contact prohibited



Operation prohibited



Prohibited



Wear gloves



Replace the cord if it's damaged



Prohibited



Strictly implemented



Caution



Caution

- **Don't touch the disk or parts around it while cooking.**
The disk or parts may drop, and burn or injury may result in.
- **During operation, never insert fingers or other objects.**
Failure or injury may result in.
- **Switch off the cooker hood at once when oil caught fire while cooking.**
It's dangerous if not stop as fire is built up.
- **Do not put anything on the cooker hood.**
It may be cause of fire, failure, or injury by dropping.
- **Be sure to wear gloves when care and maintenance.**
Injury by the sharp edges or corners may result in.
- **If the power cord is damaged, it must be replaced by the manufacturer, its service agent or similarly qualified persons in order to avoid a hazard.**
- **To avoid eye damage, do not look directly at the LED light while it is on.**
- **Be sure to ensure that duct is connected to the outdoor. In order to avoid fire and keep fresh air, please discharge the exhaust gas to the outdoor. Please do not discharge the exhaust gas into the wall, loft or garage.**
- **Use attachment screws only.**
If you fail to follow the instructions provided in this manual when installing other screws or fixed equipment, it may cause an electrical hazard.
- **Contact FUJIOH or an agent when changing LED lamps in this product.**

Caution for Maintenance

It is very easy to stain the cooker hood, therefore, be sure to frequently clean the cooker hood (especially for the disk, it should be cleaned for one at least 2 months. For the family cooking two meals, be sure to clean the disk for once at least one month).

If cooker hood is not cleaned for a long time, a lot of greasy dirt accumulates to form stubborn greasy hard lump. If oil tray, surroundings of the cooker hood and rectifier panel are polluted, please timely clean it every time. (Cleaning standard: once about 2 months)

■ Cleaning

The parts that require maintenance are the disk, oil tray, rectifier panel, cooker hood and oil panel. Please refer to page 22 for instructions regarding care.

Precautions on Use

- **Operate the cooker hood without fail when using cooking wares.**
Otherwise, it may be cause of the cooker hood damage or failure by increased temperature.
- **Don't use a gas range with nothing put on it.**
The body of the cooker hood is heated, and it may cause trouble.
- **When using with the Induction Heater (IH), smoke capturing performance may be deteriorated by influence of cross wind. Also, the surface of the cooker hood may be dew condensation if it is used in low temperature.**
In this case, use the cooker hood after wiping off.
- **Prevent influence of direct wind from air conditioner.**
Smoke capturing performance may be deteriorated if influenced. Especially, as the Induction Heater (IH) provides nearly no ascending air current, it is easily influenced in open place.
- **During operation, pay attention to sufficient air supply.**
Provide adequate air intake slots on the wall opposite from the cooker hood, or open the door of the room a little. Otherwise, ventilation performance may be deteriorated, or abnormal noise/vibration may result in.
- **Separate gas heater more than 500mm from the cooker hood.**
As the around of gas heater becomes high temperature, separate more than 500mm. Never install the cooker hood above gas heater. Otherwise, it may be cause of the cooker hood damage or failure by increased temperature.
- **Do not use the cooker hood with its rectifier panel removed.**
Smoke capturing performance may be deteriorated.
- **Firstly, the waste cooker hood is processed into the status incapable of being used by others, and then, discard it.**

■ Preparation

Convenient Function

■ Adopt new function OIL SMASHER

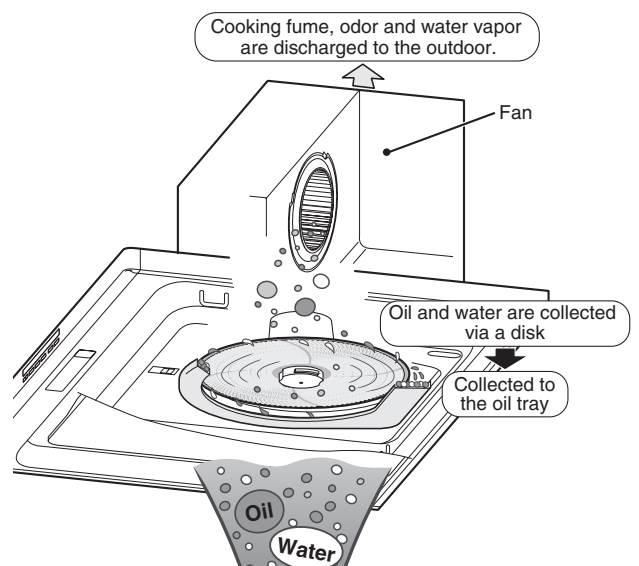
The "OIL SMASHER device unit" of this product can collect the oils adhered inside the cooker hood and on the fan well. Compared with the previous type, this is a kind of cooker hood with very little greasy dirt therein.

Greasy dirt caused by cooking is collected via porous filters in the previous type of cooker hood. The unfiltered greasy dirt will stick to the inner part of the cooker hood and on the fan. Therefore, it needs to be cleaned regularly.

The independently-developed new function-"OIL SMASHER" is applied in this product.

To recycle the cooking fume and water caused by cooking into the oil tray via the powerful function of OIL SMASHER so as to greatly reduce the oil stain adhering to the fan.

One-touch operation is applied in oil tray/disk disassembly/ installation, and it is easy to clean.



■ Cleaning lamp

Cleaning lamp lights up to remind the cleaning time of cooker hood (refer to page 18).
Display setting of the cleaning time can be changed by reference to the use frequency of the cooker hood (refer to pages 18 and 19).

■ Automatic shutdown

The cooker hood automatically stops once rectifier panel is in opening state (refer to page 20).

■ Memory function

The cooker hood can save the former operation status to simplify the next operation (operating air flow and timing).

■ Timekeeping operation

The cooker hood automatically stops running after continuous running to the setting time.
If you want to clean the cooking odor and the greasy dirt adhered to the fan, please use it after cooking (refer to page 19).

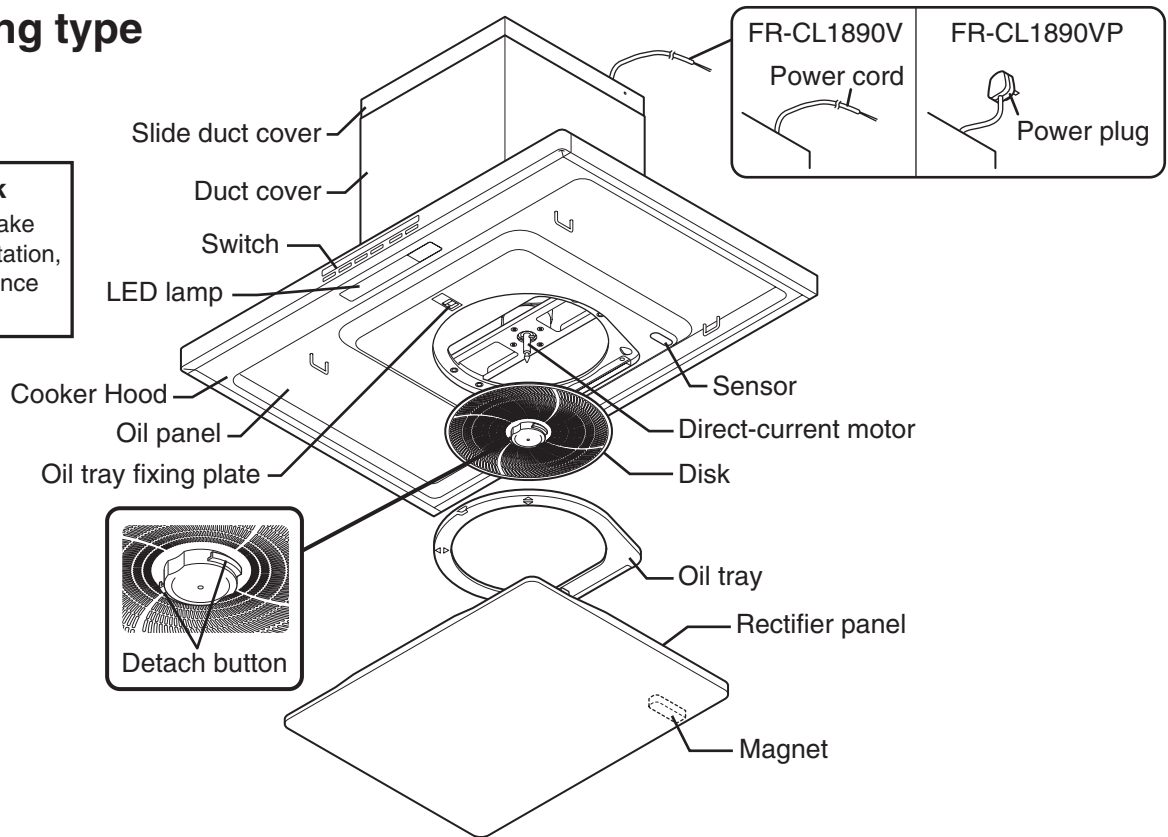
■ Idle operation prevention timer

The cooker hood will automatically stop operating and light will turn off if operation continues for approx. 5 hours with no input. (refer to page 19).

Name of Parts

■ Ventilating type

◆ About the disk
The disk may shake slightly during rotation, it is not performance problem.



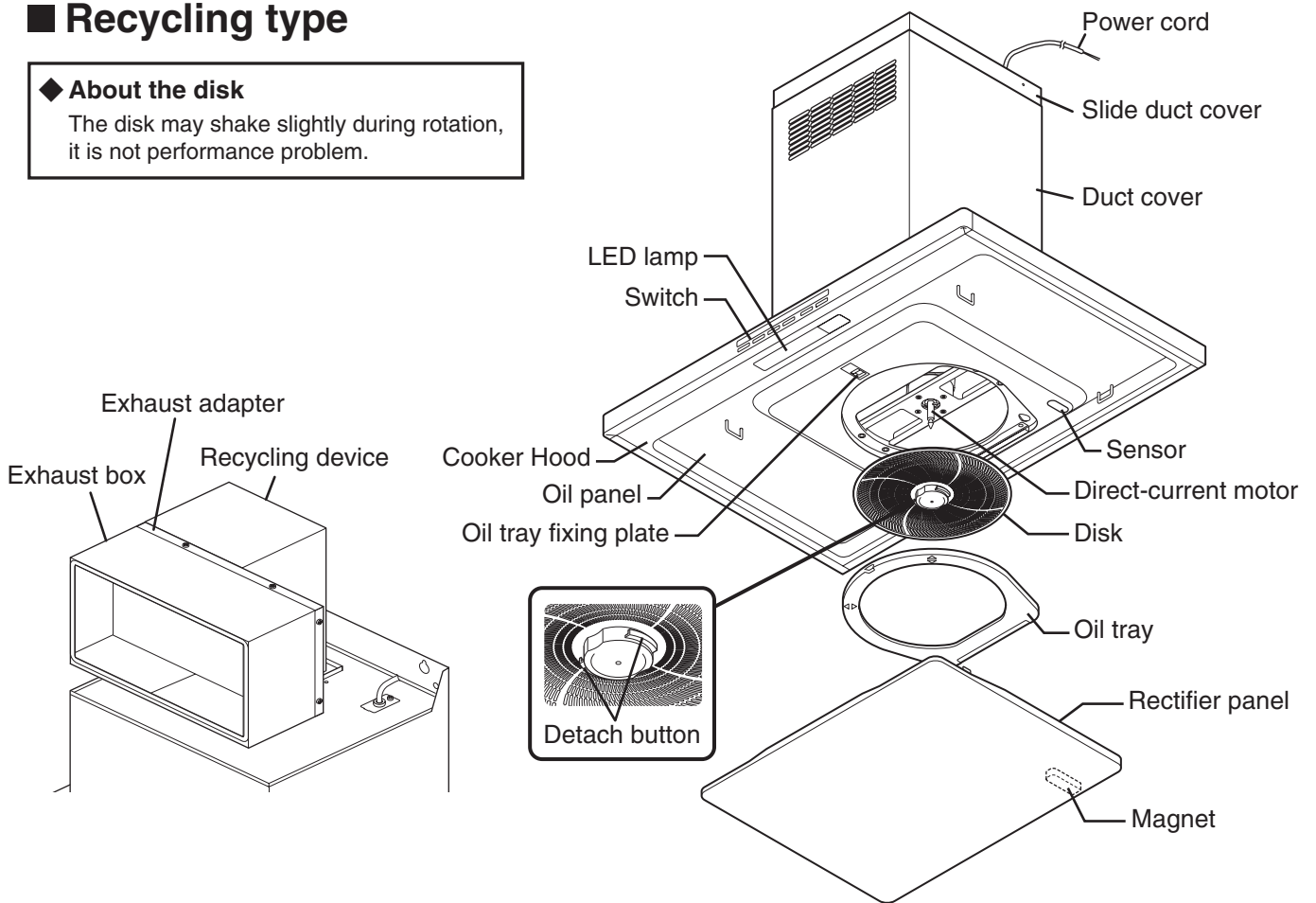
List of Included Items

| Name | Usage | Quantity |
|----------------------------------|---|----------|
| Main unit | — | 1 |
| Rectifier panel | — | 1 |
| Duct cover | — | 1 |
| Slide duct cover | — | 1 |
| Washer-head wood screw (Ø5.1×45) | Mounting hook and the duct cover | 8 |
| Hanging screw (Ø5.1×35) | Mounting the main unit | 2 |
| Duct cover fixing bracket | Fixing duct cover | 2 |
| Flat-head screw (M4×8) | Fixing duct cover | 2 |
| Mounting screw (M4×10) | Fixing duct cover | 2 |
| Exhaust port | Connecting the main unit and the duct | 1 |
| Fixing screw (M4×8) | Connecting the main unit and the exhaust port | 4 |
| Soft tape | — | 1 |

■ Recycling type

◆ About the disk

The disk may shake slightly during rotation, it is not performance problem.



List of Included Items

| Name | Usage | Quantity |
|----------------------------------|---|----------|
| Main unit | — | 1 |
| Rectifier panel | — | 1 |
| Duct cover | — | 1 |
| Slide duct cover | — | 1 |
| Washer-head wood screw (Ø5.1×45) | Mounting hook and the duct cover | 8 |
| Hanging screw (Ø5.1×35) | Mounting the main unit | 2 |
| Duct cover fixing bracket | Fixing duct cover | 2 |
| Flat-head screw (M4×8) | Fixing duct cover | 2 |
| Mounting screw (M4×10) | Fixing duct cover | 2 |
| Fixing screw (M4×8) | Fixing recycling device and exhaust adapter | 14 |
| Recycling device | — | 1 |
| Exhaust adapter | — | 1 |
| Exhaust box | — | 1 |

Specification

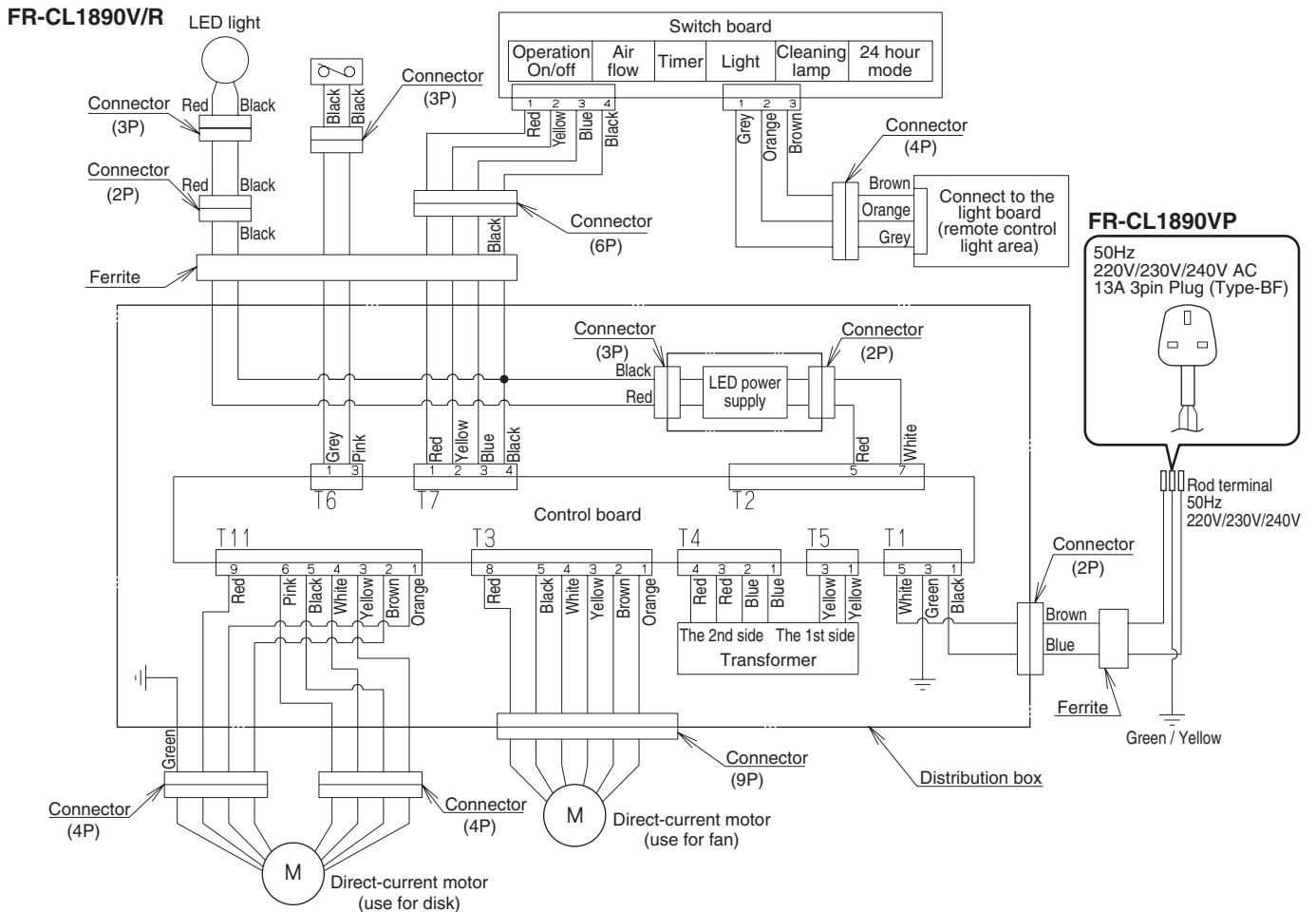
FR-CL1890V/VP (Ventilating type)

| Rated voltage (V) | Speed | Frequency (Hz) | Power consumption (W) | Air Flow (m ³ /h) | Noise (dB) |
|-------------------|--------------|----------------|-----------------------|------------------------------|------------|
| 220 | Boost Mode | 50 | 135 | 600 | 53 |
| | High | | 62 | 420 | 46 |
| | Medium | | 48 | 380 | 44 |
| | Low | | 30 | 300 | 38 |
| | 24 hour mode | | 20 | 250 | 32 |
| 230 | Boost Mode | 50 | 135 | 600 | 53 |
| | High | | 62 | 420 | 46 |
| | Medium | | 48 | 380 | 44 |
| | Low | | 30 | 300 | 38 |
| | 24 hour mode | | 20 | 250 | 32 |
| 240 | Boost Mode | 50 | 135 | 600 | 53 |
| | High | | 62 | 420 | 46 |
| | Medium | | 48 | 380 | 44 |
| | Low | | 30 | 300 | 38 |
| | 24 hour mode | | 20 | 250 | 32 |

FR-CL1890R (Recycling type)

| Rated voltage (V) | Speed | Frequency (Hz) | Power consumption (W) | Air Flow (m ³ /h) | Noise (dB) |
|-------------------|--------------|----------------|-----------------------|------------------------------|------------|
| 220 | Boost Mode | 50 | 140 | 520 | 57 |
| | High | | 94 | 420 | 54 |
| | Medium | | 69 | 380 | 51 |
| | Low | | 39 | 300 | 44 |
| | 24 hour mode | | 25 | 250 | 40 |
| 230 | Boost Mode | 50 | 150 | 535 | 57 |
| | High | | 94 | 420 | 54 |
| | Medium | | 69 | 380 | 51 |
| | Low | | 39 | 300 | 44 |
| | 24 hour mode | | 25 | 250 | 40 |
| 240 | Boost Mode | 50 | 160 | 550 | 57 |
| | High | | 94 | 420 | 54 |
| | Medium | | 69 | 380 | 51 |
| | Low | | 39 | 300 | 44 |
| | 24 hour mode | | 25 | 250 | 40 |

Circuit Diagram



Installation

Preparation and Check before Installation

⚠ CAUTION

1. Mount the cooker hood carefully and avoid contact with any metal parts (the lath in the wall or the like) of the building.
2. Never embed the body of the cooker hood in the wall. Otherwise, leakage current in the wall, if any, flows to the body of the cooker hood.
3. The air must not be discharged into a flue that is used for exhausting fumes from appliances burning gas or other fuels (not applicable to appliances that only discharge the air back into the room).
4. The minimum distance between the supporting surface for the cooking vessels on the hob and the lowest part of the cooker hood. When the cooker hood is located above a hob, this distance shall be at least 750mm. If the instructions for installation for the hob specify a greater distance, this has to be taken into account.
5. Use a gas range having a narrower width than that of the cooker hood.
6. Avoid using the cooker hood with changes in the specification, for instance, with modifying the switch.
7. Do not install the cooker hood in a wet area or in other wet rooms since it may result in electric shock or damage.
8. Do not install the cooker hood at a place where its ambient temperature exceeds 40°C, otherwise it may result in failure.
9. To protect your hands from injury, wear working gloves when installing the cooker hood.
10. If the power cord is damaged, it must be replaced by the manufacturer or its service agent or a similarly qualified person in order to avoid a hazard.

Checking mounting surface strength

The mounting surface should have sufficient strength enough to support the cooker hood. Mount the cooker hood on a place durable to support the weight of the cooker hood. (Product weight: 28.0kg (FR-CL1890V/VP), 31.0kg (FR-CL1890R)).

■ Install it on the wall

- If the thickness is more than 20mm, mount the cooker hood directly to the wall.
- If the thickness is less than 20mm, embed a reinforcing board and mount the cooker hood to this board.

Power supply

- This product does not include a power plug. Please have a qualified technician attach a power plug to the power cord. (FR-CL1890V/R only)
- Be sure to use the wall outlet only for the cooker hood.

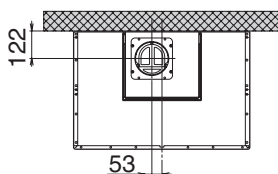
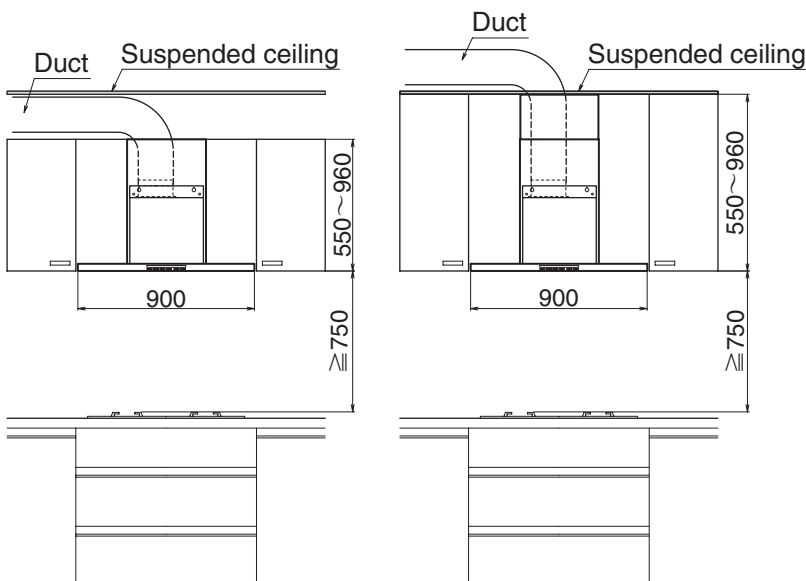
Checking the accessory

Take out the main unit and accessory parts (exhaust port, duct cover and so on) from the packing box, and check whether there is any shortage.

Confirmation of the installation location

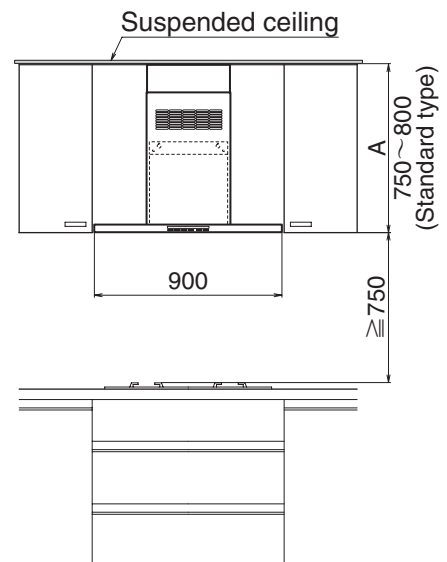
(Unit: mm)

■ Ventilating type



External view

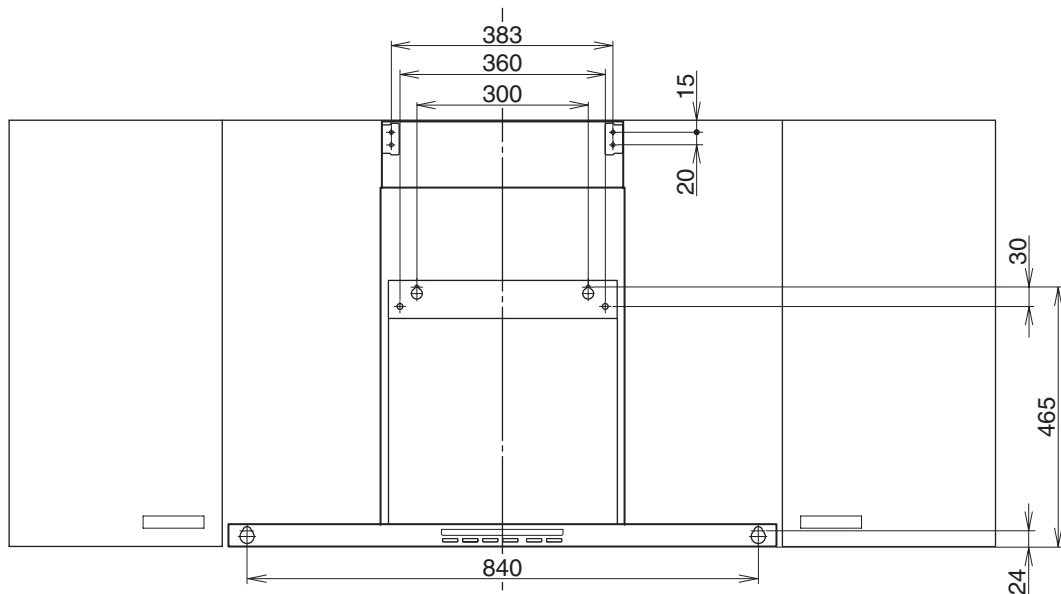
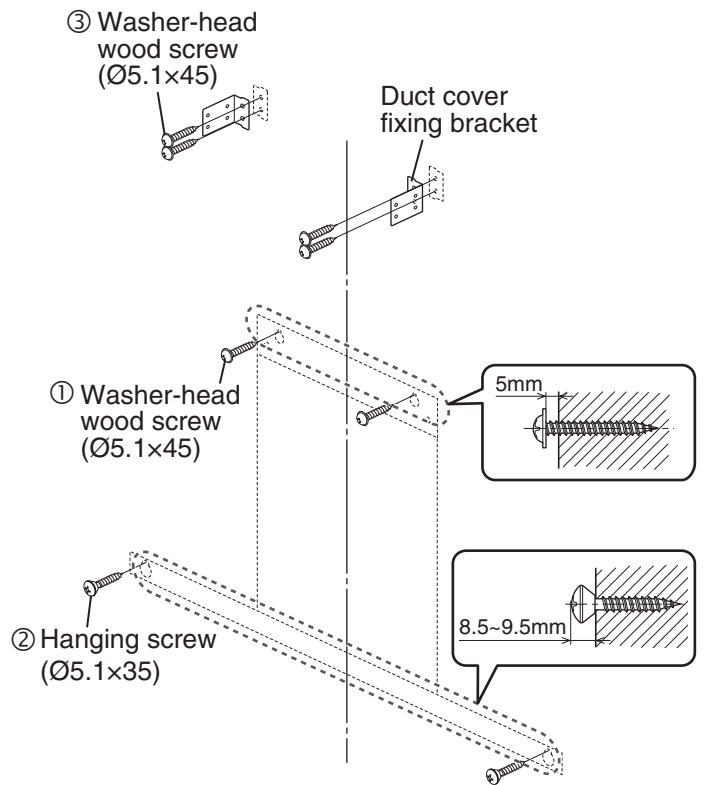
■ Recycling type



| | A |
|---------------|---------|
| FR-CL18-DCT85 | 800~850 |
| FR-CL18-DCT90 | 850~900 |

Cooker Hood Installation

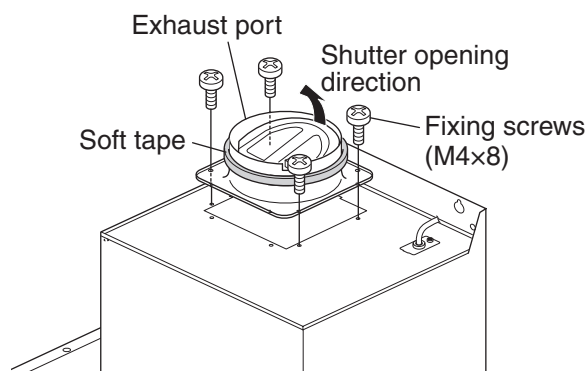
- 1) Refer to the figure below, insert two washer-head wood screws ($\text{Ø}5.1 \times 45$) in the bolt hole position (①) 5mm distance into the wall.
- 2) Insert two hanging screw ($\text{Ø}5.1 \times 35$) in the bolt hole position (②) and screw it firmly.
 - * Hanging screw is screwed into the degree incapable of being embedded into the wall. If the screw is embedded into the wall, cooker hood can be not installed.
- 3) Duct cover fixing bracket and the fittings mounting position (③).
 - Insert two duct cover fixing brackets and two washer-head wood screws ($\text{Ø}5.1 \times 45$).
 - * Please note to align at the center of cooker hood during installation.



■ Ventilating type

When the recycling type is used, please refer to page 12.

- 1) Attach the supplied soft tape around the exhaust port, then secure it with supplied four fixing screws (M4×8).

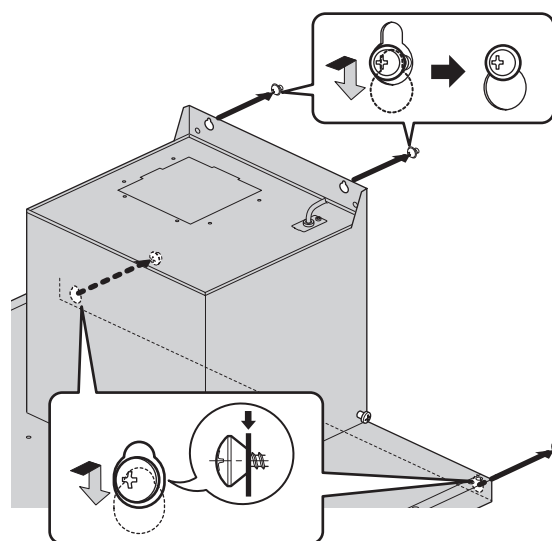


Note

When attaching the exhaust port, pay attention to its shutter opening direction. If it's installed incorrectly, it may cause bad discharge, abnormal noise, etc.

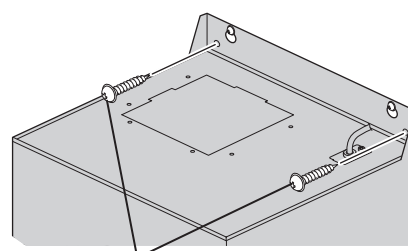


- 2) The mounted washer-head wood screw/ hanging screw is respectively hung in the fixed bolt hole on the back of the main unit.



- 3) washer-head wood screws are screwed down, and the 2 washer-head wood screws (Ø5.1×45) are tightened in the two Ø9 holes below the fixed bolt hole to fix the main unit.

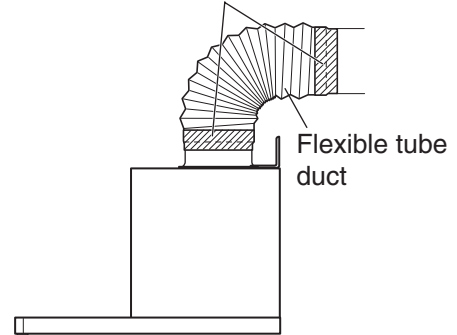
* After installation, please confirm whether the main unit is hung firmly.



Washer-head wood screw
(Ø5.1×45)

- 4) Connect $\varnothing 150$ flexible tube duct or the like with the exhaust port.
Make the exhaust port secure and air-tight using non-flammable tape such as aluminum tape, etc. (not supplied)

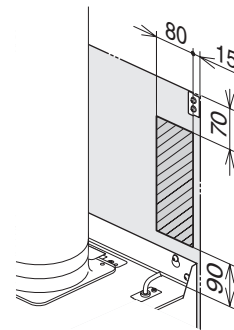
Taping with non-flammable materials
(Aluminum tape etc.)



- 5) Please ensure that breaker is in "off" position, and then, plug power supply into the socket.

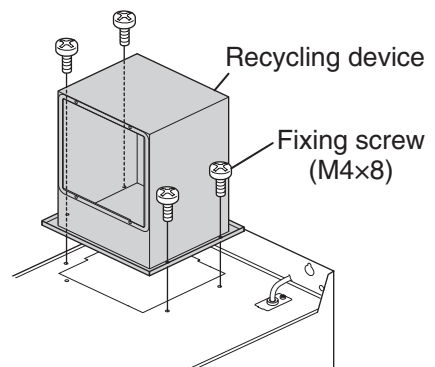
Note

When you connect power plugs, please be sure to turn off the breaker of switchboard.

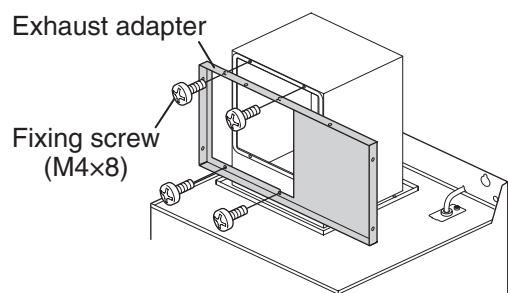


■ **Recycling type**

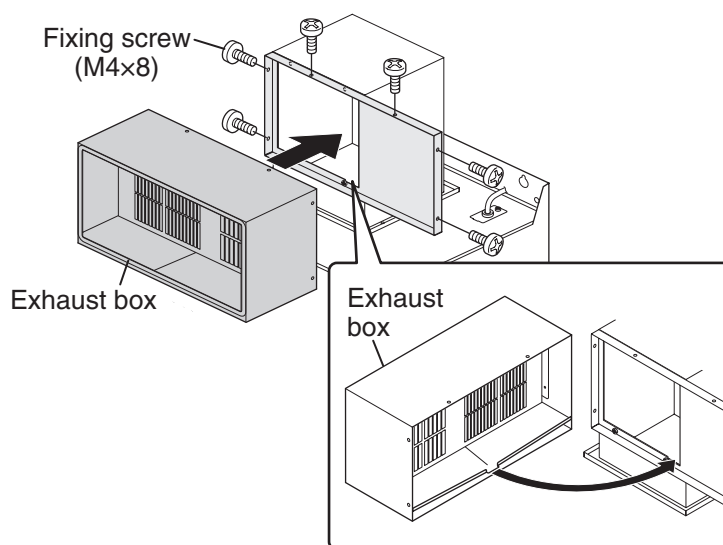
- 1) The recycling device is mounted above the top of the main unit via 4 fixing screws (M4x8).



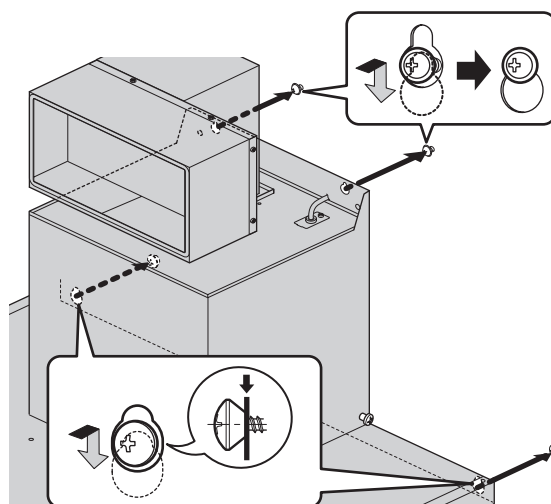
- 2) Exhaust adapter is mounted in front of the recycling device via 4 fixing screws (M4x8).



- 3) Exhaust box is mounted on the exhaust adapter via 6 fixing screws (M4×8).

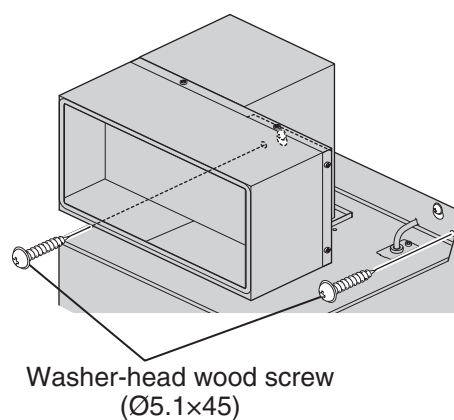


- 4) The mounted washer-head wood screw/hanging screw is respectively hung in the fixed bolt hole on the back of the main unit.



- 5) Two washer-head wood screws are screwed down, and the two washer-head wood screws (Ø5.1×45) are tightened in the two Ø9 holes below the fixed bolt hole to fix the main unit.

* After installation, please confirm whether the main unit is hung firmly.



Fixing Duct Cover

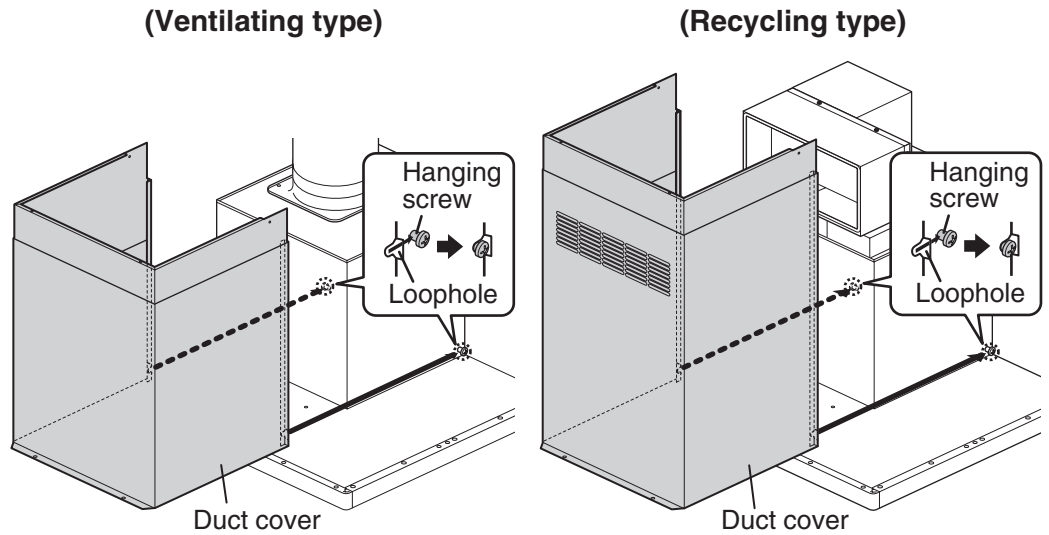
* When using a slide duct sold separately

Please dispose of the slide duct packaged with the product and use the slide duct that is sold separately.

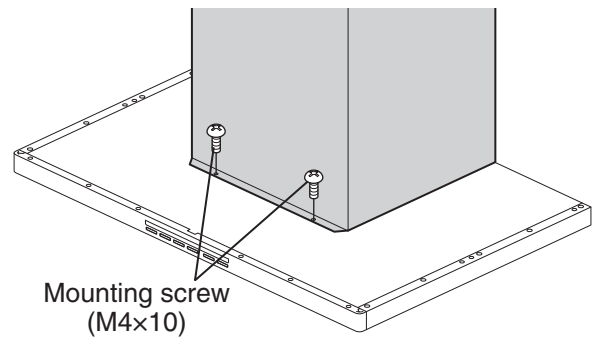
Please be sure to keep the mounting screws and attachment bracket for the duct cover that were used for the slide duct removed as you need to use them to attach the new slide duct.

- 1) Slide the duct cover to shelter the main unit, and the duct (2 sites at left and right) downside the rear end of the duct cover that is hung on the hanging screw of the main unit.

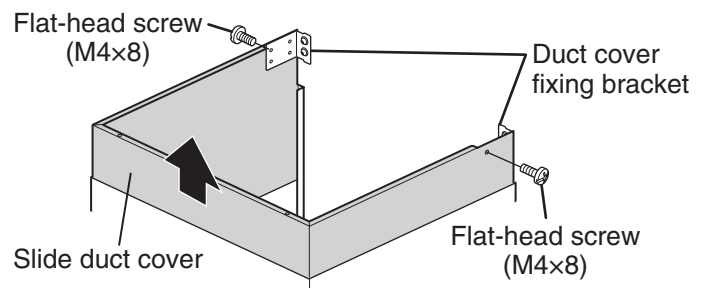
* Note to not damage the product during installation.



- 2) Lower part in front side of the duct cover is fixed on the cooker hood via 2 mounting screws (M4×10).

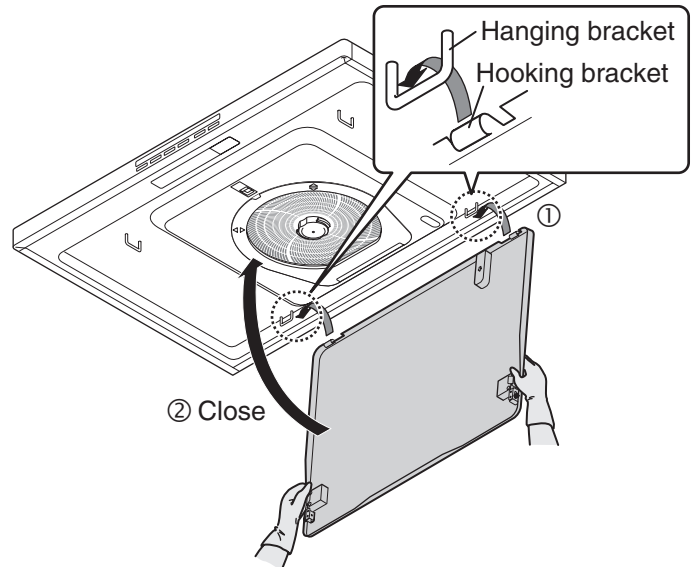


- 3) The sliding portion inside the duct cover is stretched to the ceiling part and fixed on the duct cover fixing bracket via 2 flat-head screws (M4×8).



Attaching Rectifier Panel

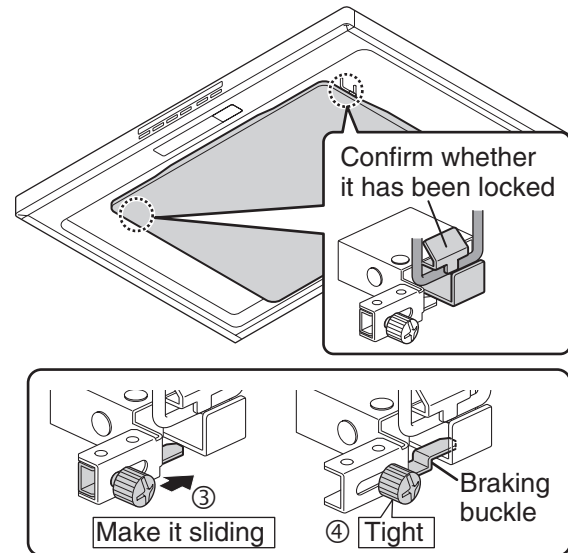
- 1) Hang the Left and right hooking bracket in the rear end of the rectifier panel firmly on the hanging bracket (①) of the cooker hood.
- 2) Use both hands to support the rectifier panel, hold the front-end up and insert it until you hear the locking sound, "crack", and then, fix the rectifier panel (②).
After installation, pull the rectifier panel up and down to check that the panel is firmly fixed.



- 3) Loosen the bolt of braking buckle till the braking buckle can slide back and forth (③) to make the braking buckle sliding to the bottom of the rear end, and then tighten screw (④).

Note

In order to avoid the falling of the fixed parts caused by insufficient locking, please be sure to keep the rectifier panel solid and firm.



Operation Check

Switch the switchboard to the "on" position for test run. How to operate the switches and confirm the running condition, please refer to pages 16 and 17.

- Check that the fan rotates normally at all speeds during operation.
- Check that there are no abnormal sound or vibration.

Power supply

Connect the power plug to the wall outlet (220V/230V/240V AC).

Operation

Switch

Operation on/off switch

* When fan is in shutdown status, LED indicator turns on (standby).

• Operation

When LED indicator turns on, after pressing the switch, the cooker hood goes into operation according to the air flow at the former shutdown time (orange light turns off).



• Shut down

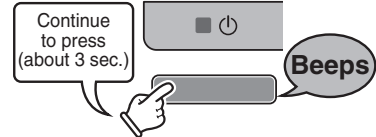
During running condition, after pressing the switch, the cooker hood will immediately stops running.

When it is set as 24 hour mode, switch to 24 hour mode for running (orange light turns off).



• Switch lock

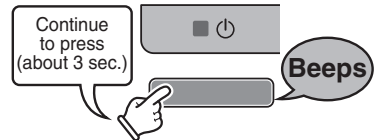
Continue to press the switch (about 3 seconds), close all operating functions to lock the operation switch. When it is in lock state, the on/off light and the 15 minutes-timer display lamp flicker alternatively.



• Release lock

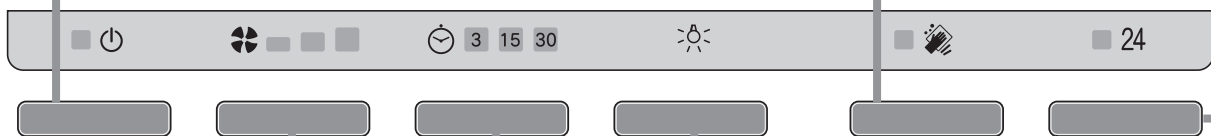
When it is in lock state, continue to press the switch (about 3 seconds) to release lock and return to normal.

* After unlocking, please operate the various functions again according to requirements.



Under lock-out state

Press the switch to make the "bleeping" warn, and the air flow light flashes. Reject the indication of the operation switch.



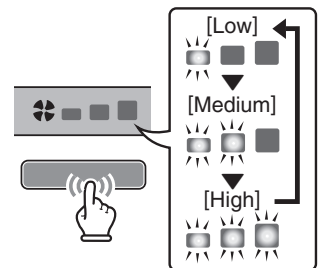
Air flow switch

• Regulate air flow

Under running condition, after press the switch, switch the air flow (corresponding green light turns on).

• Operation in boost mode

Under running condition, continue to press the air flow switch (about 2 seconds) to switch into boost mode. After changing into boost mode, carry out the timing operation for 5 minutes via the high air flow which is more than "High" air flow, and 5 minutes later, get back to the preset air flow for operation.



* Timer settings on the status of boost mode

Under the status of boost mode, if press the timer switch, time is set "3 minutes", the boost mode is end after 3 minutes and the cooker hood stops running. If it is set as "15 minutes" or "30 minutes", after running 5 minutes at boost mode, return to the air flow before switching the boost mode for operation in remaining time.

E.g.) when it switches into boost mode from the "low" air flow and timer is set as "15 minutes",

Boost mode → (after 5 minutes) **running at the "Low" air flow** → (after 10min) **shutdown**

* If you want to finish the boost mode, press the air flow switch to switch into other volume or stop running via pressing operation on/off switch.

Cleaning lamp switch

After being up to the preset cleaning time, cleaning lamp displays and reminds the time (refer to page 18).

If cleaning lamp lights up, please clean the oil tray, disk and other parts ("cleaning" (refer to page 25)).

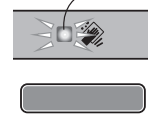
- **Turn off the cleaning lamp**

When cleaning lamp lights up, after press the switch under shutdown state, the lamp goes out, and cleaning time is re-clocked. Please press the switch after cleaning.

- **Re-clock the cleaning time**

When cleaning lamp goes out, continue to press the switch (about 3 seconds) under shutdown state, cleaning time is re-clocked. Please carry out it after cleaning and before warning (before lamp is on).

When it is up to the cleaning time, the display lamp lights up



Note

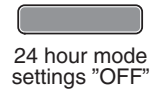
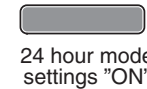
If the lamp lights on too early or too late, please modify the settings of cleaning time (refer to pages 18 and 19).

24 hour mode switch

This function is a continued operation mode with lower air flow than low speed's.

- **Set 24 hour mode operation**

After press the switch under shutdown state, set it as 24 hour mode operation (orange lamp lights on). During setting, it is running in lower air flow than low speed's under the shutdown state (after the operation switch is "off", after timing operation and after prevent forgetting off-delay timing).



- **Relief the 24 hour mode operation**

Continue to press the switch (about 3 seconds) under shutdown state, 24 hour mode operation stops (orange lamp goes out).

Lamp switch

- **LED lamp turns on/off**

Press the switch and the LED lamp lights on. It turns on/off repeatedly every time press the switch.

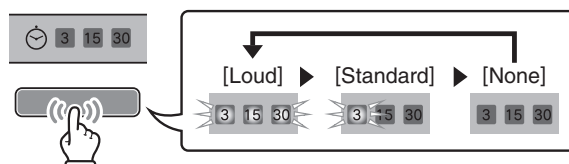
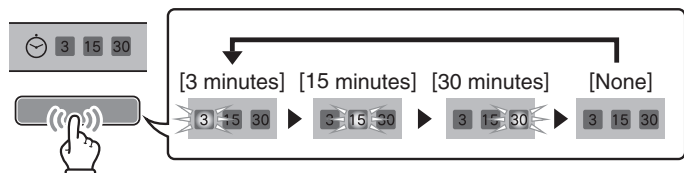
Timer switch

Press the timer switch under running condition, switch into the timing operation at the former stop time.

Setting time is changed every time press the switch (refer to page 19) (the corresponding orange lamp flashes)

- **Adjust volume**

Continue to press the switch (about 3 seconds) under shutdown state, switch the operation volume (the corresponding orange lamp turns on).



Cleaning Lamp

The cleaning time of cooker hood is reminded via display lamp.

If cleaning lamp lights up, please clean the disk, oil tray and other parts (refer to page 25).

After cleaning, press the cleaning lamp switch and the lamp goes out (refer to page 17).

* Initial setting of the cleaning lamp display time is [standard], change the settings in conformity with the use frequency of the cooker hood by reference to the "setting standard".

Setting Standard

| Daily using time | Settings | Setting time | Time for light on |
|------------------|----------|---------------------------------|----------------------------|
| Around 1-hour | Shortest | 60-hour | Light up in around 60 days |
| Around 1.5-hour | Short | 90-hour | |
| Around 2-hour | Standard | 120-hour | |
| Around 3-hour | Long | 180-hour | |
| — | Removing | Cleaning lamp function relieved | Don't light it up |

E.g.) according to the [standard], about 1 hour is set for running the cooker hood, and about 120 days later, the cleaning lamp lights on. If you want to light on the lamp about 60 days later, the setting is changed into the [shortest] to make it turning on at appropriate time.

Note

- After resetting, restart to count the cleaning time.
- For the power plug of the cooker hood, keep timing since socket is pulled up. When re-clocking is done, please operate the cleaning lamp switch or change the settings of cleaning time.
- Running time does not contain 24 hour mode operation.
- Under running condition (only illuminating lamp turns on and excepting for 24 hour mode operation), cut off the power via wall button/power plug/breaker, etc., there exists error in the recorded time.
- If the lamp lights on too early or too late, please modify the settings of cleaning time.

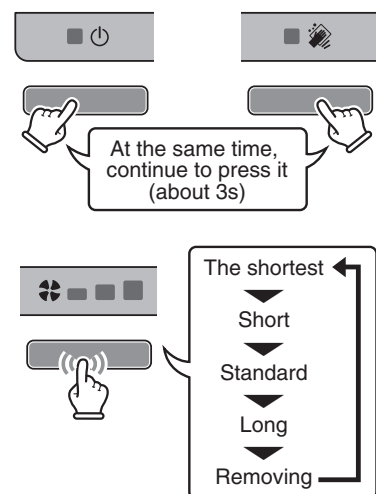
Setting method for the display time

1) Press the on/off switch to stop running.

* Under 24 hour mode running condition, the settings can be changed without shutdown.

2) At the same time, continue to press (about 3 seconds) the on/off switch and the cleaning lamp switch, the cleaning lamp under setting mode flashes.

3) Press the air flow switch and change the settings. Press the switch every time, the setting will be switched.

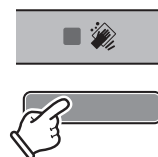


| Settings | The display light |
|----------|-------------------|
| Shortest | |
| Short | |
| Standard | |
| Long | |
| None | |

* If there is no operation for 10sec under setting mode continuously, cancel the setting and get back to the status before changing the settings. If setting needs to be changed, please reset again.

- 4) Press the cleaning lamp switch.
After setup, start to count cleaning time.

* If press on/off switch under setting mode, cancel the setting change and get back to the original status.



Timer Operation

Setting the timer operation during the running state, the cooker hood automatically stops running after continuous running to the setting time. When it is set as 24 hour mode, switch to 24 hour mode for running. Please use it after cooking, as the cooking odor shall be collected and discharged. 3 minutes, 15 minutes and 30 minutes may be chosen for timing time.

Idle Operation Prevention Timer

The cooker hood will automatically stop running and lighting will turn off after operating for 5h. When it is set as 24 hour mode, switch operation setting to 24 hour mode. Press the switch again to restart operation.

Automatic Shutdown

For safety sake, when rectifier panel is opened, the product stops running under running condition, and makes the "bleeping" warn.

And furthermore, if installation status of the rectifier panel is abnormal, all operation switches are locked excepting for lamp switch.

When it is in lock state, the on/off light and the air flow light will be flickered alternately.

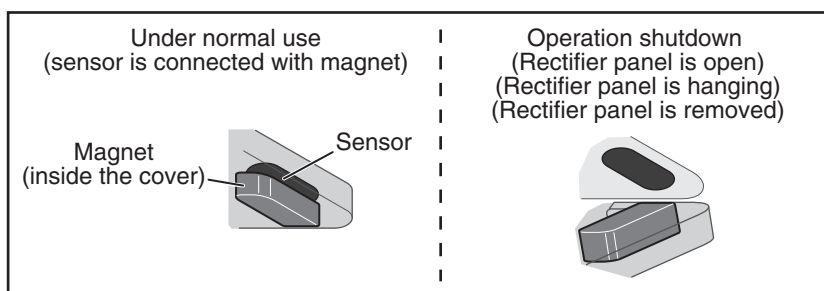
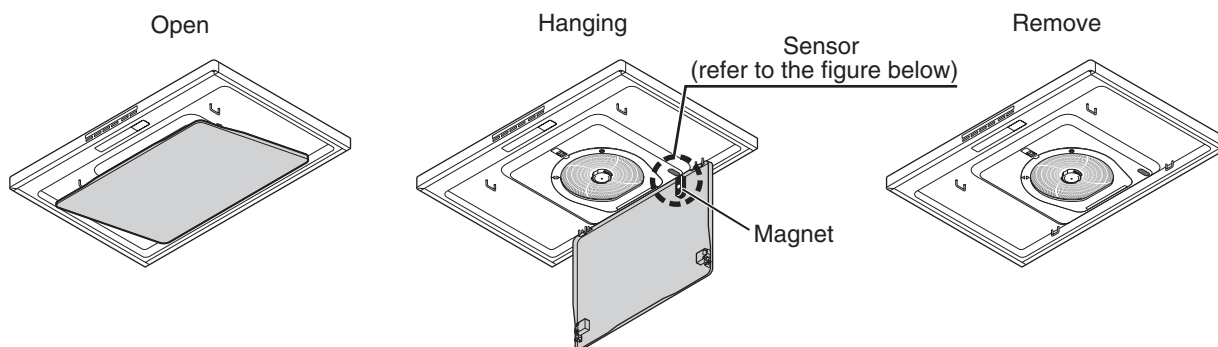
Rectifier panel is under open state...

Press the operation switches beyond the lamp switch, make "bleeping" warn and the timer display lamp flashes. Reject the indication of the operation switch.

* When rectifier panel is in open state or disassembly state, cooker hood is not running.

Operation Shutdown State and Structure Principle

The sensor at the rear end of the rectifier panel monitors the on/off state of the rectifier panel. Under the following state, cooker hood stops running.



Note

Please do not dismantle the magnet on the rectifier panel. Additionally, please do not make other magnet and magnetic object close to the sensor.

Restarting

① Rectifier panel is installed properly

Please refer to page 24.

② Operate various functions again

After installing rectifier panel, operate various functions again according to requirements.

Note


- When rectifier panel is not mounted well, cooker hood is not running.
- After installing rectifier panel, operation is available again and fan is running. Please note it when installing.

About the Cleaning Time

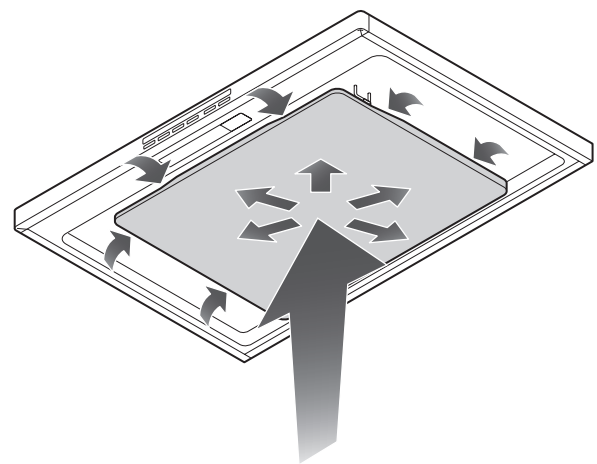
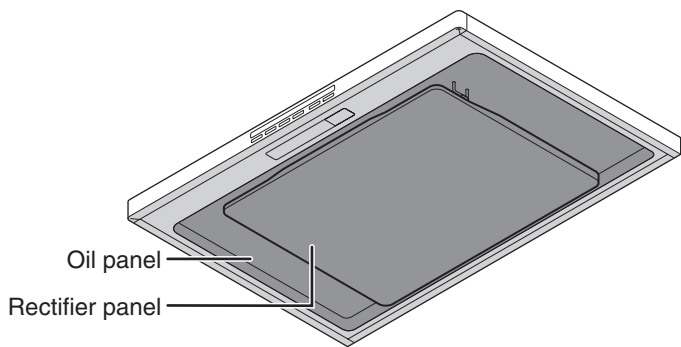
Cooker hood is the device for trapping/discharging the cooking fumes, and partial cooking fumes will be adhered on the cooker hood (oil panel, rectifier panel, etc.). If the cooker hood is used for a long time under the oil staining status, the oxidized causes the deformation of coating surface and falling of coating. If you clean greasy dirt as soon as possible, it can be removed easily to prevent deterioration of the coating surface.

- Standard cleaning time is about 2 months around. Additionally, if the “cleaning lamp” in operation part turns on, please clean it.
 - * The lighting time of “cleaning lamp” can be changed for setting according to the use frequency of the cooker hood (refer to pages 18~19).
- If there is too much greasy dirt, please clean it before turn on the cleaning lamp.

About Daily Cleaning

- As long as you use the cooker hood, there exists greasy dirt, especially in the  parts (oil panel, rectifier panel), it is easy to stain. The daily cleaning method is to dry the sponge soaked with neutral detergent and wiping rag, and then, use it to wipe. After cleaning, please use a damp cloth to carefully wipe it to avoid the residual of the detergent (refer to page 25).

- Why is there greasy dirt?
The cooking fume caused by cooking firstly flows to the rectifier panel as shown in the direction of arrow, and then, enters into the cooker hood via gap. At this time, fine particles of the oil touch with the rectifier panel and the parts of the cooker hood, and then, stick thereon.



Caution for Maintenance

It is very easy to stain the cooker hood, therefore, be sure to frequently clean the cooker hood (especially for the disk, it should be cleaned for one at least 2 months. For the family cooking two meals, be sure to clean the disk for once at least one month).

If cooker hood is not cleaned for a long time, a lot of greasy dirt accumulates to form stubborn greasy hard lump. If oil tray, surroundings of the cooker hood and rectifier panel are polluted, please timely clean it every time. (Cleaning standard: once about 2 months)

Caution Matters for Maintenance

- Before cleaning the cooker hood, be sure to disconnect the power plug from the receptacle, or turn off the breaker.
- For safety, always wear a pair of rubber gloves while cleaning the disk, etc.
- Especially, be careful to prevent electric parts such as the motor, switch, connectors or the like from being splashed with water.
- Do not spray liquid of any type detergent to the electric parts. It's cause trouble.
- Do not use solvents such as thinner, benzene, polishing powder or the like for cleaning the painted surfaces, facing plates, etc. as these parts may become lusterless or scored.
- Do not wash parts with a hard brush or the like for cleaning as it can be damaging.
- If you do not clean the cooker hood according to the methods stipulated in the operation manual, it may lead to a fire hazard.

Detaching Cleaned Parts

Install all parts using the opposite procedure as that for removing the parts.

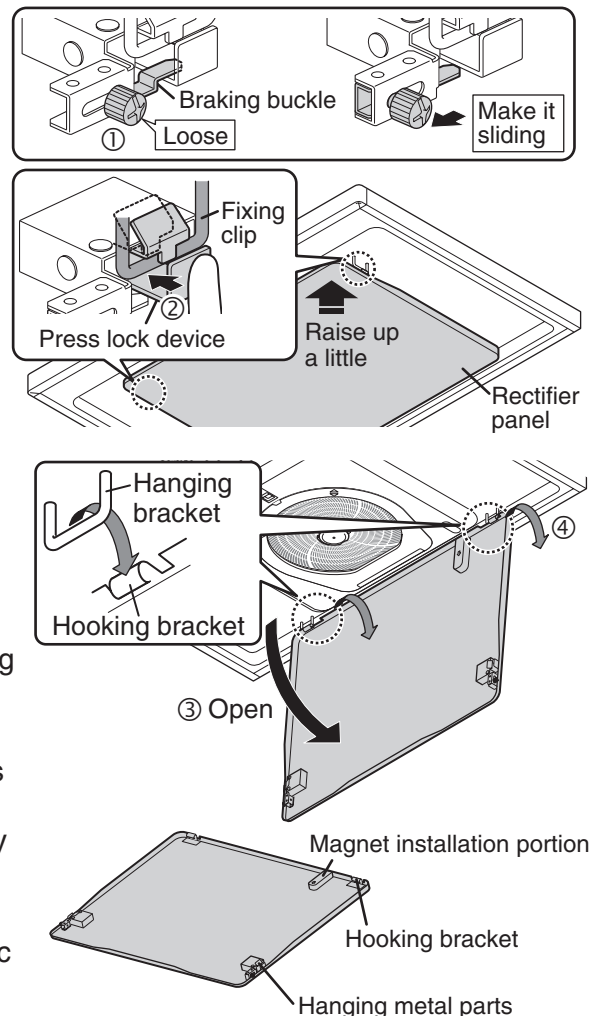
Removal of the rectifier panel

- 1) Loosen the 2 bolts of the fixed braking buckle till the braking buckle can slide back and forth (①).
- 2) Use your hands to support the rectifier panel, slightly push upward to press the hooking bracket on left and right sides of the rectifier panel for removal (②).
- 3) Use your hands to support the rectifier panel and at the same time, slowly dismantle it (③).
- 4) Lift the rear end of the rectifier panel according to the position as shown in the lower right figure to dismantle it from the hanging bracket of the cooker hood (④).

* Please be sure to dismantle the left and right one at the same time. Otherwise, it causes the deformation of metal parts.

Note

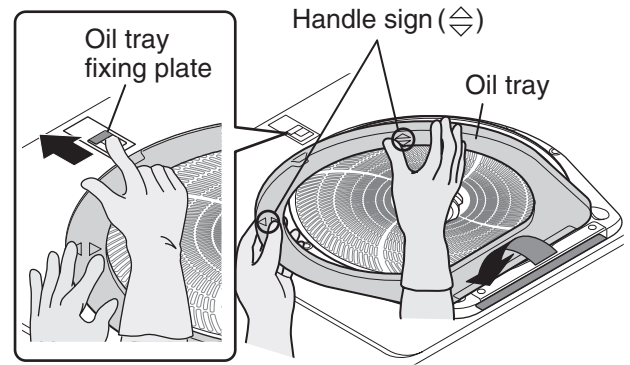
- There may exist oil accumulation on the rectifier panel during dismantling process, please note the dripping of oil.
- When rectifier panel is cleaned, note to keep the hooking bracket, magnet installation portion and hanging metal parts free from deformation. If there exists deformation, it causes the failure of secondary installation of the rectifier panel.
- Please do not dismantle the magnet on the rectifier panel. And furthermore, do not close to other magnet and magnetic substance.



Removal of oil tray

- 1) Use your hand to support the part near the handle sign (◇) of the oil tray, and at the same time, slightly pull the oil tray fixing plate towards your body to dismantle it from the main body of the cooker hood.
- 2) In order to avoid the scattering of the oil and water in the oil tray, hold the part near the handle sign with your hands, note to keep it horizontal while pulling towards your body to dismantle it from the main body of the cooker hood.

* The oil collected by the disk is stored in the oil tray, and the accumulating stock varies from the service condition. Although the amount is small, it is normal. (Oil tray has the function of preventing the oil collected by the disk from scattering.)



Note

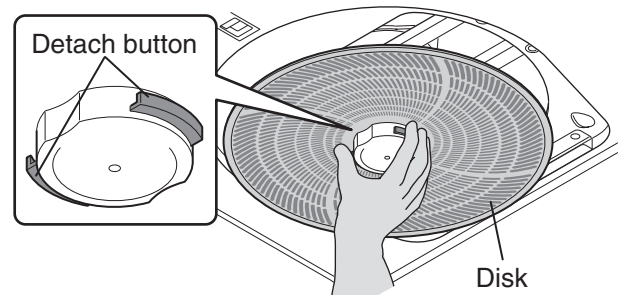
If there is accumulated oil in the oil tray while dismantling, please note the dripping of oil.

Removal of disk

Press the detach button in the center of the disk while pulling it out.

Note

Please do not drop out the disk to avoid deformation. (Or, it causes noise and vibration.)

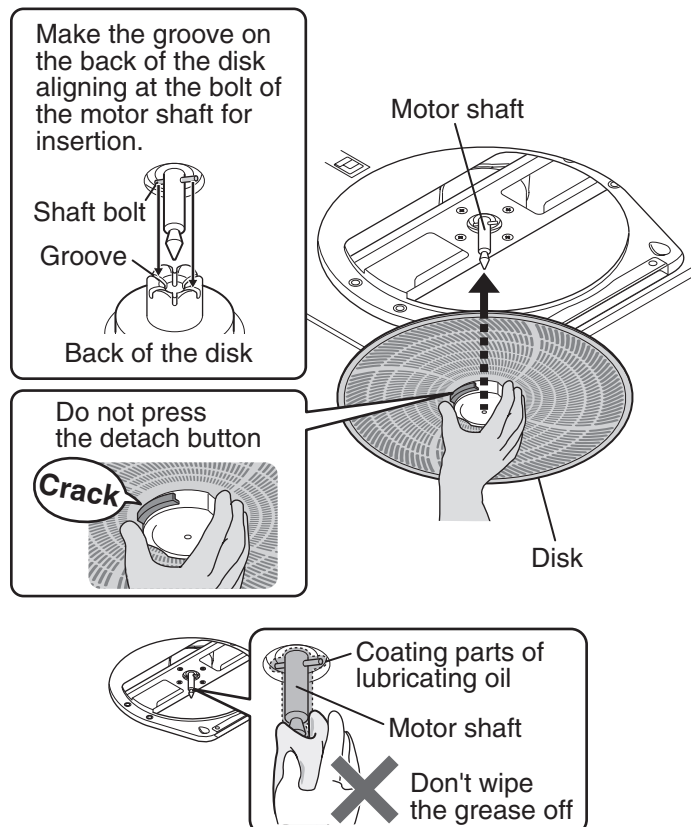


Installation of disk

Take the disk and do not press the detach button, insert the back groove into motor shaft to push it upward till a sound of "crack" is heard. After installation, slightly pull the disk confirm whether it is fixed firmly.

Note

- Please fix the disk completely. Incomplete installation will cause falling off.
- Fully wipe the water in the insertion portion of the motor shaft while cleaning to dry it, and then, carry out installation.
- Please do not wipe the lubricating oil on the motor shaft. The lubricating oil prevents motor shaft from rusting.



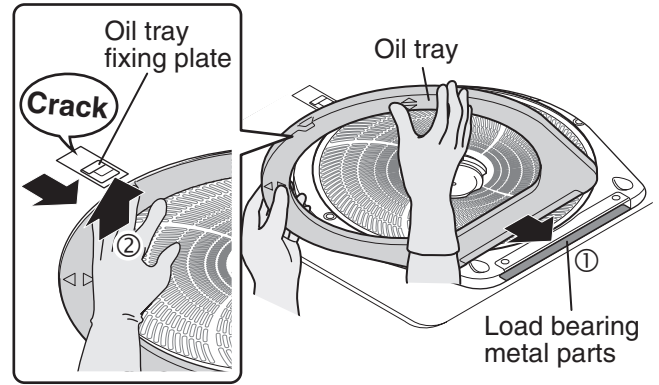
Installation of oil tray

Use both hands to support the oil tray and insert it into the rear-end bearing metal parts (①), and then, push front end upward for installation (②).

* Insert the front end upward till the oil tray makes a "crack" noise to fix it firmly.

Note

Please fix the oil tray completely. Incomplete installation will cause falling off.

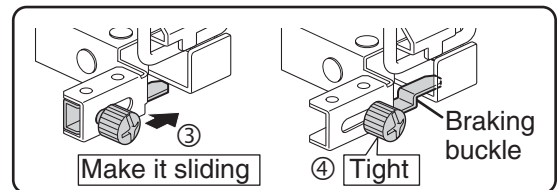
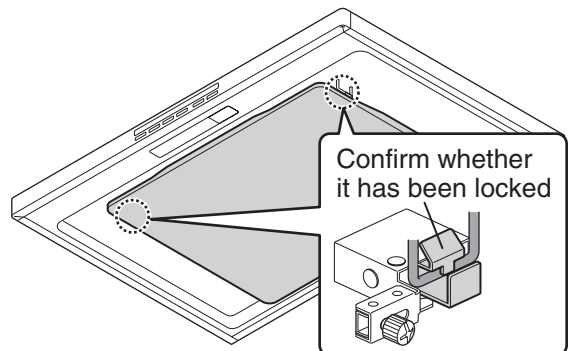
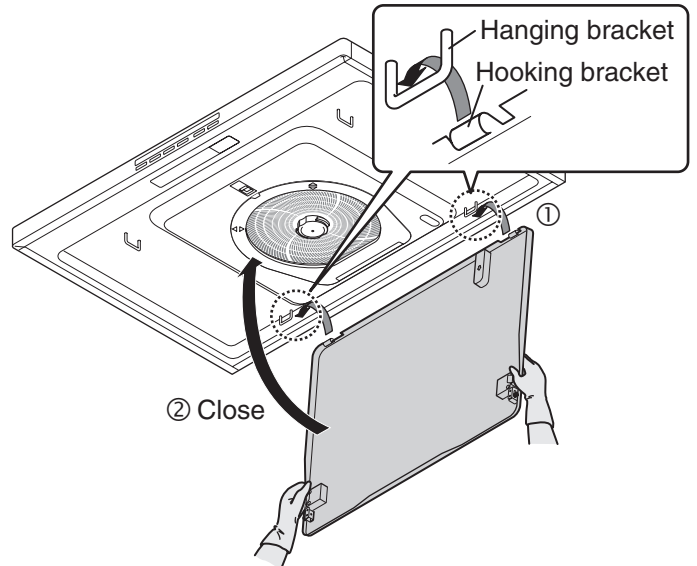


Installation of the rectifier panel

- 1) Hang the Left and right hooking bracket in the rear end of the rectifier panel firmly on the hanging bracket (①) of the cooker hood.
- 2) Use both hands to support the rectifier panel, hold the front-end up and insert it until you hear the locking sound, "crack", and then, fix the rectifier panel (②).
After installation, pull the rectifier panel up and down to check that the panel is firmly fixed.
- 3) Loosen the bolt of braking buckle till the braking buckle can slide back and forth (③) to make the braking buckle sliding to the bottom of the rear end, and then tighten screw (④).

Note

In order to avoid the falling of the fixed parts caused by insufficient locking, please be sure to keep the rectifier panel solid and firm.



Cleaning

Disk

(If any greasy dirt is found, please immediately clean it. Standard: about once every 2 months)

Soak the disk in water in advance and wash it along with the meshes of the disk with soft sponge, etc.

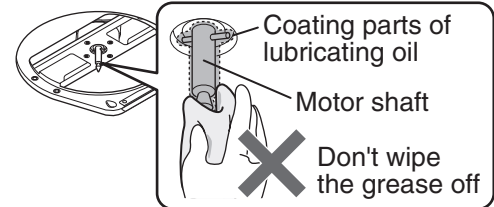
When there is too much greasy dirt, please clean it with neutral detergent.

If the blocked mesh is ignored, it causes poor ventilation and abnormal sound/vibration.



Note

- Fully wipe the water in the insertion portion of the motor shaft while cleaning to dry it, and then, carry out installation.
- Please do not wipe the lubricating oil on the motor shaft. The lubricating oil prevents motor shaft from rusting.



Oil tray

(If any greasy dirt is found, please immediately clean it. Standard: about once every 2 months)

Soak it into the warm water containing neutral detergent and clean it with soft sponge, etc. After cleaning greasy dirt, in order to avoid the residual of detergent, wash it by water and carefully wipe it before installation.

* The greasy dirt is accumulated in the oil tray, and the accumulating stock varies from the service condition. Although the amount is small, it is normal.



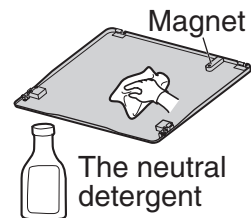
Note

- Please do not put the oil tray in dishes washing drier. Maybe, it causes coating shedding due to coating aging.
- * Metal brush, scrubbing brush and other hard object will cause scratching on the clean surface, so, please do not use it.
- * If alkaline detergent is used, maybe, it causes surface color change.

Rectifier panel

(If any greasy dirt is found, please immediately clean it.)

In order to avoid the residual of detergent, wipe it out with wet cloth carefully after wiping it with the soft sponge/soft cloth soaked into the warm water of neutral detergent.



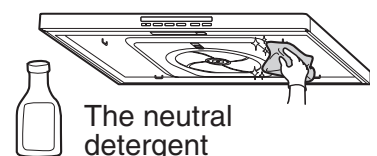
Note

- Sometimes, there is serious accumulation of greasy dirt, at this time, soak rectifier panel into the warm water containing neutral detergent, wipe out the greasy dirt when it becomes loose.
- Please be sure to dismantle the rectifier panel from the main body of the cooker hood before cleaning. Otherwise, it causes falling off/deformation.
- Please put the dismantled rectifier panel horizontally for cleaning. Otherwise, it causes deformation/scratching.
- When rectifier panel is used, please do not bump against or dismantle the magnet. It may cause the failure of the automatic operation shutdown.
- * Metal brush, scrubbing brush and other hard object will cause scratching on the clean surface, so, please do not use it.
- * If alkaline detergent is used, maybe, it causes surface color change.

Cooker hood and Oil panel

(If any greasy dirt is found, please immediately clean it.)

In order to avoid the residual of detergent, wipe it out with wet cloth carefully after wiping it with the soft sponge/soft cloth soaked into the warm water of neutral detergent. Especially, the greasy dirt at the lower end of the cooker hood is adhered easily, please wipe it out carefully.



Note

- * Metal brush, scrubbing brush and other hard object will cause scratching on the clean surface, so, please do not use it.
- * If alkaline detergent is used, maybe, it causes surface color change.

Other Information

Troubleshooting

Before request repairing services, please confirm whether there is the following situation again.

| Symptom | Possible cause | Action |
|---|--|--|
| <ul style="list-style-type: none"> Although turn on the switch, there is no electricity in the disk/lighting. Disk does not rotate. | <ol style="list-style-type: none"> 1.Brake of the switchboard is "off". 2.Power plug is pulled out. 3.It is in lock-out state. 4.Rectifier panel is in open or uninstalled state. | <ol style="list-style-type: none"> 1.Brake of the switchboard is "on". 2.Plug in the power plug. 3.Release lock. (Refer to page 16) 4.Rectifier panel is installed properly. (Refer to page 20 and 24) |
| <ul style="list-style-type: none"> The lighting doesn't light up. | <ol style="list-style-type: none"> 1.It is in lock-out state. 2.Connector suffers poor contact or connector is disconnected. | <ol style="list-style-type: none"> 1.Release lock. 2.Request repairing. |
| <ul style="list-style-type: none"> Indicator light flashes. Press operating switches and make warning beep. | <ol style="list-style-type: none"> 1.It is in lock-out state. 2.The rectifier panel is not mounted properly. | <ol style="list-style-type: none"> 1.Release lock. (Refer to page 16) 2.Rectifier panel is installed properly. (Refer to page 20 and 24) |
| <ul style="list-style-type: none"> No greasy dirt is accumulated in the oil tray. | <ol style="list-style-type: none"> 1.The stock of greasy dirt varies from the cooking frequency and climate. 2.Oil adhered to the cooker hood, rectifier panel, etc. (Only the oil adhered outside the disk is accumulated in the oil tray.) | <ol style="list-style-type: none"> 1.Discard the greasy dirt after it is accumulated in the oil tray. (Refer to page 23) 2.If oil is adhered to the cooker hood or rectifier panel, immediately wipe it out. |
| <ul style="list-style-type: none"> There exists abnormal sound. | <ol style="list-style-type: none"> 1.Air supply is not sufficient. 2.Disk is not installed completely. 3.Oil tray is not installed completely. 4.Due to the influence of the external wind power, the window of discharge flue makes a noise of click, belonging to normal phenomenon. 5.During slowdown/low speed running, it makes the noise of brake slowdown from the disk occasionally, belonging to normal phenomenon. 6.During startup/shutdown period of the cooker hood, the motor may produce noise occasionally. The noise is produced by the rotation control of motor, and it's normal. | <ol style="list-style-type: none"> 1.Guarantee enough air supply, open window or air inlet. 2.Reinstall disk.(Refer to page 23) 3.Oil tray is installed again. (Refer to page 24) |
| <ul style="list-style-type: none"> Insufficient suction power. Excessive running noise. | <ol style="list-style-type: none"> 1.Disk is dirty. 2.Air supply is inadequate. 3.It is blown by the air from air conditioner and window. 4.Outlet of the duct is blocked. | <ol style="list-style-type: none"> 1.Clean the disk. 2.Open the window and air inlet to guarantee sufficient air supply. 3.Avoid wind blow. 4.Request repairing. |

Service and Warranty

When requesting after sales service:

- If any abnormality occurs while the cooker hood is in operation, switch off the cooker hood to run, check the following points, disconnect the power plug from the receptacle and consult the shop from which you have purchased your cooker hood.

(1) Whether the fuse in the circuit breaker has been burnt out?

(2) Whether the power plug is not in proper contact with the receptacle?

When consulting the shop, inform the shop the type/model of cooker hood requiring repair and the date when it was purchased.



- The minimum retention period of performance parts for repairing the cooker hood is 5 years after termination of manufacturing of the cooker hood.

The performance parts refer to those parts for required to maintain the functions of a cooker hood. However the same kinds of repair parts or interchangeable parts will be supplied for 4 years thereafter. If the functions can be maintained when repaired, we are willing to repair when ordered by you.

- *The parts used on the cooker hood are subject to partial change without prior notice owing to improvement of performance.*

Global Website
www.fujioh.com

FUJIOH INTERNATIONAL TRADING PTE.LTD.

Southeast Asia Regional Headquarters

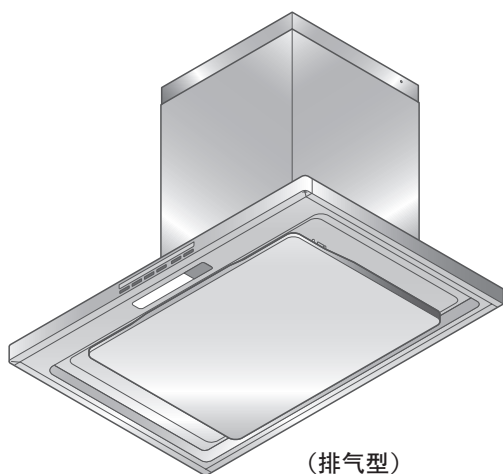
130 Joo Seng Road #05-05 Singapore 368357

Tel : (65) 6286 3286 Fax : (65) 6285 3285

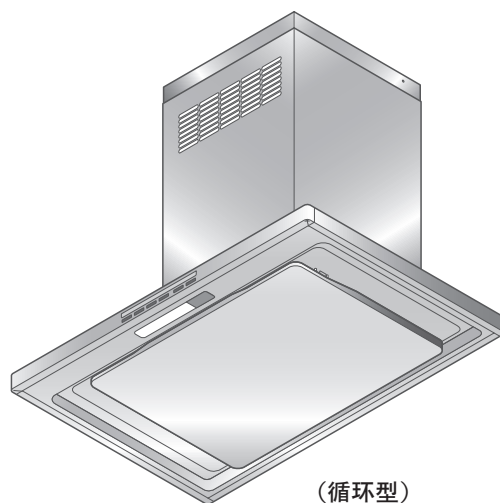
E-mail : fit@fujioh.com.sg

FR-CL1890V (排气型)
FR-CL1890VP (排气型)
FR-CL1890R (循环型)

安装及操作手册



(排气型)



(循环型)

目 录

| | | | |
|---------------------|-------|---------------------|--------|
| 安全注意事项 | 2~4 | 操作 | 16~21 |
| 保养与维护 | 3 | 操作按键 | 16, 17 |
| 使用须知 | 4 | 清洁时间显示灯 | 18, 19 |
| 准备 | 4~8 | 计时运转 | 19 |
| 方便的功能 | 4 | 防止忘记关闭机体的计时功能 | 19 |
| 部件名称 | 5, 6 | 自动运转停止 | 20 |
| 规格 | 7 | 关于清洁时间 | 21 |
| 电路图 | 8 | 保养与维护 | 22~25 |
| 安装 | 8~15 | 维护注意事项 | 22 |
| 安装前的准备和检查 | 8~9 | 分离要清洗部件 | 22~24 |
| 安装吸油烟机 | 10~13 | 清洁 | 25 |
| 安装排气管盖 | 14~15 | 其他信息 | 26, 27 |
| 安装整流板 | 15 | 诊断故障 | 26 |
| 运行检查 | 15 | 修理与保修 | 27 |

敬告零售商及安装单位：
安装结束后，请务必将本手册呈交用户。

感谢购买本公司吸油烟机。
安装吸油烟机之前，请通读本说明书。
请将本手册置于方便之处，以备今后参考。



安全注意事项

- 安装及使用本产品前，应阅读以下安全注意事项，以便正确、安全地安装吸油烟机。
- 这些安全注意事项旨在正确安装本产品，以防对自己或他人造成危险或伤害。根据危险性和损害程度，安全注意事项分为“警告”和“注意”两个等级。由于这些注意事项对于安全至关重要，因此务必加以注意并严格予以遵守。



警告

表示会导致重大人身伤亡。



注意

表示会导致人身伤害或物品损坏。

警告



4 眼炉灶以下 (7.0kW)

- 如果在超过 4 眼炉灶或燃烧灶炉的上部安装吸油烟机，总功率不可超过 7.0kW



严禁拆卸、修理或改动

- 严禁拆卸、修理或改动。应请合格技术人员进行操作，否则可能造成火灾、电击或异常情况。



禁止使用

- 电压超过 220 V / 230 V / 240 V AC 的地方禁止使用。否则可能造成火灾或电击。



注意组装

- 必须由专业安装人员正确布线。布线不当可能造成漏电或火灾。



注意安装

- 应至少由 2 人进行安装工作。吸油烟机的重量约为 28kg (FR-CL1890V/VP), 31kg (FR-CL1890R)。



注意安装

- 为了确保与主电源全极断开，应在固定布线中设置断开装置。



注意安装

- 把满足过电压种类 III (Overvoltage category III) 条件的装置按照配线规则组装至固定配线中，进行两极隔断 (all pole disconnection)。



拔下电源插头

- 保养和维护时，务必从插座上拔下电源插头，或关闭断路器开关。此外，请勿用湿手接触电源插头或断路器。否则会导致电击或人身伤害。



擦除灰尘

- 应经常清洁电源插头，以免灰尘积聚。否则会造成火灾或电击。



严禁喷水

- 严禁向任何电子部件喷水。否则会造成火灾或电击。



严禁操作

- 煤气泄漏时，严禁操作吸油烟机的开关。否则会造成煤气爆炸。



注意通风

- 选择通风良好的位置进行安装。使用自然排气式炉具时，如果通风换气不良会造成一氧化碳中毒。



严格执行

- 吸油烟机排出的气体不应排到用于排出燃烧煤气或其他燃料的烟雾使用的热烟道中。(该条不用于把气体排回室内的吸油烟机。)



注意调节

- 必须进行排气调节。



要求监督

- 体质虚弱者、感觉能力或精神状况较差者 (包括儿童)，或缺乏经验和知识者不宜使用本产品，除非有专人负责其安全并为其提供与本产品使用相关的监督或指导。应对儿童加以监管，切勿让其玩弄本产品。



注意通风

- 在多种器具燃烧煤气或其他燃料的情况下使用吸油烟机时，应使室内保持良好的通风状况。



经常清洁

- 如果未按说明进行清洁，可能会引发火灾。



严禁烧烤

- 禁止在吸油烟机下方烧烤食品。

注意



注意安装

- 选择坚固的位置，牢固安装本产品。否则机体掉落将会造成伤害。



注意

- 当油达到集油圈 1/2 时，请及时清理，以防拆除油杯时废油溢出或滴落。



严禁注入空气

- 不得向用于排烟 (从使用煤气或其他燃料的器具中产生的废气) 的烟道注入空气。

注意



注意安装

- 煤气灶上蒸煮器具的支撑面与吸油烟机最低部分之间的最小距离。当吸油烟机位于煤气用具上方时，到吸油烟机下端的距离应保持在 750 mm 以上。如果煤气灶的安装说明书规定有较大的间距，则必须将其考虑在内。



捏住电源插头的端部拔掉插头

- 断开电源时，应捏住电源插头的端部将插头拔掉，不要拽拉电线。否则会使电线受损，并可能引起火灾或电击。



拔掉插头

- 长时间不使用时，务必将电源插头从插座上拔下或关闭断路器开关。否则会造成绝缘性能受损，并可能引起火灾或电击。



禁止使用

- 切勿在浴室等潮湿的场所使用本产品。（应在浴室使用排气扇。）否则可能造成火灾或故障。



注意组装

- 要确实地安装好在维修等时取下的部件。否则部件掉落将会造成伤害。



注意组装

- 必须根据有关标准或规定安全布设电线。布线不当会造成火灾或电击。



禁止接触

- 不要在烹饪过程中接触油烟分离盘和周围的部件。否则会使油烟分离盘或部件脱落，造成烫伤或伤害。



禁止接触

- 吸油烟机运转时，切勿将手指或其他物品插入其中。否则会造成故障或伤害。



禁止操作

- 油锅着火时应立即关闭吸油烟机的电源。否则会造成助长火势，造成危险。



禁止放置物品

- 请勿在吸油烟机上放置任何物品。否则会造成火灾、故障，或因物品掉落而造成伤害。



戴工作手套

- 保养和维护时务必戴上工作手套。否则会被尖锐的边角划伤。



更换受损的电源线

- 如果电源线受损，必须由制造商、服务代理机构或同等资格的人员予以更换，以免造成危险。



禁止

- LED 灯发光时，请勿直视，以免伤到您的眼睛。



严格执行

- 排气管必须确保接到室外。为了避免火灾的发生并保持空气清新，请将废气排到室外。请不要将废气排到墙内，阁楼或车库中。



注意

- 仅限使用附属螺丝。如果不按此说明，使用其他螺丝或固定装置安装，可能会造成电气故障。



注意

- 本产品 LED 灯的更换，请联系 FUJIOH 或代理商。

保养与维护

由于吸油烟机很容易脏污，因此应经常清洁吸油烟机（尤其是油烟分离盘，应至少 2 个月清洁一次。对于每天做两顿饭以上的家庭而言，应至少每月清洁一次油烟分离盘）。

如果吸油烟机长时间不清洁，将会积聚大量油污，形成很难去除的油脂硬块。

集油圈、吸油烟机四周、整流板如果污染时，请每次及时清洗。（清洗标准：约 2 个月一次）

■ 清洁

清洁配件为“油烟分离盘”、“集油圈”、“整流板”、“吸油烟机”、“油面板”。

清洁方法请阅读第 22 页。

使用须知

- 使用烹饪器具时，务必运行吸油烟机。
否则，吸油烟机可能会因温度增高而造成损坏或故障。
- 请勿在未放置任何器具的情况下使用煤气灶。
否则，机身可能会因受热而造成故障。
- 使用电磁炉时，吸油烟机的吸油烟性能可能会因侧风的影响而削弱。此外，如果在低温条件下使用吸油烟机，则其表面形成结露。
此时，应将吸油烟机擦拭干净后再予使用。
- 防止空调直接吹风。
否则，其吸油烟性能可能会降低。尤其是当电磁炉几乎没有产生的上升气流时，吸油烟机便很容易在开阔的空间中受到影响。
- 在吸油烟机运行过程中，应注意保持良好的通风环境。
在吸油烟机对面的墙体上应留有足够的进风口，或将房间的门稍稍打开。否则，吸油烟性能可能减弱，或可能产生异常噪音 / 振动。
- 热水器应与吸油烟机保持 500 mm 以上的距离。
由于热水器周围温度较高，因此应与吸油烟机保持 500 mm 以上的距离。切勿将吸油烟机安装在热水器的上方。否则，吸油烟机可能会因温度增高而造成损坏或故障。
- 请勿在整流板拆下的情况下使用吸油烟机。
否则，吸油烟性能可能因此而降低。
- 处理废吸油烟机时，首先处理成不能使他人继续能够使用的状态之后丢弃。

准备

方便的功能

■ 采用新功能 OIL SMASHER

本产品“OIL SMASHER 装置单元”可很好地收集粘附在吸油烟机内部及风扇上的油质。与以往机型相比是一款内部油污粘附非常少的吸油烟机。以往机型的吸油烟机采用多孔滤网收集烹饪中产生的油污。过滤不净的油污会粘附在吸油烟机内部及风扇上，因此需要定期进行清理。

本产品采用独自开发的新功能“OIL SMASHER 功能”，通过强力 OIL SMASHER 功能将烹饪中发生的油烟及水分回收到集油圈，可大幅度减少粘附在风扇上的油质。

集油圈 / 油烟分离盘的拆卸 / 安装均为一触式操作，清洗也非常简单。

■ 清洁时间显示灯

清洁灯点亮，以此提醒吸油烟机的清洁时间（参考第 18 页）。

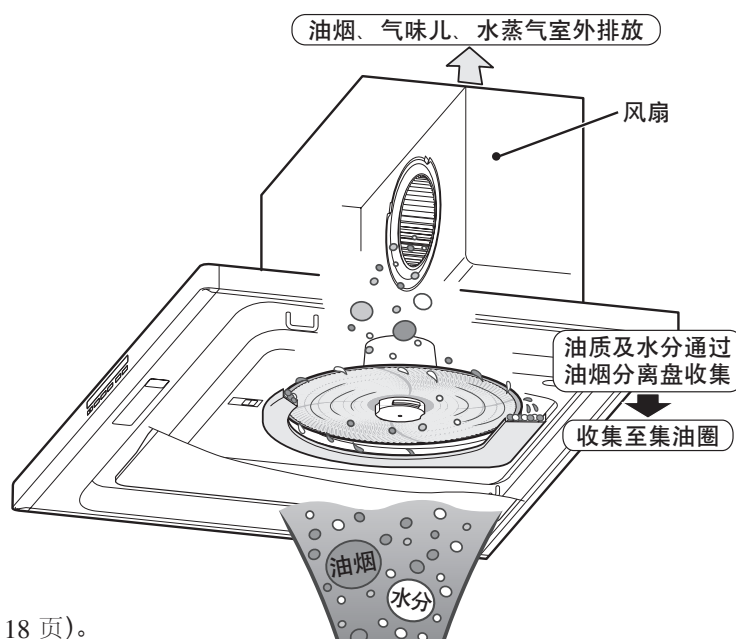
清洗时间的显示设定可参考吸油烟机使用频度进行更改（参考第 18, 19 页）。

■ 自动运转停止

整流板一旦处于开启的状态，吸油烟机的运转自动停止。（参考第 20 页）。

■ 存储功能

吸油烟机可存储上次的操作状态，简化下次使用时的操作（运转风量、计时时间）。



■ 计时运转

持续运转至设定时间后，自动停止运转。

因要清除烹饪后的气味儿、粘附在风扇上的油污，请烹饪后使用（参考第 19 页）。

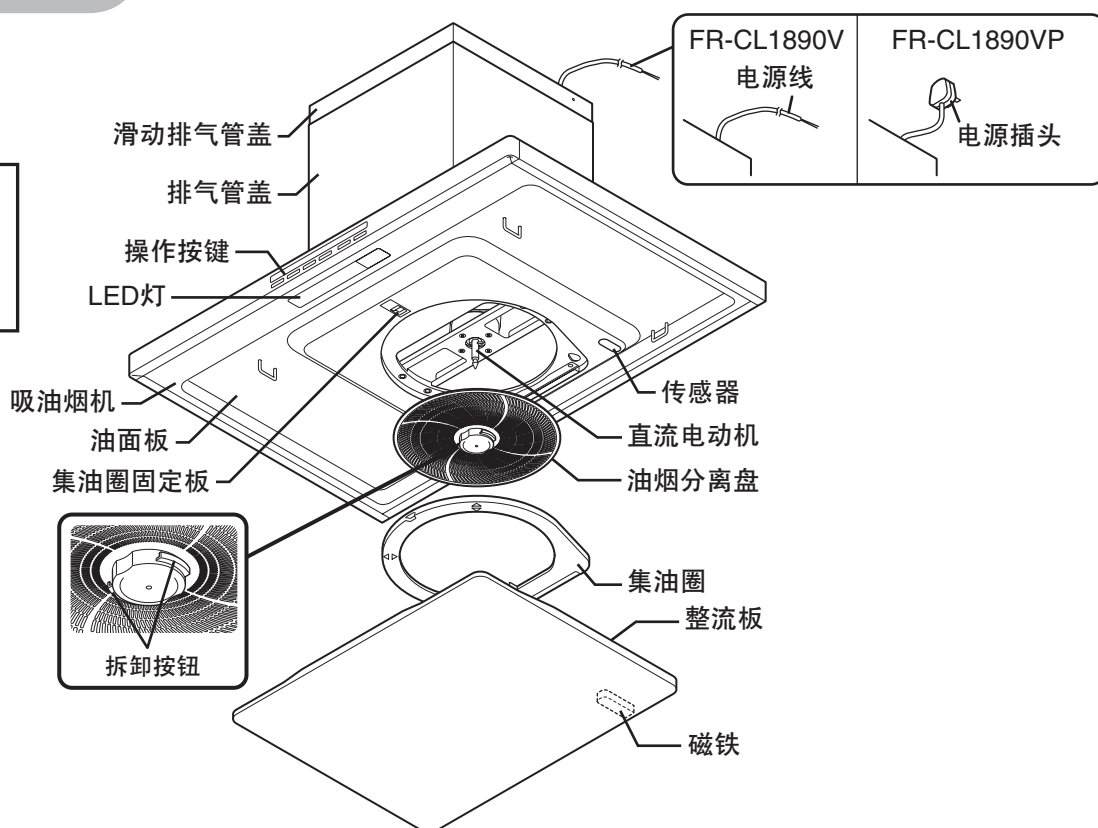
■ 防止忘记关闭机体的计时功能

从最后操作起一旦连续运转约 5 小时会自动停止运转、关闭照明（参考第 19 页）。

部件名称

■ 排气型

◆关于油烟分离盘
油烟分离盘在旋转时多少有些晃动，并非性能上问题。



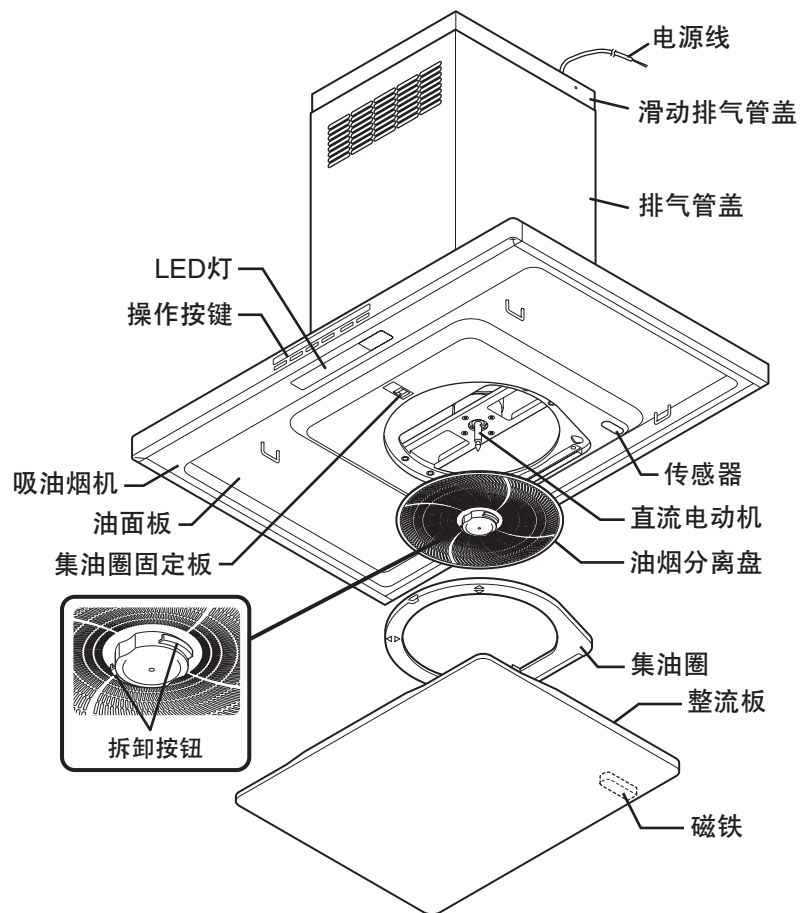
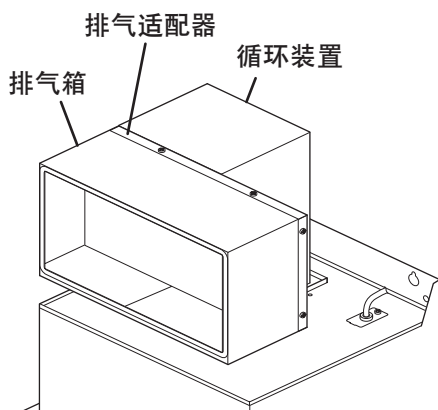
装箱清单

| 名称 | 用途 | 数量 |
|-----------------|-----------|----|
| 主机 | — | 1 |
| 整流板 | — | 1 |
| 排气管盖 | — | 1 |
| 滑动排气管盖 | — | 1 |
| 垫圈木螺丝 (Ø5.1×45) | 固定挂钩及排气管盖 | 8 |
| 吊挂螺丝 (Ø5.1×35) | 安装主机 | 2 |
| 排气管盖固定支架 | 固定排气管盖 | 2 |
| 平头螺丝 (M4×8) | 固定排气管盖 | 2 |
| 平头螺丝 (M4×10) | 固定排气管盖 | 2 |
| 排气口 | 连接主机同排气管 | 1 |
| 固定螺丝 (M4×8) | 连接主机同排气口 | 4 |
| 软密封带 | — | 1 |

■循环型

◆关于油烟分离盘

油烟分离盘在旋转时多少有些晃动，并非性能上问题。



装箱清单

| 名称 | 用途 | 数量 |
|-----------------|--------------|----|
| 主机 | — | 1 |
| 整流板 | — | 1 |
| 排气管盖 | — | 1 |
| 滑动排气管盖 | — | 1 |
| 垫圈木螺丝 (Ø5.1×45) | 固定挂钩及排气管盖 | 8 |
| 吊挂螺丝 (Ø5.1×35) | 安装主机 | 2 |
| 排气管盖固定支架 | 固定排气管盖 | 2 |
| 平头螺丝 (M4×8) | 固定排气管盖 | 2 |
| 平头螺丝 (M4×10) | 固定排气管盖 | 2 |
| 固定螺丝 (M4×8) | 固定循环装置与排气适配器 | 14 |
| 循环装置 | — | 1 |
| 排气适配器 | — | 1 |
| 排气箱 | — | 1 |

规格

FR-CL1890V/VP (排气型)

| 额定电压 (V) | 档位 | 额定频率 (Hz) | 消耗功率 (W) | 风量 (m ³ /h) | 噪声 (dB) |
|----------|---------|-----------|----------|------------------------|---------|
| 220 | 加强模式 | 50 | 135 | 600 | 53 |
| | 高档 | | 62 | 420 | 46 |
| | 中档 | | 48 | 380 | 44 |
| | 低档 | | 30 | 300 | 38 |
| | 24 小时运转 | | 20 | 250 | 32 |
| 230 | 加强模式 | 50 | 135 | 600 | 53 |
| | 高档 | | 62 | 420 | 46 |
| | 中档 | | 48 | 380 | 44 |
| | 低档 | | 30 | 300 | 38 |
| | 24 小时运转 | | 20 | 250 | 32 |
| 240 | 加强模式 | 50 | 135 | 600 | 53 |
| | 高档 | | 62 | 420 | 46 |
| | 中档 | | 48 | 380 | 44 |
| | 低档 | | 30 | 300 | 38 |
| | 24 小时运转 | | 20 | 250 | 32 |

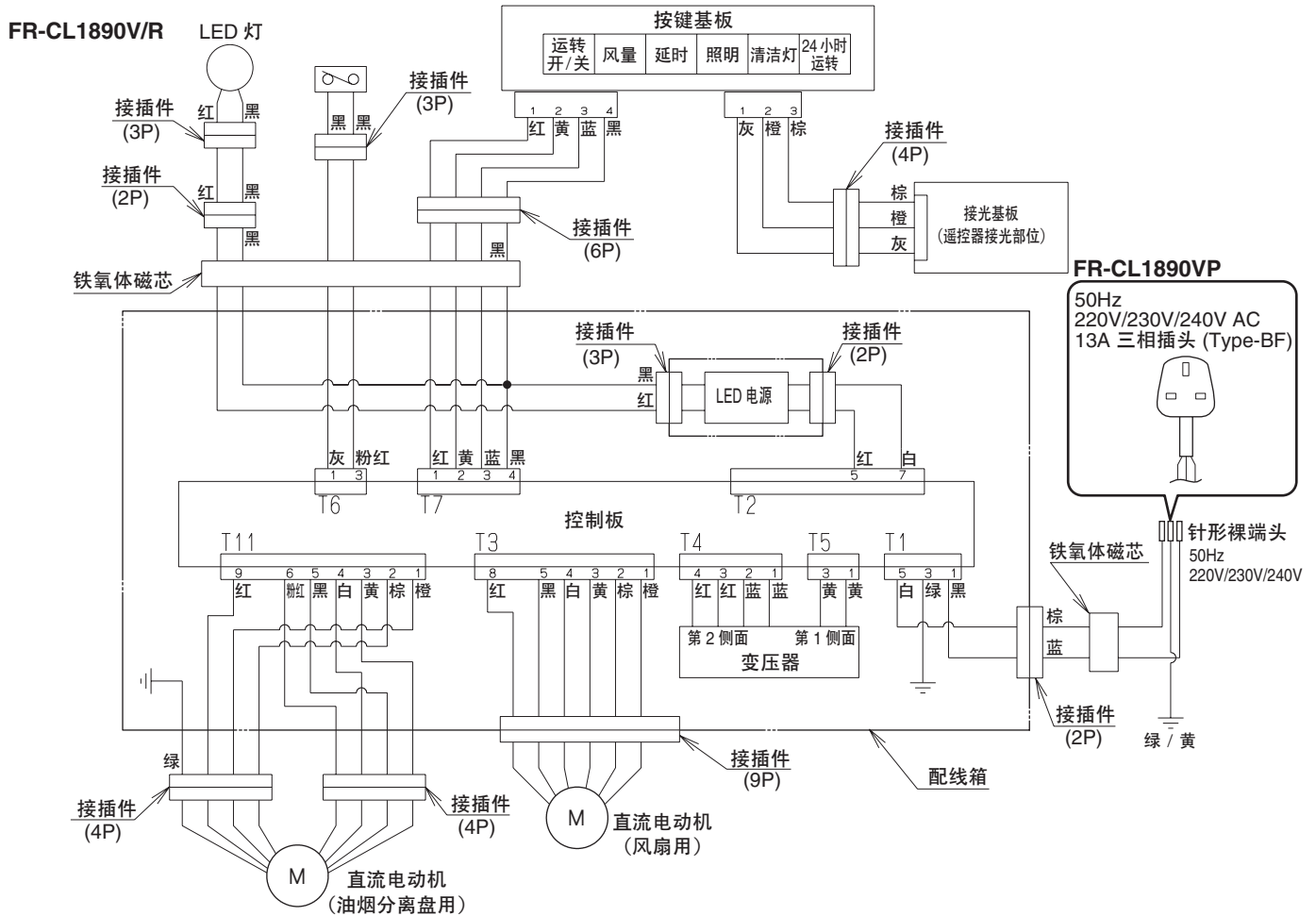
FR-CL1890R (循环型)

| 额定电压 (V) | 档位 | 额定频率 (Hz) | 消耗功率 (W) | 风量 (m ³ /h) | 噪声 (dB) |
|----------|---------|-----------|----------|------------------------|---------|
| 220 | 加强模式 | 50 | 140 | 520 | 57 |
| | 高档 | | 94 | 420 | 54 |
| | 中档 | | 69 | 380 | 51 |
| | 低档 | | 39 | 300 | 44 |
| | 24 小时运转 | | 25 | 250 | 40 |
| 230 | 加强模式 | 50 | 150 | 535 | 57 |
| | 高档 | | 94 | 420 | 54 |
| | 中档 | | 69 | 380 | 51 |
| | 低档 | | 39 | 300 | 44 |
| | 24 小时运转 | | 25 | 250 | 40 |
| 240 | 加强模式 | 50 | 160 | 550 | 57 |
| | 高档 | | 94 | 420 | 54 |
| | 中档 | | 69 | 380 | 51 |
| | 低档 | | 39 | 300 | 44 |
| | 24 小时运转 | | 25 | 250 | 40 |

准
备

电路图

准
备
安
装



■ 安装

安装前的准备和检查

⚠ 注意

1. 安装吸油烟机时应小心谨慎，以免接触建筑物的金属部件（墙壁等构件内部的金属网）。
2. 切勿将吸油烟机的机身埋于墙壁之中，否则会造成机身漏电。
3. 吸油烟机排出的气体不应排到用于排出燃烧煤气或其他燃料的烟雾使用的热烟道中（该条不用于把气体排回室内的吸油烟机）。
4. 煤气灶上蒸煮器具的支撑面与吸油烟机最低部分之间的最小距离。当吸油烟机位于煤气用具上方时，到吸油烟机下端的距离应保持在 750 mm 以上。
如果煤气灶的安装说明书规定有较大的间距，则必须将其考虑在内。
5. 使用宽度小于吸油烟机的煤气灶。
6. 避免使用规格发生变动的吸油烟机，例如，改换按钮。
7. 请勿将吸油烟机安装在潮湿的地方或潮湿的房间中，否则会造成电击或损害。
8. 请勿将吸油烟机安装在环境温度超过 40℃ 的地方，否则会造成故障。
9. 安装吸油烟机时，要戴好工作手套，以免伤及双手。
10. 如果电源线受损，必须由制造商、服务机构或同等资格的人员予以更换，以免造成危险。

检查安装表面的强度

安装表面必须有足够的强度来支撑吸油烟机。应将吸油烟机安装在能够牢固持久地支撑其重量的位置。
(重量：28.0kg (FR-CL1890V/VP) , 31.0kg (FR-CL1890R))

■在板墙上安装

- 如果墙壁的厚度超过 20 mm，可直接在墙壁上安装吸油烟机。
- 如果墙壁的厚度小于 20 mm，应埋入增强板，再将吸油烟机安装于此板上。

电源插头

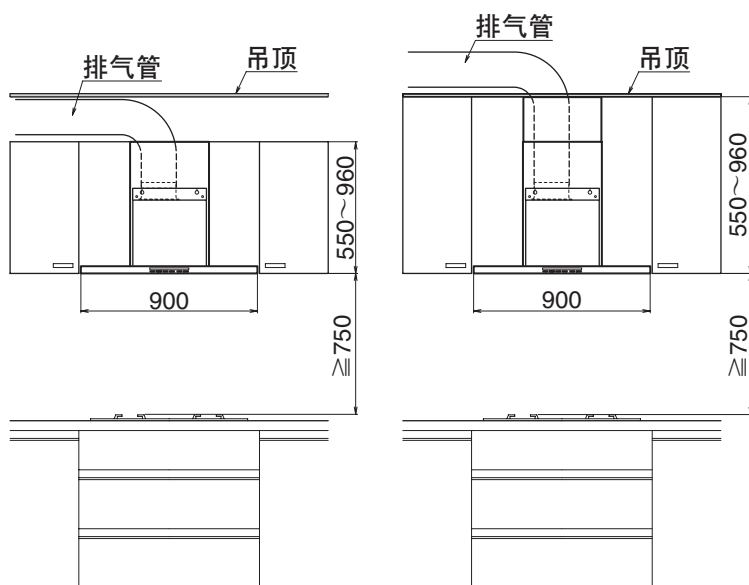
- 本产品不包括电源插头。请有资格的技术人员接好电源插头与电源线。(仅限 FR-CL1890V/R)
- 务必使用吸油烟机专用的墙壁插座。

检查附件

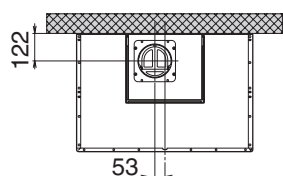
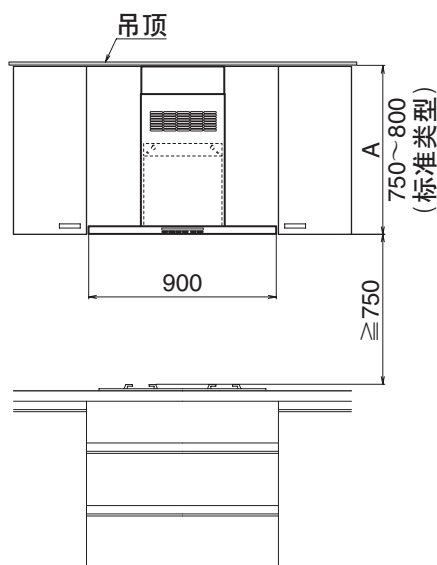
从包装盒中取出主机和附件（排气口、排气管盖等），检查附件是否短缺。

确认安装位置 (单位：mm)

■排气型



■循环型

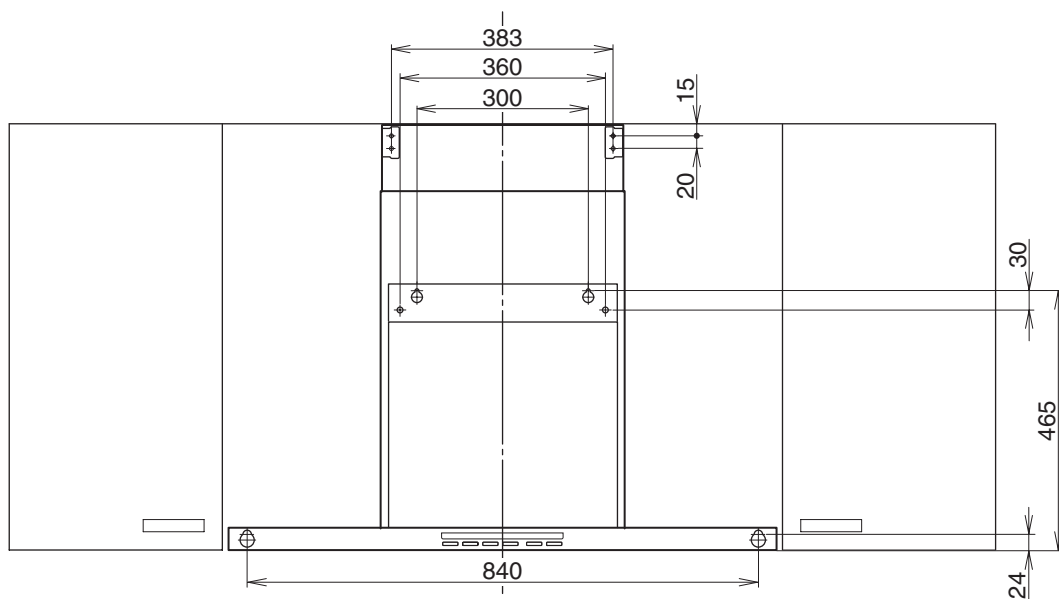
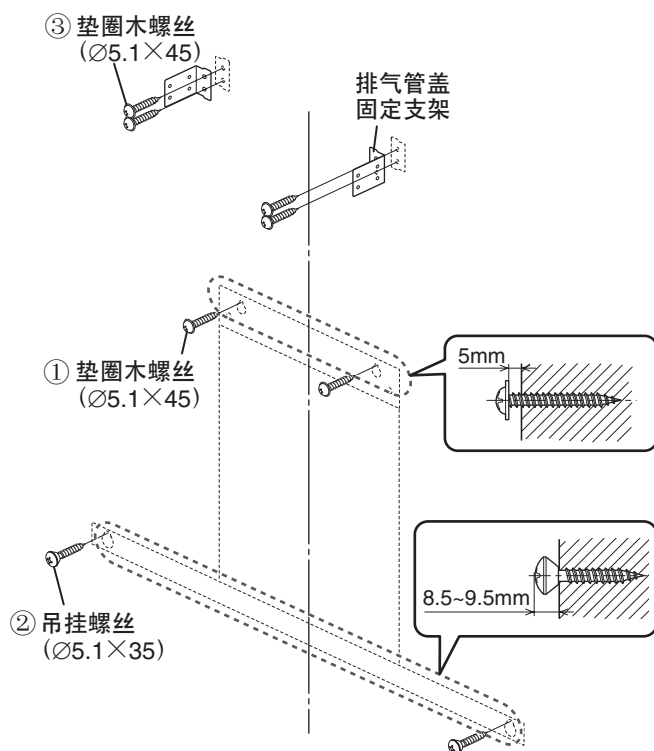


外观图

| | A |
|---------------|---------|
| FR-CL18-DCT85 | 800~850 |
| FR-CL18-DCT90 | 850~900 |

安装吸油烟机

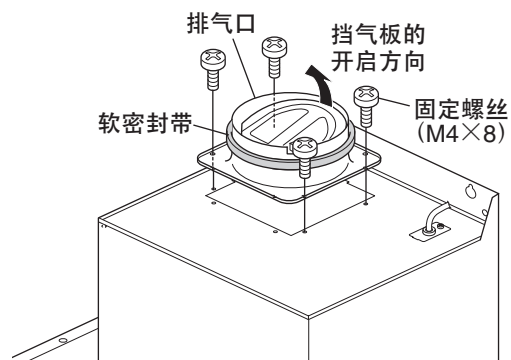
- 1) 参照下图，固定用螺栓孔位置 (①)
拧进垫圈木螺丝 ($\text{Ø}5.1 \times 45$) 2 个、
拧至距离墙面 5mm 缝隙。
- 2) 固定用螺栓孔位置 (②)
拧进吊挂螺丝 ($\text{Ø}5.1 \times 35$) 2 个、牢固拧紧。
- * 吊挂螺丝拧至不要嵌入墙面的程度。
如果嵌入墙面有可能不可安装吸油烟机。
- 3) 排气管盖固定支架配件安装位置 (③)
拧进排气管盖固定支架配件垫圈木螺丝 ($\text{Ø}5.1 \times 45$) 各 2 个。
- * 请一边注意对准吸油烟机中心一边安装。



■ 排气型

在循环型时，请参照第 12 页。

- 1) 安装排气口附属的软密封带，以固定螺丝 (M4×8) 4 个固定。

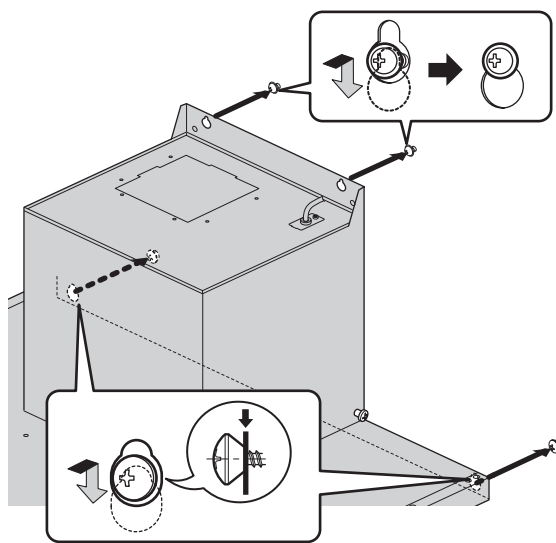


注意

安装排气口时，应注意挡气板的开启方向。如果安装有误，可能会造成排气不畅、异常噪音等。

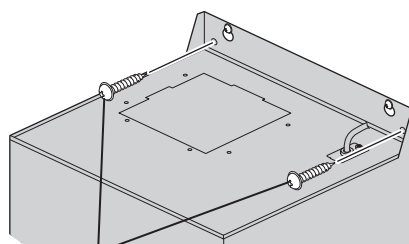


- 2) 安装的垫圈木螺丝 / 吊挂螺丝处分别挂在机体背面的固定用螺栓孔内。



- 3) 将垫圈木螺丝 2 个牢固拧紧，在固定用螺栓孔下面 2 处的 $\phi 9$ 孔内牢固拧紧垫圈木螺丝 ($\text{Ø}5.1 \times 45$) 2 个，固定机体。

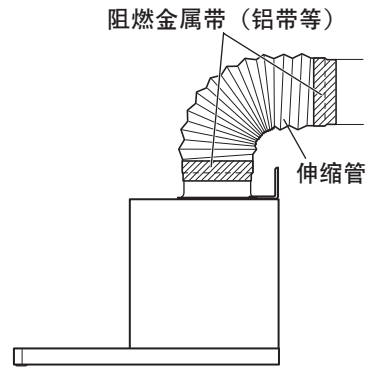
* 安装完成后，请再次确认机体确实挂牢。



垫圈木螺丝
($\text{Ø}5.1 \times 45$)

安 装

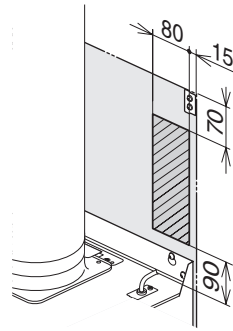
- 4) 连接 150 伸缩管等到排气口。
用阻燃密封带、如铝带等（不提供）密封保证排气口的安全。



- 5) 请确保断电器的开关在“关”的位置，
其后将电源插入插座中。

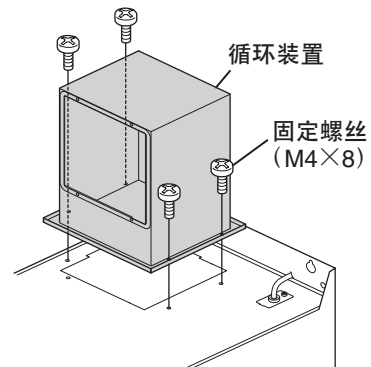
注意

当您插入电源插头，请务必关掉配电盘的断路器。

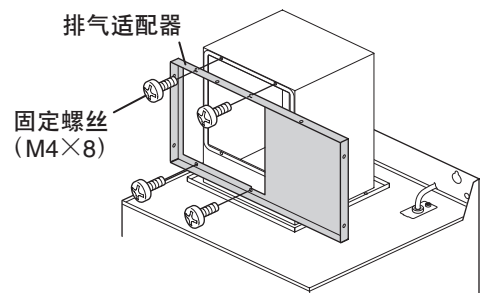


循环型

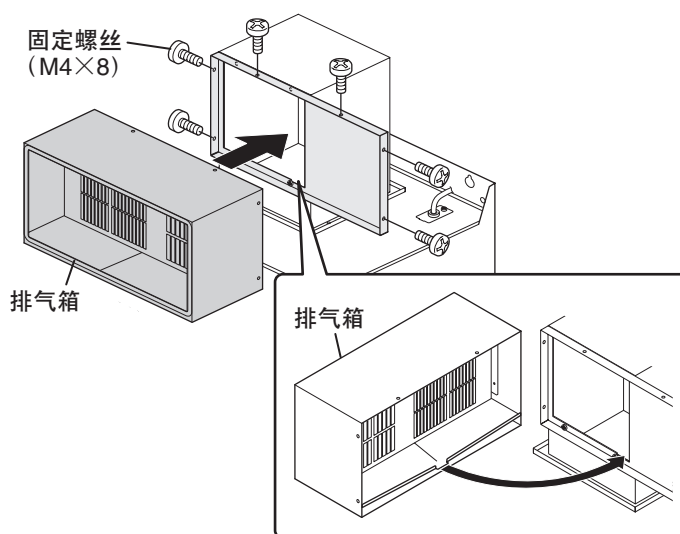
- 1) 用附件固定螺丝（M4×8）4 个将循环装置安
装于主机体顶的上面。



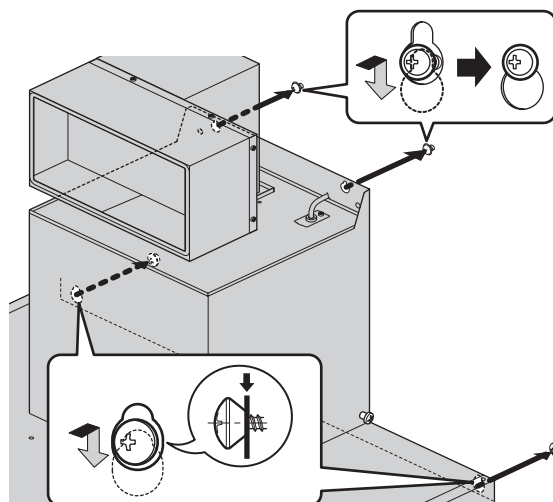
- 2) 用附件固定螺丝（M4×8）4 个将排气适配器
安装与循环装置的前面。



- 3) 用附件固定螺丝 (M4×8) 6 个将排气箱安装于排气适配器。

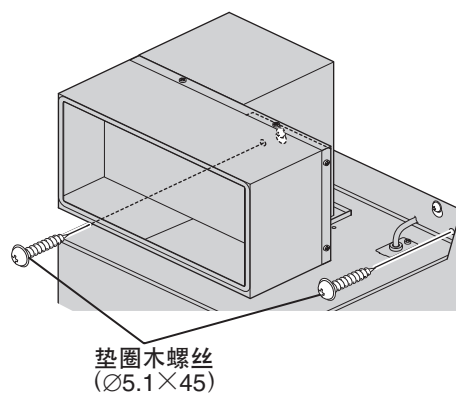


- 4) 安装的垫圈木螺丝 / 吊挂螺丝处分别挂在机体背面的固定用螺栓孔内。



- 5) 将垫圈木螺丝 2 个牢固拧紧，在固定用螺栓孔下面 2 处的 $\phi 9$ 孔内牢固拧紧垫圈木螺丝 ($\text{Ø}5.1 \times 45$) 2 个、固定机体。

* 安装完成后，请再次确认机体确实挂牢。



安装排气管盖

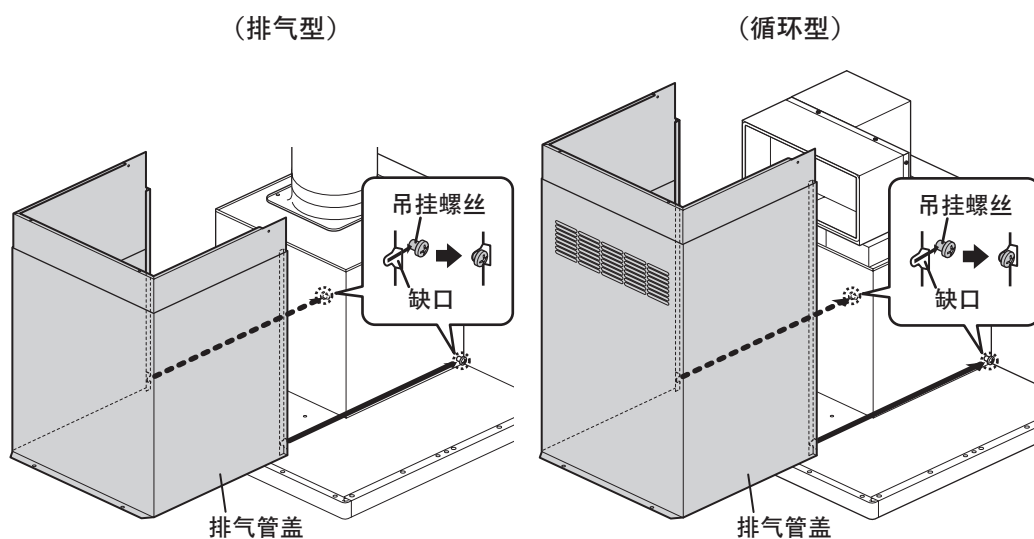
* 使用另售的排气管盖时

废弃与产品同包装的排气管盖，使用另售的排气管盖。
此时因使用产品同包装的平头螺丝及排气管盖吊挂螺丝等附属品，请勿扔掉。

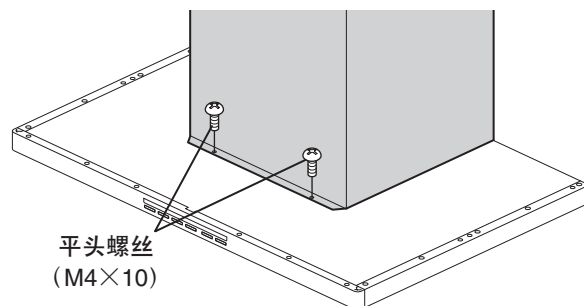
安 装

- 1) 将排气管盖从吸油烟机前侧滑动、遮盖机体，排气管盖后端下侧的缺口（左右2处）挂在机体的吊挂螺丝上。

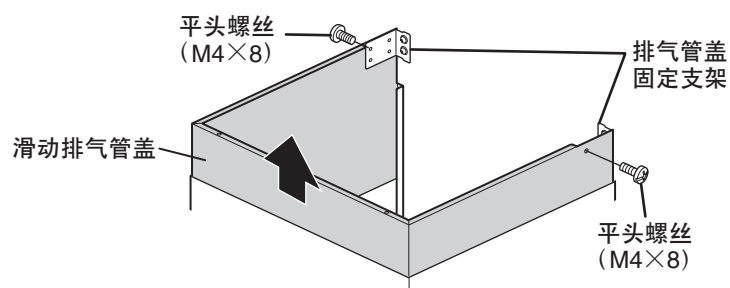
* 安装时注意不要损伤本产品。



- 2) 以平头螺丝（M4×10）2个将排气管盖前侧下部固定在机体上。

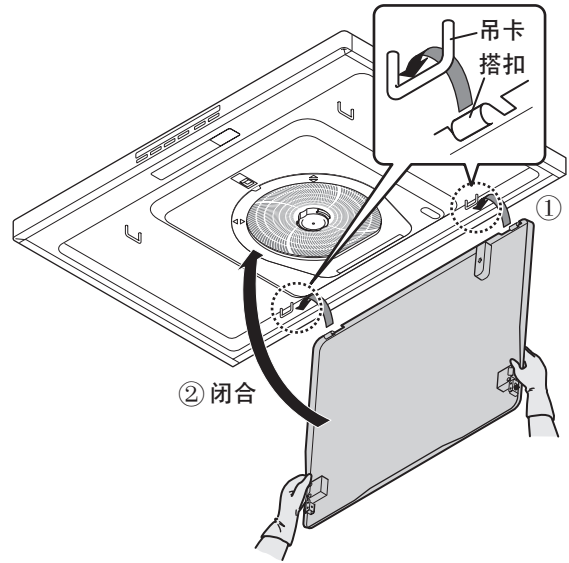


- 3) 将排气管盖内侧滑动部拉伸至吊顶，以平头螺丝（M4×8）2个将其固定在排气管盖固定支架上。



安装整流板

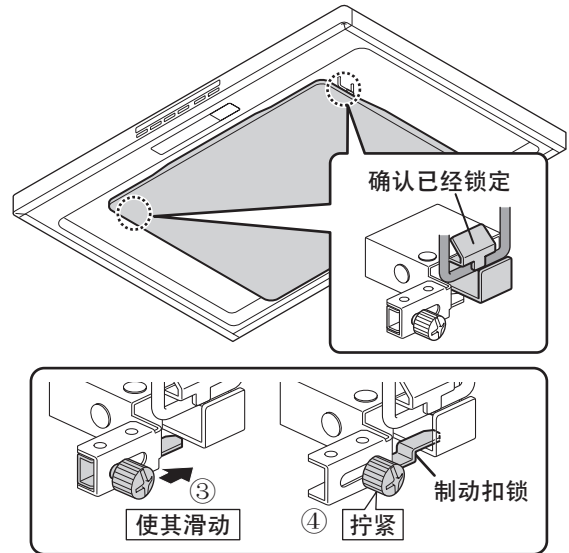
- 1) 将整流板后端的左右挂扣部确实吊挂在吸油烟机的吊环部 (①)。
- 2) 双手一边撑住整流板, 一边向上举起前端直到发出“咔嚓”声, 将其固定 (②)。
安装后, 上下拉动一下整流板, 确认其不会脱落。



- 3) 松动制动扣锁螺钉到可前后滑动的程度 (③), 使制动扣锁滑动至后端底部、拧紧螺钉 (④)。

注意

为避免因锁定不足而引发的固件脱落, 请务必保证整流板被坚实固定。



运行检查

将配电盘拨至“开”的位置, 进行试运行。如何操作按键与确认运转状态请参考第 16, 17 页。

- 本吸油烟机运转时, 各档风扇是否正常工作。
- 是否发出异常噪音及异常振动。

电源

把电源插头插入墙上的插座 (220V/230V/240V AC)。

操作

操作按键

操作

运转开 / 关按键

※ 风扇处于停止状态时，LED 灯点亮。（待机状态）

● 运转

LED 灯点亮时，按下此键后，吸油烟机按照上次停止时的风量开始运转。（橙色灯熄灭）

● 停止运转

运转状态时按下此键后，吸油烟机会即刻停止运转，设定为 24 小时运转时则切换至 24 小时运转。（橙色灯熄灭）

● 按键锁定

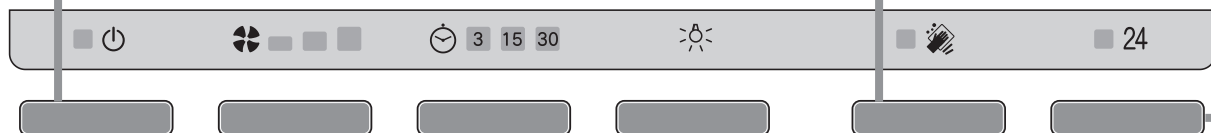
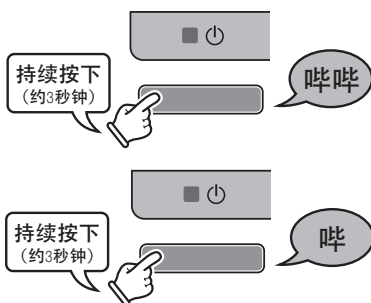
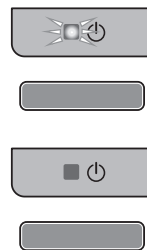
持续按下此键（约 3 秒钟），关闭全部操作功能，锁定操作按键。锁定状态时运转开 / 关灯和延时的 15 分钟显示灯交互闪烁。

● 解除锁定

锁定状态时持续按下按键（约 3 秒钟），锁定解除、恢复常态。
※ 解锁后请根据需要重新对各种功能进行操作。

锁定状态下…

按下按键、发出“哔哔”的警告声，风量灯闪烁。不接受操作按键的指示。



风量按键

● 调节风量

运转状态时按下按键后，风量切换（相应的绿灯点亮）。

● 以加强模式运转

运转状态时持续按下风量按键（约 2 秒钟），变为加强模式。变为加强模式后，以大于【强】档的强风量进行 5 分钟的计时运转，5 分钟后回到之前设定的风量运转。

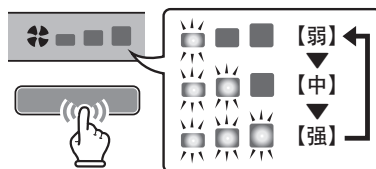
※ 关于加强模式状态的延时设定

加强模式状态如果按下延时按键，设定计时时间为“3 分钟”时，加强模式 3 分钟后结束、运转停止。如果设定为“15 分钟”或“30 分钟”时，以加强模式运转 5 分钟后，返回加强模式切换前的风量，运转剩余的时间。

例) 从风量“弱”档切换为加强模式，计时时间设为“15 分钟”时

加强模式 → (5 分钟后) **以风量“弱”档运转** → (10 分钟后) **运转停止**

※ 想中途结束加强模式，按下风量按键切换为其他风量或以运转开 / 关按键停止运转。

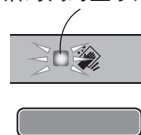


清洁灯按键

达到设定的清洁时间后，清洁灯显示、提醒（参照第 18 页）。

如果清洁灯点亮，请清洁多孔过滤网，集油圈及风扇等部件（“清洁”（参照 25 页））。

到清洁时间时显示灯点亮



●熄灭清洁灯

清洁灯点亮时，运转停止状态按下按键后灯熄，清洁时间从头重新计时。

请清洁后按此按键。

●清洁时间从头重新计时

清洁灯熄灭时，运转停止状态持续按下按键（约 3 秒钟），

清洁时间从头重新计时。

请在提醒前（灯亮前）清洁完成后进行。

注意

灯亮时间过早或过迟时，请更改清洁时间设定（参照第 18, 19 页）。

24 小时运转按键

本功能是以小于低档的风量进行连续运转的模式。

●设定 24 小时运转

运转停止状态按下按键后，设定为 24 小时运转（橙色灯点亮）。

设定时，运转停止状态时（运转按键“关”后、计时运转后、防止忘记关闭延时计时后）以微弱风量运转。



24小时运转
设定“ON”



24小时运转
设定“OFF”

●解除 24 小时运转

运转停止状态持续按下按键（约 3 秒钟），24 小时运转停止（橙色灯熄灭）。

照明按键

● LED 照明灯点亮 / 熄灭

按下按键照明灯点亮。每次按下按键时点亮 / 熄灭重复。

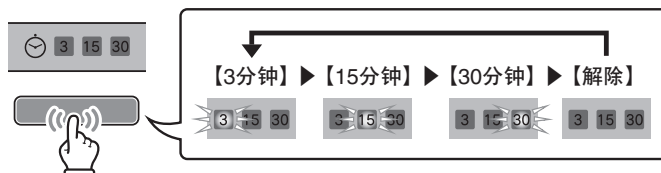
延时按键

运转状态按下延时按键，

切换至上次停止时设定的计时运转。

每次按下按键时设定时间都改变

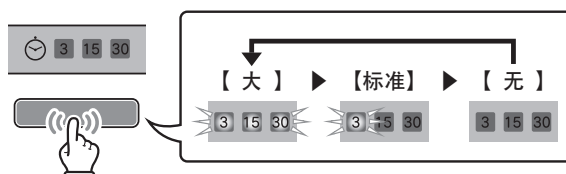
（参照第 19 页）（相应的橙色灯闪烁）。



●调节操作音量

运转停止状态时持续按下按键（约 3 秒钟），

操作音量切换（相应的橙色灯点亮）。



清洁时间显示灯

吸油烟机清洁时间通过清洁显示灯提醒。

如果清洁灯点亮，请清洁油烟分离盘、集油圈等部件（参照第 25 页）。

清洁完毕，请按下清洁灯按键、熄灯（参照第 17 页）。

* 清洁灯显示时间初期设定为【标准】，可参考“设定基准”更改与吸油烟机的使用频度相符的设定。

设定基准

| 每天的使用时间 | 设定 | 设定时间 | 点灯时间 |
|----------|------|---------|------------|
| 1 小时左右 | 【最短】 | 60 小时 | 大概 60 天后点灯 |
| 1.5 小时左右 | 【短】 | 90 小时 | |
| 2 小时左右 | 【标准】 | 120 小时 | |
| 3 小时左右 | 【长】 | 180 小时 | |
| — | 【解除】 | 清洁灯功能解除 | 不点灯 |

操作

例) 按照【标准】设定每天 1 小时左右运转抽油烟机，约 120 天后清洁灯点亮。

想约 60 天后点亮时，将设定改为【最短】，使其在适当时间点亮。

注意

- 再设定后重新从头开始计算清洁时间。
- 吸油烟机电源插头从插座拔掉也会继续计时。重新从头计时时，请操作清洁灯按键或更改清洁时间设定。
- 运转时间不含 24 小时运转。
- 运转状态（只照明灯亮及 24 小时运转除外）时，通过墙壁按键 / 电源插头 / 断路器等切断电源，计时时间会产生误差。
- 灯亮时间过早或过迟时，请更改清洁时间设定。

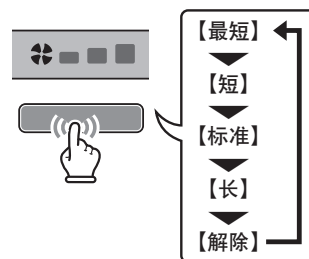
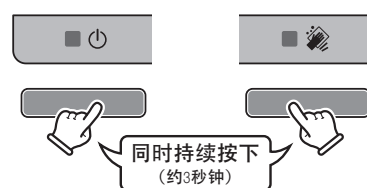
显示时间的设定方法

1) 按下运转开 / 关按键，停止运转。

* 24 小时运转状态，不用停止运转即可更改设定。

2) 同时持续按下（约 3 秒钟）运转开 / 关和清洁灯按键设定中清洁灯闪烁。

3) 按下风量按键、更改设定。
每次按下按键、设定都会切换。



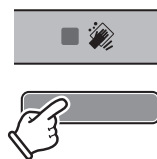
| 设定 | 显示灯 |
|------|---------|
| 【最短】 | ☀️ ■ ■ |
| 【短】 | ☀️ ☀️ ■ |
| 【标准】 | ■ ☀️ ■ |
| 【长】 | ■ ■ ☀️ |
| 【解除】 | ■ ■ ■ |

* 设定中如果连续 10 秒钟未进行任何操作，设定取消，回到设定更改前的状态。如果更改设定请再次重新设定。

4) 按下清洁灯按键。

设定完成，清洁时间的计时开始。

* 设定中如果按下运转开 / 关按键，设定更改取消，回到原设定状态。



计时运转

运转状态中设定计时运转，持续运转至设定时间后，自动停止运转。

设定 24 小时运转时，切换至 24 小时运转。

因为要捕集 / 排放烹饪后的气味儿，请烹饪后使用。

计时时间可选择 3 分钟、15 分钟、30 分钟。

防止忘记关闭机体的计时功能

本吸油烟机在停止操作 5 小时后会自动停止运作、关闭照明。

设定为 24 小时运转时，切换至 24 小时运转。

再次运转时，请按下运转按键。

自动运转停止

为安全起见，本产品¹在运转状态打开整流板时运转停止，并发出“哔哔哔”的警告声。且如果整流板安装状态不正常时，除照明按键以外的所有操作按键被锁定。锁定状态时运转开/关灯和风量灯交替闪烁。

整流板处于打开状态下…

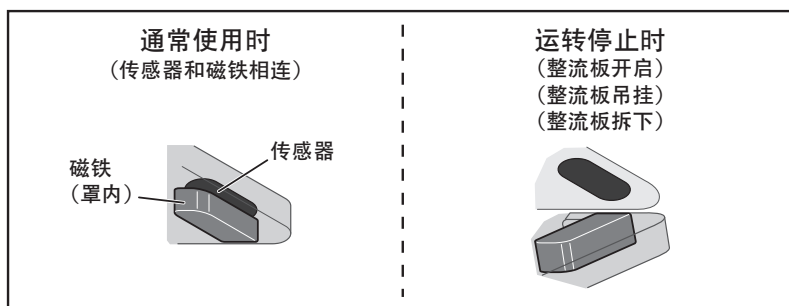
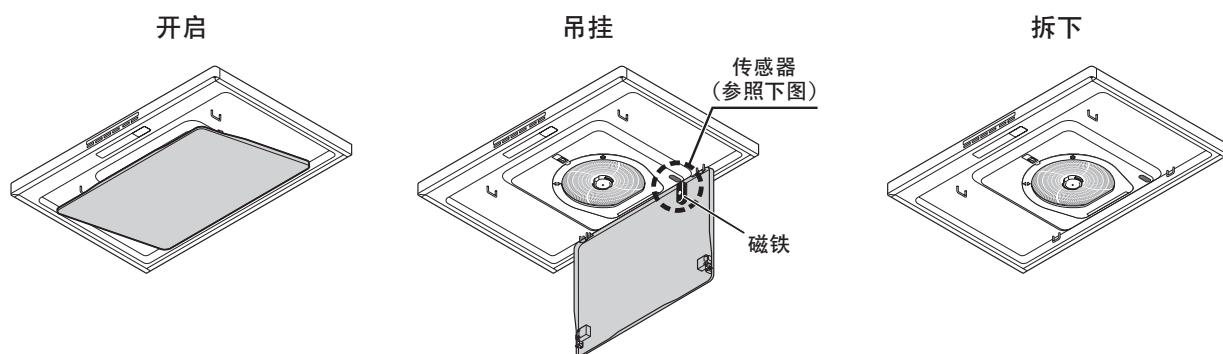
按下照明按键以外的操作按键，发出“哔哔哔”的警告声，延时显示灯闪烁。不接受操作按键的指示。

* 整流板处于打开状态或拆下状态时吸油烟机不可运转。

操作

运转停止状态和其结构原理

整流板后端的传感器监视整流板的开关状态。以下状态时吸油烟机运转停止。



注意

请不要拆下整流板的磁铁。另外请不要将其他磁铁及磁性物体等靠近传感器。

重新运转

① 正确安装整流板

请参照 24 页。

② 重新操作各种功能

安装好整流板后，

请根据需要重新对各种功能进行操作。

注意


- 整流板安装不稳妥时吸油烟机不可运转。
- 安装整流板后运转重新开始、风扇转动。安装时请注意。

关于清洁时间

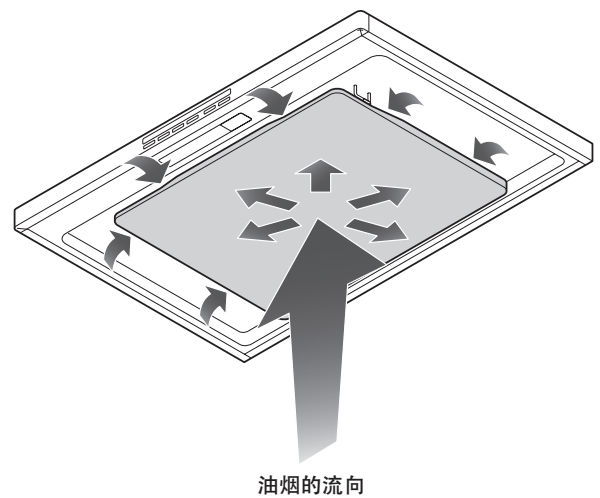
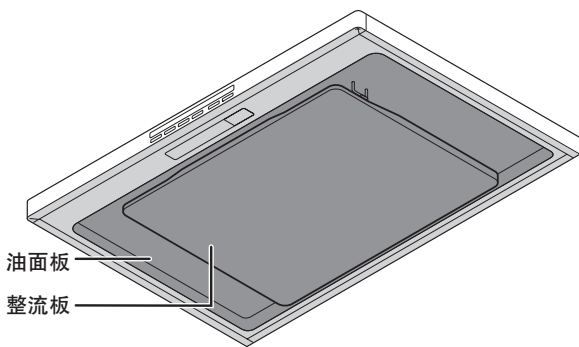
吸油烟机是捕集 / 排放烹饪中油烟的装置，部分油烟会沾附在吸油烟机上（油面板、整流板等）。油沾附的状态下如果长期使用，氧化的油会导致涂装面变质、涂装脱落。尽早清洁可简单地去除油污，防止涂装面劣化。

- 清洁时间的基准大约为 2 个月左右。另外如果操作部的“清洁灯”点灯，即请清洁。
 - * “清洁灯”的点灯时间，可按照吸油烟机的使用频度进行更改设定（参照第 18 ~ 19 页）。
- 油污沾附严重时，请在清洁灯点灯前进行清洁。

关于日常清洁

- 一旦使用吸油烟机，油就会沾附，特别是  色部位（油面板、整流板）容易沾附。日常清洁方法，将浸有中性洗涤剂的海绵及擦布拧干，用其擦拭。洗净后，请使用湿布仔细擦净以避免洗涤剂的残留（参照第 25 页）。

- 油为什么会沾附？
烹饪时产生的油烟如下图箭号所示先流到整流板，然后通过缝隙进入机体内。此时油的细小颗粒与整流板及吸油烟机的各部位相碰，沾附其上。



■ 保养与维护

由于吸油烟机很容易脏污，因此应经常清洁吸油烟机（尤其是油烟分离盘，应至少2个月清洁一次。对于每天做两顿饭以上的家庭而言，应至少每月清洁一次油烟分离盘）。

如果吸油烟机长时间不清洁，将会积聚大量油污，形成很难去除的油脂硬块。

集油圈、吸油烟机四周、整流板如果污染时，请每次及时清洗。（清洗标准：约2个月一次）

维护注意事项

- 清洁吸油烟机前，务必从插座上拔下电源插头，或关闭断路器。
- 为安全起见，清洁油烟分离盘等部件时，应始终戴好橡胶手套。
- 尤其应小心，防止将水泼到电动机、开关、接插件之类的电气部件上。请勿在电气部件上喷洒任何类型的洗涤溶液。否则会造成故障。
- 请勿用诸如稀释剂之类的溶剂、汽油、抛光粉等清洁油漆表面、护面板等，否则会使这些部分失去光泽或造成刮痕。
- 请勿用硬毛刷之类的物品擦洗各部件，否则会使部件受损。
- 如果不按照说明书规定方法清洗，吸油烟机有起火的危险。

保养
与
维
护

分离要清洗部件

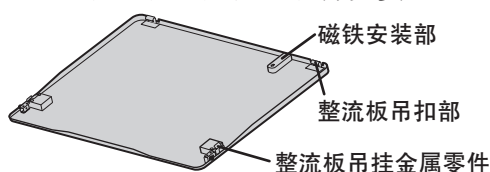
请按照与拆卸时相反的步骤对各个零部件进行安装。

卸下整流板

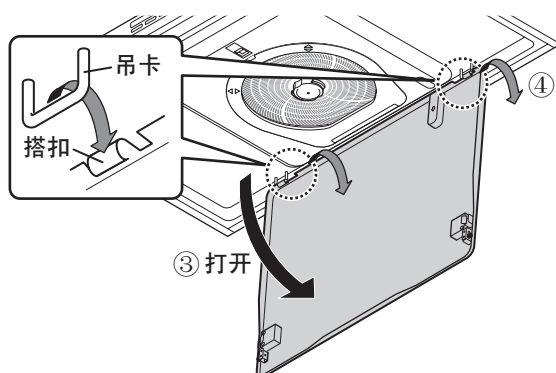
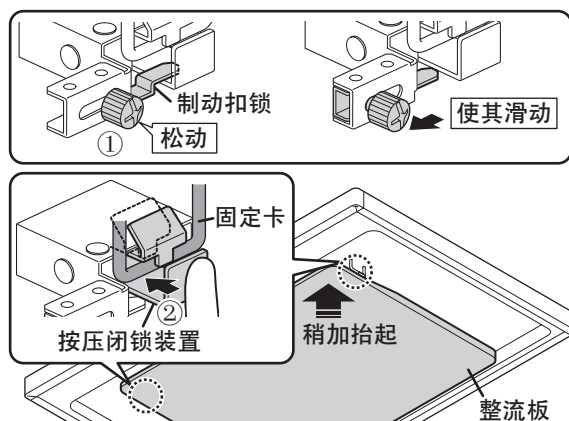
- 1) 松动固定制动扣锁的2处螺钉到制动扣锁可前后滑动的程度（①）。
 - 2) 用双手撑住整流板，稍微向上推压、按压整流板左右处的制动扣，卸下（②）。
 - 3) 用双手撑住整流板，同时慢慢地将其卸下（③）。
 - 4) 在右下图所示位置举起整流板后端，从吸油烟机吊环部卸下（④）。
- * 请一定同时卸下左右2处。否则会造成金属零件变形。

注意


- 卸下时整流板上有可能有油积存，请注意油质滴落。
 - 清洁整流板时，注意不要使整流板吊扣部、磁铁安装部及整流板吊挂金属零件变形。
- 如果变形，可能导致整流板不能再次安装。

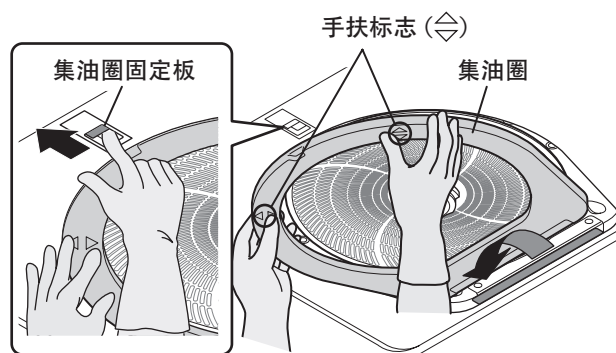


- 请勿卸下整流板的磁铁。且勿靠近其他磁铁和磁性体等。



卸下集油圈

- 1) 用手一边撑住集油圈手扶标志 () 近处部位, 同时向身体一侧轻拉集油圈固定板, 将集油圈前端从吸油烟机主体卸下。
 - 2) 为不使集油圈内的油、水分洒落, 双手要拿好手扶标志近处部位, 一边注意保持水平状态一边向身体一侧拉动, 从吸油烟机主体卸下。
- * 油烟分离盘收集的油质积存在集油圈内, 但因使用情况不同积存量有所不同。量虽少但并非异常。(集油圈还具有防止油烟分离盘收集的油质飞散功能。)



注意

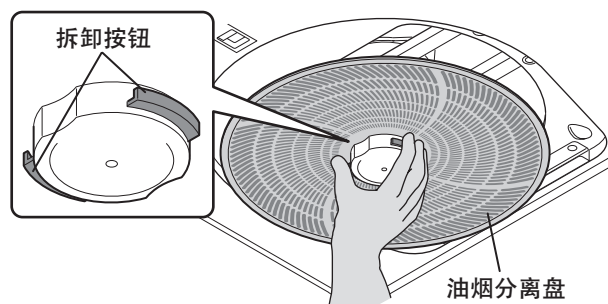
卸下时因集油圈内有时积存油质, 请注意油质滴落。

卸下油烟分离盘

一边按下油烟分离盘中央的拆卸按钮, 一边向下将其拉出。

注意

请勿掉落油烟分离盘以免使其变形。(否则会导致噪音及振动。)



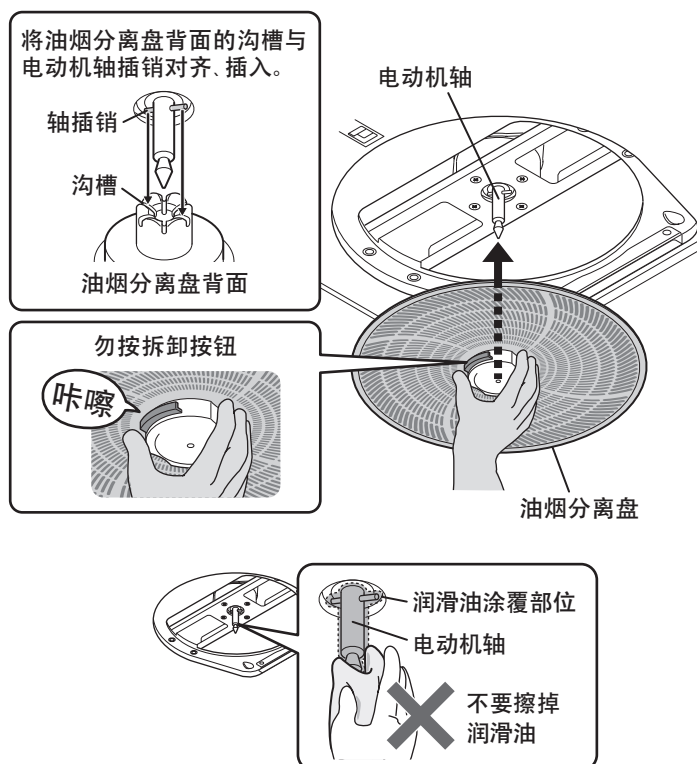
安装油烟分离盘

拿好油烟分离盘不要按下拆卸按钮, 将其背面的沟槽插入电动机轴, 向上推压直到听见“咔嚓”声。

安装后, 稍微拉动一下油烟分离盘确认其不会脱落。

注意

- 请彻底固定好油烟分离盘。安装不彻底会导致脱落。
- 清洗时要充分擦除油烟分离盘的电动机轴插入部的水分, 使之干燥后再安装。
- 请勿擦除电动机轴上附有的润滑油。可防止电动机轴生锈。



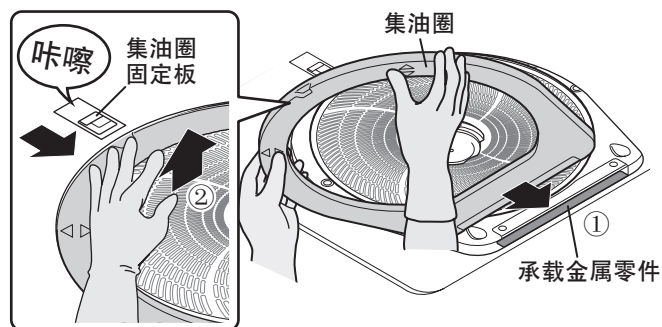
安装集油圈

用双手一边撑住集油圈、一边将其插入后端的承载金属零件 (①)，向上推压前端、安装 (②)。

* 将前端向上插入、直到集油圈固定板发出“咔嚓”声，牢靠固定。

注意

请彻底固定好集油圈。
安装不彻底会导致脱落。



安装整流板

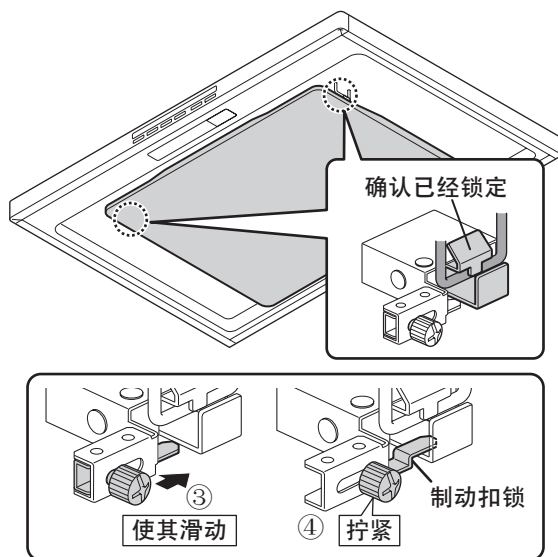
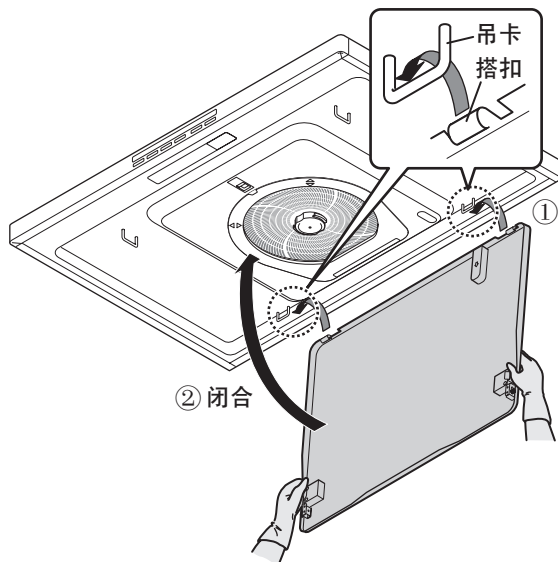
1) 将整流板后端的左右挂扣部确实吊挂在吸油烟机的吊环部 (①)。

2) 双手一边撑住整流板、一边向上举起前端直到发出“咔嚓”声、将其固定 (②)。
安装后，上下拉动一下整流板，确认其不会脱落。

3) 松动制动扣锁螺钉到可前后滑动的程度 (③)，
使制动扣锁滑动至后端底部、拧紧螺钉 (④)。

注意

为避免因锁定不足而引发的固件脱落，请务必保证整流板被坚实固定。



清洁

油烟分离盘

(如果有油污即请清洁。基准：2个月1次左右)

预先将油烟分离盘浸泡在水中，用柔软的海绵等沿着油烟分离盘网眼进行水洗。
油污严重时，请使用中性洗涤剂清洗。

如果网眼堵塞放任不管，会导致换气不良、异声/振动发生。

注意

- 清洗时要充分擦除油烟分离盘的电动机轴插入部的水分，使之干燥后再安装。
- 请勿擦除电动机轴上附有的润滑油。可防止电动机轴生锈。



中性洗涤剂



集油圈

(如果有油污即请清洁。基准：2个月1次左右)

将其浸泡在含中性洗涤剂的温水中，边用表面柔软的海绵等进行清洗。
清除油污后，为避免洗涤剂的残留进行水洗、仔细擦净水分后再安装。

* 油污积存在集油圈内，但因使用情况不同积存量而不同。量虽少并非异常。

注意

- 请勿将集油圈放入洗碗干燥机。有可能因涂膜老化导致涂层脱落。
- * 金属刷及硬毛刷等的硬物会导致清洁表面划痕，请勿使用。
- * 如果使用碱性洗涤剂，有可能导致表面变色。



中性洗涤剂

整流板

(如果有油污即请清洁。)

用浸泡过含中性洗涤剂温水的柔软海绵、软布等擦除后，
为避免洗涤剂的残留用湿布仔细擦净。

注意

- 有时背面油污堆积严重，此时将整流板浸泡在含中性洗涤剂的温水中，油污比较容易脱落后再擦除。
- 请务必将整流板从吸油烟机主体卸下后再进行清洁。否则会导致脱落/变形。
- 请将卸下的整流板置于平面进行清洁。否则会导致变形/划痕。
- 使用整流板时，请勿磕碰、卸下磁铁。有可能导致自动运转停止功能不工作。
- * 金属刷及硬毛刷等的硬物会导致清洁表面划痕，请勿使用。
- * 如果使用碱性洗涤剂，有可能导致表面变色。



中性洗涤剂

吸油烟机、油面板

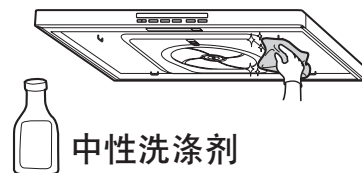
(如果有油污即请清洁。)

用浸泡过含中性洗涤剂温水的柔软海绵、软布等擦除后，
为避免洗涤剂的残留用湿布仔细擦净。

特别是吸油烟机下端部位油污更易粘附，请仔细擦除。

注意

- * 金属刷及硬毛刷等的硬物会导致清洁表面划痕，请勿使用。
- * 如果使用碱性洗涤剂，有可能导致表面变色。



中性洗涤剂

其他信息

诊断故障

在请求修理服务之前，请再次确认是否有以下情况。

| 故障现象 | 故障原因 | 处理 |
|---|---|---|
| <ul style="list-style-type: none">● 即使接通电源开关、油烟分离盘 / 风扇 / 照明的电源也不接通。● 油烟分离盘 / 风扇不转动。 | <ol style="list-style-type: none">1. 配电盘的制动器置为“关”。2. 电源插头被拔掉。3. 处于锁定状态。4. 整流板处于开启或未安装的状态。 | <ol style="list-style-type: none">1. 将配电盘的制动器置为“开”。2. 插入电源插头。3. 解除锁定。(参考第 16 页)4. 正确安装整流板。(参考第 20, 24 页) |
| <ul style="list-style-type: none">● 照明不亮。 | <ol style="list-style-type: none">1. 处于锁定状态。2. 接插件接触不良或接插件松开。 | <ol style="list-style-type: none">1. 解除锁定。2. 请求修理。 |
| <ul style="list-style-type: none">● 指示灯闪烁。● 按下操作按钮时警告音就会响起。 | <ol style="list-style-type: none">1. 处于锁定状态。2. 整流板安装不正确。 | <ol style="list-style-type: none">1. 解除锁定。(参考第 16 页)2. 正确安装整流板。(参考第 20, 24 页) |
| <ul style="list-style-type: none">● 集油圈内不积存油污。 | <ol style="list-style-type: none">1. 因用油烹饪的频度及气候不同、油污积存量有所不同。2. 吸油烟机、整流板等粘附油质。(除油烟分离盘外粘附的油质不积存到集油圈。) | <ol style="list-style-type: none">1. 待集油圈内油污积存后再倒掉。(参考第 23 页)2. 如果吸油烟机、整流板有油质粘附即刻擦除。 |
| <ul style="list-style-type: none">● 有异常噪音。 | <ol style="list-style-type: none">1. 空气供给不充分。2. 油烟分离盘安装不彻底。3. 集油圈安装不彻底。4. 受外部风力影响，排烟道窗口有时发出吧嗒吧嗒声，并非异常。5. 减速 / 低速运转时，偶尔从油烟分离盘发出制动器的减速声，并非异常。6. 吸油烟机启动 / 停止时电动机偶尔发出声音，是控制电动机的转动声，并非异常。 | <ol style="list-style-type: none">1. 保证气源充足，打开窗户或空气供给口。2. 重新安装油烟分离盘。(参考第 23 页)3. 重新安装集油圈。(参考第 24 页) |
| <ul style="list-style-type: none">● 吸力不足。● 运行噪音过大。 | <ol style="list-style-type: none">1. 油烟分离盘已经脏了。2. 空气供给不充足。3. 被空调和窗户的风吹到。4. 排气管出口被堵塞。 | <ol style="list-style-type: none">1. 清洗油烟分离盘。2. 打开窗户、空气供给口，保证气源充足。3. 防止被风吹到。4. 请求修理。 |

修理与保修

申请维修：

在操作过程中如果发生异常，应立即关掉吸油烟机进行检查：

- 1) 保险丝是否熔断了？
- 2) 电源插头与插座的连接是否正确？

若确认不是上述问题，请立即拔下电源插头，与当初购买本机时的销售商联系。
与销售商联系时，需说明产品型号及购买日期。



- 本型号机停止生产后仍可提供维修所需性能部件的最低保证期为 5 年。

性能部件是指维持吸油烟机正常使用功能所必需的基本部件。

对于相同类型可互换部件的提供保证期可再延长 4 年。

在对使用不产生影响的前提下，我们将按照您的要求选用这些部件进行维修。

- 为提高吸油烟机性能，有可能在不预先通知的情况下进行产品部件的更新。

全球网站

www.fujioh.com

FUJIOH INTERNATIONAL TRADING PTE.LTD.

东南亚地区总部

130 Joo Seng Road #05-05 Singapore 368357

Tel : (65) 6286 3286 Fax : (65) 6285 3285

E-mail : fit@fujioh.com.sg