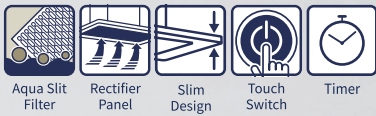


HOOD/ FR-MS1990



3 COOKER HOOD
LIMITED WARRANTY*
YEARS

When Functionality meets Style

機能性と、美しさの共存。

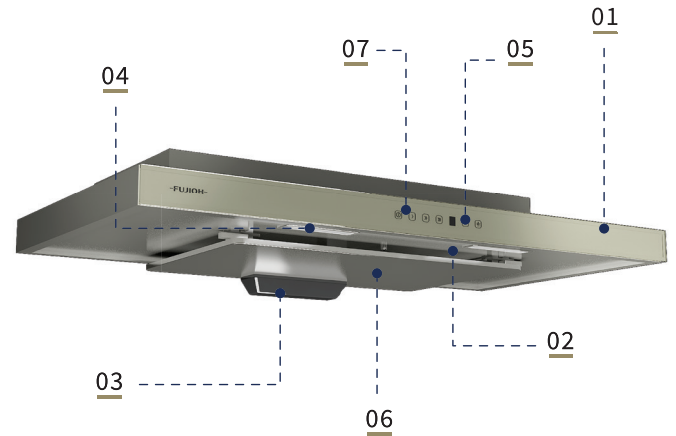
With its sleek design, this ultra slim hood not only beautifies and creates a posh look for your kitchen. It value adds with its functionality and features to enhance your pre-and-post cooking experience allowing you to be the chef of your dreams.

Coated with a hydrophilic coating, cleaning after cooking up a storm for your friends and families will be made easy. Topping off with a touch switch which promotes quick and smooth operation with your fingertips, you can be assured of the user friendliness in which you will experience.



-FUJIOH-

ADVANCED FUNCTIONS



01/ Ultra Slim Design with Glossy Glass Panel

02/ Easy Cleaning

Aqua Slit Filter

- Hydrophilic Coating
- The filter can be easily washed with only water



03/ High Oil Capturing Ratio with rectifier panel and oil tray

- Up to 89% oil capturing ratio (recycling type)

04/ Eco LED Lighting

05/ Timer

- 3/6/9 mins timer

06/ Rust Resistant Material

- All stainless parts at exterior are SUS304

07/ Safety Feature

- Auto stop after 5 hours of non-stop operation period

*3 years warranty for motor • 1 year warranty for other parts
Warranty Terms and Conditions apply

COLORS



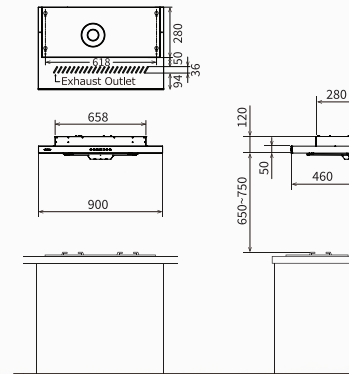
GBK/ Glass Black



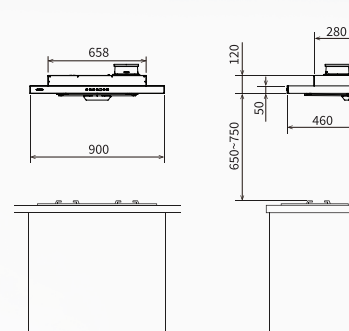
GCM/ Glass Champagne Metallic

*Product images are for illustrative purposes only and may differ from the actual product. Exhaust outlet cannot be covered.

INSTALLATIONS



FR-MS1990R (Recycling) [mm]



FR-MS1990V (Ventilating) [mm]

SPECIFICATIONS

Type	FR-MS1990R (RECYCLING)	FR-MS1990V (VENTILATING)
Dimensions [mm]	W900 x D460 x H120	
Weight [kg]	10.6	10.3
Power Consumption [W] (220/230/240V)	141/148/163	218/233/255
Voltage [V/Hz]	220, 230, 240/50	
Duct Diameter [mm]	-	Φ150
Air Flow [m ³ /h] (220/230/240V)	245/260/275	400/420/435
Sound Level [dB] (220/230/240V)	53/55/56	57/58/59
Oil Capturing Ratio [%]	89	86
Switch	Touch Switch	
Speed	3 Speeds	
Timer	3/6/9 mins	
Hood Body	SUS304	
Rectifier Panel	SUS304	
Filter	Aqua Slit Filter (Hydrophilic Coating)	
Lighting	LED 1.5W x 2	

*All specification are based on stringent in-house test results conducted in Fuji Industrial Co. Ltd, Japan

