

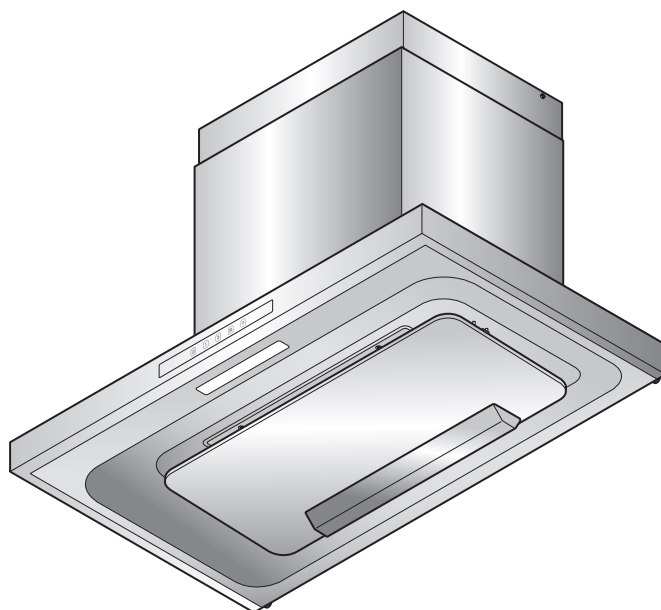
**-FUJIOH-**

# Cooker Hood

MADE IN  
**JAPAN**  
日本製

**FR-ST2190VP  
FR-ST2190VP-15**

**Installation/Operation Manual**



English page 1~20

简体中文 21 ~ 40 页

繁體中文 41 ~ 60 頁

## TABLE OF CONTENTS

Safety Precautions .....	2~4	Maintenance .....	13~15
Precautions on Use.....	4	Precautions for Maintenance.....	13
Preparation .....	5~7	Detaching/Attaching of Parts	
Name of Parts.....	5	to be Cleaned.....	13~15
Switch .....	6~7	Cleaning.....	15
Installation .....	8~12	Other Information.....	16~18
Preparation and Check		Specifications.....	16
before Installation.....	8~9	Circuit Diagram .....	17
Installing the cooker hood....	10~12	Service and Warranty.....	18
Operation Check.....	12		

To the sales shop/installer:  
After installation, please  
provide this Manual to the  
user without fail.

Thank you very much for purchasing our cooker hood.

**Please read this Manual thoroughly before installing/operating the  
cooker hood.**

Keep this Manual properly for future reference after reading.

1F02 2783



\* 1 F 0 2 2 7 8 3 \*

# Safety Precautions

- Read the following Safety Precautions before installation and operation, and use the cooker hood properly and securely.
- These Safety Precautions are for correct operation of the product, preventing any harm or damage to yourself or others. These Safety Precautions are classified into 2 categories ("WARNING" and "CAUTION") depending on their hazard and severity. Please pay attention and strictly observe these Safety Precautions as they are crucial to safety.

 **WARNING**

Alerts possible risk of **serious injury**, if not observed.

 **CAUTION**

Alerts possible risk of **injury** or **physical damage**, if not observed.

## WARNING



Less than 4 burners

- **The cooker hood is intended to be installed over a hob with up to four hob elements or burners.**



Disassembly, repair, or modification prohibited

- **Never attempt to disassemble, repair or modify.**  
Always seek help from a qualified technician. Otherwise, there may be fire, electric shock or abnormal conditions.



Prohibitions on Use

- **Do not use in regions where the power voltage exceeds 220V/230V/240V AC.**  
Otherwise, there may be fire hazards or electric shock.



Caution during Assembly

- **Electric wiring shall be carried out properly by professional technician or personnel.**  
Incorrect wiring may cause electric leakage or fire hazards.



Caution during Installation

- **Installation work should be performed by a minimum of 2 persons.**  
The weight of the cooker hood is about 31kg.



Caution during Installation

- **Breakers shall be incorporated in the fixed wiring to ensure all-pole disconnection from the main power source.**



Disconnect the power plug

- **Be sure to disconnect the power plug from the outlet, or switch off the breaker during maintenance. Also, never handle the power plug or breaker with wet hands.**  
Otherwise, there may be electric shock or physical injury.



Dust removal

- **The power plug shall be cleaned regularly to prevent dust accumulation.**  
Otherwise, there may be fire hazards or electric shock.



Spraying water prohibited

- **Never spray water on any electric parts.**  
Otherwise, there may be fire hazards or electric shock.



Operation prohibited

- **In case of a gas leak, do not switch on the cooker hood.**  
Otherwise, it may result in a gas explosion.



Attention to ventilation

- **The cooker hood shall be installed at a place with sufficient ventilation.**  
When using a natural exhaust type stove, poor ventilation may result in carbon monoxide poisoning.



Strict implementation

- **The air shall not be discharged into hot flues that are used for discharging fumes generated from burning gas or other fuels (not applicable to cooker hoods that can discharge the air back into the room).**

## WARNING



Attention to adjustment

- **Always perform exhaust adjustments.**



Supervision Required

- **The product is not intended for use by persons (including children) with reduced physical, sensory or mental capabilities, or lack of experience or knowledge, unless they are under the supervision or guidance of a specially assigned person who is responsible for their safety.** Children require extra supervision. Do not let children play with the product.



Attention to ventilation

- **Ensure that there is sufficient ventilation in the room when using the cooker hood with multiple appliances burning gas or other fuels.**



Clean frequently

- **Cleaning that is not carried out in accordance to Safety Precautions may result in a fire hazard.**



BBQ prohibited

- **Never barbecue under the cooker hood.**

## CAUTION



Caution during Installation

- **Install the product in a stable location.** Otherwise, the cooker hood may detach and cause injury or damage.



Disconnect the plug by holding the power plug

- **When disconnecting the power, hold the power plug itself instead of the power cord.** Otherwise, it may result in the damage of the power cord, as well as fire hazards or electric shock.



Disconnect the plug

- **Be sure to disconnect the power plug from the outlet, or switch off the breaker when the cooker hood is idle for a long run.** Otherwise, it may result in the deterioration of the insulation property, as well as fire hazards or electric shock.



Prohibitions on Use

- **Never use the product in a wet place such as bath room (Exhaust fans should be used in a bath room).** Otherwise, it may result in fire hazards or machine failure.



Caution during Assembly

- **Component parts removed while repairing shall be securely assembled.** Otherwise, there may be injury or damage caused by collapse of the cooker hood.



Caution during Assembly

- **Ensure that electric wiring is laid out safely according to the related standard or regulations.** Incorrect wiring may result in fire or electrical shock.



Prohibited from Contact

- **Never touch the fan guard or parts around it while cooking.** Otherwise, it may result in the detachment of the fan guard or parts, and even burns or injury.



Prohibited from Contact

- **During operation, never insert fingers or other objects into the cooker hood.** Otherwise, it may result in the machine failure or physical injury.



Prohibited Operation

- **Switch off the cooker hood immediately if the pan catches fire.** Otherwise, the cooker hood will fuel the fire and create a dangerous situation.



Caution during Installation

- **The distance between the topmost part of cooking appliance and the lowest part of cooker hood, when it is located exactly over the cooking appliance, shall be 650mm to 850mm. If greater distance is specified in the cooking appliance manual, it must be taken into account.**

## CAUTION



Prohibited  
from Placing  
Objects

- **Never put anything on the cooker hood.**  
Otherwise, it may result in fire hazards, machine failure or injury due to detachment.



Wear gloves

- **Always wear gloves during maintenance.**  
Otherwise, the user may be injured by sharp edges or corners.



Replace  
damaged  
power cord

- **If the power cord is damaged, request for a replacement from the manufacturer, its service agent or similarly qualified persons in order to avoid any hazards.**



Prohibitions

- **Do not stare directly at the LED lights when they are turned on.**



Caution

- **Clean the oil tray when the oil level reaches one half of the height to prevent the oil from overflowing or dripping during removal.**



Caution  
during  
Installation

- **Use the mounting bracket and plastic expansion pipes that come with the cooker hood during installation (to concrete walls) for preventing the product from detaching.**



Caution  
during  
Installation

- **In order to prevent the product from detaching, the plastic expansion pipes shall be used with the drill with corresponding specifications to ensure that the connection is as seamless as possible.**



Strict  
implementation

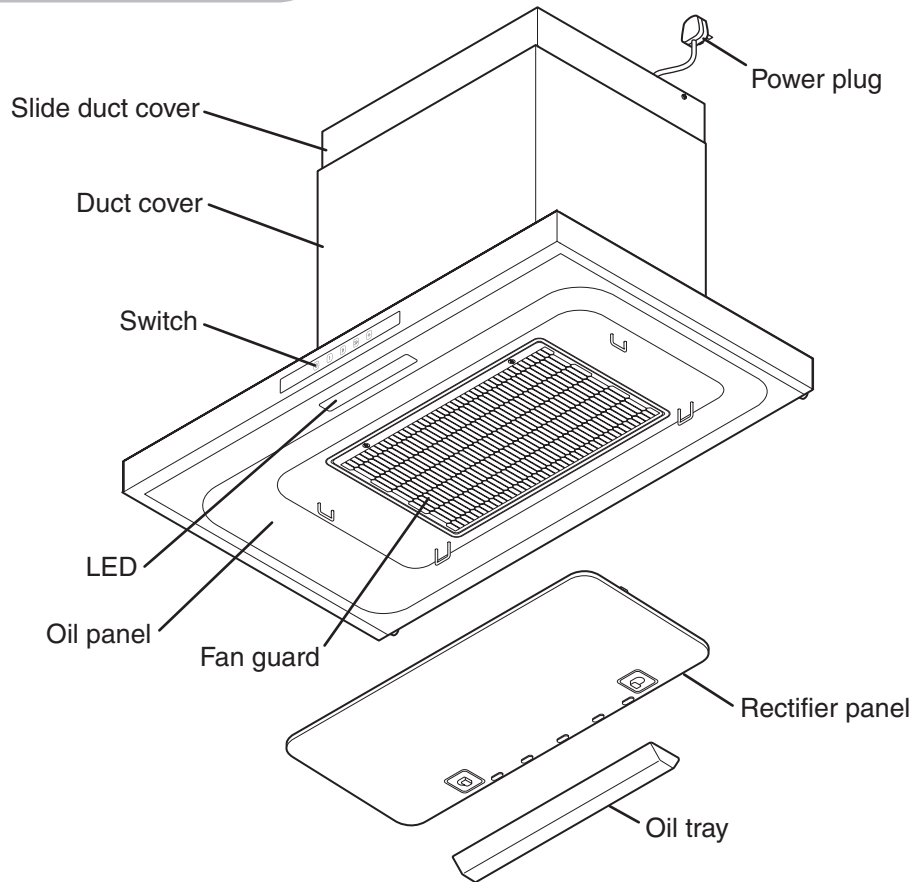
- **Ensure that the exhaust pipe is connected to an outdoor area. To avoid fire hazards and ensure the ventilation of fresh air, waste gas shall be discharged outdoors instead of into walls, attics or garages.**

## Precautions on Use

- **Always turn on the cooker hood when cooking.**  
Otherwise, the cooker hood may be damaged or fail to operate due to the increased temperature.
- **Never use a gas hob without any cooking equipment on it.**  
Otherwise, the high temperature of the body of the cooker hood may result in machine failure.
- **Smoke capturing performance may be deteriorated by cross winds when the induction cooker is used. Additionally, dew may form on the surface of the cooker hood when it is used at low temperature.**  
When this happens, first wipe off the cooker hood before using it.
- **Prevent direct wind from air conditioners.**  
Otherwise, the smoke capturing performance may be reduced by direct wind from an air conditioner.  
The cooker hood is easily affected in open areas, especially when the induction cooker is not generating any ascending air current.
- **Ensure that sufficient ventilation is maintained when operating the cooker hood.**  
Ensure that there are adequate air intake slots on the wall opposite from the cooker hood, or that the door of the room is kept slightly open.  
Otherwise, the smoke capturing performance may be reduced, or there may be abnormal noise, vibration.
- **Ensure that the distance between the water heater and the cooker hood is more than 500mm.**  
As the area surrounding the water heater is at higher temperature, the cooker hood shall be at least 500mm from the water heater.  
Never install the cooker hood above the water heater. Otherwise, the cooker hood may become damaged or fail due to the increased temperature.
- **Never use the cooker hood with its rectifier panel removed.**  
Otherwise, the smoke capturing performance may be reduced.
- **Inoperable cooker hoods shall be processed to ensure that it cannot be used before it is disposed.**

# Preparation

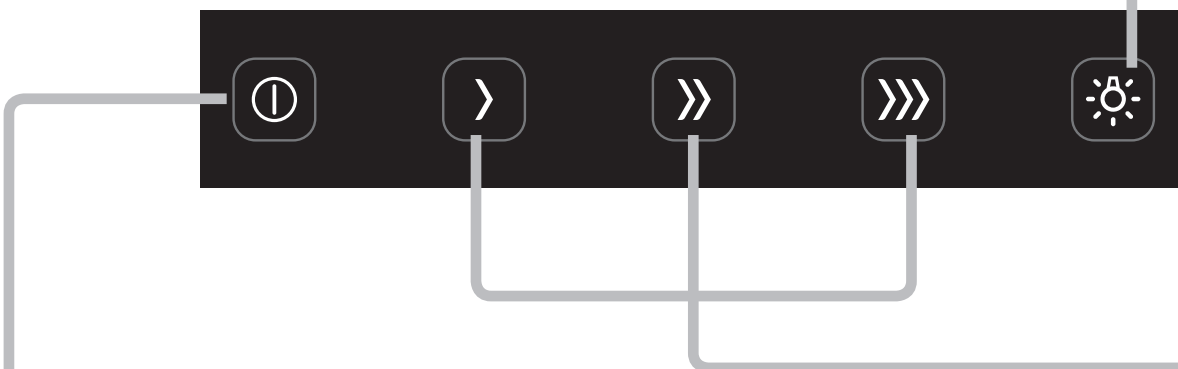
## Name of Parts



## Packing List


Name	Usage	Quantity
Main unit	—	1
Rectifier panel	—	1
Exhaust pipe (diameter $\varnothing$ 180mm)	—	1
Slide duct cover	—	1
Duct cover	—	1
Mounting bracket	Fixed main unit	1
Plastic expansion pipe	Fixed mounting bracket and duct cover fixing bracket	7
Washer-head wood screw ( $\varnothing$ 5.1 $\times$ 45)	Fixed mounting bracket and duct cover fixing bracket	7
Duct cover fixing bracket	Fixed slide duct cover	1
Flat-head screw (M4 $\times$ 8)	Fixed slide duct cover	2
Exhaust port	Connecting the main unit and the exhaust pipe	1
Installation screw (M4 $\times$ 16)	Connecting the main unit and the exhaust port	4
Installation screw ( $\varnothing$ 3 $\times$ 8)	Connecting the exhaust port and the exhaust pipe	2
Oil tray	Collect used oil	1
The following is only applicable to FR-ST2190VP-15		
Duct reducer ( $\varnothing$ 180- $\varnothing$ 150)	Connecting the exhaust pipe and the exhaust hose	1
Soft tape	Sealing the exhaust port and the exhaust pipe	2

# Switch



## ⏻ Off Switch

Press down this switch to immediately turn off the impeller.

\* The lights will still remain ON. Press  to turn them off.



### ■ Switch locking (disable all functions)


#### ● To lock switches




Press  for 3s.

---When the unit “beeps” twice, the switch will be locked.

---When the impeller stops, the lights will turn off.


---  and  flash alternately.

Press any other switches except  in the locking state.

---The unit “beeps” three times. The lights flash at the order of   .

---Both the impeller and the lights turn off.

#### ● To unlock switches

Press  and hold it for 3s until the unit “beeps” again.

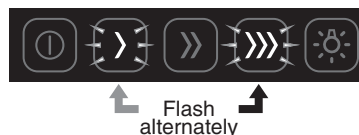
After unlocking, readjusting of the light, operation and airflow switches as required.

\* Always ensure that cooking is complete, and that the cooker hood has cooled down completely before locking.

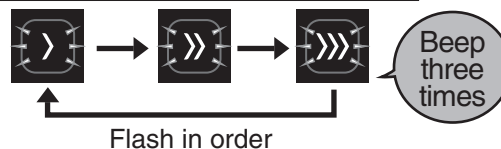
\* The locking state is cancelled in case of power outage or tripping.



It shows the state when switch is locked



When the switch is locked, the unit will display its state when any other button except “OFF” is pressed.




## Light switch


Press this switch to turn on/off the light.




## Operation and airflow switches (low, medium, high)

When pressing down this switch, the switch will light up, and the airflow can be adjusted.


 (Low) ..... For low amount of smoke, or quiet operation.

 (Medium) .... Normal operation.

 (High)..... For high amount of smoke, or rapid ventilation.


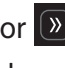

### ● Entering boost mode

Press and hold the switch  (3s) during operation to enter the boost mode.

Automatically return to  (high) after operating for 3min.

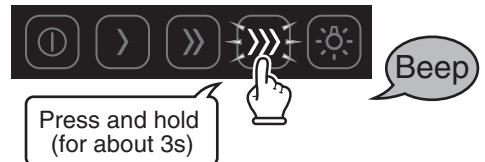
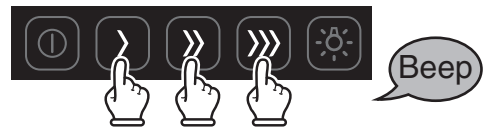
---Light  flashes during boost.

### ● Exiting boost mode

Press any switch (  or  ) or press and hold switch  (for 3s) to exit from boost mode and enter to normal mode.

---Any of the lights    flashes.

\* Press  to exit boost mode operation.



## ■ Setting 3min timer operation

Press the lit up airflow switch during operation to set the 3min timer operation.

---Light  flashes.

Each time when the switch is pressed, the 3min timer operation can be activated and deactivated.

\* Light remains ON.

---The 3min timer operation setting is switched to boost mode 5s before the shutdown of the 3min timer operation.

---Lights   flash.



## ■ Auto Switch Off function to ensure that the operation is stopped

The cooker hood stops operation automatically 5h after the last operation is completed. The lights will also be turned OFF. Press any of the switches    to start it again.

# ■ Installation

## Preparation and Check before Installation

### CAUTION

1. Install the cooker hood carefully and avoid any contact with any metal parts (the metal lattice in the wall or the like) of the building.
2. Never embed the body of the cooker hood in the wall. Otherwise, it may result in the electric leakage of the unit.
3. The air shall not be discharged into hot flues that are used for discharging fumes generated from burning gas or other fuels (Not applicable to cooker hoods that can discharge the air back into the room).
4. The distance between the topmost part of cooking appliance and the lowest part of cooker hood, when it is located exactly over the cooking appliance, shall be 650mm to 850mm. If greater distance is specified in the cooking appliance manual, it must be taken into account.
5. Use a gas hob with a width less than that of the cooker hood.
6. Avoid using the cooker hood with changes in specifications, for instance, with modified switches.
7. Never install the cooker hood in a wet area or in other wet rooms since it may result in electric shock or damage.
8. Never install the cooker hood at a place where the ambient temperature exceeds 40°C, otherwise it may result in machine failure.
9. To protect your hands from injury, please wear working gloves when installing the cooker hood.
10. If the power cord is damaged, it shall be replaced by the manufacturer or its service agent or a similarly qualified person to prevent any hazard.

## Checking mounting surface strength

The mounting surface should have sufficient strength to support the cooker hood. The cooker hood shall be installed on a location that can support the weight of the cooker hood for an extended period of time. (Product weight: 31kg)

### ■ In the case of boarded wall

- If the thickness is more than 20mm, mount the cooker hood directly to the wall.
- If the thickness is less than 20mm, embed a reinforcing board and mount the cooker hood to the board.

### ■ In the case of a concrete/tile faced wall

- Use the plastic expansion pipes that come with the unit.

## Power plug

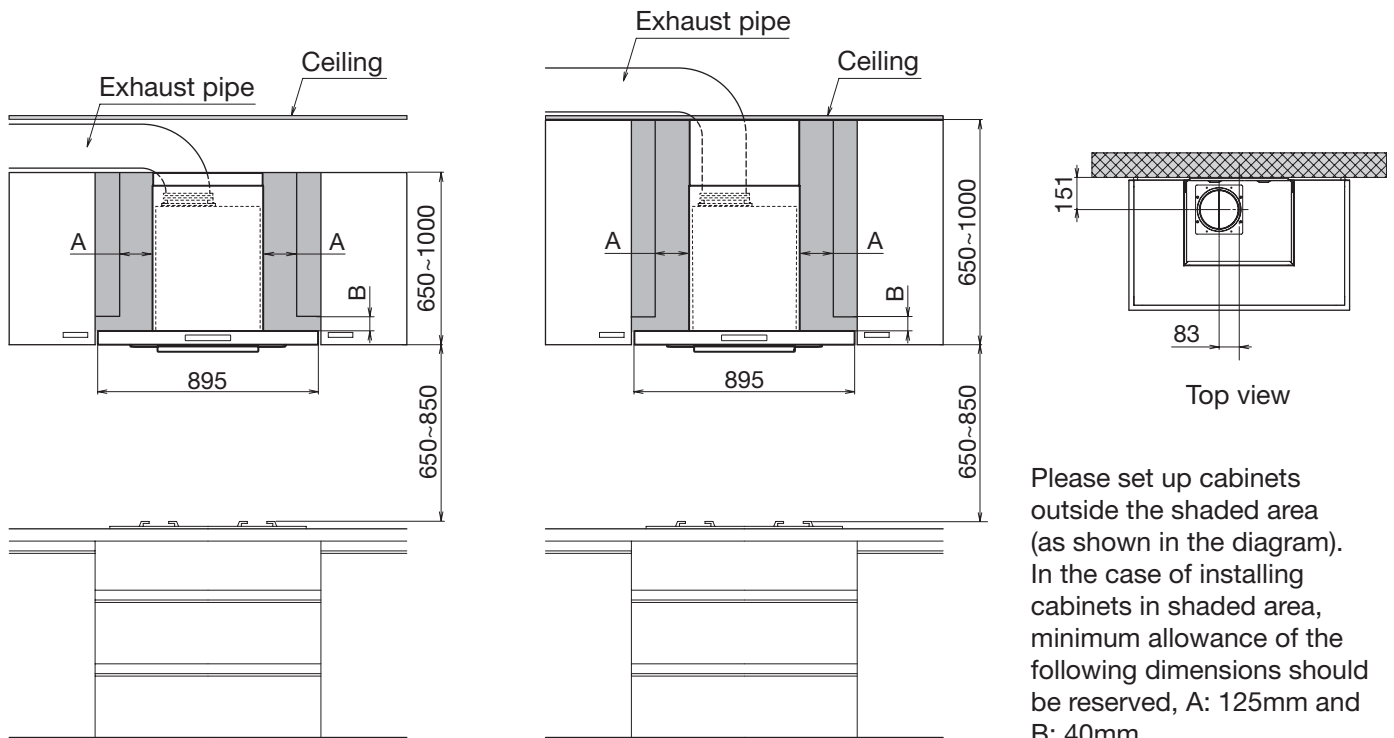
The cooker hood uses a 3-phase power plug.  
Be sure to use the wall outlet specified for the cooker hood.

## Checking Accessory Parts

Take out the main unit and accessory parts (e.g. exhaust port, duct cover) from the packing box, and check if all accessories described in the packing list are available.



## Confirmation of the installation location (Unit: mm)

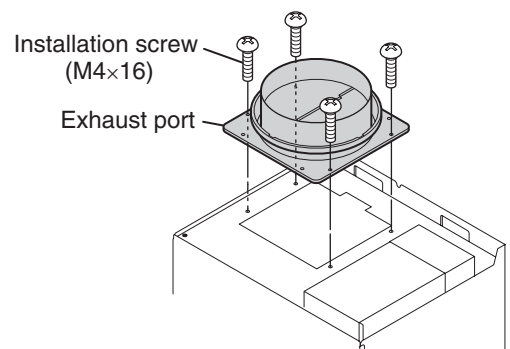


## Attaching exhaust port

Align the exhaust port with the screw hole on the top of the cooker hood and secure with 4 installation screws (M4×16) (See figure on the right).

### Note

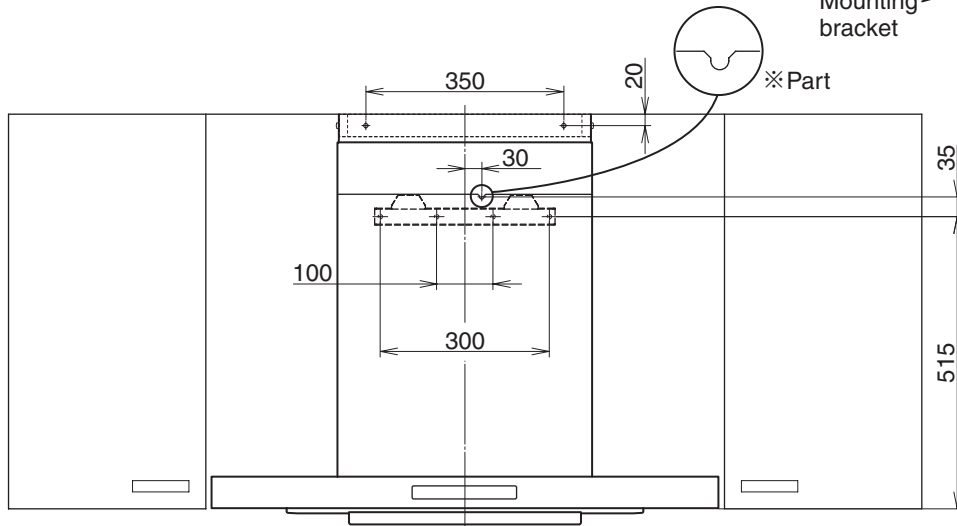
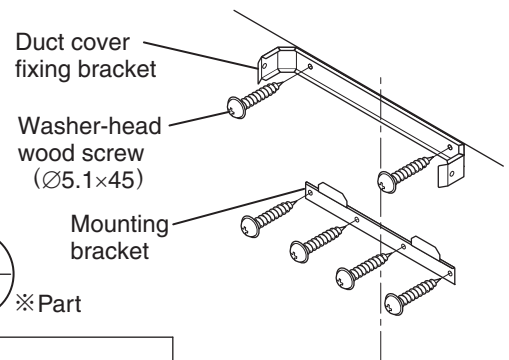
When attaching the exhaust port, pay attention to the shutter opening direction.  
If installed incorrectly, it may result in poor discharge or abnormal noise, etc.



# Installing the cooker hood

1) Secure the mounting bracket and duct cover fixing bracket on the wall with 6 washer-head wood screws ( $\text{Ø}5.1 \times 45$ ) (as shown below).

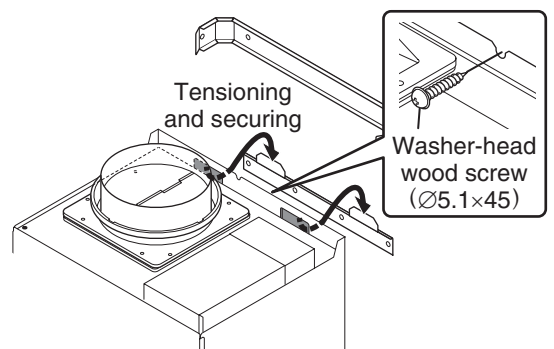
\* When using plastic expansion pipes, use a drill with a  $\text{Ø}8\text{mm}$  bit to drill holes in the wall. The holes shall have a diameter of 8mm and depth over 55mm.



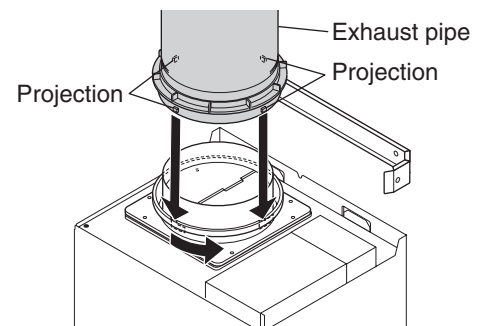
2) Attach the product to the mounting bracket.

3) To prevent the product from disconnecting from the mounting bracket, please secure it with a washer-head wood screw ( $\text{Ø}5.1 \times 45$ ) at the \* part (referring to the figure above).

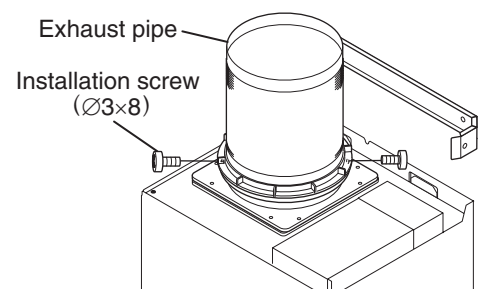
\* When using plastic expansion pipes, secure the product to the wall using washer-head wood screws as mentioned before.



4) Align the 4 projections of the exhaust pipe with the projections of the exhaust port. Insert and slightly rotate counterclockwise.



5) Secure the exhaust port to the exhaust pipe with 2 ( $\text{Ø}3 \times 8$ ) screws.



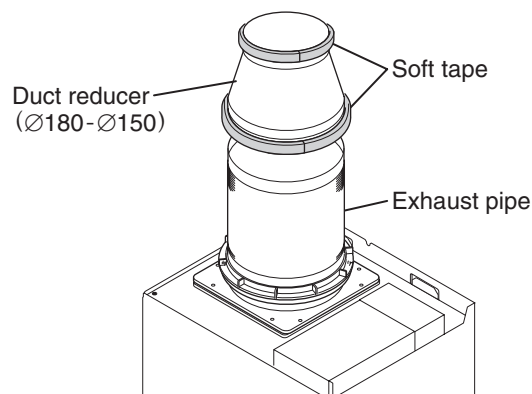
6) Please make sure that the breaker is switched to the "OFF" position before connecting the power plug to the socket.

## Note

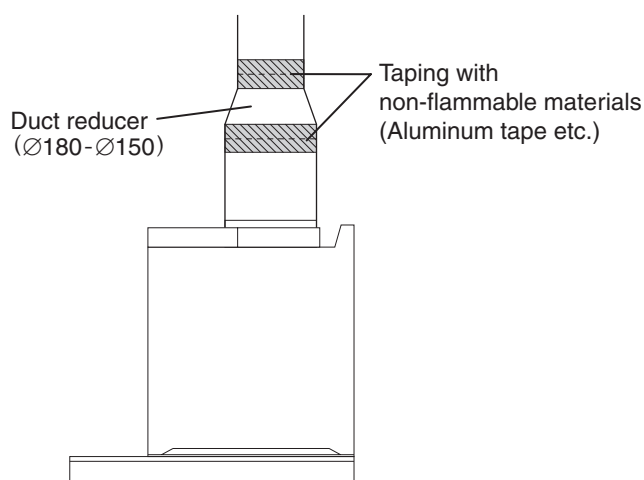
- Please disconnect the breaker on the power distribution panel when inserting the power plug.
- Please shorten the exhaust pipe as far as possible. Ensure that there are no depressions or other kinds of deformation.

## (Only applicable to FR-ST2190VP-15)

1) The upper and lower ends of the duct reducer (Ø180-Ø150) shall be attached with a soft tape and then connected to the exhaust pipe.

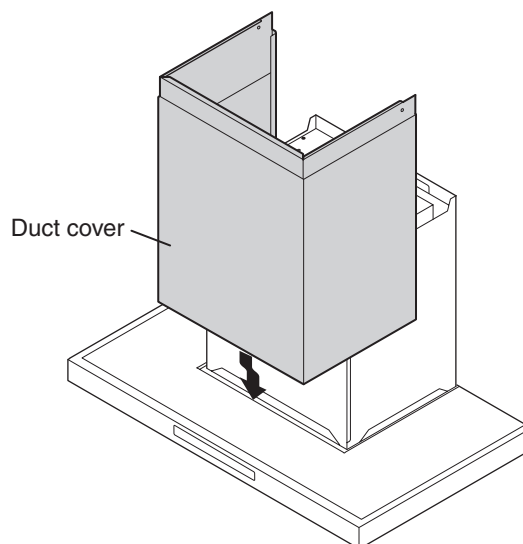


2) Using a non-flammable tape (such as commercially available aluminum tape), the connections between the exhaust opening, duct reducer and exhaust duct shall be joined and sealed together tightly without any gap.

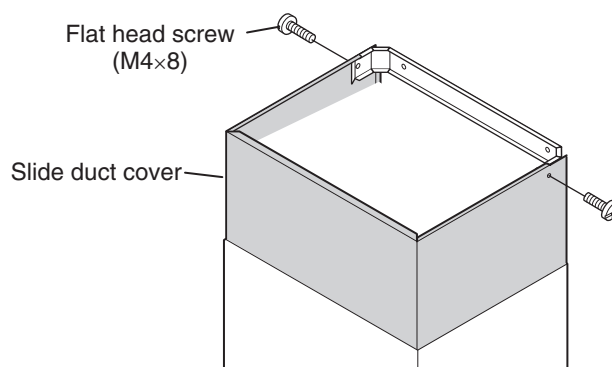


7) Embed the duct cover into the slot on the top of the cooker hood.

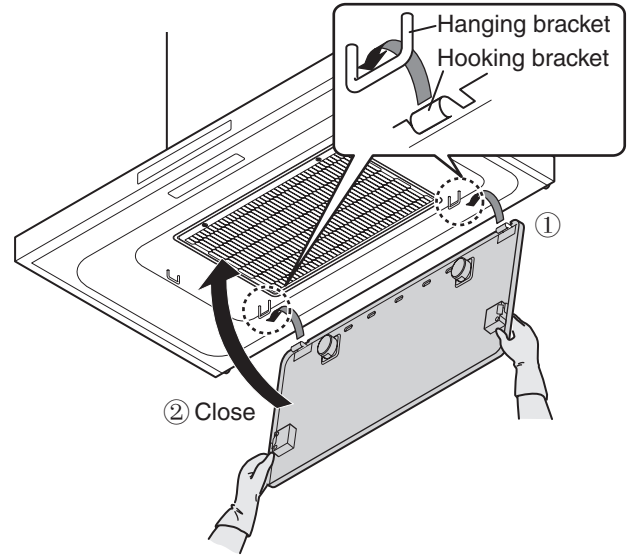
\* Take care not to damage the product during installing.



8) Slide the slide duct cover to the upper position, hang onto the duct cover fixing bracket, and secure with 2 flat head screws (M4×8) laterally.

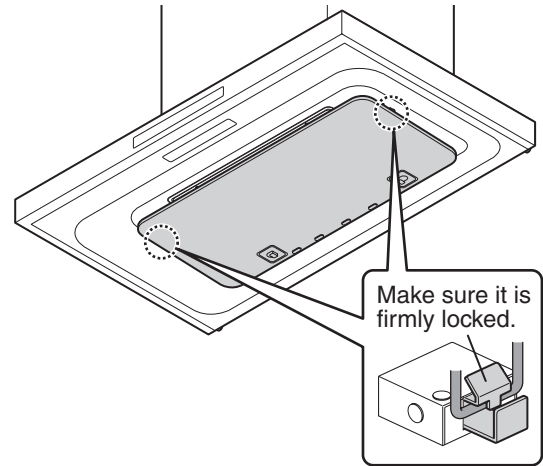


9) Securely hang the left and right hooking bracket at the rear of the rectifier panel on the hanging bracket ( ① ) of the cooker hood.



10) Support the rectifier panel with both hands and lift the front end upwards until a “snap” sound is heard and it is secure ( ② ).

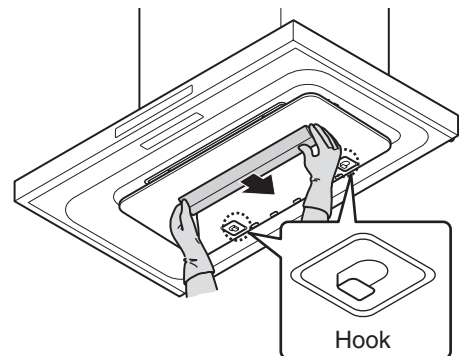
11) After installing, pull the rectifier panel up and down to make sure it will not drop.



**Note**

In order to prevent falling due to insufficient locking, please make sure that the rectifier panel is locked securely.

12) Install the oil tray on the rectifier panel. Align the 2 projections of the oil tray with the installation hooks of the rectifier panel. Insert the projections, slide the tray backward and secure it.



## Operation Check

Move the distributor to “ON” for trial operation. Refer to Page 6 and Page 7 for instructions on switch operation and operation state confirmation.

- Check if the impeller rotates normally at all speeds during operation.
- Check that there are no abnormal noise or vibration.

# Maintenance

Clean the cooker hood frequently as it will become very dirty (Especially, clear the fan guard at least once a month. For a family cooking at least twice a day, clean the fan guard once every two weeks).

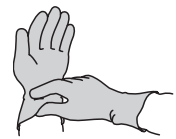
If the cooker hood is left unattended for a long time, a large amount of oil will accumulate and become hardened grease, which is difficult to remove.

Always clean the oil tray, around the cooker hood and the rectifier panel in a timely manner in case of any oil staining (cleaning frequency: about once a month).

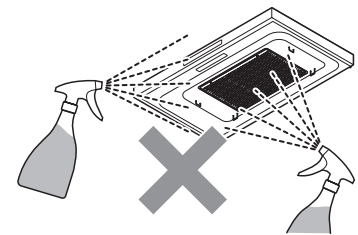
## Precautions for Maintenance

- Before cleaning the cooker hood, be sure to disconnect the power plug from the socket, or turn off the breaker.

- For safety, always wear a pair of rubber gloves while cleaning the fan guard and other parts.



- Especially, take care to ensure that no water is splashed on electric parts such as the motor, switches, connectors or the like. Do not spray any type of detergent to the electric parts. Otherwise, it may cause machine failure.



- Do not apply solvents such as thinner, benzene, polishing powder or the like for cleaning painted surfaces, oil panel and others, since it will tarnish or scratch them.

- Do not wash parts with a hard brush or the like for cleaning, otherwise, parts will be damaged.

- The cooker hood may catch fire if it is not cleaned according to the Manual.

## Detaching/Attaching of Parts to be Cleaned

Install all parts using the opposite procedure as that for removing the parts.

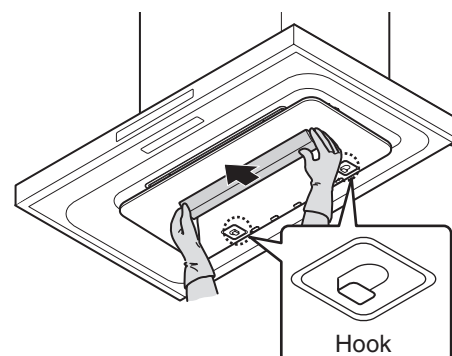
### Detaching the oil tray

Remove the oil tray straight out from the unit hook while keeping it level to prevent the oil from overflowing.

Hang the oil tray on the hook and push it to the deepest part of the unit during installing.

#### Note

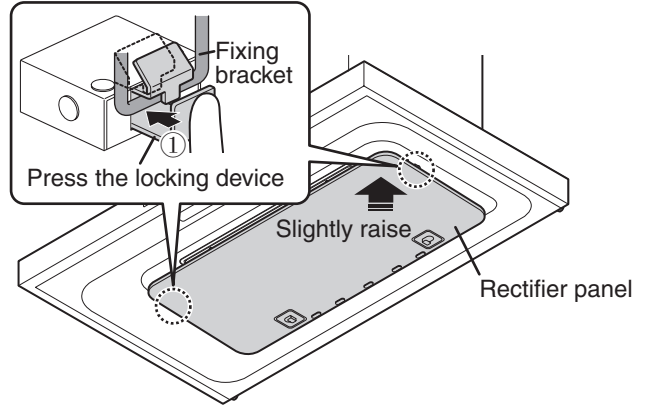
Oil may not accumulate in the short period of time depending on usage frequency, which is normal.



# Rectifier Panel

## ■ Detaching

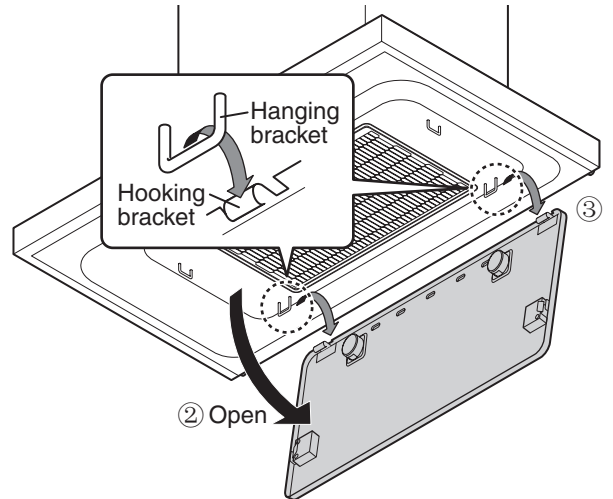
1) Support the rectifier panel with both hands and slightly push it upwards. Press the left and right arresters of the rectifier panel for detaching ( ① ).



2) Support the rectifier panel with both hands to slowly detach it ( ② ).

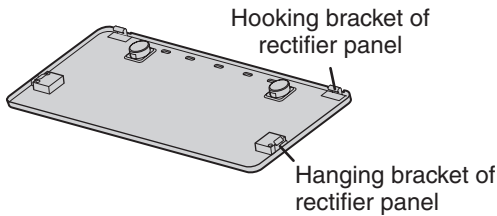
3) Uphold the rear end of the rectifier panel at the position shown in the lower right figure to detach it from the hanging bracket of the cooker hood ( ③ ).

\* Be sure to detach both points at the same time. Otherwise, the metal parts may deform.



### Note

- Oil may have accumulated on the rectifier panel. Take note of any dripping oil.
- When cleaning the rectifier panel, be careful not to deform the hooking brackets and hanging brackets of the rectifier panel. Otherwise, it may be impossible to attach the rectifier panel properly.

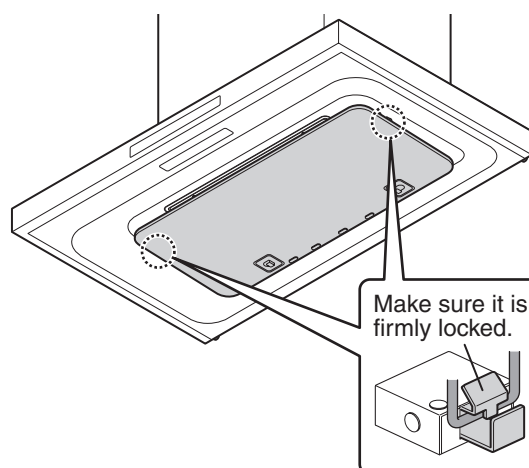
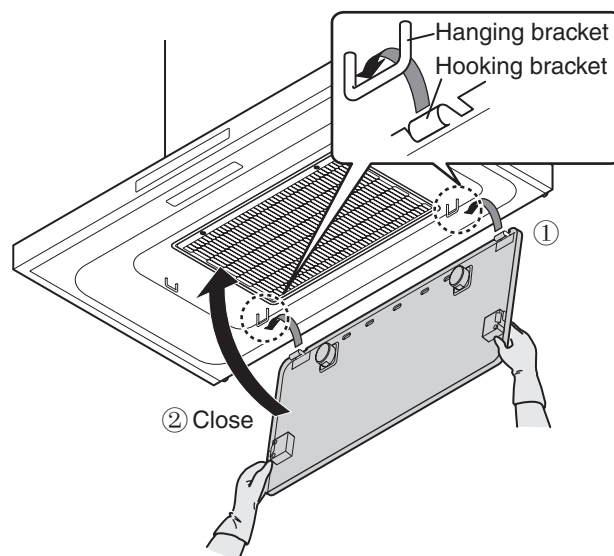


## ■ Attaching

- 1) Securely hang the left and right suspenders at the rear of the rectifier panel on the hanging bracket ( ① ) of the cooker hood.
- 2) Support the rectifier panel with both hands and lift the front end upwards until a “snap” sound is heard, and it is secure ( ② ).  
After installing, pull the rectifier panel up and down to make sure it will not drop.

### Note

In order to prevent fasteners falling due to insufficient locking, please make sure that the rectifier panel is locked securely.



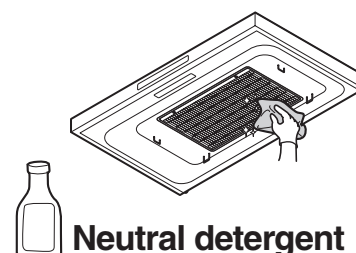
## Cleaning

### Oil tray, areas around the cooker hood, fan guard and rectifier panel

When cleaning, dip a piece of soft cloth into neutral detergent, wring it out, and then use it to clean the areas around the cooker hood and the rectifier panel. After cleaning, wipe the cooker hood well with a wet cloth to remove any remaining detergent. Finally thoroughly wipe any moisture off using a dry cloth.

### Note

When cleaning the rectifier panel, perform it on a flat surface in order not to deform it.



# Other Information

## Specifications

### FR-ST2190VP

Rated Voltage (V)	Speed	Rated Frequency (Hz)	Power Consumption (W)	Air Flow (m <sup>3</sup> /h)	Noise (dB)
220	Boost Mode	50	295	1200	55
	Hi	50	260	1080	52
	Med	50	165	840	46
	Low	50	105	600	39
240	Boost Mode	50	350	1300	56
	Hi	50	280	1180	53
	Med	50	190	900	47
	Low	50	125	680	40

\* with 3.5 watts for lamp

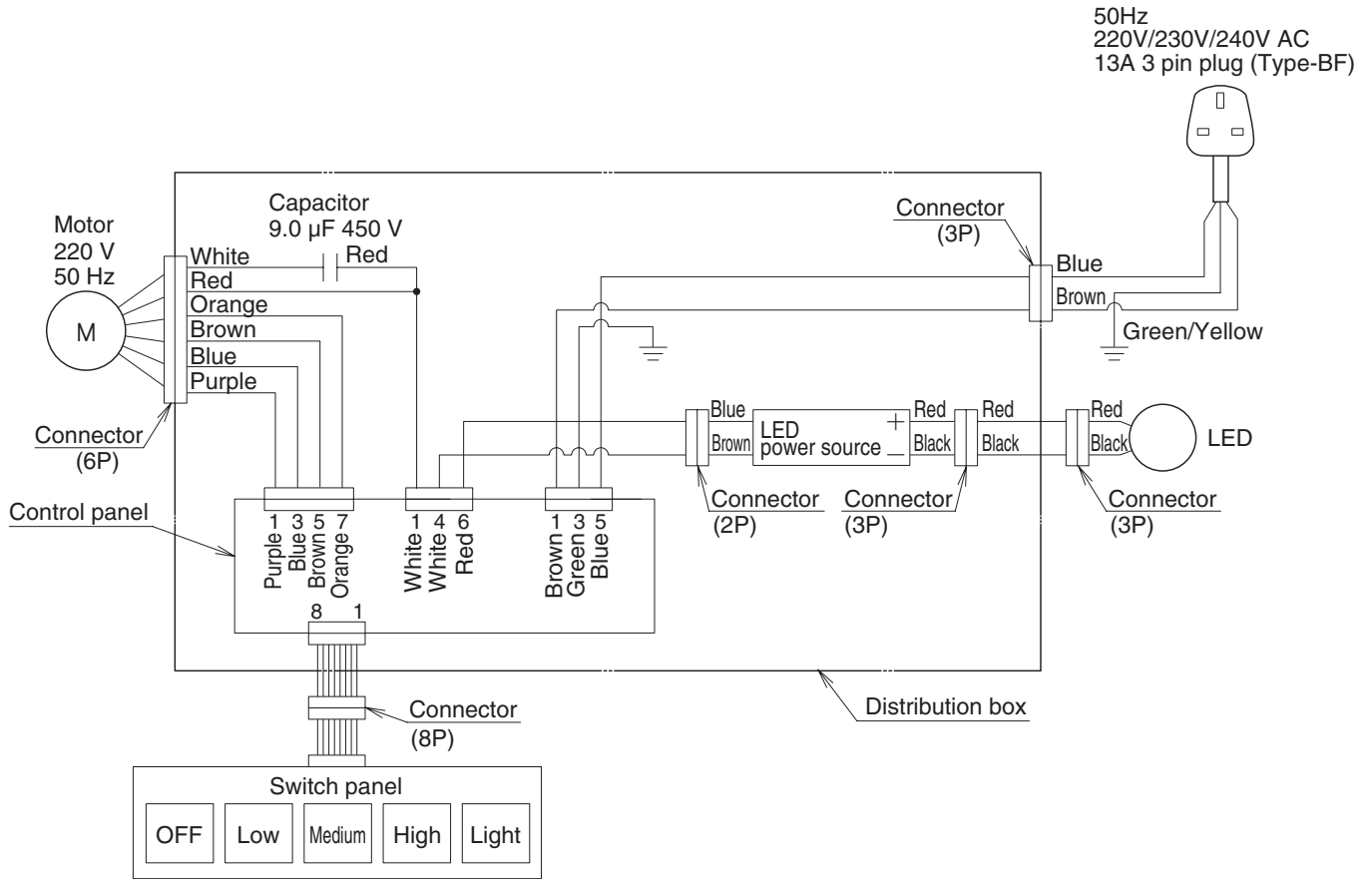
### FR-ST2190VP-15

Rated Voltage (V)	Speed	Rated Frequency (Hz)	Power Consumption (W)	Air Flow (m <sup>3</sup> /h)	Noise (dB)
220	Boost Mode	50	290	1150	53
	Hi	50	235	1040	50
	Med	50	165	820	44
	Low	50	105	600	36

\* with 3.5 watts for lamp



# Circuit Diagram



# Service and Warranty

When requesting after-sales service:

- If any abnormality occurs while the cooker hood is in operation, switch the cooker hood off and check the following:
  - (1) Whether the fuse in the breaker has been burnt out?
  - (2) Whether the power plug is not in proper contact with the socket?

If none of the above causes are the problem, disconnect the power plug from the socket and consult the shop from which you have purchased your cooker hood.

When consulting the shop, inform the shop the type/model of cooker hood and the date of purchase.

**5**  
years

- The minimum warranty period of performance parts for repairing the cooker hood is 5 years after termination of manufacturing of the cooker hood.

The performance parts refer to those parts for required to maintain the functions of a cooker hood. However, the warranty period of the same kinds of interchangeable parts can be prolonged to another 4 years.

Under the premise of not affecting the normal use, we are willing to repair these parts according to your instructions.

- *The parts used on the cooker hood are subject to change without prior notice owing to improvement of performance.*

# Memo

Global Website  
[www.fujioh.com](http://www.fujioh.com)

**FUJIOH INTERNATIONAL TRADING PTE. LTD.**

Southeast Asia Regional Headquarters

3014A Ubi Road 1 #06-04, Singapore 408703

Tel : (65) 6286 3286 Fax : (65) 6285 3285

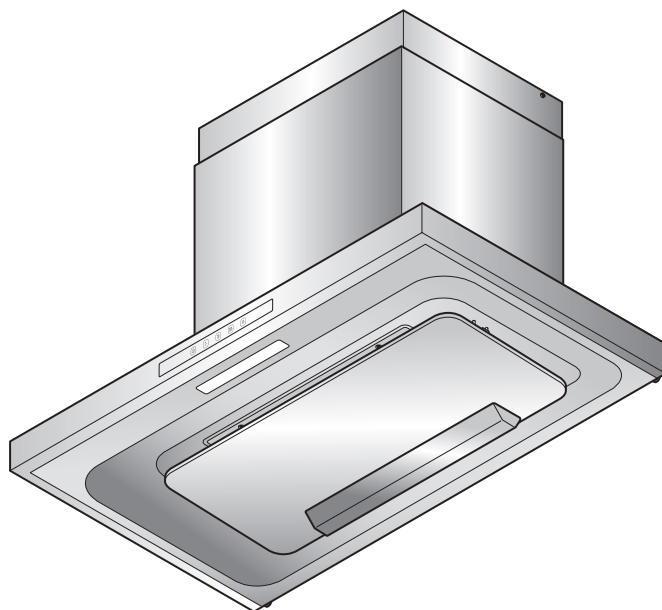
E-mail : [fit@fujioh.com.sg](mailto:fit@fujioh.com.sg)

-FUJIOH-



# 吸 油 烟 机

FR-ST2190VP  
FR-ST2190VP-15  
安装及操作手册



目 录	
安全注意事项 .....	22~23
使用须知 .....	24
准 备 .....	25~27
部件名称 .....	25
操作按键 .....	26~27
安 装 .....	28~32
安装前的准备和检查 .....	28~29
安装吸油烟机 .....	30~32
运行检查 .....	32
维 护 .....	33~35
维护注意事项 .....	33
分离 / 安装要清洗部件 .....	33~35
清 洁 .....	35
其他信息 .....	36~38
规 格 .....	36
电路图 .....	37
修理与保修 .....	38

敬告零售店及安装单位：  
在安装施工结束后，务必请  
将本使用说明书呈交顾客。

感谢购买本公司吸油烟机。  
安装 / 操作吸油烟机之前，请通读此说明书。  
阅读后，请妥善保管此说明书。

1F02 2783



\* 1 F 0 2 2 7 8 3 \*

# 安全注意事项

- 安装及使用本产品前，应阅读以下安全注意事项，以便正确、安全地安装吸油烟机。
- 这些安全注意事项旨在正确安装本产品，以防对自己或他人造成危险或伤害。根据危险性和损害程度，安全注意事项分为“警告”和“注意”两个等级。由于这些注意事项对于安全至关重要，因此务必加以注意并严格予以遵守。



**警告**

表示会导致重大人身伤亡。



**注意**

表示会导致人身伤害或物品损坏。

安全注意事项

## 警告



4 眼炉灶以下

- 如果在超过 4 眼炉灶或燃烧灶炉的上部安装吸油烟机。



严禁操作

- 煤气泄漏时，严禁操作吸油烟机的开关。否则会造成煤气爆炸。



严禁拆卸、修理或改动

- 严禁拆卸、修理或改动。应请合格技术人员进行操作，否则可能造成火灾、电击或异常情况。



注意通风

- 选择通风良好的位置进行安装。使用自然排气式炉具时，如果通风换气不良会造成一氧化碳中毒。



禁止使用

- 电压超过 220V/230V/240V AC 的地方禁止使用。否则可能造成火灾或电击。



严格执行

- 吸油烟机排出的气体不应排到用于排出燃烧煤气或其他燃料的烟雾使用的热烟道中。（该条不用于把气体排回室内的吸油烟机。）



注意组装

- 必须由专业安装人员正确布线。布线不当可能造成漏电或火灾。



注意调节

- 必须进行排气调节。



注意安装

- 应至少由 2 人进行安装工作。吸油烟机的重量约为 31 kg。



要求监督

- 体质虚弱者、感觉能力或精神状态较差者（包括儿童），或缺乏经验和知识者不宜使用本产品，除非有专人负责其安全并为其提供与本产品使用相关的监督或指导。应对儿童加以监管，切勿让其玩弄本产品。



注意安装

- 为了确保与主电源全极断开，应在固定布线中设置断开装置。



拔下电源插头

- 保养和维护时，务必从插座上拔下电源插头，或关闭断电器开关。此外，请勿用湿手接触电源插头或断电器。否则会导致电击或人身伤害。



注意通风

- 在多种器具燃烧煤气或其他燃料的情况下使用吸油烟机时，应使室内保持良好的通风状况。



擦除灰尘

- 应经常清洁电源插头，以免灰尘积聚。否则会造成火灾或电击。



经常清洁

- 如果未按说明进行清洁，可能会引发火灾。



严禁喷水

- 严禁向任何电子部件喷水。否则会造成火灾或电击。



严禁烧烤

- 禁止在吸油烟机下方烧烤食品。

# ⚠ 注意



注意安装

- 选择坚固的位置，牢固安装本产品。否则机体掉落将会造成伤害。



注意安装

- 当吸油烟机正好位于炊具上方时，炊具的上边缘与吸油烟机下边缘之间的距离应为 650mm~850mm。如果炊具使用说明书规定了更大间距，则必须加以考虑。



捏住电源插头的端部拔掉插头

- 断开电源时，应捏住电源插头的端部将插头拔掉，不要拽拉电线。否则会使电线受损，并可能引起火灾或电击。



禁止放置物品

- 请勿在吸油烟机上放置任何物品。否则会造成火灾、故障，或因物品掉落而造成伤害。



拔掉插头

- 长时间不使用时，务必将电源插头从插座上拔下或关闭断路器开关。否则会造成绝缘性能受损，并可能引起火灾或电击。



戴工作手套

- 保养和维护时务必戴上工作手套。否则会被尖锐的边角划伤。



禁止使用

- 切勿在浴室等潮湿的场所使用本产品。（应在浴室使用排气扇。）否则可能造成火灾或故障。



更换受损的电源线

- 如果电源线受损，必须由制造商、服务代理机构或同等资格的人员予以更换，以免造成危险。



注意组装

- 要确实地安装好在维修等时取下的部件。否则部件掉落将会造成伤害。



禁止

- LED 灯发光时，请勿直视，以免伤到您的眼睛。



注意组装

- 必须根据有关标准或规定安全布设电线。布线不当会造成火灾或电击。



注意

- 当油达到油杯 1/2 时，请及时清理，以防油溢出及拆除时油滴滴落现象发生。



禁止接触

- 不要在烹饪过程中接触防护网和周围的部件。否则会使防护网或部件脱落，造成烫伤或伤害。



注意安装

- 安装时请务必使用本产品随机附带的挂钩及塑料膨胀管（混凝土墙面时），以防产品的掉落。



禁止接触

- 吸油烟机运转时，切勿将手指或其他物品插入其中。否则会造成故障或伤害。



注意安装

- 为防止产品掉落，使用塑料膨胀管时，请配用相应规格的钻头，并尽量使二者间无间隙。



禁止操作

- 油锅着火时应立即关闭吸油烟机的电源。否则会助长火势，造成危险。



严格执行

- 排气管必须确保接到室外。为了避免火灾的发生并保持空气清新，请将废气排到室外。请不要将废气排到墙内，阁楼或车库中。

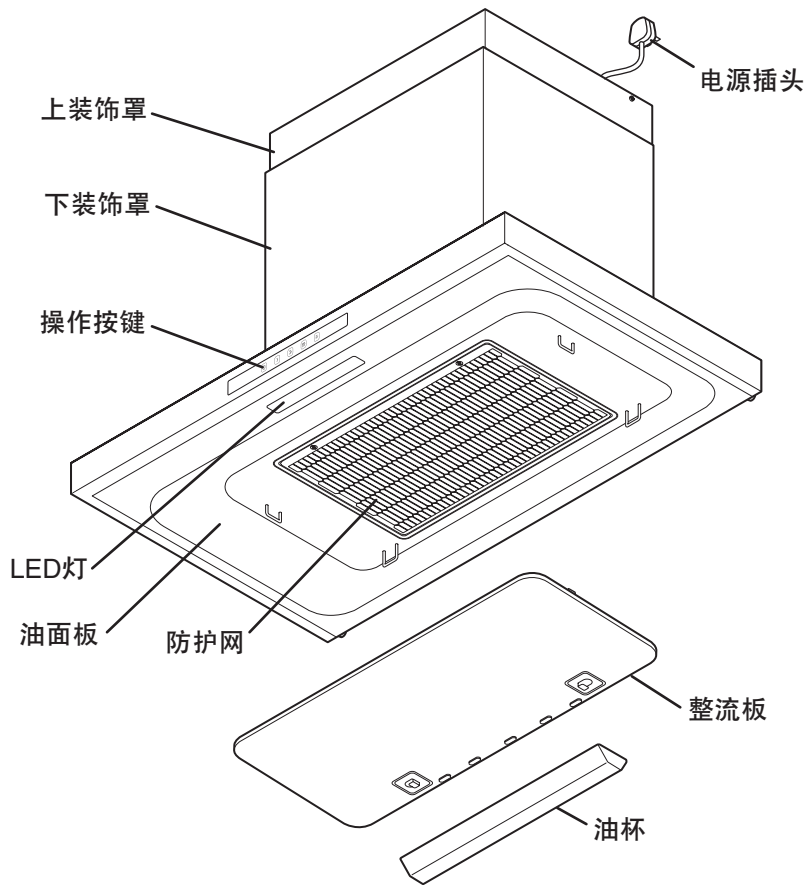
## 使用须知

- **使用烹饪器具时，务必运行吸油烟机。**  
否则，吸油烟机可能会因温度增高而造成损坏或故障。
- **请勿在未放置任何器具的情况下使用燃气灶。**  
否则，机身可能会因受热而造成故障。
- **使用电磁炉时，吸油烟机的吸油烟性能可能会因侧风的影响而削弱。**  
此外，如果在低温条件下使用吸油烟机，则其表面形成结露。  
此时，应将吸油烟机擦拭干净后再予使用。
- **防止空调直接吹风。**  
否则，其吸油烟性能可能会降低。  
尤其是当电磁炉几乎没有产生的上升气流时，吸油烟机便很容易在开阔的空间中受到影响。
- **在吸油烟机运行过程中，应注意保持良好的通风环境。**  
在吸油烟机对面的墙体上应留有足够的进风口，或将房间的门稍稍打开。  
否则，吸油烟性能可能减弱，或可能产生异常噪音、振动。
- **热水器应与吸油烟机保持 500 mm 以上的距离。**  
由于热水器周围温度较高，因此应与吸油烟机保持 500 mm 以上的距离。  
切勿将吸油烟机安装在热水器的上方。否则，吸油烟机可能会因温度增高而造成损坏或故障。
- **请勿在整流板拆下的情况下使用吸油烟机。**  
否则，吸油烟性能可能因此而降低。
- **处理废吸油烟机时，首先处理成不能使他人继续能够使用的状态之后丢弃。**



# ■ 准备

## 部件名称



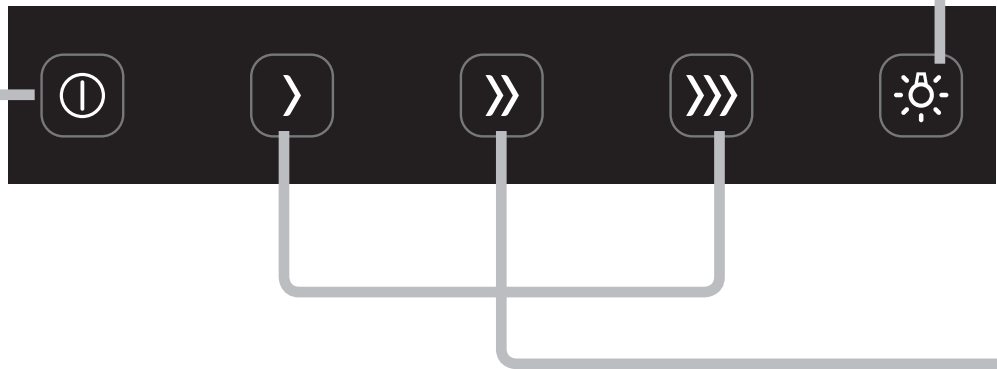
准  
备

### 装箱清单

名称	用途	数量
主机	—	1
整流板	—	1
排气管 (外形 $\varnothing 180\text{ mm}$ )	—	1
上装饰罩	—	1
下装饰罩	—	1
挂钩	悬挂产品	1
塑料膨胀管	固定挂钩及装饰罩挂钩	7
垫圈木螺丝 ( $\varnothing 5.1 \times 45$ )	固定挂钩及装饰罩挂钩	7
装饰罩挂钩	固定上装饰罩	1
平头螺丝 ( $M4 \times 8$ )	固定上装饰罩	2
排气口	连接主机同排气管	1
安装螺丝 ( $M4 \times 16$ )	连接主机同排气口	4
安装螺丝 ( $\varnothing 3 \times 8$ )	连接排气口与排气管	2
油杯	集取使用过后的油	1
<b>以下仅限 FR-ST2190VP-15</b>		
转换管 ( $\varnothing 180\text{-}\varnothing 150$ )	用于连接排气管与排气软管	1
软密封带	密封排气口同排气管	2

# 操作按键

准  
备



## ⓐ 关闭按键

按下此键后，叶轮会即刻停止工作。

※ 照明不会关闭。按 ☀️ 关闭照明。



## ■ 按键锁定（关闭全部操作功能）

### ● 锁定按键需要

按下 ⓐ 持续 3 秒钟。

--- 当机体发出“滴滴”声时，按键锁定。

--- 叶轮停转，照明关闭。

--- > 同 >>> 交互闪烁。

锁定状态按下除 ⓐ 之外的任何键。

--- 则发出“滴滴滴”的警告声。

灯按 > >> >>> 顺序闪烁。

--- 叶轮与照明灯不工作。

### ● 解锁需要

按下 ⓐ 持续 3 秒直到机体再度发出“滴—”的响声。

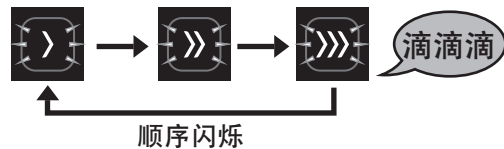
解锁后请务必根据需要，重新对照明、运转、风量切换键进行操作。

※ 锁定操作请务必在烹饪结束，吸油烟机充分冷却后进行。

※ 停电或跳闸时，锁定解除。



按键处于锁定状态，按除“关闭”外的按键时，机体表示状态



## 照明按键


用于开启及关闭照明。



## 运转、风量切换按键（低档、中档、高档）

按下此键后，按键灯亮起，风量切换。



（低档）……烟量小时。希望无声运转时。

（中档）……普通运转。

（高档）……烟量多时。希望快速换气时。



### ●爆炒运转开始

运转中，长按开关 （3 秒钟），即开始爆炒运转。  
运转 3 分钟后返回 （高档）。

--- 爆炒运转中灯  闪烁。



### ●解除爆炒运转

爆炒运转中按下   的任一开关或长按开关 （3 秒钟），即解除爆炒运转，返回通常运转模式。

---    的任一灯点亮。

※ 爆炒运转中按 ，即停止运转。



### ■设定 3 分延时运转

按下运转中点亮的的风量开关，设定 3 分延时运转。

--- 灯  闪烁。

每次按下都会设定与解除 3 分延时运转。

※ 灯不熄灭。

--- 3 分延时运转在停止前 5 秒钟时切换为爆炒运转模式。

--- 灯   闪烁。



### ■防止忘记关闭运转的计时功能

本吸油烟机在停止操作 5 小时后会自动停止运作，关闭照明。

请按    中的任意键再度启动。

# ■ 安 装

## 安装前的准备和检查

### ⚠ 注 意

1. 安装吸油烟机时应小心谨慎，以免接触建筑物的金属部件（墙壁等构件内部的金属网）。
2. 切勿将吸油烟机的机身埋于墙壁之中，否则会造成机身漏电。
3. 吸油烟机排出的气体不应排到用于排出燃烧煤气或其他燃料的烟雾使用的热烟道中（该条不用于把气体排回室内的吸油烟机）。
4. 当吸油烟机正好位于炊具上方时，炊具的上边缘与吸油烟机下边缘之间的距离应为650mm~850mm。如果炊具使用说明书规定了更大间距，则必须加以考虑。
5. 使用宽度小于吸油烟机的燃气灶。
6. 避免使用规格发生变动的吸油烟机，例如，改换按钮。
7. 请勿将吸油烟机安装在潮湿的地方或潮湿的房间中，否则会造成电击或损害。
8. 请勿将吸油烟机安装在环境温度超过40℃的地方，否则会造成故障。
9. 安装吸油烟机时，要戴好工作手套，以免伤及双手。
10. 如果电源线受损，必须由制造商、服务代理机构或同等资格的人员予以更换，以免造成危险。

## 安 装

### 检查安装表面的强度

安装表面必须有足够的强度来支撑吸油烟机。应将吸油烟机安装在能够牢固持久地支撑其重量的位置。（重量：31 kg）

#### ■ 在板墙上安装

- 如果墙壁的厚度超过20 mm，可直接在墙壁上安装吸油烟机。
- 如果墙壁的厚度小于20 mm，应埋入增强板，再将吸油烟机安装于此板上。

#### ■ 在混凝土墙 / 瓷砖墙上安装

- 请使用随机附带的塑料膨胀管。

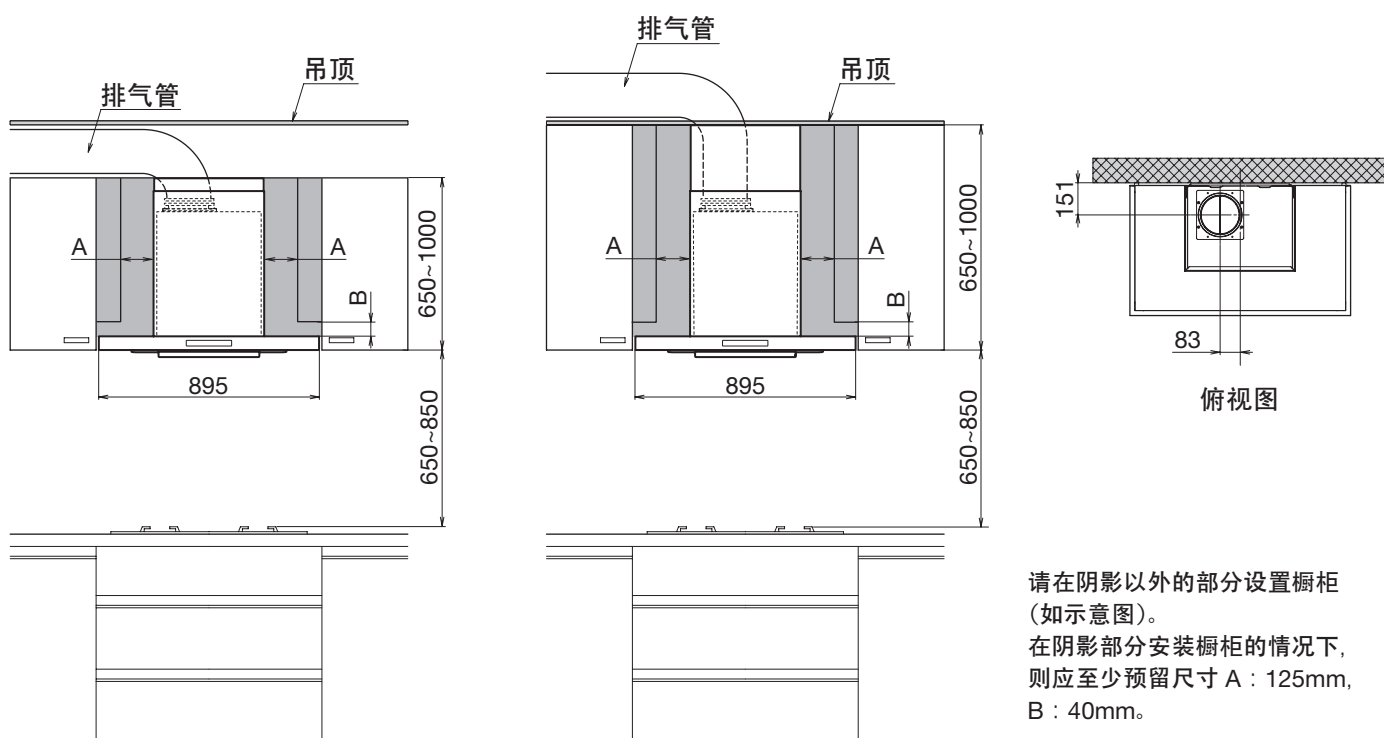
### 电源插头

该吸油烟机使用三相电源插头。  
务必使用吸油烟机专用的墙壁插座。

### 检查附件

从包装盒中取出主机和附件（排气口、下装饰罩等），检查附件是否齐全。

## 确认安装位置 (单位: mm)



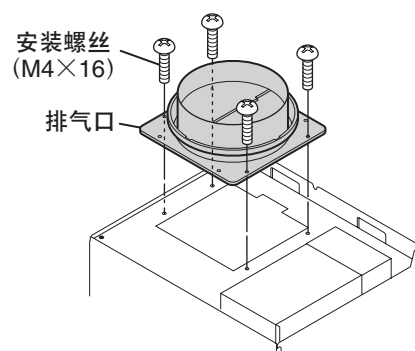
安  
装

## 安装排气口

参考右图, 将排气口的孔对准吸油烟机顶部的螺丝孔, 再用 4 颗安装螺丝 (M4×16) 加以固定。

### 注意

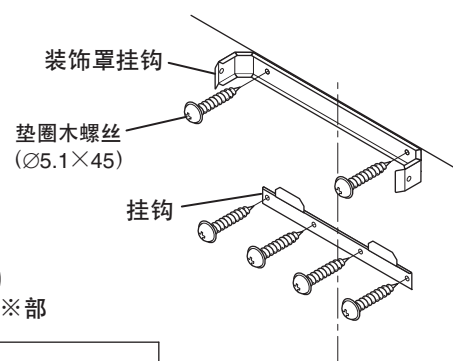
安装排气口时, 应注意挡气板的开启方向。如果安装有误, 可能会造成排气不畅、异常噪音等。



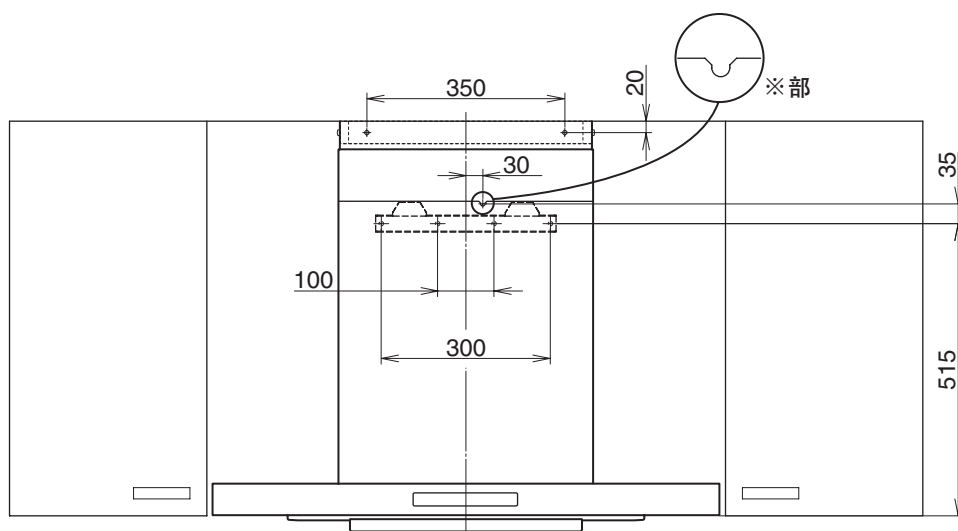
# 安装吸油烟机

- 1) 垫圈木螺丝 ( $\text{Ø}5.1 \times 45$ ) 6 根 (参考下图) 将挂钩及装饰罩挂钩固定在墙面。

※ 如果您使用塑料膨胀管, 请配合用  $\text{Ø}8 \text{ mm}$  规格钻头在墙上钻孔。孔直径  $8 \text{ mm}$  深  $55 \text{ mm}$  以上。

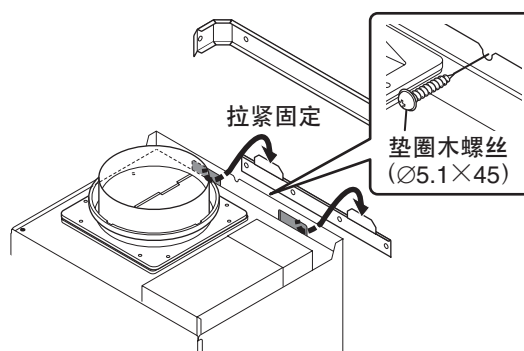


## 安 装

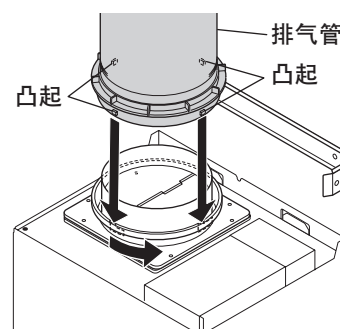


- 2) 将产品挂在挂钩上。
- 3) 为避免产品从挂钩上脱落, 请在 ※ 部 (参考上图) 用 1 根垫圈木螺丝 ( $\text{Ø}5.1 \times 45$ ) 固定。

※ 如果您使用塑料膨胀管, 也请同上述操作一样在墙面上固定垫圈木螺丝。



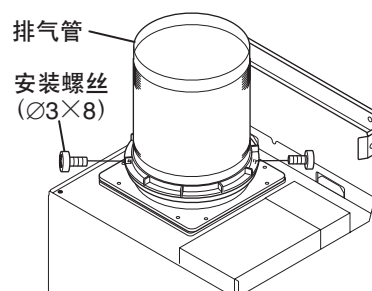
- 4) 将排气管的 4 个凸起对准排气口的凸起, 插入, 按逆时针方向略转动。
- 5) 用 2 个 ( $\text{Ø}3 \times 8$ ) 的螺丝固定排气口与排气管。



- 6) 请确保断电器的开关在“关”的位置, 其后将电源插入插座中。

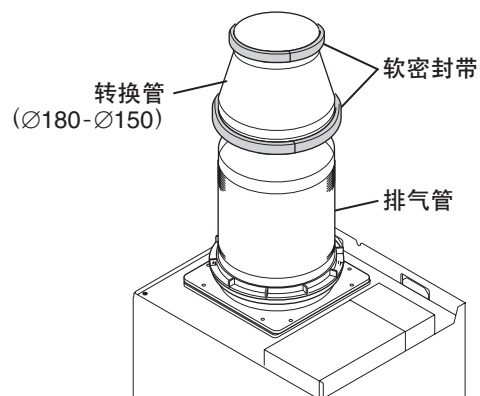
### 注意

- 当您插入电源插头, 请务必关掉配电盘的断路器。
- 请尽量缩短排气管的长度, 并且请注意不要有凹陷等变形。

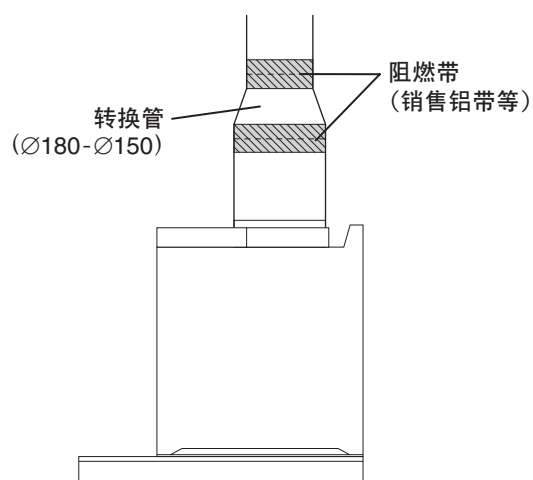


## (仅限 FR-ST2190VP-15)

1) 转换管 (Ø180 - Ø150) 的上端与下端分别粘贴软密封带再与排气管连接。

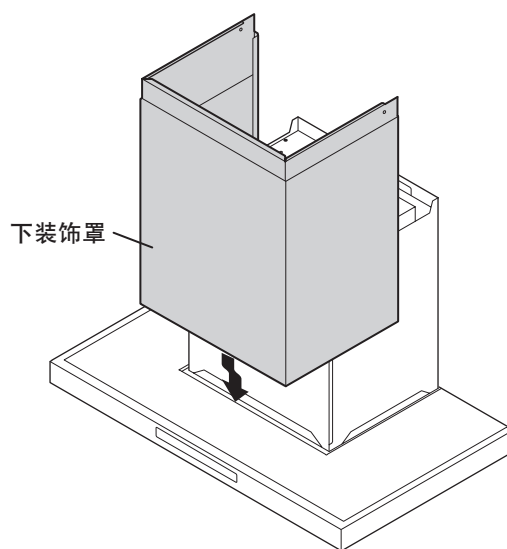


2) 使用阻燃带 (一般市场销售铝带等), 把排气管与转换管、转换管与排气软管的各连接部完全密封, 不留丝毫缝隙。

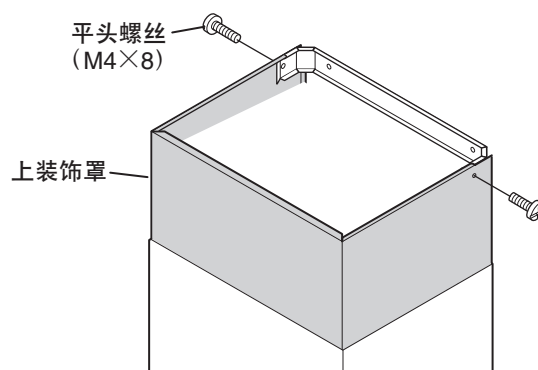


7) 使下装饰罩嵌入到吸油烟机顶面的沟槽内。

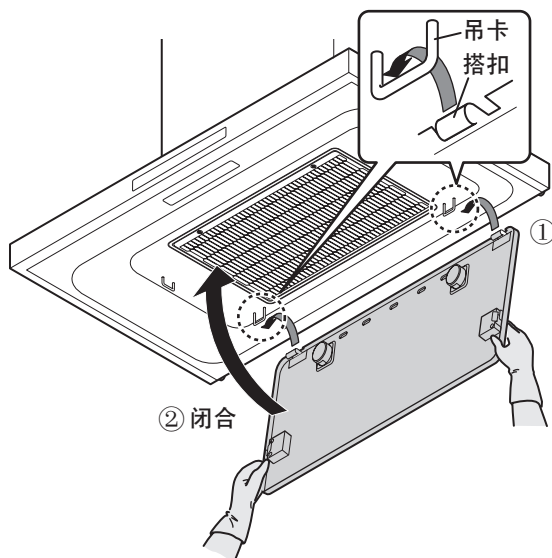
※ 安装时注意不要损伤本产品。



8) 将上装饰罩滑至上方, 挂在装饰罩挂钩上, 用 2 根平头螺丝 (M4×8) 从其侧方固定。



9) 将整流板后端的左右挂扣部确实吊挂在吸油烟机的吊环部 (①)。

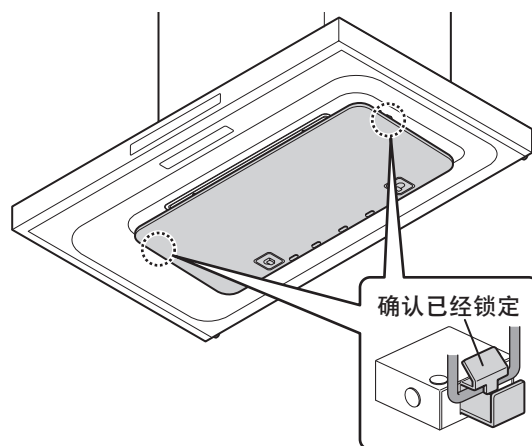


10) 双手一边撑住整流板、一边向上举起前端直到发出“咔嚓”声、将其固定 (②)。

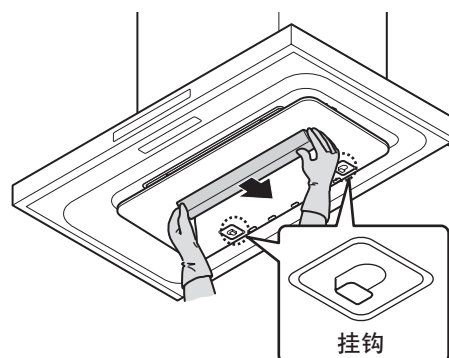
11) 安装后，上下拉动一下整流板、确认其不会脱落。

### 注意

为避免因锁定不足而引发的固件脱落，请务必保证整流板被坚实固定。



12) 将油杯安装在整流板上。  
将油杯的2处凸出部对准整流板的安装孔插入，向后滑动、固定。



## 运行检查

将分电盘拨至“开”的位置，进行试运行。如何操作按键与确认运转状态请参考第 26, 27 页。

- 本吸油烟机运转时，各档叶轮是否正常工作。
- 是否发出异常噪音及异常振动。



# ■ 维护

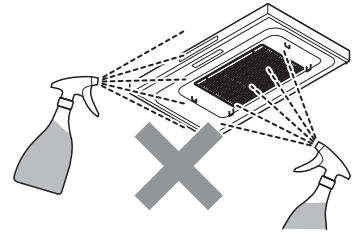
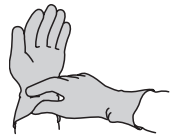
由于吸油烟机很容易附着油污，因此应经常清洁吸油烟机（尤其是防护网，应至少每月清洁一次。对于每天做两顿饭以上的家庭而言，应至少每两周清洁一次防护网。）。

如果吸油烟机长时间不清洁，将会积聚大量油污，形成很难去除的油脂硬块。

油杯、吸油烟机四周、整流板如果有油污时，请每次及时清洗。（清洗标准：约每月一次）

## 维护注意事项

- 清洁吸油烟机前，务必从插座上拔下电源插头，或关闭断路器。
- 为安全起见，清洁防护网等部件时，应始终戴好橡胶手套。
- 尤其应小心，防止将水泼到电机、开关、接插件之类的电气部件上。请勿在电气部件上喷洒任何类型的洗涤溶液。否则会造成故障。



- 请勿用诸如稀释剂之类的溶剂、汽油、抛光粉等清洁涂漆表面、油面板等，否则会使这些部分失去光泽或造成刮痕。
- 请勿用硬毛刷之类的物品擦洗各部件，否则会使部件受损。
- 如果不按照说明书规定方法清洗，吸油烟机有起火的危险。

## 分离 / 安装要清洗部件

请按照与拆卸时相反的步骤对各个零部件进行安装。

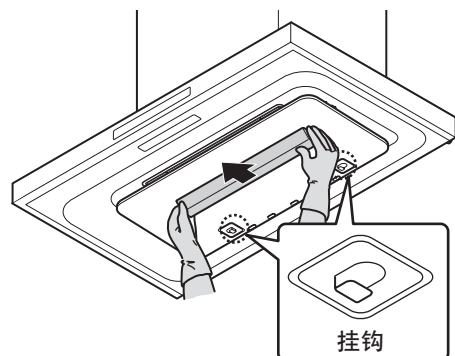
### 卸下油杯

为避免油杯中的油溢出，请保持其水平态从机体的钩子上卸下。

安装时请将油杯挂在挂钩上，并推至机体的最深处。

#### 注意

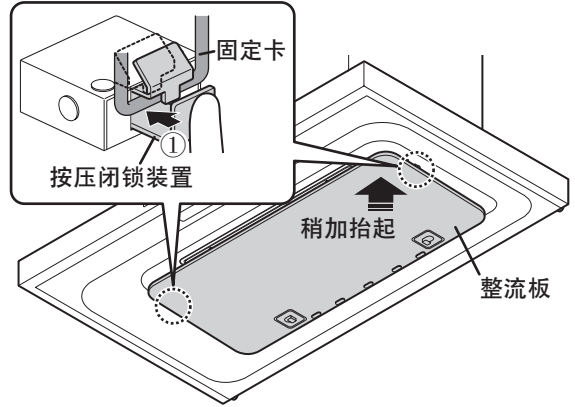
根据您使用状况的不同，会有无集油现象发生，并非异常。



# 整流板

## ■ 卸下

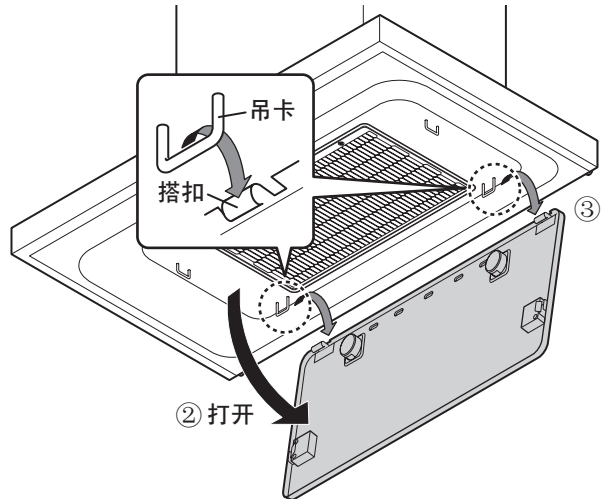
1) 用双手撑住整流板，稍微向上推压、按压整流板左右处的制动扣，卸下 (①)。



2) 用双手撑住整流板、同时慢慢地将其卸下 (②)。

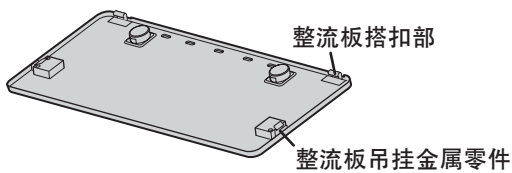
3) 在右下图所示位置举起整流板后端，从吸油烟机吊环部卸下 (③)。

※ 请一定同时卸下左右 2 处。否则会造成金属零件变形。



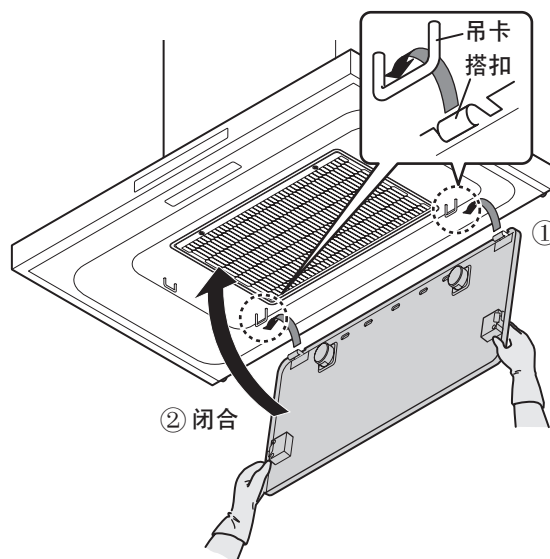
### 注意

- 卸下时整流板上有可能有油积存，请注意油质滴落。
- 清洁整流板时，注意不要使整流板搭扣部及整流板吊挂金属零件变形。如果变形，可能导致整流板不能再次安装。



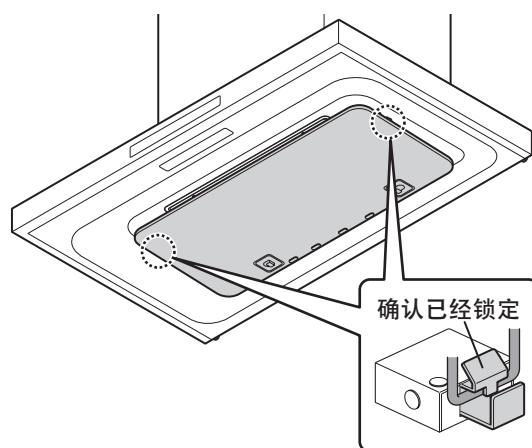
## ■ 安装

- 1) 将整流板后端的左右挂扣部确实吊挂在吸油烟机的吊环部 (①)。
- 2) 双手一边撑住整流板、一边向上举起前端直到发出“咔嚓”声、将其固定 (②)。  
安装后, 上下拉动一下整流板、确认其不会脱落。



## ■ 注意

为避免因锁定不足而引发的固件脱落, 请务必保证整流板被坚实固定。



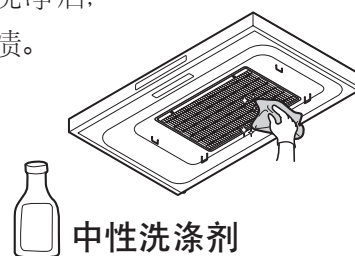
## 清洁

### 油杯、吸油烟机四周、防护网、整流板

将浸有中性洗涤剂的擦布拧干, 用其擦拭吸油烟机的四周和整流板, 洗净后, 请使用湿布仔细擦净以避免洗涤剂的残留、最后再用干布认真擦净水渍。

## ■ 注意

应在平坦的表面清洁整流板, 以免发生变形。



# 其他信息

## 规格

### FR-ST2190VP

额定电压 (V)	档位	额定频率 (Hz)	消耗功率 (W)	风量 (m <sup>3</sup> /h)	噪声 (dB)
220	爆炒	50	295	1200	55
	高档	50	260	1080	52
	中档	50	165	840	46
	低档	50	105	600	39
240	爆炒	50	350	1300	56
	高档	50	280	1180	53
	中档	50	190	900	47
	低档	50	125	680	40

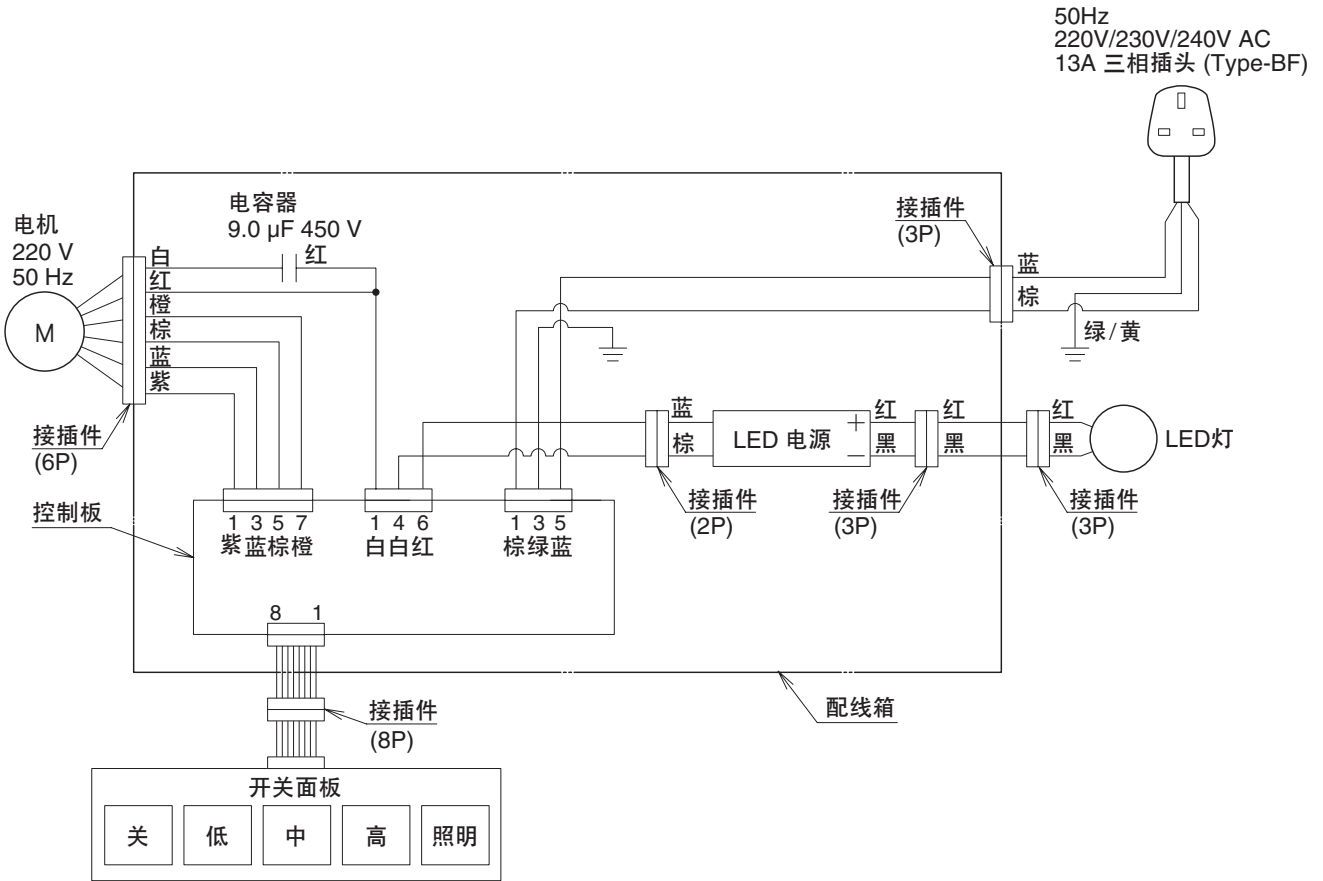
\* 消耗功率含照明灯 3.5W

### FR-ST2190VP-15

额定电压 (V)	档位	额定频率 (Hz)	消耗功率 (W)	风量 (m <sup>3</sup> /h)	噪声 (dB)
220	爆炒	50	290	1150	53
	高档	50	235	1040	50
	中档	50	165	820	44
	低档	50	105	600	36

\* 消耗功率含照明灯 3.5W

# 电路图



其他信息

## 修理与保修

申请维修：

在操作过程中如果发生异常，应立即关掉吸油烟机进行检查：

- 1) 保险丝是否熔断了？
- 2) 电源插头与插座的连接是否正确？

若确认不是上述问题，请立即拔下电源插头，与当初购买本机时的销售商联系。  
与销售商联系时，需说明产品型号及购买日期。

5  
years

- 本型号机停止生产后仍可提供维修所需性能部件的最低保证期为 5 年。

### 其他信息

性能部件是指维持吸油烟机正常使用功能所必需的基本部件。

对于相同类型可互换部件的提供保证期可再延长 4 年。

在对使用不产生影响的前提下，我们将按照您的要求选用这些部件进行维修。

- 为提高吸油烟机性能，有可能在不预先通知的情况下进行产品部件的更新。

# 备忘

全球网站

[www.fujioh.com](http://www.fujioh.com)

FUJIOH INTERNATIONAL TRADING PTE. LTD.

东南亚地区总部

3014A Ubi Road 1 #06-04, Singapore 408703

Tel : (65) 6286 3286 Fax : (65) 6285 3285

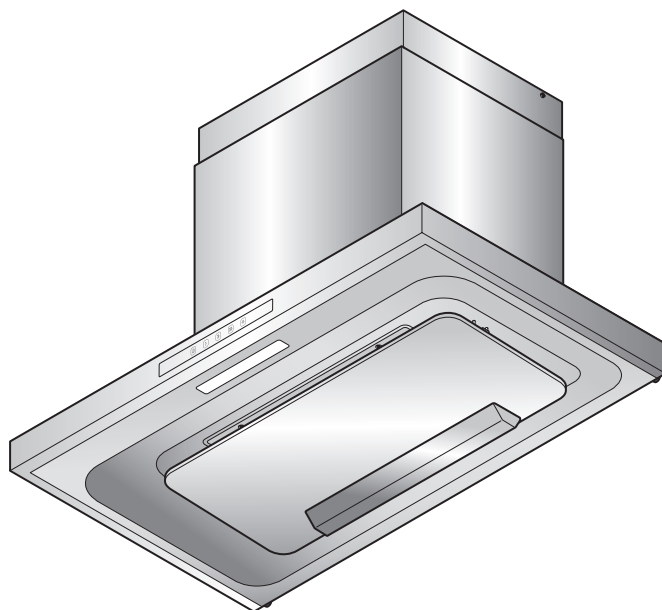
E-mail : [fit@fujioh.com.sg](mailto:fit@fujioh.com.sg)





# 吸油煙機

FR-ST2190VP  
FR-ST2190VP-15  
安裝及操作手冊



目 錄	
安全注意事項 .....	42~43
使用須知 .....	44
準備 .....	45~47
零件名稱 .....	45
操作按鍵 .....	46~47
安裝 .....	48~52
安裝前的準備和檢查 .....	48~49
安裝吸油煙機 .....	50~52
運行檢查 .....	52
維修 .....	53~55
維修注意事項 .....	53
分離／安裝要清洗配件 .....	53~55
清潔 .....	55
其他資訊 .....	56~58
規格 .....	56
電路圖 .....	57
維修和保養 .....	58

敬告零售店及安裝單位：  
在安裝施工結束後，務必請  
將本使用說明書呈交顧客。

感謝購買本公司吸油煙機。  
安裝／操作吸油煙機之前，請詳閱此說明書。  
閱讀後，請妥善保管此說明書。

# 安全注意事項

- 安裝及使用本產品前，應閱讀以下安全注意事項，以便正確、安全地安裝吸油煙機。
- 這些安全注意事項旨在正確安裝本產品，以防對自己或他人造成危險或傷害。根據危險性和損害程度，安全注意事項分為“警告”和“注意”兩個等級。由於這些注意事項對於安全至關重要，因此務必加以注意並嚴格予以遵守。



**警告**

表示會導致重大人身傷亡。



**注意**

表示會導致人身傷害或物品損壞。

## 警告



少於 4 個  
燃燒器

- 如果在超過 4 個煮食爐或燃燒器的上部安裝吸油煙機。



嚴禁拆卸、  
修理或改裝

- 嚴禁拆卸、修理或改裝。應請合資格技術人員進行操作，否則可能造成火災、電擊或異常情況。



禁止使用

- 電壓超過 220V/230V/240V AC 的地方禁止使用。否則可能造成火災或電擊。



裝配時  
注意

- 必須由專業安裝人員正確佈線。佈線不當可能造成漏電或火災。



注意安裝

- 應至少由 2 人進行安裝工作。吸油煙機的重量約為 31kg。



注意安裝

- 為了確保與主電源全極斷開，應在固定佈線中設置斷開裝置。



拔出電源  
插頭

- 保養和維修時，務必從插座上拔出電源插頭，或關閉斷電器開關。此外，請勿用濕手接觸電源插頭或斷電器。否則會導致觸電或人身傷害。



清潔灰塵

- 應經常清潔電源插頭，以免灰塵積聚。否則會造成火災或觸電。



嚴禁噴水

- 嚴禁向任何電子部件噴水。否則會造成火災或觸電。



嚴禁操作

- 煤氣洩漏時，嚴禁操作吸油煙機的開關。否則會造成煤氣爆炸。



注意空氣  
流通

- 選擇通風良好的位置進行安裝。使用自然排氣式爐具時，如果通風換氣不良會造成一氧化碳中毒。



嚴格執行

- 吸油煙機排出的氣體不應排到用於排出燃燒煤氣或其他燃料的煙霧使用的熱煙道中。（不適用於可將氣體釋放至室內的吸油煙機。）



注意調節

- 必須進行排氣調節。



監護要求

- 體質虛弱者、感覺能力或精神狀況較差者（包括兒童），或缺乏經驗和知識者不宜使用本產品，除非有專人負責其安全並為其提供與本產品使用相關的監督或指導。應對兒童加以監管，切勿讓其玩弄本產品。



注意空氣  
流通

- 在多種器具燃燒煤氣或其他燃料的情況下使用吸油煙機時，應使室內保持良好的通風狀況。



經常清潔

- 如果未按說明進行清潔，可能會引發火災。



嚴禁燒烤

- 禁止在吸油煙機下方燒烤食品。



注意安裝

- 選擇堅固的位置，牢固安裝本產品。  
否則機體掉落將會造成傷害。



注意安裝

- 當吸油煙機正好位於爐具上方時，爐具的上邊緣與吸油煙機下邊緣之間的距離應為650mm~850mm。如果爐具使用說明書規定更大間距，則必須加以考慮。



捏住電源插頭的端部拔掉插頭

- 斷開電源時，應捏住電源插頭的端部將插頭拔掉，不要拽拉電線。否則會使電線受損，並可能引起火災或觸電。



禁止放置物品

- 請勿在吸油煙機上放置任何物品。否則會造成火災、故障，或因物品掉落而造成傷害。



拔出插頭

- 長時間不使用時，務必將電源插頭從插座上拔出或關閉斷電器開關。否則會造成絕緣性能受損，並可能引起火災或觸電。



戴工作手套

- 保養和維修時務必戴上工作手套。否則會被尖銳的邊角割傷。



禁止使用

- 切勿在浴室等潮濕的場所使用本產品。（應在浴室使用排氣扇。）否則可能造成火災或故障。



更換受損的電源線

- 如果電源線受損，必須由製造商、服務代理機構或同等資格的人員予以更換，以免造成危險。



禁止

- LED 燈發光時，請勿直視，以免傷及眼睛。



裝配時注意

- 要確實地安裝好在維修等時取下的零件。否則零件掉落將會造成傷害。



注意

- 當油達到油杯 1/2 時，請及時清理，以防拆除油杯時油污溢出或滴落。



裝配時注意

- 必須根據有關標準或規定安全佈設電線。佈線不當會造成火災或觸電。



注意安裝

- 安裝時請務必使用本產品隨機附帶的掛鉤及塑料膨脹管（混凝土牆面時），以防產品的掉落。



禁止觸摸

- 不要在烹飪過程中接觸過濾網和周圍的零件。否則會使過濾網或零件脫落，造成燙傷或傷害。



注意安裝

- 為防止產品掉落，使用塑料膨脹管時，請配用相應規格的鑽頭，並盡量使二者間無間隙。



禁止觸摸

- 吸油煙機運轉時，切勿將手指或其他物品插入其中。否則會造成故障或傷害。



嚴格執行

- 排氣管必須確保接到室外。為了避免火災的發生並保持空氣清新，請將廢氣排到室外。請不要將廢氣排到牆內，閣樓或車庫中。



禁止運行

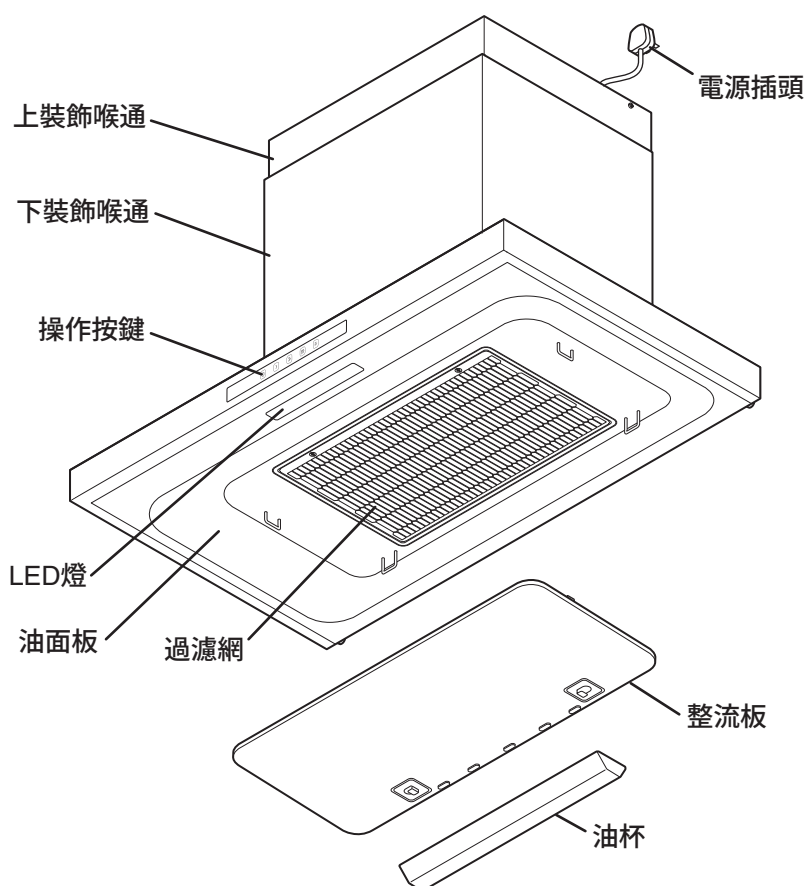
- 廚具著火時應立即關閉吸油煙機的電源。否則會助長火勢，造成危險。

## 使用須知

- **使用烹飪器具時，務必運行吸油煙機。**  
否則，吸油煙機可能會因溫度增高而造成損壞或故障。
- **請勿在未放置任何器具的情況下使用煮食爐。**  
否則，機身可能會因受熱而造成故障。
- **使用電磁爐時，吸油煙機的吸油煙性能可能會因側風的影響而削弱。**  
此外，如果在低溫條件下使用吸油煙機，則其表面形成結露。  
此時，應將吸油煙機擦拭乾淨後再予使用。
- **防止空調直接吹風。**  
否則，其吸油煙性能可能會降低。  
尤其是當電磁爐幾乎沒有產生的上升氣流時，吸油煙機便很容易在開放式空間中受到影響。
- **在吸油煙機運行過程中，應注意保持良好的通風環境。**  
在吸油煙機對面的牆體上應留有足夠的進風口，或將房間的門稍稍打開。  
否則，吸油煙性能可能減弱，或可能產生異常噪音、振動。
- **熱水爐應與吸油煙機保持 500mm 以上的距離。**  
由於熱水爐周圍溫度較高，因此應與吸油煙機保持 500mm 以上的距離。  
切勿將吸油煙機安裝在熱水爐的上方。否則，吸油煙機可能會因溫度增高而造成損壞或故障。
- **請勿在整流板拆下的情況下使用吸油煙機。**  
否則，吸油煙性能可能因此而降低。
- **處理舊吸油煙機時，確保棄置前已不能運作。**

# 準備

## 零件名稱



準備

### 裝箱清單

名稱	用途	數量
主機	—	1
整流板	—	1
排氣管 (外形 $\varnothing 180\text{mm}$ )	—	1
上裝飾喉通	—	1
下裝飾喉通	—	1
掛鉤	懸掛產品	1
塑料膨脹管	固定掛鉤及裝飾喉通掛鉤	7
墊圈木螺絲 ( $\varnothing 5.1 \times 45$ )	固定掛鉤及裝飾喉通掛鉤	7
裝飾喉通掛鉤	固定上裝飾喉通	1
平頭螺絲 ( $M4 \times 8$ )	固定上裝飾喉通	2
排氣口	連接主機同排氣管	1
安裝螺絲 ( $M4 \times 16$ )	連接主機同排氣口	4
安裝螺絲 ( $\varnothing 3 \times 8$ )	連接排氣口與排氣管	2
油杯	收集使用過後的油	1
<b>以下僅限 FR-ST2190VP-15</b>		
轉換管 ( $\varnothing 180 - \varnothing 150$ )	用於連接排氣管與排氣軟管	1
軟密封帶	密封排氣口同排氣管	2

# 操作按鍵

準備

## ① 關閉按鍵


按下此鍵後，風機會即刻停止工作。



※ 照明不會關閉。按  關閉照明。



## ■ 按鍵鎖定（關閉全部操作功能）

### ● 鎖定按鍵需要


按下  持續 3 秒鐘。

- 當機體發出“嗶嗶”聲時，按鍵鎖定。
- 風扇停轉，照明關閉。
-  同  交互閃爍。

鎖定狀態按下除  之外的任何鍵。

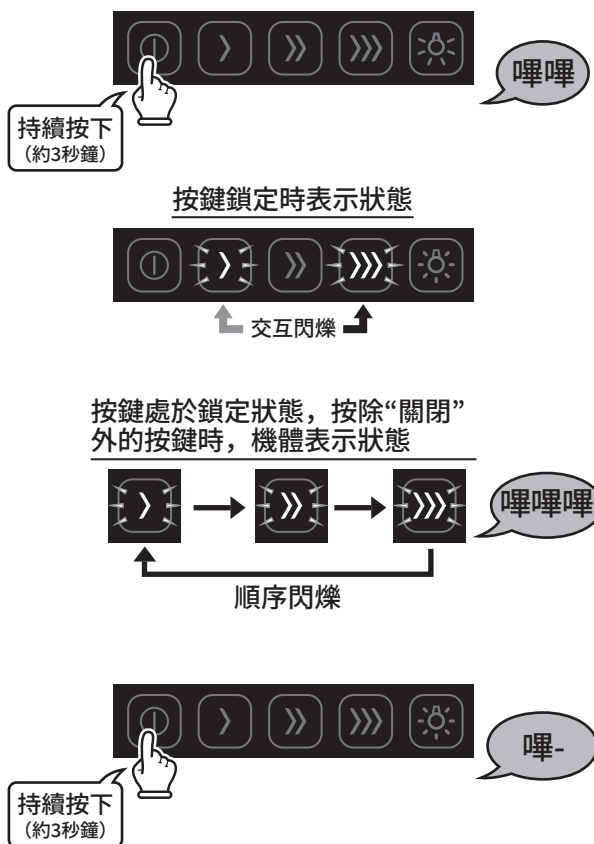
- 則發出“嗶嗶嗶”的警告聲。
- 燈按    順序閃爍。
- 風扇與照明燈不運作。

### ● 解鎖需要

按下  持續 3 秒直到機體再度發出“嗶 - ”的響聲。

解鎖後請務必根據需要，重新對照明、運轉、風量切換鍵進行操作。

- ※ 鎖定操作請務必在烹飪結束，吸油煙機充分冷卻後進行。
- ※ 停電或跳掣時，鎖定解除。




## 照明關閉

用於開啟及關閉照明。



## 運轉、風量切換按鍵（低檔、中檔、高檔）

按下此鍵後，按鍵燈亮起，風量切換。



（低檔）.....煙量小時。希望無聲運轉時。

（中檔）.....普通運轉。

（高檔）.....煙量多時。希望快速換氣時。



### ●爆炒運轉開始

運轉中、長按高檔 （3 秒鐘），即開始爆炒運轉。  
運轉 3 分鐘後返回 （高檔）。

--- 爆炒運轉中燈  閃爍。



### ●解除爆炒運轉

爆炒運轉中按下   的任一開關或長按開關 （3 秒鐘），即解除爆炒運轉、返回通常運轉模式。

---    的任一燈點亮。

※ 爆炒運轉中按 ，即停止運轉。



### ■設定 3 分鐘延長關機功能

按下運轉中點亮的風量開關，設定 3 分鐘延長關機功能。

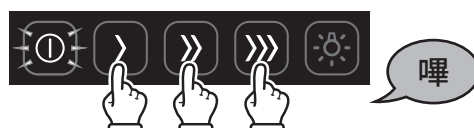
--- 燈  閃爍。

每次按下都會設定與解除 3 分鐘延長關機功能。




※ 燈不熄滅。

--- 3 分鐘延長關機功能在停止前 5 秒鐘時  
切換為爆炒運轉模式。

--- 燈   閃爍。



### ■防止忘記關閉運轉的計時功能

本吸油煙機在停止操作 5 小時後會自動停止運作，關閉照明。  
請按    中的任意鍵再度啟動。

# ■ 安裝

## 安裝前的準備和檢查

### ⚠ 注意

1. 安裝吸油煙機時應小心謹慎，以免接觸建築物的金屬零件（牆壁等構件內部的金屬網）。
2. 切勿將吸油煙機的機身埋於牆壁之中，否則會造成機身漏電。
3. 吸油煙機排出的氣體不應排到用於排出燃燒煤氣或其他燃料的煙霧使用的熱煙道中（不適用於可將氣體釋放至室內的吸油煙機）。
4. 當吸油煙機正好位於爐具上方時，爐具的上邊緣與吸油煙機下邊緣之間的距離應為650mm~850mm。如果爐具使用說明書規定更大間距，則必須加以考慮。
5. 使用寬度小於吸油煙機的煮食爐。
6. 避免使用經不當改動的吸油煙機，例如，改換按鈕。
7. 請勿將吸油煙機安裝在潮濕的地方或潮濕的房間中，否則會造成觸電或損害。
8. 請勿將吸油煙機安裝在環境溫度超過 40°C 的地方，否則會造成故障。
9. 安裝吸油煙機時，要戴好工作手套，以免傷及雙手。
10. 如果電源線受損，必須由製造商、服務代理機構或同等資格的人員予以更換，以免造成危險。

## 安 裝

### 檢查安裝表面的強度

安裝表面必須有足夠的強度來支撐吸油煙機。應將吸油煙機安裝在能夠牢固持久地支撐其重量的位置。  
(重量：31kg)

#### ■ 在板牆上安裝

- 如果牆壁的厚度超過 20mm，可直接在牆壁上安裝吸油煙機。
- 如果牆壁的厚度小於 20mm，應埋入增強板，再將吸油煙機安裝於此板上。

#### ■ 在混凝土牆／瓷磚牆上安裝

- 請使用隨機附帶的塑料膨脹管。

### 電源插頭

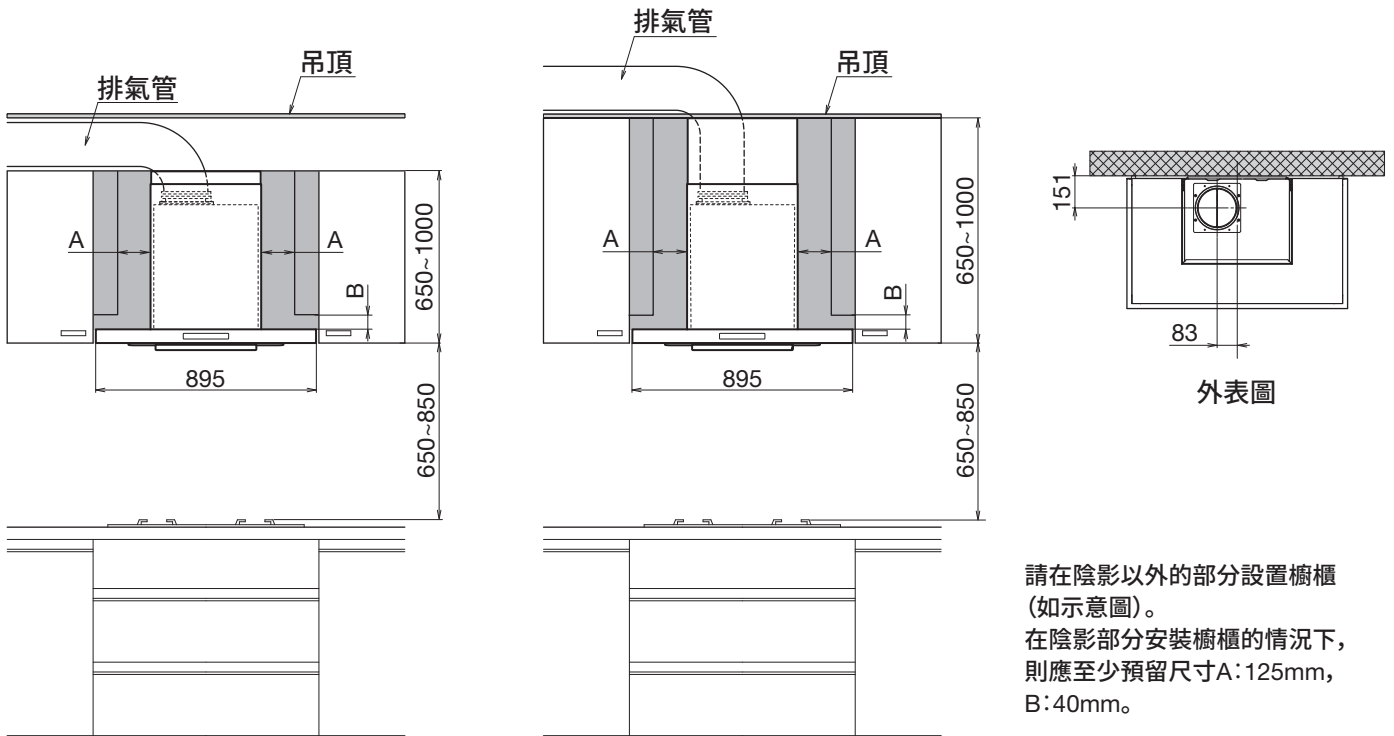
該吸油煙機使用三相電源插頭。  
務必使用吸油煙機專用的牆壁插座。

### 檢查附件

從包裝盒中取出主機和附件（排氣口、下裝飾喉通等），檢查附件是否齊全。



## 確認安裝位置 (單位：mm)



安  
裝

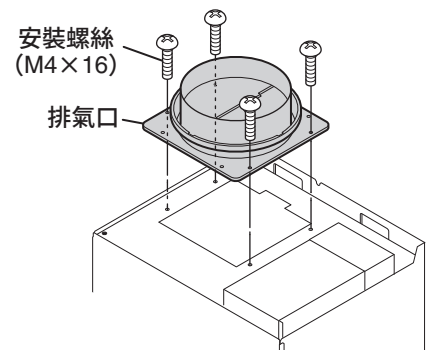
請在陰影以外的部分設置櫥櫃 (如示意圖)。  
在陰影部分安裝櫥櫃的情況下，則應至少預留尺寸A:125mm, B:40mm。

## 安裝排氣口

參考右圖，將排氣口的孔對準吸油煙機頂部的螺絲孔，再用 4 顆安裝螺絲 (M4×16) 加以固定。

### 注意

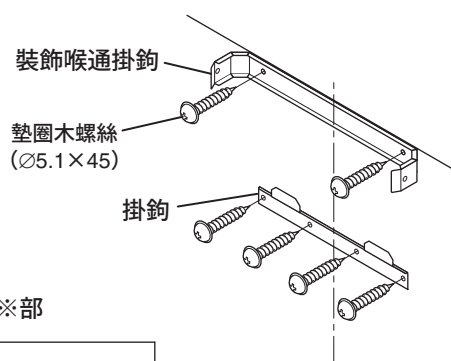
安裝排氣口時，應注意活門片的開啟方向。  
如果安裝有誤，可能會造成排氣不暢、異常噪音等。



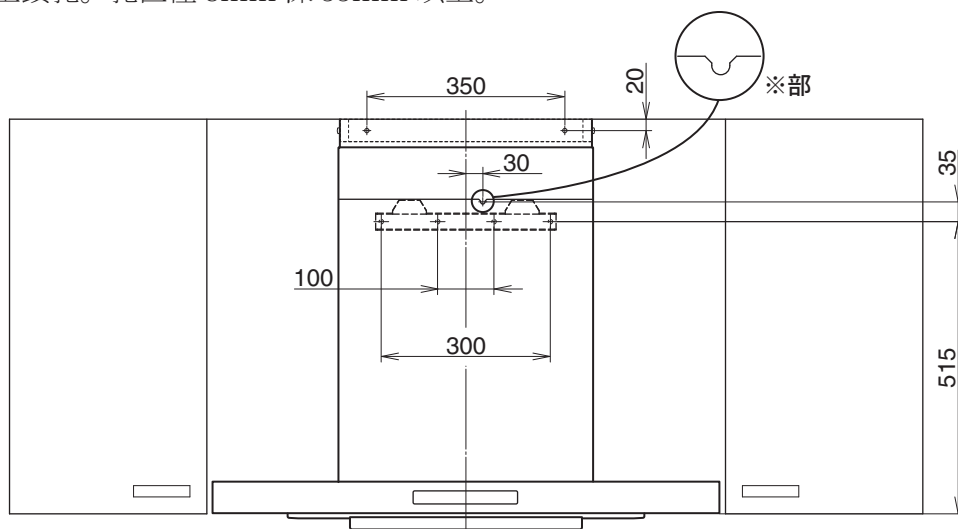
# 安裝吸油煙機

- 1) 墊圈木螺絲 (Ø5.1×45) 6 根 (參考下圖) 將掛鉤及裝飾喉通掛鉤固定在牆面。

※ 如果您使用塑料膨脹管, 請配合用 Ø8mm 規格鑽頭在牆上鑽孔。孔直徑 8mm 深 55mm 以上。



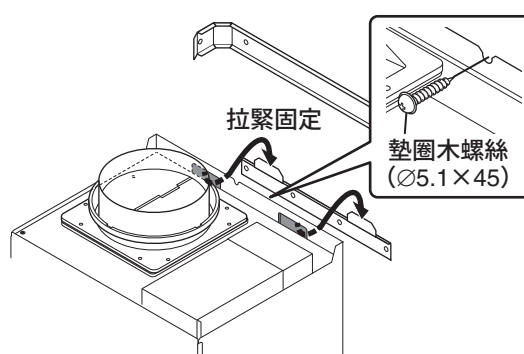
## 安裝



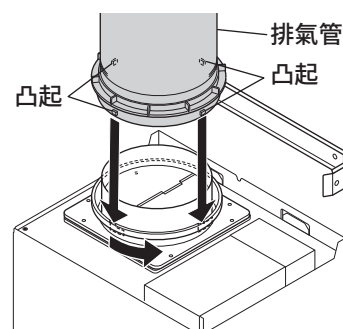
- 2) 將產品掛在掛鉤上。

- 3) 為避免產品從掛鉤上脫落, 請在 ※ 部 (參考上圖) 用 1 根墊圈木螺絲 (Ø5.1×45) 固定。

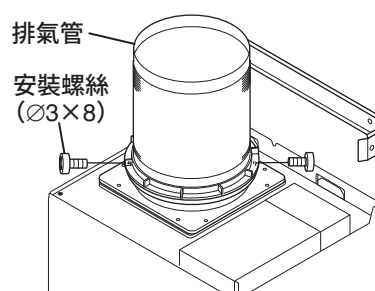
※ 如果您使用塑料膨脹管, 也請同上述操作一樣在牆面上固定墊圈木螺絲。



- 4) 將排氣管的 4 個凸起對準排氣口的凸起、插入, 按逆時針方向略轉動。



- 5) 用 2 個 (φ3×8) 的螺絲固定排氣口與排氣管。



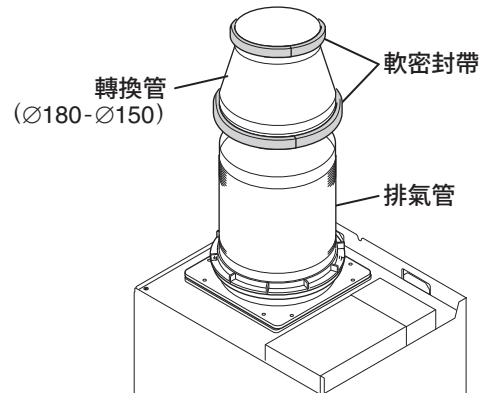
- 6) 請確保斷電器的開關在“關”的位置, 其後將電源插入插座中。

### 注意

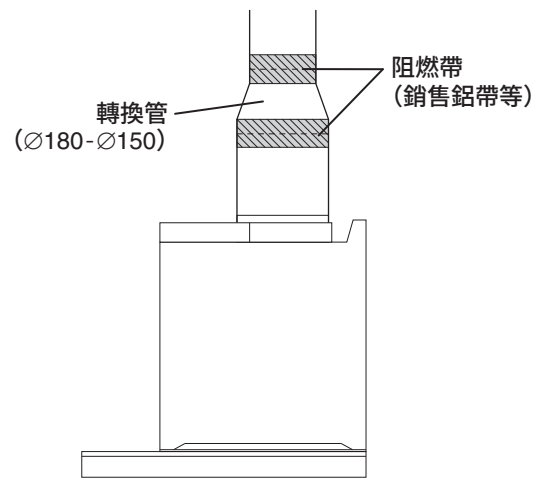
- 當您插入電源插頭, 請務必關掉配電盤的斷路器。
- 請盡量縮短排氣管的長度。並且請注意不要有凹陷等變形。

## (僅限 FR-ST2190VP-15)

1) 轉換管 (Ø180-Ø150) 的上端與下端分別粘貼軟密封帶再與排氣管連接。

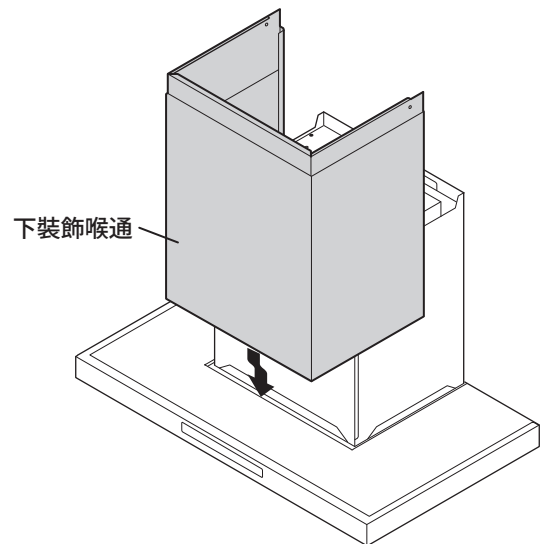


2) 使用阻燃帶 (一般市場銷售鋁帶等), 把排氣管與轉換管、轉換管與排氣軟管的各連接部完全密封、不留絲毫縫隙。

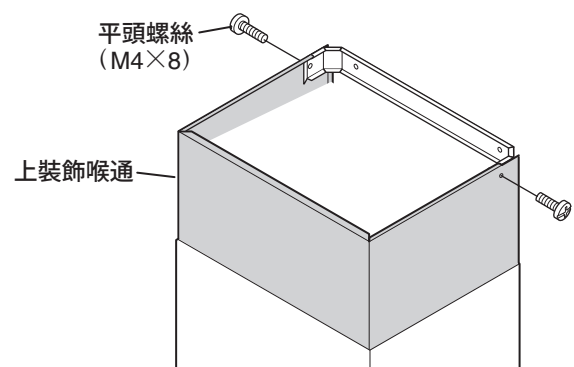


7) 使下裝飾喉通嵌入到吸油煙機頂面的溝槽內。

※ 安裝時注意不要損傷本產品。

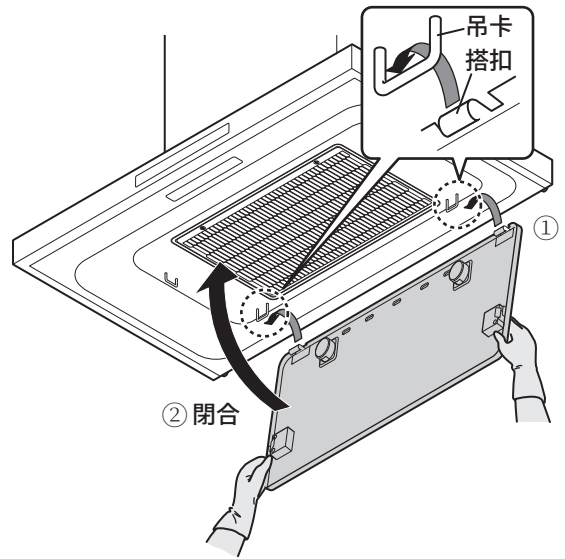


8) 將上裝飾喉通滑至上方, 掛在裝飾喉通掛鉤上, 用 2 根平頭螺絲 (M4×8) 從其側方固定。



## 安 裝

9) 將整流板後端的左右掛扣部確實吊掛在吸油煙機的吊環部 (①)。

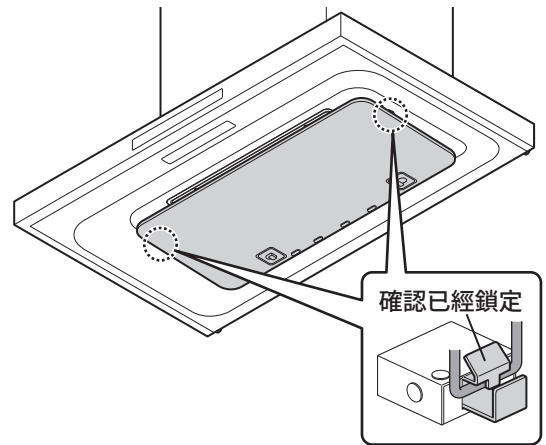


10) 雙手一邊撐住整流板、一邊向上舉起前端直到發出“咔嚓”聲、將其固定 (②)。

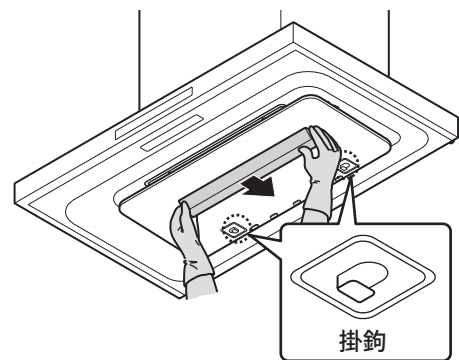
11) 安裝後，上下拉動一下整流板、確認其不會脫落。

### 注意

為避免因鎖定不足而引發的組件脫落，請務必確認整流板已穩妥固定。



12) 將油杯安裝在整流板上。  
將油杯的 2 處凸出部對準整流板的安裝孔插入，  
向後滑動、固定。



## 運行檢查

將分電盤撥至“開”的位置，進行試運行。如何操作按鍵與確認運轉狀態請參考第 46～47 頁。

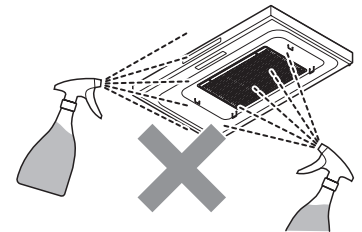
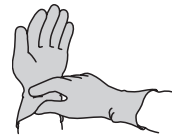
- 測試吸油煙機運轉時，各檔風扇是否正常工作。
- 是否發出異常噪音及異常振動。

# ■ 維修

由於吸油煙機很容易附著油污，因此應經常清潔吸油煙機（尤其是過濾網，應至少每月清潔一次。對於每天做兩頓飯以上的家庭而言，應至少每兩週清潔一次過濾網。）。如果吸油煙機長時間不清潔，將會積聚大量油污，形成很難去除的油脂硬塊。油杯、吸油煙機四周、整流板如果有油污時，請每次及時清洗。（清洗標準：約每月一次）

## 維修注意事項

- 清潔吸油煙機前，務必從插座上拔出電源插頭，或關閉斷電器。
- 為安全起見，清潔過濾網等零件時，應始終戴好橡膠手套。
- 尤其應小心，防止將水潑到電機、開關、接插件之類的電氣零件上。請勿在電氣零件上噴灑任何類型的洗滌溶液。否則會造成故障。



- 請勿用諸如稀釋劑之類的溶劑、汽油、拋光粉等清潔塗層表面、油面板等，否則會使這些部分失去光澤或造成刮痕。
- 請勿用硬毛刷之類的物品擦洗各零件，否則會使零件受損。
- 如果不按照說明書規定方法清洗，吸油煙機有起火的危險。

## 分離／安裝要清洗配件

請按照與拆卸時相反的步驟對各個零件進行安裝。

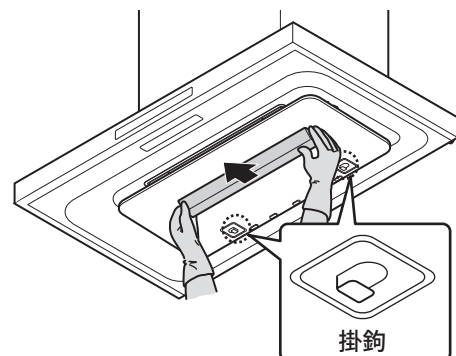
### 卸下油杯

為避免油杯中的油溢出，請保持其水平態從機體的鉤子上卸下。

安裝時請將油杯掛在掛鉤上，並推至機體的最深處。

#### 注意

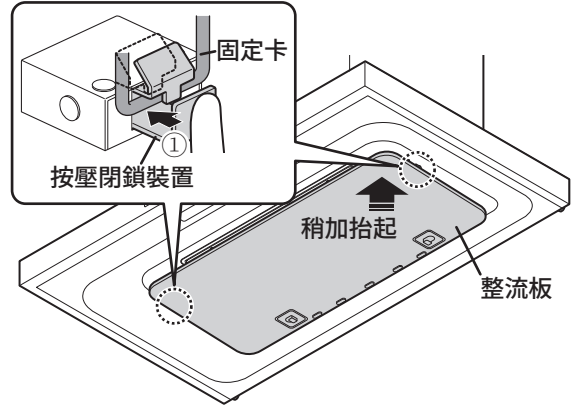
根據您使用狀況的不同，會有無集油現象發生，並非異常。



# 整流板

## ■卸 下

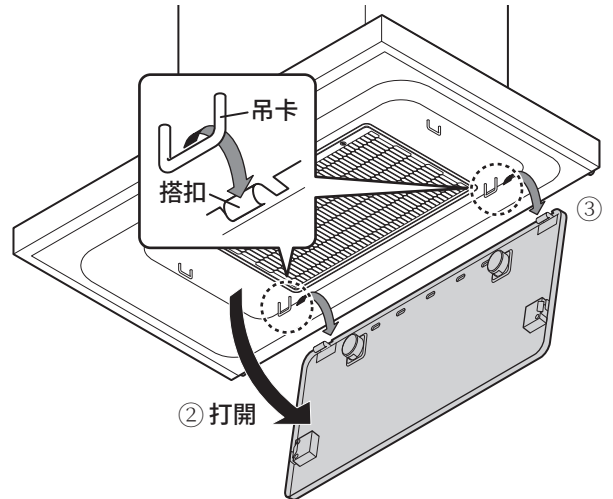
1) 用雙手撐住整流板，稍微向上推壓、按壓整流板左右處的鎖扣、卸下 (①)。



2) 用雙手撐住整流板、同時慢慢地將其卸下 (②)。

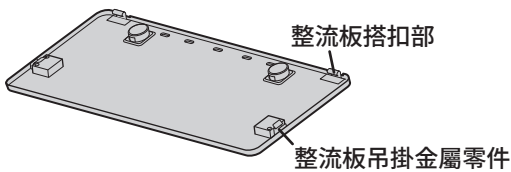
3) 在右下圖所示位置舉起整流板後端，從吸油煙機吊環部卸下 (③)。

※ 請一定同時卸下左右 2 處。否則會造成金屬零件變形。



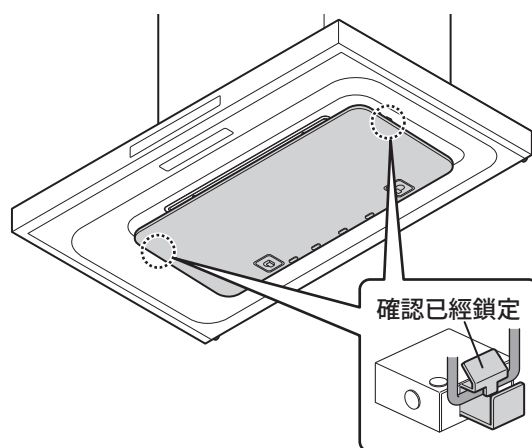
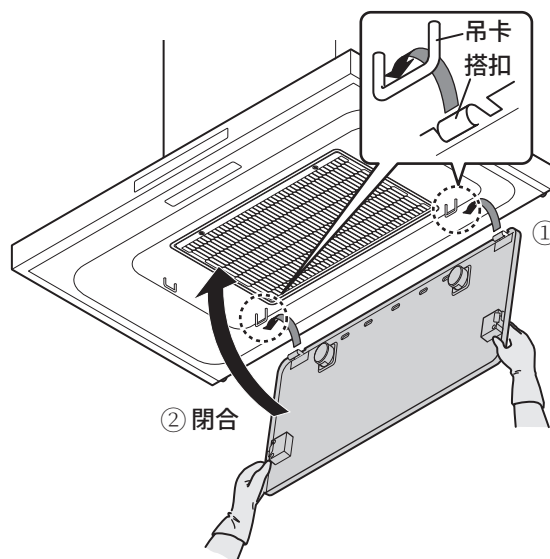
### 注意

- 卸下時整流板上有可能有油積存，請注意油污滴落。
- 清潔整流板時，注意不要使整流板搭扣部及整流板吊掛金屬零件變形。如果變形，可能導致整流板不能再次安裝。



## ■安裝

- 1) 將整流板後端的左右掛扣部確實吊掛在吸油煙機的吊環部 (①)。
  - 2) 雙手一邊撐住整流板、一邊向上舉起前端直到發出“咔嚓”聲、將其固定 (②)。
- 安裝後，上下拉動一下整流板、確認其不會脫落。



### 注意

為避免因鎖定不足而引發的組件脫落，請務必確認整流板已穩妥固定。

## 清潔

### 油杯、吸油煙機四周、過濾網、整流板

將浸有中性洗滌劑的擦布擰乾，用其擦拭吸油煙機的四周和整流板，洗淨後，請使用濕布仔細擦淨以避免洗滌劑的殘留、最後再用乾布認真擦淨水漬。

### 注意

應在平坦的表面清潔整流板，以免發生變形。



# 其他資訊

## 規格

### FR-ST2190VP

額定電壓 (V)	檔位	額定頻率 (Hz)	耗電功率 (W)	風量 (m <sup>3</sup> /h)	噪音 (dB)
220	爆炒	50	295	1200	55
	高檔	50	260	1080	52
	中檔	50	165	840	46
	低檔	50	105	600	39
240	爆炒	50	350	1300	56
	高檔	50	280	1180	53
	中檔	50	190	900	47
	低檔	50	125	680	40

\* 消耗功率含照明燈 3.5W

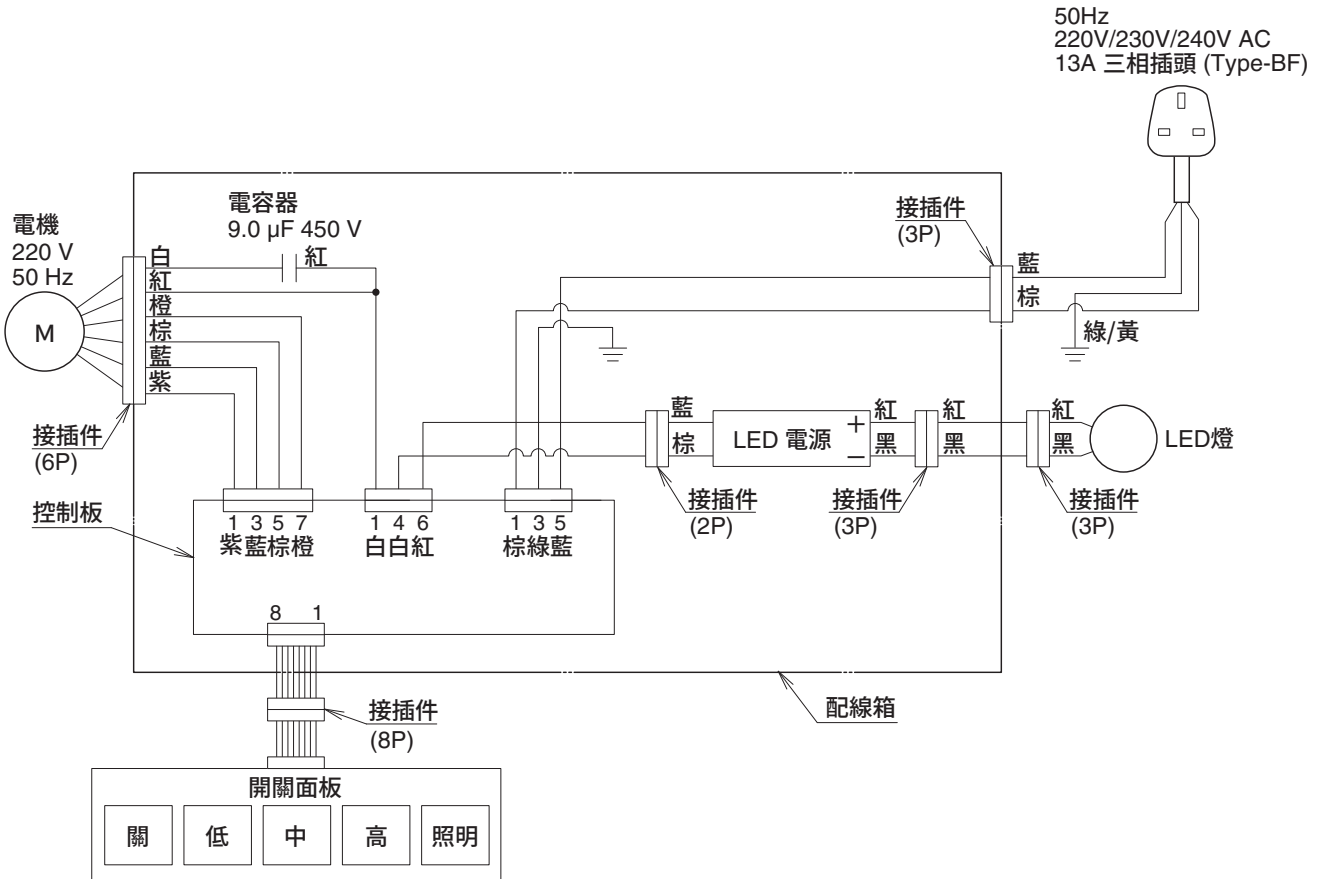
### FR-ST2190VP-15

額定電壓 (V)	檔位	額定頻率 (Hz)	耗電功率 (W)	風量 (m <sup>3</sup> /h)	噪音 (dB)
220	爆炒	50	290	1150	53
	高檔	50	235	1040	50
	中檔	50	165	820	44
	低檔	50	105	600	36

\* 消耗功率含照明燈 3.5W



# 電路圖



其他資訊

## 維修和保養

申請維修：

在操作過程中如果發生異常，應立即關掉吸油煙機進行檢查：

- 1) 保險絲是否熔斷了？
- 2) 電源插頭與插座的連接是否正確？

若確認不是上述問題，請立即拔出電源插頭，與當初購買本機時的銷售商聯繫。與銷售商聯繫時，需說明產品型號及購買日期。

5  
years

- 本型號機停止生產後仍可提供維修所需性能零件的最低保證期為 5 年。

### 其他資訊

性能零件是指維持吸油煙機正常使用功能所必需的基本零件。

對於相同類型可互換零件的提供保證期可再延長 4 年。

在對使用不產生影響的前提下，我們將按照您的要求選用這些零件進行維修。

- 為提高吸油煙機性能，有可能在不預先通知的情況下進行產品零件的更新。

# 備忘

全球網站

[www.fujioh.com](http://www.fujioh.com)

**FUJIOH INTERNATIONAL TRADING PTE. LTD.**

**東南亞地區總部**

3014A Ubi Road 1 #06-04, Singapore 408703

Tel : (65) 6286 3286 Fax : (65) 6285 3285

E-mail : [fit@fujioh.com.sg](mailto:fit@fujioh.com.sg)