

Mark	Revised record	Date
△		

### Specifications

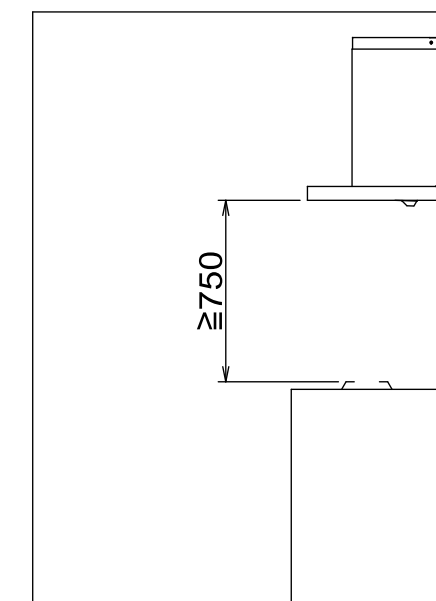
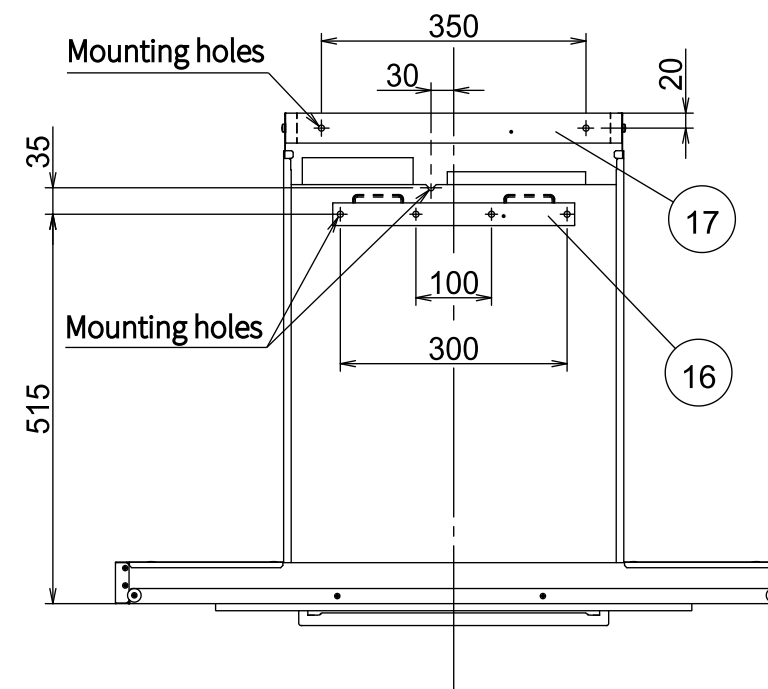
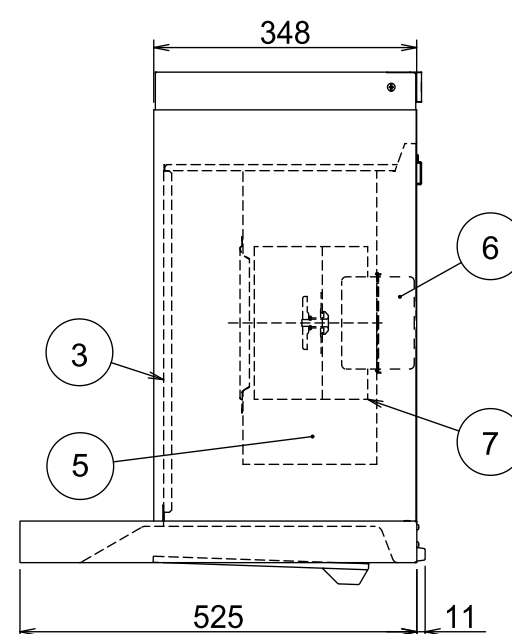
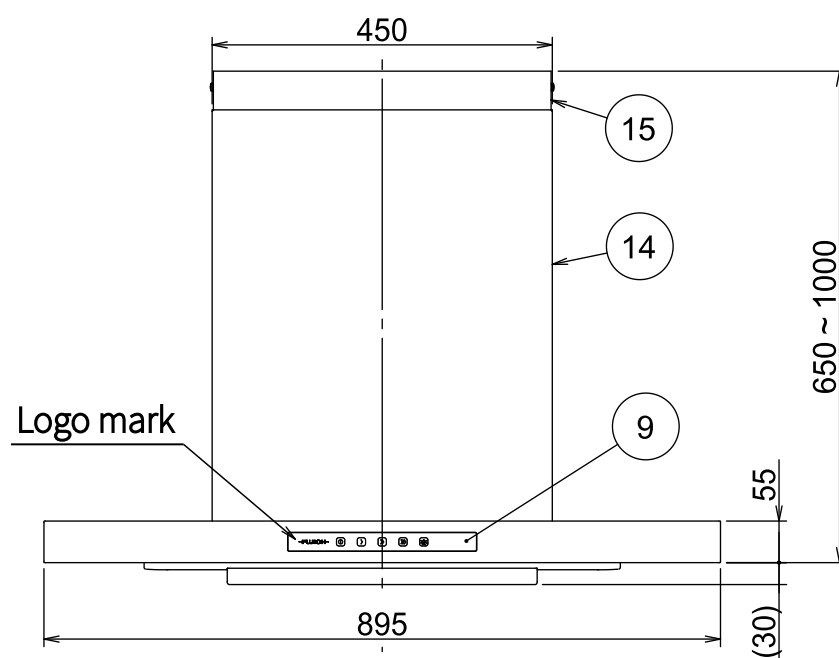
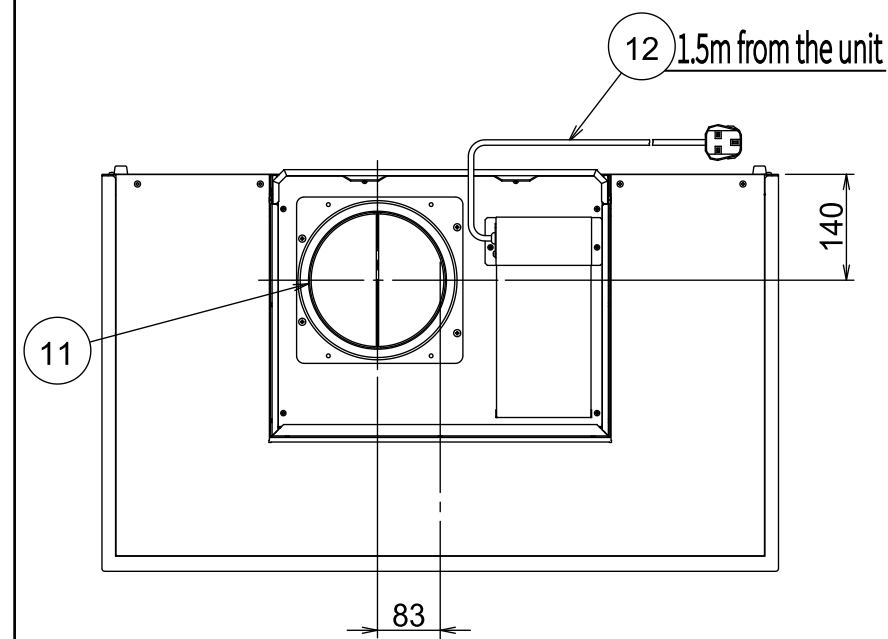
Model	Voltage (V)	Frequency (Hz)	Speed	Power Consumption (W)	Airflow (m³/h)		Sound (dB)	Weight (kg)
					0 Pa			
FR-ST2190VP	220	50	Boost	295	1200	—	55	31
			Hi	260	1080	—	52	
			Mid	165	840	—	46	
			Low	105	600	—	39	
	240	50	Boost	350	1300	—	56	
			Hi	280	1180	—	53	
			Mid	190	900	—	47	
			Low	125	680	—	40	

Motor type	4 pole capacitor motor	Insulation resistance	Over 10MΩ (500V megger)	Withstanding voltage	AC1000V for 1 min	Insulation class	B
------------	------------------------	-----------------------	-------------------------	----------------------	-------------------	------------------	---

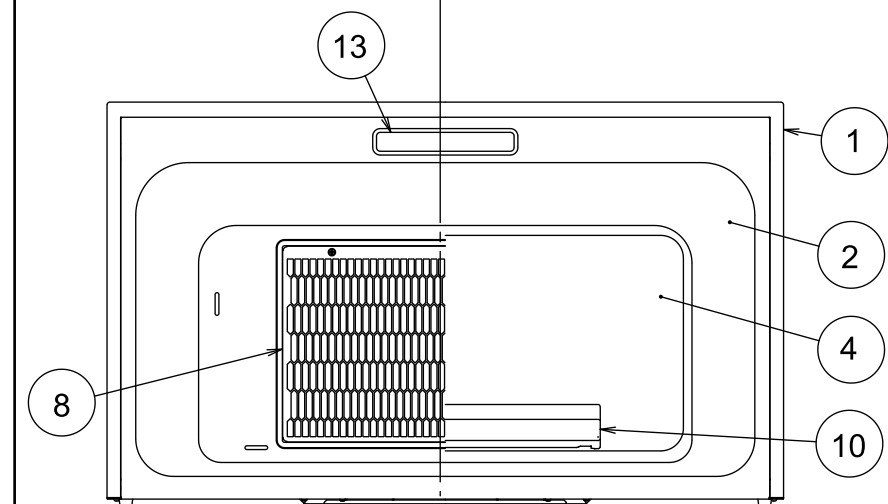
Airflow measured by JIS C9603 chamber method.

### Major Parts

No.	Parts	Material	Finish	Color
1	Hood body	Galvanized steel	Oil repellent coating	Refer to column
2	Oil panel	Stainless steel	No 4 finish	
3	Blower unit	Galvanized steel		
4	Rectifier baffle panel	Stainless steel	No 4 finish	
5	Casing	Galvanized steel	Oil repellent coating	Black
6	Motor	4 Pole AC capacitor motor, class B		
7	Fan	Galvanized steel	Super kirei coating	Clear
8	Guard	Galvanized steel	Oil repellent coating	Black
9	Switch	Electro static switch control Operation ON/OFF, Air flow(Low/Mid/Hi/Boost), Lamp		
10	Oil tray	Rosin		*Accessories
11	Exhaust outlet	Rosin	With counterwind shutter	*Accessories
12	Power supply cord	Cable round cord 0.75mm² (plug with 2-pole grounding)		
13	Lighting	LED(Day white color, 3.5W)		
14	Duct cover	Galvanized steel	Oil repellent coating	Refer to column
15	Slide duct cover	Galvanized steel	Oil repellent coating	Refer to column
16	Hanging bracket	Galvanized steel		*Accessories
17	Duct cover fixing bracket	Galvanized steel		*Accessories



Standard Installation



Accessories	
Washer-head wood screw(φ5.1×45)	--- 7pcs
Plug anchor	--- 7pcs
Installation screw(φ3×8)	--- 2pcs
Installation screw(M4×16)	--- 4pcs
Flat-head screw(M4×8)	--- 2pcs
Plastic flexible duct (Up to 1.5m)	--- 1pcs

FR-ST2190VP XW	1F9113HW	Oil Repellent Texture White	---
FR-ST2190VP XBK	1F9113HB	Oil Repellent Texture Black	---
FR-ST2190VP SV	1F9113AC	MD Silver	---
Model	Product code	Color	Note
Created date	13/12/2021	Product category	Cooker Hood
Updated date	**/**/****	Model	FR-ST2190VP
FUJI INDUSTRIAL CO., LTD.	Scale	1/10	Product outline drawing