

-FUJIOH-

NEW!

MASTER EVERY DISH IN JUST ONE TOUCH

FV-ML71 Built-in Combi Steam Oven

Experience the ease of cooking with 32 intelligent auto cook menus & 10 cooking functions in just one touch.



Steam



Grill



Auto Cooking



COLOR



Full Glass Design



Triple Layered Glass



SUS 304 Cavity



Built-In Water Tank



Touch Switch



Safety Child Lock



Accessories



45L Cavity Capacity

Steam and Bake. Enjoy The Versatility In One.

Cook anything your heart desires, effortlessly. With the FV-ML71's large capacity, you could be the very best chef, right in your own home. It comes with steam and grill multifunction, making it easy to steam, bake, roast, grill and more.

Its black glass panel and handle with refined lines are part of its sleek finishing that blends in seamlessly with a variety of kitchen elements, bringing out the best in all kitchen features and designs. Sophisticated in design and strong in performance, it is the standout addition to any modern kitchen.

- Steam & Grill Multifunction
- Smart & Quick Auto Menus
- TFT Color Display Touch Control
- Sleek & Sophisticated Design
- Triple Layered Door
- Durable Stainless Steel Cavity



Learn More:

FV-ML71

Built-in Combi Steam Oven

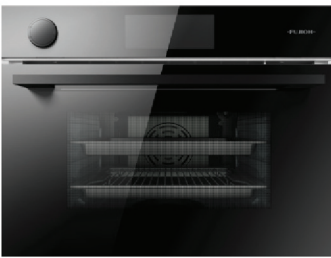


1 YEAR MICROWAVE OVEN LIMITED WARRANTY*

FUNCTION

-  Fan Forced Heating
-  Half Grill + Fan Forced Heating
-  Full Grill + Fan
-  Defrost
-  Full Grill
-  Top Heat
-  Half Grill
-  Steam + Fan Forced Heating
-  Half Grill + Fan
-  Steam + Full Grill + Fan

SPECIFICATIONS



Multifunction Oven
Steam + Bake Functions

Capacity [L]
45

Rated Power Consumption [W]
2200

Temperature Range [°C]
35-110 (Steam), 35-250 (Grill)

Display & Switch
TFT Color Display + Touch Control

Gross Dimension [mm]
W597 x D480 x H454

Cut-out Dimension [mm]
W560 x D550 x H450

RCP WM RM5,598 EM RM5,798

ADVANCED FUNCTIONS



01/
32 Auto Cook Menus



02/
10 Cooking Functions



03/
Triple Layered
Glass Door



04/
SUS 304 Cavity



05/
Easy Water
Withdrawal

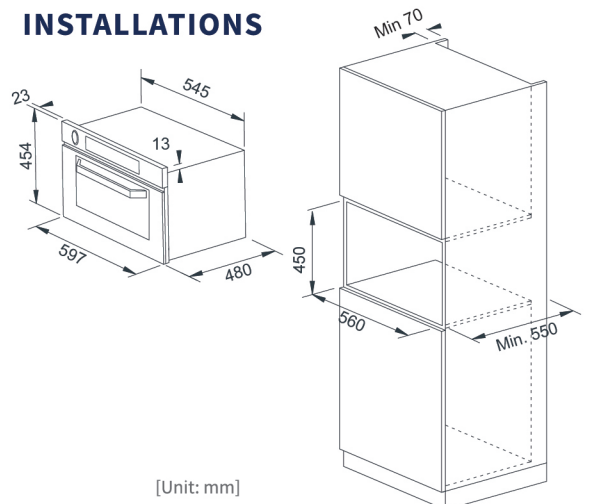
ACCESSORIES



Baking Accessories Set with
2 Trays & Wire Rack

Drawings for illustrative purposes only.

INSTALLATIONS



* Warranty terms and conditions apply.