

-FUJIOH-

Cooker Hood Instruction Manual

Website
www.fujioh.com/my

FUJIOH MARKETING MALAYSIA SDN. BHD.

23, Jalan Serendah 26/39, Section 26, 40400
Shah Alam, Selangor, Malaysia

Telephone: +603- 5103-6826

E-mail: enquiry@fujioh.my

Rev1 2022

FR-SD2290V

Please read this manual carefully
before using this appliance.

Contents

Warning	2
Caution	2
Safety warning	3
Packing list	4
Product structure schematic	5
Outline dimension	5
Installation guide	6
Control panel operation	11
Troubleshooting	12
Maintenance	13
Electrical schematic diagram	15
Specifications	15

Warning

- This appliance is not intended for use by persons (including children) with reduced physical, sensory or mental capabilities, or lack of experience and knowledge, unless they have been given supervision or instruction concerning use of the appliance by a person responsible for their safety. Children shall not play with the appliance. Cleaning and user maintenance shall not be made by children without supervision. If the supply cord is damaged, it must be replaced by the manufacturer, its service agent or similarly qualified persons in order to avoid a hazard.
- There shall be adequate ventilation of the room when the cooker hood is used at the same time as appliances such as burning gas or other fuels.
- Please do not use corrosive detergent for cleaning. The proper function of the unit is conditioned by the regularity of the maintenance.
- To protect the main body from corrosive formed by the long time accumulation of dirt, the cooker hood should be cleaned with hot water with non-corrosive detergent in every two months.
- There is a fire risk if cleaning is not carried out in accordance with the instructions.
- Do not flame under the cooker hood.
- The air must not be discharged into a flue that is used for exhausting fumes from appliances such as burning gas or other fuels.
- The minimum distance between the top most part of the cooking appliance such as gas hob and the lowest part of the cooker hood, when it is located exactly over the cooking appliance, shall be at least 300mm. If greater distance is specified in the manual of the cooking appliance, it must be taken into account.
- Regulations concerning the discharge of air must be fulfilled.

Caution

- Accessible parts may become hot when used with cooking appliances.
- This hood is an external exhaust type cooker hood, and the gas the cooker hood machine should not be discharged into the hot flue gas used for the discharge of smoke produced through burning gas or other fuel.
- If the cooker hood is installed above the gas stove, the distance from the bottom of the body to the focal plane is at least 300mm, which should be considered if the installation instructions of gas-fired stoves provide a larger installation distance.
- It is strictly forbidden to modify the product without authorization, and the power cord shall not be replaced or modified by itself.
- Please do not install the cooker hood machine on the wall of flammable material.
- Do not install the cooker hood machine on the top of the stove with solid fuel.
- When drilling holes in the wall, avoid electrical wires embedded in the wall to avoid electric shock hazard.
- A special power supply socket shall be used for the cooker hood machine, and the special power outlet should be reliably grounded (the product must use 10A, 220~V or above).
- The wall shall have sufficient supporting strength for the installation of the cooker hood machine. The hollow core of the wall shall be greater than 30mm, and the concrete wall can be directly punched and installed. The product must be securely mounted on the wall.
- The cooker hood may have very sharp edges. Please wear protective gloves when you install or clean the cooker hood.
- If your kitchen is under a state of decoration, do not use cooker hood exposed, for building materials, dust, paint, coatings and their volatile gas cooker hood surface causes corrosion and lose luster, please install cooker hood in after the decoration.

Safety warning

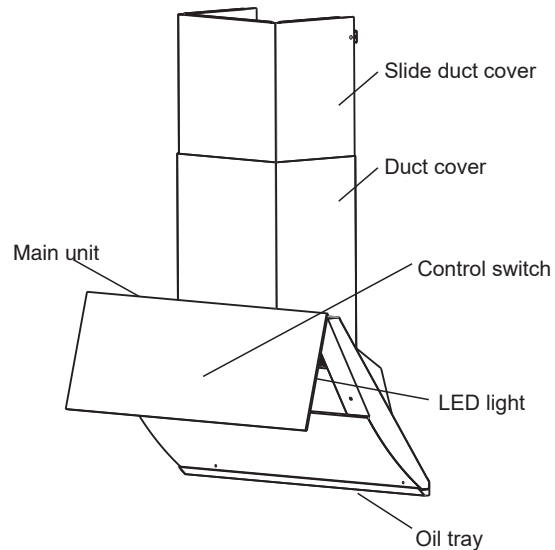
- The appliance is not intended for use by young children or infirm persons without supervisions.
- Young children should be supervised to ensure they do not play with the appliance.
- Plug the power cord to socket outlet with earthing continuity terminal.
- The cooker hood is for home use only, not suitable for barbecue, roast shop and other commercial purposes.
- The cooker hood and its filter should be cleaned regularly according to the instruction.
- Do not use open flame, or allow flame to go beneath the appliance.
- Please ensure that there is an adequate ventilation in the room while the cooker hood is in operation.
- Please ensure that the power plug is disconnected from the socket or turn off the breaker before cleaning or maintaining the hood.
- If the supply cord is damaged, it must be replaced by the manufacturer, service agent or similarly qualified person in order to avoid a hazard. The replaced power cord should be provided by manufacturer or seller.
- There is a fire risk if cleaning is not carried out in accordance to the instruction.
- In case of damaged connecting wire, please refer to the manufacturer, after-sale service personnel or other qualified technicians.
- Use the product according to the instructions to avoid any fire hazard.
- The exhaust air must not be introduced into a smoke flue or chimney that is used for exhausting fumes from appliances such as burning gas.
- Follow the local laws applicable for external air evacuation.

Packing list

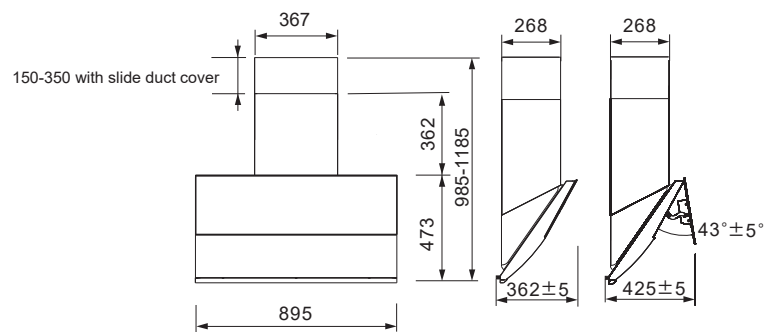
The following product components are attached to the product package. Please check them after opening. If they are not complete, please contact the service center or dealers.

No.	Name	Quantity
1	Main unit	1 pcs
2	Hanging bracket	1 pcs
3	Exhaust outlet	1 pcs
4	Flexible Tube Duct	1 pcs
5	Plastic expansion pipe(Φ10)	7 pcs
6	Wood screw(ST5x50)	7 pcs
7	Screw(ST4x10)	2 pcs
8	Screw(M4x10)	2 pcs
9	Slide duct cover fixing sheet	2 pcs
10	Instruction Manual	1 pcs
11	Pressing plate	1 pcs
12	Oil tray	1 pcs
13	Slide duct cover fixing bracket	1 pcs
14	Slide duct cover	1 pcs

Product structure schematic



Outline dimension

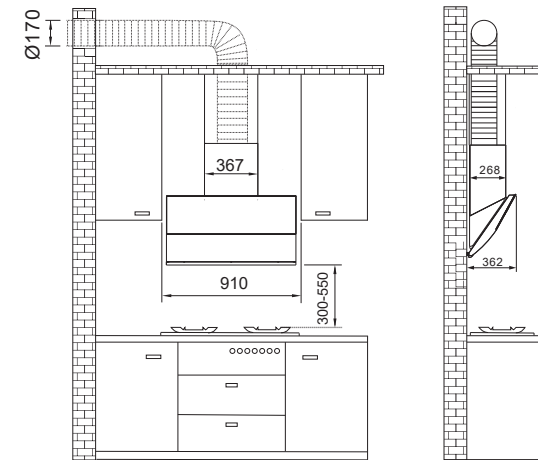


Unit:mm

Installation guide

To determine the location (unit: mm)

The range hood machine should be installed horizontally and above the cooker. The installation diagram is as follows.



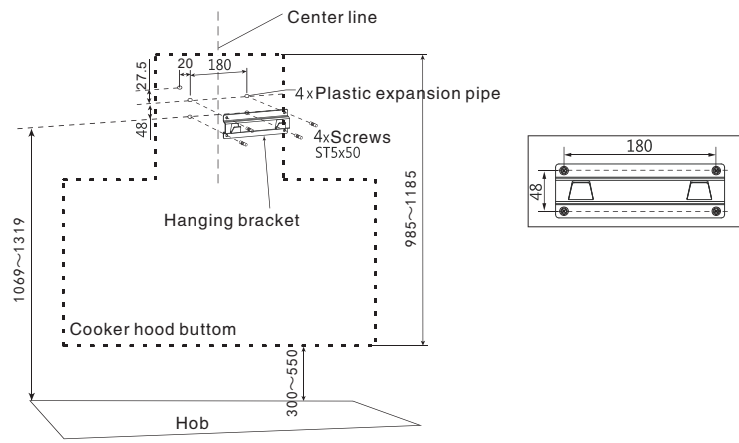
Installation precautions

- After installation of the cooker hood, the left and right level should be maintained.
- Should avoid excessive windows and air convection in the vicinity of the cooker hood, otherwise it will affect the efficiency of the cooker hood.
- Exhaust pipe requirements.
- The exit of the exhaust pipe should not be too long.

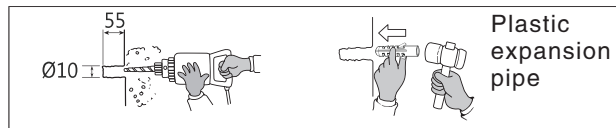
Cooker hood installation(unit: mm)

1. Mark the mounting position of the hanging bracket according to the instructions below.

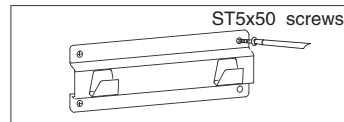
Make sure that the screws are symmetrical on both sides of the center line with a horizontal distance of 180mm and a vertical distance of 48mm.



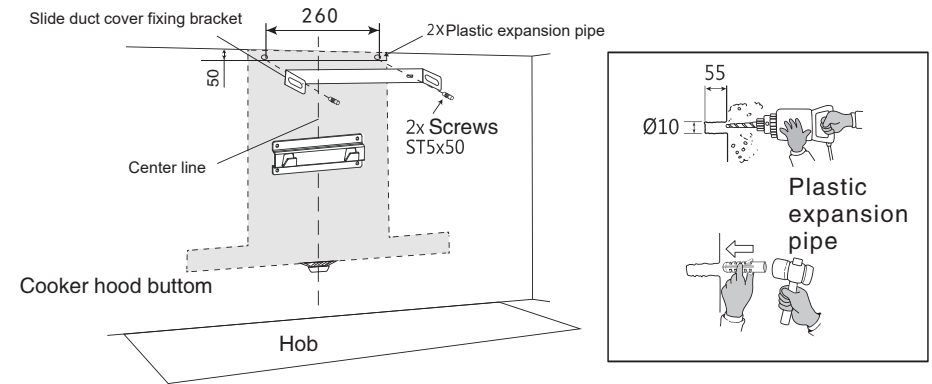
2. Drill holes with 10mm diameter and 55mm depth on the 4 screw positions marked, insert the plastic expansion pipe into the hole.



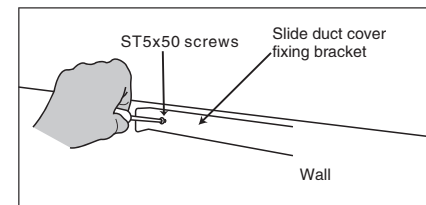
3. First fix the hanging bracket with 4 pcs ST5x50 screws.



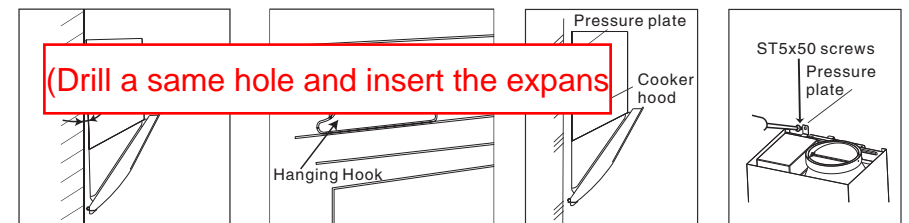
4. Adjust slide duct cover (if necessary) to a suitable height (the screw hole for the slide duct cover fixing bracket is 20mm from the top of the cabinet), mark the position of 2 screws on the wall, then drill 2 holes with 10mm diameter and 55mm depth, insert the plastic expansion pipes into the hole.



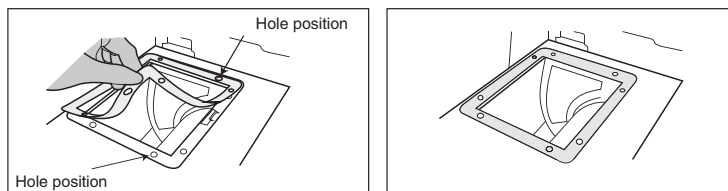
5. Use 2 ST5x50 screws to attach the slide duct cover fixing bracket to the wall.



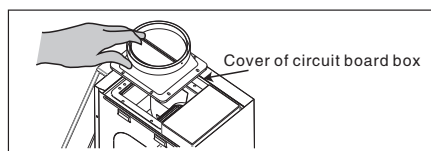
6. Install the main unit on the wall. The main unit and the wall should be tilted 1° to 2°, so that the hook of the main unit hanging bracket can be fully inserted and hung into the main unit slot. After hanging the cooker hood, please check the horizontal and ensure that the main unit is completely flat with the wall. Use another ST5x50 screw to fix the pressure plate on the upper part of the cooker hood (drill a same hole and insert the expansion pipe as shown in step No.2). Avoid moving or dropping at running time.



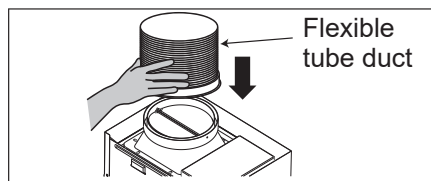
7. Place gasket at exhaust outlet (may need to remove screws in advance) as shown below. Make sure the gaskets are aligned correctly. This step can be prepared in advance depending on the installation space.



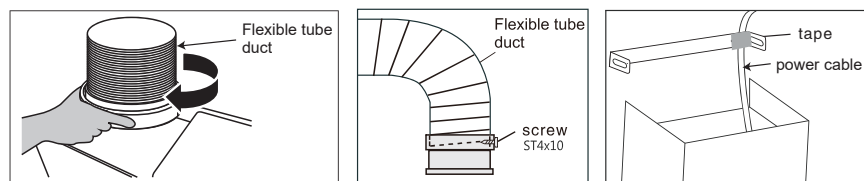
8. Place the exhaust outlet assembly on the gasket. Make sure the exhaust outlet assembly does not interfere with the circuit board. Secure check assembly to main unit using set screws to ensure seal.



9. Insert flexible tube duct into exhaust outlet assembly.



10. Tighten the screws to fix the flexible tube duct to avoid loosening during operation of the cooker hood, and then wrap it tightly with tin aluminum tape to prevent the leakage of the smoke and greasy dirt. Use tape to fix the power cord as shown.



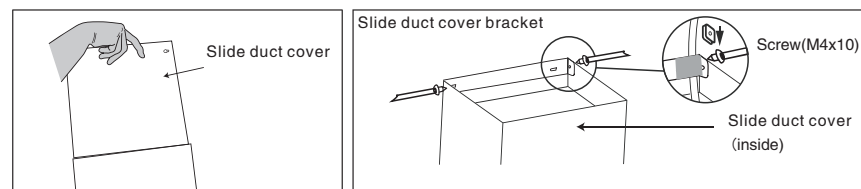
⚠ Warning

Do not connect the power cable to the surface of the flexible tube duct. Otherwise, fire or electric shock may occur.

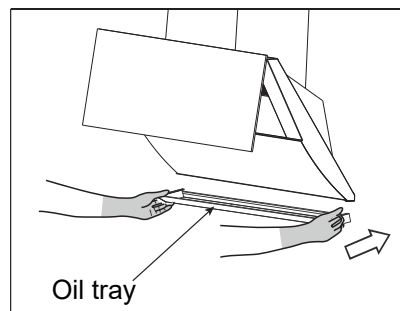
⚠ Note

Ensure that the installation screws are tightened, otherwise, the fume may leak. The flexible tube duct is properly stretched and led to outdoor with bending as little as possible (generally one bending). The bending angle must be bigger than 120°, to avoid right-angle. The end of flexible tube duct should be a little lower to prevent greasy dirt reflux.

11. To install the slide duct cover, please pull up the slide duct cover from the main unit of the cooker hood, and fix the slide duct cover and the bracket with the fixing screw set. Please do not let the screw touch the power cord when fixing.



12. Hold the bottom end of the oil tray with both hands and place the oil tray horizontally. Insert the oil tray into the holder and push the oil tray back to the oil tray stents.



Control panel operation



Power



Timer



Low



High



Heat Clean



Light



Power

Press "Power" button will start operation at F02 and open the glass panel. The screen displays time when first power on. It will turn to standby if there is no operation within 3mins.



Timer

Press "Timer" button at any speed will start 3mins delay. Then press "High"/"Low" button will cancel timer and change the speed. Long press "Timer" in standby state to set time. When the hour area flashes, press "High"/"Low" to change the number. Press "Timer" again to change the minute area. Press "Timer" again will finish setting and return to standby.



Low

Press "Low" button to lower speed. Speed can be changed among F01、 F02、 F03、 F04(boost). Press "Low" at F04 will return to F03.



High

Press "High" button to raise speed. Long press "High" at F03 to change to F04(boost). It will return to F03 after 1 minute.



Heat Clean

Long press "Heat clean" button for 3s in standby state to start heat clean. The button will flash and screen will display 30 minutes count down. The process is 10mins heating→5mins F01 running→10mins heating→5mins F01 running. When finished, the cooker hood will turn off.



Light

Light is not under control of "Power" button. Press "Light" button in stanby state will turn on light and open the glass panel. Turn off "Light" button will turn off light and the glass panel. When "Light" and "Power" are both on, press "Power" will not turn off light and the glass panel.

TROUBLESHOOTING

Fault	Possible Cause	Solution
Light on, but motor does not work.	Fan switch turned off.	Select a fan switch position.
	Fan switch failed.	Contact service center.
	Motor failed.	Contact service center.
Light does not work, motor does not work.	House fuses blown.	Contact service center.
	Mains power cable is loose or disconnected.	Contact service center.
Oil leakage.	One way valve and the outlet are not tightly sealed.	Contact service center.
	Leakage from the connection of chimney and cover.	Contact service center.
Lights does not work.	Broken or faulty bulbs.	Contact service center.
Insufficient suction.	The distance between the cooker hood and the gas top is too far.	Contact service center.
The Cooker hood inclines.	The fixing screw is not tight enough.	Contact service center.



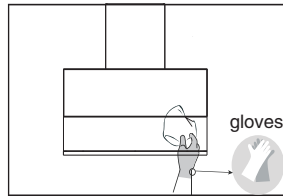
NOTE:

Any electrical repairs to this appliance must conform to your local, state and federal laws. Please contact the service centre if in any doubt before undertaking any of the above actions. Always disconnect the unit from the power source when opening the unit.

Maintenance

Daily cleaning

This product must be cleaned and maintained frequently for optimal operating performance and longer service life.



It is recommended to clean all surfaces with a wet cloth (neutral detergent may be used) to maintain the appearance and hygiene of the product.

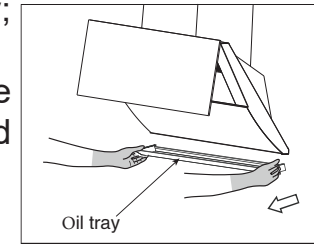
Point

1. The automatic clean function only cleans the oil of the casing inside the cooker hood, and does not directly clean the grease filter.

2. When cleaning the grease filter, do not use strong alkaline detergent. It is recommended to clean the grease filter at least once a month.

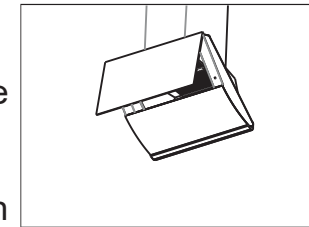
Oil tray cleaning

When the oil tray window in the oil tray is filled with oil, please clean it in time. The oil tray disassembly procedure is as follows: hold the lower part of the oil tray with both hands, and remove the oil tray horizontally; After cleaning, install the oil tray in reverse order. (Because the oil tray is long, please hold it firmly when the oil tray is removed so as not to spill the oil.)

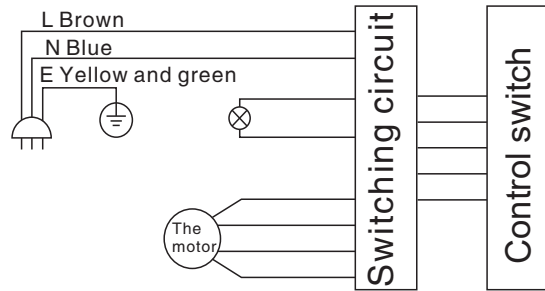


Monthly cleaning

Regularly clean the cooker hood surface with a neutral detergent and soft cloth. First turn on the fan to open the flap, then unplug the power cord. Clean the filter and internal surface with a wet cloth soaked in diluted neutral detergent. Wipe with dry clean cloth to dry the cleaned area.



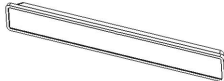
Electrical schematic diagram



Specifications

Rated voltage (v)	Speed	Power consumption (w)	Air flow (m ³ /h)	Sound (dB)
220	Boost	134	1020	54
	F3	108	955	52
	F2	54	750	46
	F1	30	605	41
230	Boost	134	1025	54
	F3	109	955	52
	F2	54	750	46
	F1	30	605	41
240	Boost	134	1025	54
	F3	109	955	52
	F2	54	750	46
	F1	30	605	41

LED light information

Square / Dimension:	Max Power	Voltage	Picture	Lamp Cap
170mm x 23mm	2W	12 V		--

使用本电器前，请仔细阅读本说明书。

FR-SD2290V

吸油烟机
使用说明书

FUJION-

目 录

警告	2
注意	2
安全警告	3
包装清单	4
产品结构示意图	4
外形尺寸	5
安装指南	5
控制面板操作	10
故障排除	11
维护	11
电气原理图	12
规格	13

网站

www.fujioh.com/my

FUJIOH MARKETING MALAYSIA SDN. BHD.

23, Jalan Serendah 26/39, Section 26, 40400

Shah Alam, Selangor, Malaysia

电话: +603-5103-6826


电子邮箱: enquiry@fujioh.my

2022年第1版

规格

额定电压 (V)	风速	功率 (W)	风量 (m³/h)	噪声 (dB)
220	爆炒	134	1020	54
	F3	108	955	52
	F2	54	750	46
	F1	30	605	41
230	爆炒	134	1025	54
	F3	109	955	52
	F2	54	750	46
	F1	30	605	41
240	爆炒	134	1025	54
	F3	109	955	52
	F2	54	750	46
	F1	30	605	41

LED 灯信息

面积/尺寸	最大功率	电压	图片	灯头
170 毫米 x 23 毫米	2W	12 V		--

警告

- 本电器不适用于体力、感官或心智能力欠缺或缺乏经验和知识的人 (包括儿童) 使用, 除非他们得到对其安全负责的人员的监督或指导, 可确保安全使用此电器。儿童不得玩耍本电器。清洁和维护不得由儿童在缺少监督的情况下进行。如果电源线损坏, 必须由制造商、其服务代理或类似的合格专业人士进行更换, 以避免危险。

- 当油烟机与燃烧气体或其他燃料的设备同时使用时, 室内应足够通风。
- 请勿使用腐蚀性清洁剂进行清洗。设备的正常运行取决于定期维护。
- 为保护主体不受长时间积累的污垢腐蚀, 油烟机应每两个月用热水加无腐蚀性清洁剂进行清洗。
- 如果不按照说明实施清洁, 将产生火灾风险。
- 切勿在油烟机下方点火。
- 烟气不得排放至用于排放其他废气的烟道, 例如烧气或其他燃料的设备所产生的废气。
- 当吸油烟机位于灶具正上方时, 灶具最顶部 (如煤气灶) 和吸油烟机最低部分之间的最小距离至少应为300毫米。如果灶具说明书中规定了更大的距离, 则必须予以考虑。
- 必须遵守排气相关的规定。

注意

- 使用灶具时可接触部件温度将升高。
- 本油烟机为外排式油烟机, 油烟机抽出的气体不应排放到热烟气中, 用于排放燃烧燃气或其他燃料产生的烟气。
- 如果吸油烟机安装在燃气灶上方, 则从机身底部到焦平面的距离至少为300毫米, 如果燃气灶的安装说明提供了更大的安装距离, 则必须予以考虑。严禁未经授权改装产品, 不得自行更换或改装电源线。
- 请勿将油烟机安装在易燃材料的墙壁上。
- 请勿将油烟机安装在固体燃料灶的顶部。
- 在墙上钻孔时, 应避免将电线嵌入墙内, 以免触电危险。
- 油烟机应使用专用电源插座, 专用电源插座应可靠接地 (产品必须使用

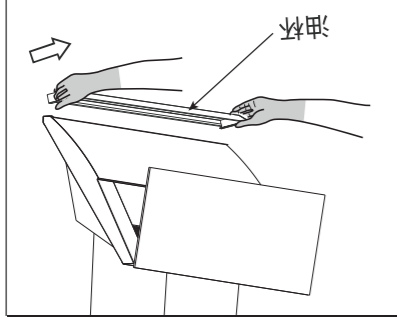
- 墙壁应具有足够支撑强度，以便安装吸油烟机。墙体空心应大于 30 毫米，可以直接在混凝土墙上打孔安装。产品必须牢固地安装在墙上。
- 吸油烟机可能有锐边。在安装或清洁吸油烟机时，请戴上防护手套。
- 如果您的厨房正在装修，请勿使用暴露在外的吸油烟机，因为建材、灰尘、油漆、涂料及其挥发性气体会对吸油烟机表面造成腐蚀并使其失去光泽，请在装修完后安装吸油烟机。

安全警告

- 幼儿或体弱者不得在无人监管时使用本电器。
- 应监督幼儿，确保他们不会将本电器作为玩具玩耍。
- 将电源线插到有接地连续性终端的电源插座。
- 该吸油烟机仅供家庭使用，不适用于烧烤、烤肉店和其他商业用途。
- 应按照说明定期清洗吸油烟机及其过滤器。
- 切勿使用明火，勿使火卷入本电器下方。
- 吸油烟机运行时，请确保室内良好通风。
- 清洁或维护吸油烟机前，请确保电源插头从插座上断开或关闭断路器。
- 如果电源线损坏，必须由制造商、其服务代理或类似的合格专业人士进行更换，以避免危险。更换的电源线应由制造商或销售商提供。
- 如果不按照说明实施清洁，将产生火灾风险。
- 如连接导线损坏，请咨询制造商、售后服务人员或其他合格的技术人员。
- 请按照说明使用产品，以避免任何火灾危险。
- 不得将废气引入用于排出烧气设备所产生烟气的烟道或烟囱。
- 请遵循当地适用于外部空气疏散的法律。

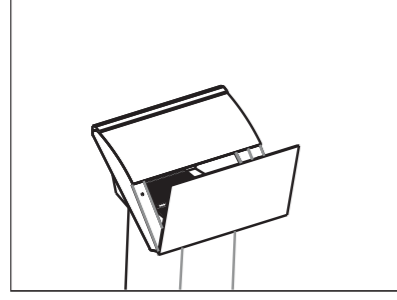
油杯清洁

当油杯中的油杯窗口充满油时，请及时清洁。油杯拆卸程序如下：用双手握住油杯下部，水平取下油杯；清洁后，按相反顺序安装油杯。（油杯较长，拆油杯时请拿稳，以免油溢出。）

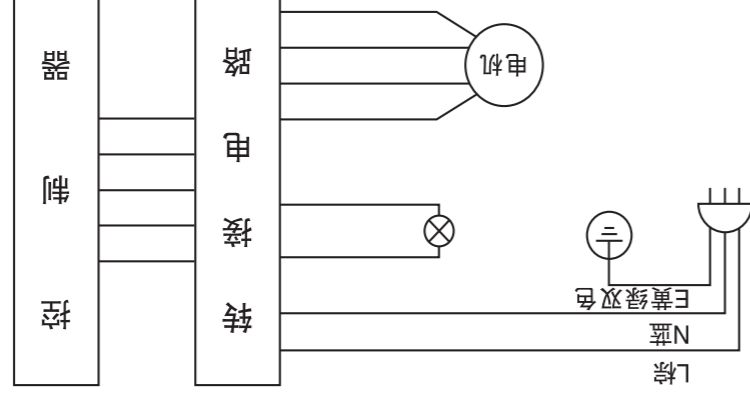


每月清洁

用湿布和中性清洁剂定期清洁吸油烟机表面。先打湿布（含经稀释的中性清洁剂）清洁滤网及内部表面。清洁后用于干净的软布擦干。



电器原理图



故障排除

故障	可能原因	解决方案
灯亮, 电机不运作	风速开关关闭	选择风扇开关位置
	风速开关失败	联系客服中心
	电机故障	联系客服中心
灯不亮, 电机不运作	保险丝熔断	联系客服中心
	电源线松动或断开	联系客服中心
	单向阀和出口密封不严	联系客服中心
漏油	烟囱和盖子的连接处泄漏	联系客服中心
	灯泡损坏或故障	联系客服中心
灯不亮	吸油烟机与炉具距离过远	联系客服中心
吸力不足	固定螺丝不够紧	联系客服中心
吸油烟机倾斜		



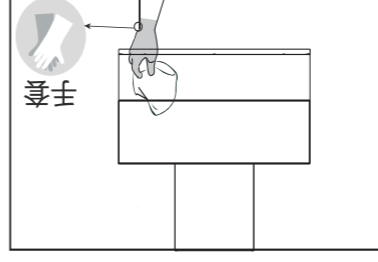
注意:

对该设备的任何电气保养都必须符合当地、州和联邦的法律。在进行上述任何操作之前, 如有任何疑问, 请联系服务中心。打开设备时, 务必将设备与电源断开。

维护

日常清洁

为达到最佳操作性能和更长的使用寿命, 本产品必须经常进行清洁和保养。建议使用湿布清洁所有表面(可使用中性清洁剂), 以保持本产品的外观和卫生。



提示事项

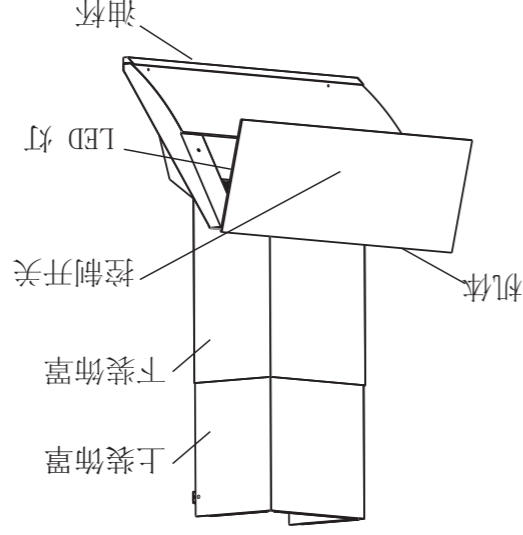
1. 自动清洁功能只是对吸油烟机内部叶轮进行甩油清洁, 并不会直接清洁进风滤油网。
2. 清洗油网时, 请勿使用强碱性洗涤剂, 建议至少每月清洗一次滤油网。

包装清单

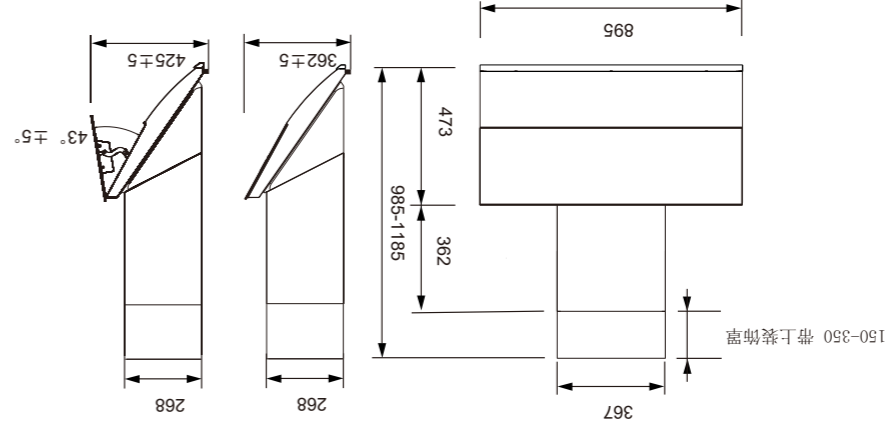
随产品包装箱有以下附件, 开箱后请清点齐全, 若不齐全, 请与客户服务中心或经销商联系。

序号	名称	数量
1	主机	1台
2	整机挂钩	1个
3	排气口	1只
4	伸缩管	1根
5	塑料膨胀管Φ10木	7只
6	螺钉(S15×50)	7只
7	螺丝(S14×10)	2只
8	螺丝(M4×10)	2只
9	上装饰罩M4螺纹固定片	2个
10	使用说明书	1本
11	压板	1张
12	油杯	1只
13	上装饰罩固定支架	1只
14	上装饰罩	1只

产品结构示意图



外形尺寸

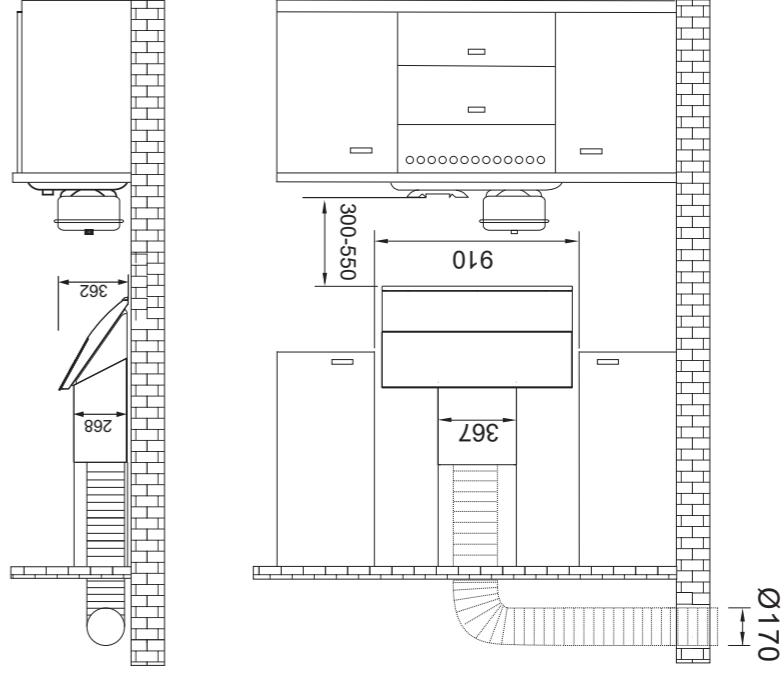


单位: mm

安装指南

1、确定位置 (单位: 毫米)

油烟机应水平安装在灶具上方。安装图如下。



控制面板操作



电源 按「电源」键，直接进入F02档，翻板开启。首次通电后显示时钟，3min无操作自动关闭，时钟显示熄灭，进入待机状态。

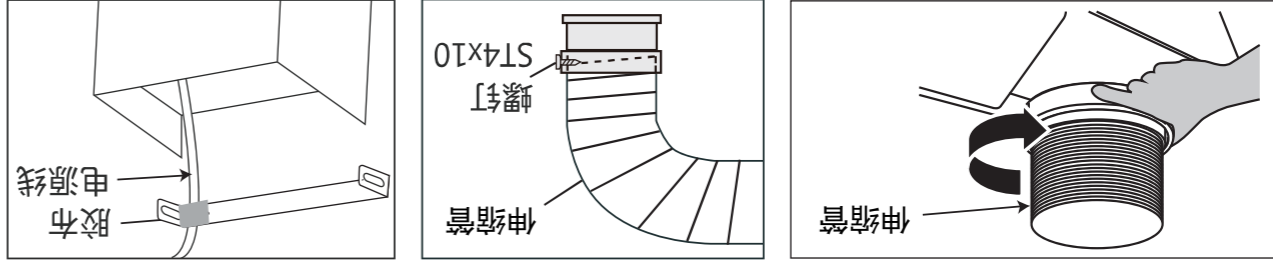
延时 任意档位开启状态下按「延时」键进入3分钟延时。按「上调」/「下调」键，延时取消，进入新档位。
待机状态下长按「延时」键，进入时钟设置功能，小时区闪烁，按「上调」、「下调」键可调整数值。再按「延时」键进入分钟区进行调节。再按「延时」键退出设置功能进入待机状态。

下调 按「下调」键降低档位。档位F01、F02、F03、F04 (爆炒档)。F04时按「下调」键可以回到F03。
上调 按「上调」键升高档位。F03时长按「上调」键可以进入F04 (爆炒档)。F04默认工作1分钟，结束后返回F03。

热清洗 待机状态下长按「热清洗」键3秒进入热清洗功能，按键闪烁显示，倒计时30分钟显示，过程设定为加热10分钟→F01档运行5分钟→加热10分钟→F01档运行5分钟。结束后进入关机状态。

照明 照明不受「电源」键控制。待机状态下按「照明」键，照明开启，翻板打开。关闭「照明」键，照明关闭。翻板关闭。「照明」、「电源」键同时开启状态下，关闭电源键照明、翻板不关闭。

⑩ 拧紧螺丝以固定伸缩管，避免伸缩管在操作机体时松动，然后再用锡箔胶带缠绕密封防止油烟泄露。按图示使用胶布固定电源线。



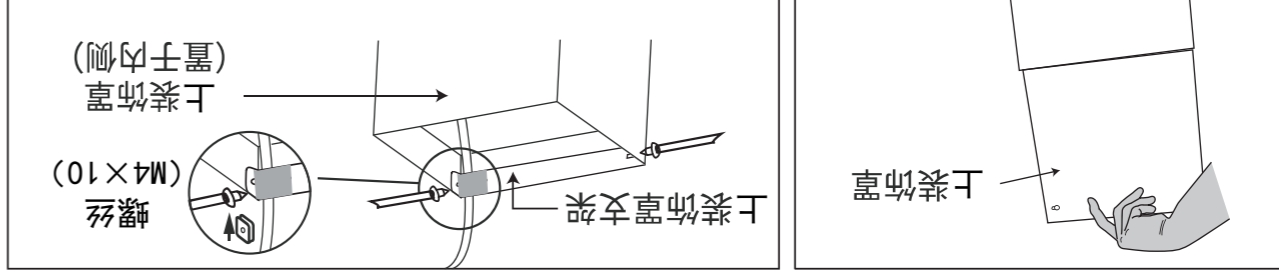
警告！

禁止将电源线接触伸缩管表面，否则可能导致火灾或触电。

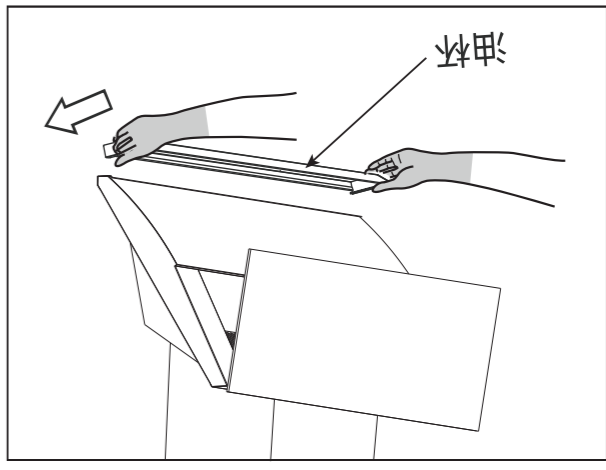
注意！

请确保拧紧安装螺丝，否则可能导致油烟泄漏。
出风管适当拉伸并引至户外，风管折弯尽量少（一般一个），弯曲角度以大于120度为宜，避免直角折弯；
出风口端须略低，以防油污回流。

⑪ 安装上装饰罩，请从吸油烟机机身上拉起上装饰罩，用固定螺丝组将上装饰罩与上装饰罩固定支架进行固定，固定时请不要让螺丝触碰到电源线，如下图所示。



⑫ 用双手握住油杯的底端，水平放置油杯。将油杯插入支架，并将油杯推回油杯支架。



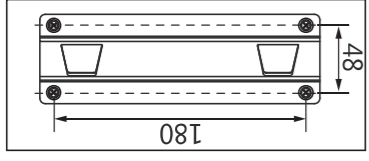
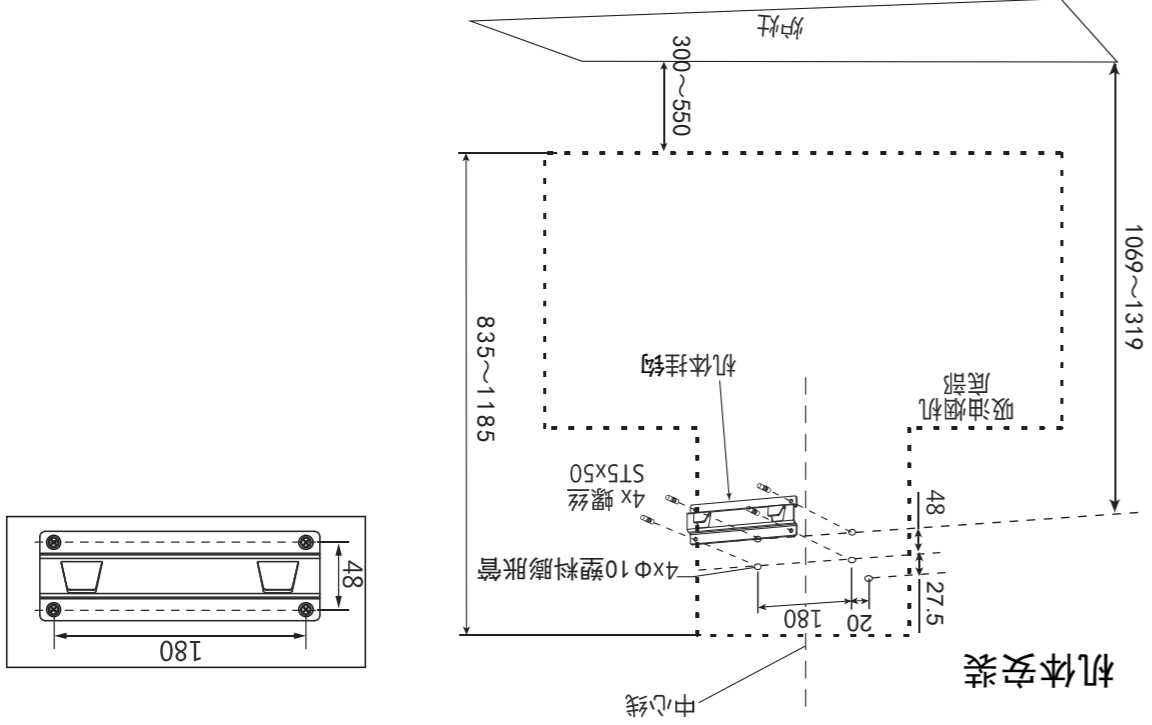
安装注意事项

- 吸油烟机在安装后，应保持左右水平。
- 应避免在吸油烟机附近过多开窗和空气对流，否则会影响吸油烟机的工作效率。
- 排气管要求。
- 排气管的出口不能太长。

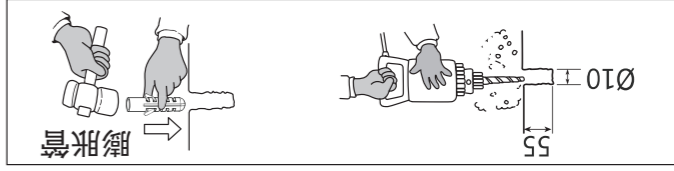
2. (单位：毫米)

① 按下图指示标记机体挂钩安装位置。
请确保螺丝与中心线两边分布对称，之间水平距离为180mm，垂直距离为48mm。

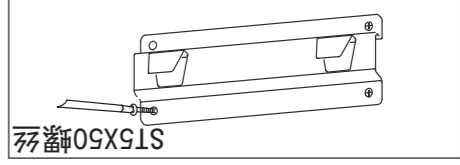
机体安装



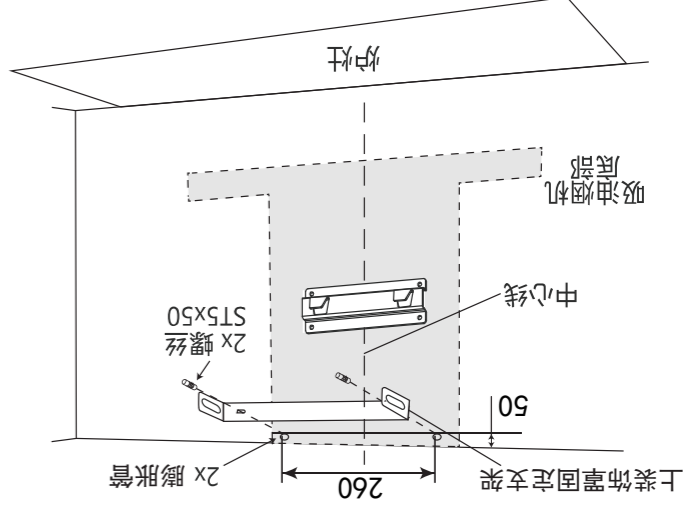
② 对所标记的4个螺丝位置进行钻孔，孔直径为 $\varnothing 10\text{mm}$ ，深度为55mm，然后插入膨胀管。



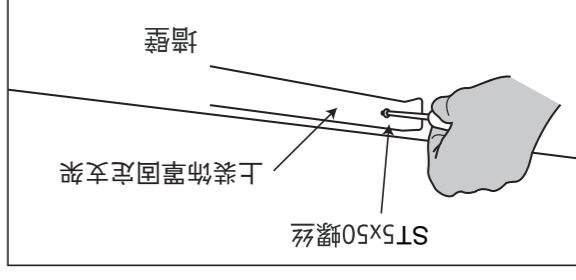
③ 用4个ST5X50螺丝先固定好机体挂钩。



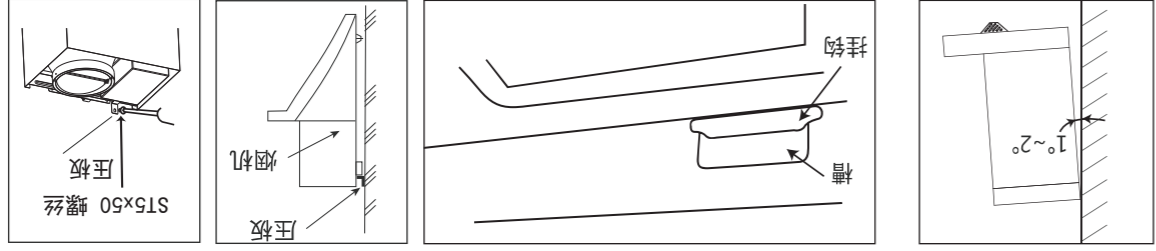
④ 调整上装饰罩（如果需要）至合适高度（上装饰罩固定支架的螺丝孔位置距离橱柜顶部20mm），在墙上标记2个螺丝的位置，然后钻孔直径为 $\varnothing 10\text{mm}$ ，深度55mm，最后将膨胀管插入孔中。



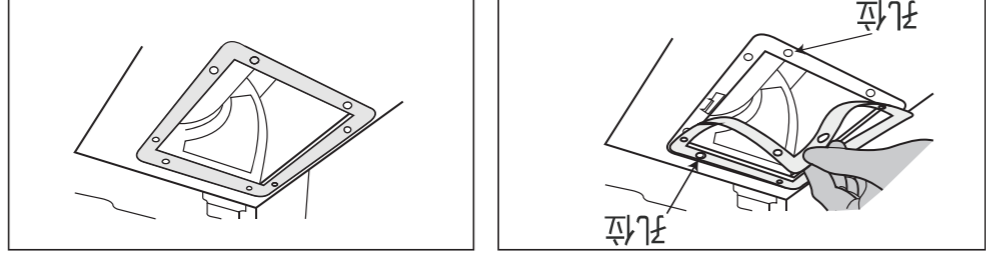
⑤ 用2个ST5X50螺丝将上装饰罩固定支架固定在墙壁上。



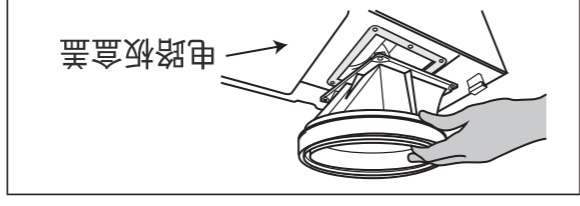
⑥ 将机体安装在墙壁上，机体与墙壁应倾斜 1° 或 2° ，以便机体挂钩完全插入并挂到机体槽中，挂上整机后请视检有否水平，以及确保机体完全贴平墙壁。
在烟机上部用另1个ST5X50螺丝固定好压板(钻孔和第2步图示一样，并插入膨胀管)，避免烟机在运行时振动或掉落。



⑦ 将密封垫放置在排气出口处（可能需要提前先将螺丝卸掉），如下图所示。请确保密封垫正确地对齐。此步骤视安装空间，亦可提前准备。



⑧ 将排气口组件放在密封垫上。请确保排气口组件不会和电路板干涉。使用固定螺丝将排气口组件固定于机体，确保密封。



⑨ 将伸缩管插入排气口组件。

