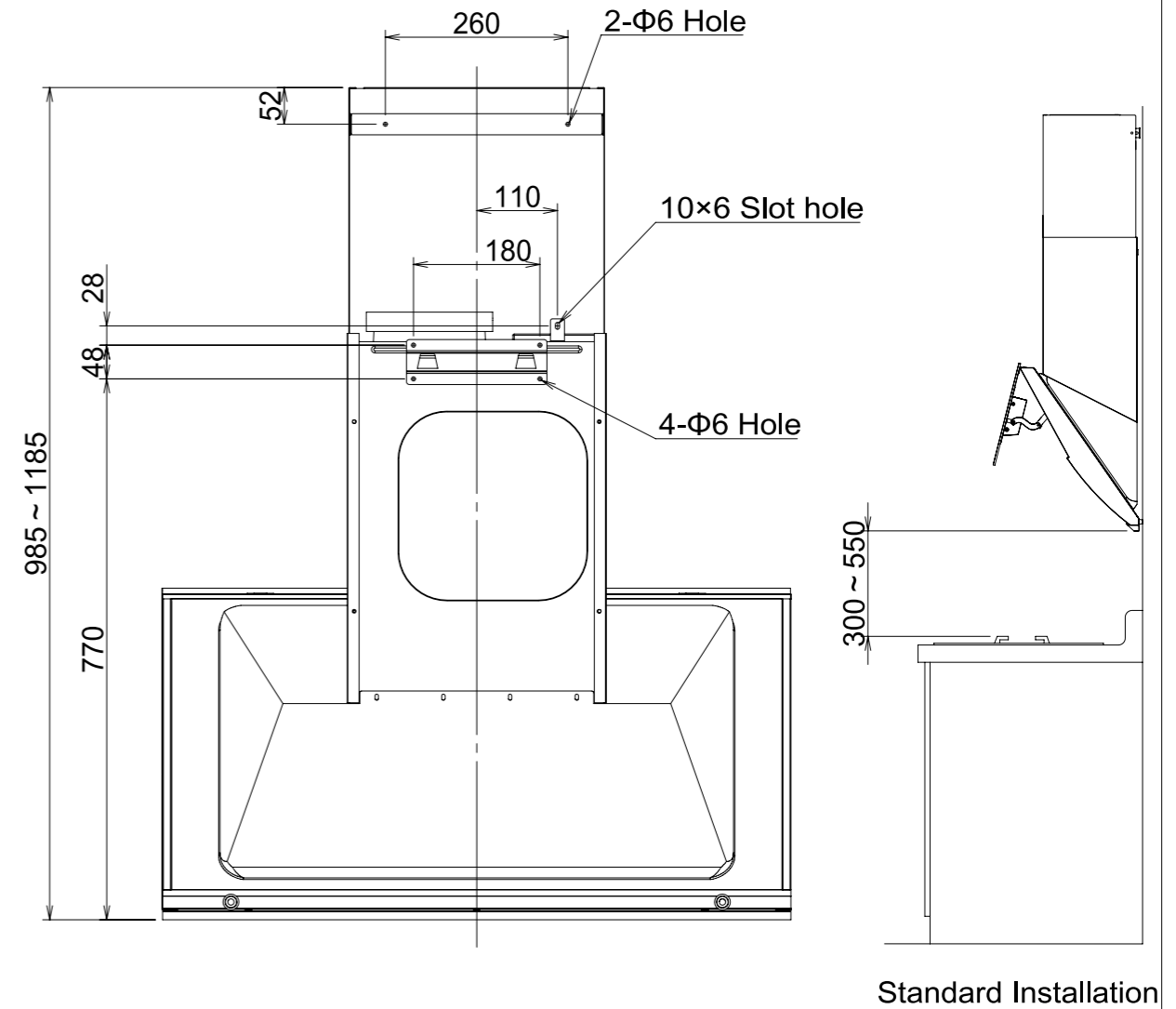
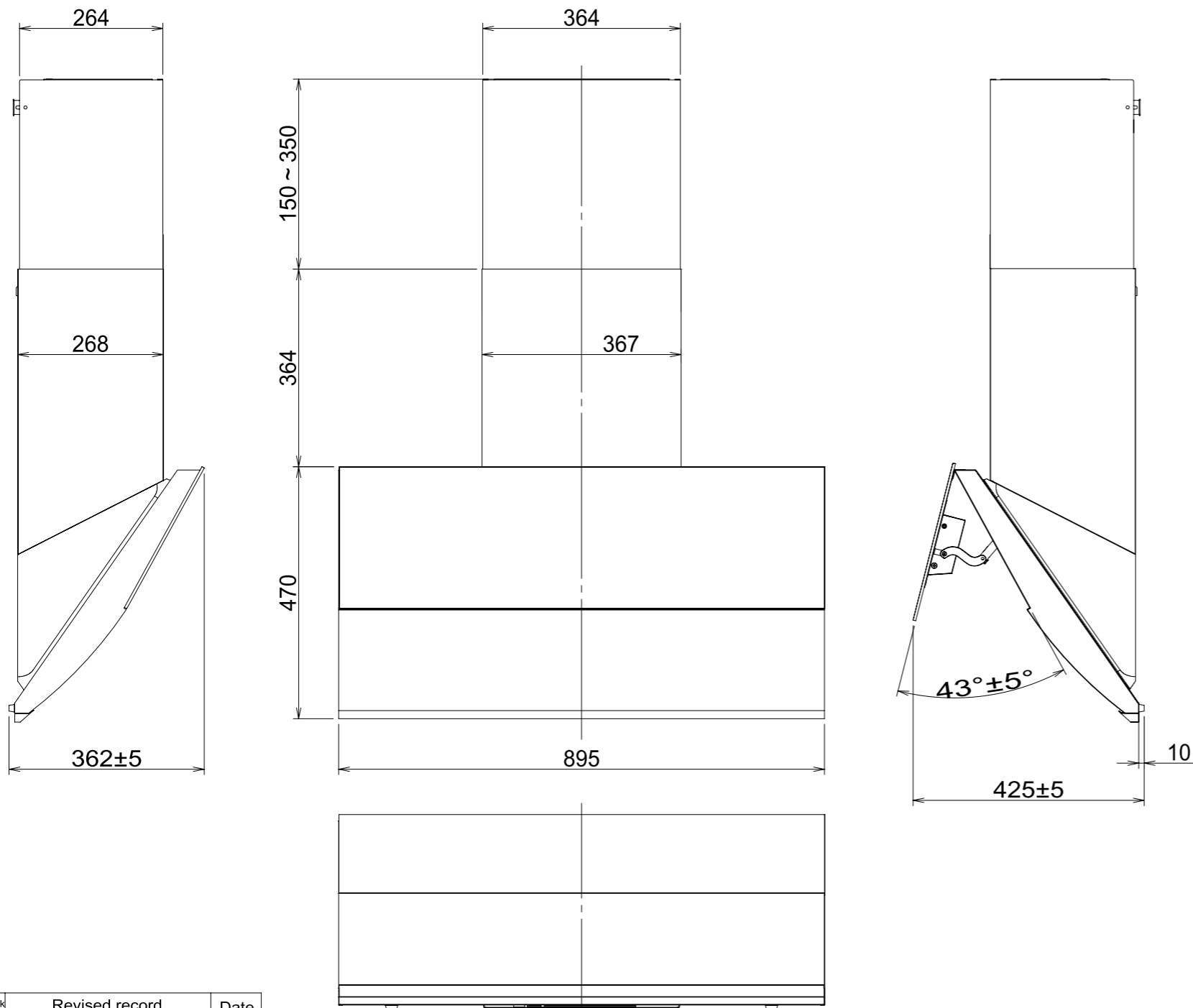


Specifications								
Model	Voltage (V)	Speed	Frequency (Hz)	Power consumption (W)	Airflow(m ³ /h)		Sound (db)	Weight (kg)
					0Pa	-		
FR-SD2290V	220	Boost	50	134	1020	-	54	21.5
		F3		108	955	-	52	
		F2		54	750	-	46	
		F1		30	605	-	41	
	230	Boost		134	1025	-	54	
		F3		109	955	-	52	
		F2		54	750	-	46	
		F1		30	605	-	41	
	240	Boost		134	1025	-	54	
		F3		109	955	-	52	
		F2		54	750	-	46	
		F1		30	605	-	41	

Motor class	8-pole DC brushless motor	Insulation resistance	Over 10MΩ (500V megger)	Withstanding voltage	AC1000V for 1min	Insulation class	B
-------------	---------------------------	-----------------------	-------------------------	----------------------	------------------	------------------	---

Airflow measured by JIS C9603 chamber method



FR-SD2290V			
Model	Product code	Color	Note
Created date	05/09/2022	Product category	Cooker Hood
Updated date	20/10/2022	Model	FR-SD2290V
-FUJIOH-	Scale 1/10	Product outline drawing	

Mark	Revised record	Date
△	Standard installation drawing added	20/10/2022