

**-FUJIOH-**

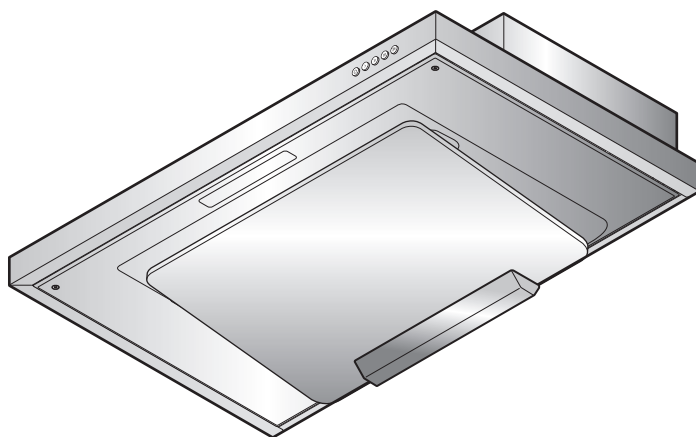
# Cooker Hood

MADE IN  
**JAPAN**  
日本製

**FR-FS2270/90VP**  
(Ventilating type)

**FR-FS2290RP**  
(Recycling type)

## Installation/Operation Manual



English page 1~20

简体中文 21 ~ 40 页

繁體中文 41 ~ 60 頁

### TABLE OF CONTENTS

■ Safety Precautions.....2~4	Operation checking ..... 14
Precautions on use ..... 4	■ Maintenance ..... 14~18
■ Preparation.....5, 6	Precautions for maintenance..... 15
Name of parts .....5	Detaching/Attaching of parts
Switch .....6	to be cleaned ..... 15~17
■ Installation.....7~14	Cleaning..... 18
Preparation and checking	■ Other Information..... 18, 19
before installation..... 7, 8	Specifications ..... 18
Preparation before installation... 9, 10	Circuit diagram ..... 19
Cooker hood installation ..... 10~13	Service and warranty ..... 19
Reattaching the removed parts... 13, 14	

To the sales shop/installer:  
after installation, please  
provide this manual to the  
user without fail.

Thank you very much for purchasing our cooker hood.

**Please read this manual thoroughly before installing/operating  
the cooker hood.**

Keep this manual properly for future reference after reading.

1F02 2882



# Safety Precautions

- Read the following safety precautions before installation and operation, and use the cooker hood properly and securely.
- These safety precautions are for correct operation of the product, preventing any harm or damage to yourself or others. These safety precautions are classified into 2 categories (“WARNING” and “CAUTION”) depending on their hazard and severity. Please pay attention and strictly observe these safety precautions as they are crucial to safety.













## WARNING

Alerts possible risk of **serious injury**, if not observed.

## CAUTION

Alerts possible risk of **injury** or **physical damage**, if not observed.

## WARNING

- |   |  |   |
|---|--|---|
|    | Less than 4 burners                              | ● <b>The cooker hood is intended to be installed over a hob with up to four hob elements or burners.</b>  |
|    | Disassembly, repair, or modification prohibition | ● <b>Never attempt to disassemble, repair or modify.</b><br>Always seek help from a qualified technician. Otherwise, there may be fire, electric shock or abnormal conditions.  |
|   | Prohibition on use                               | ● <b>Do not use in regions where the power voltage exceeds 220V/230V/240V AC.</b><br>Otherwise, there may be fire hazards or electric shock.  |
|  | Caution during assembly                          | ● <b>Electric wiring shall be carried out properly by professional technician or personnel.</b><br>Incorrect wiring may cause electric leakage or fire hazards.   |
|  | Caution during installation                      | ● <b>Installation work should be performed by a minimum of 2 persons.</b><br>The weight of the cooker hood is about 15kg (FR-FS2270VP), 17kg (FR-FS2290VP), 18kg (FR-FS2290RP).   |
|  | Caution during installation                      | ● <b>Breakers shall be incorporated in the fixed wiring to ensure all-pole disconnection from the main power source.</b>  |
|  | Disconnection of the power plug                  | ● <b>Be sure to disconnect the power plug from the outlet, or switch off the breaker during maintenance. Also, never handle the power plug or breaker with wet hands.</b><br>Otherwise, there may be electric shock or physical injury. |
|  | Dust removal                                     | ● <b>The power plug shall be cleaned regularly to prevent dust accumulation.</b><br>Otherwise, there may be fire hazards or electric shock.   |
|  | Water spraying prohibition                       | ● <b>Never spray water on any electric parts.</b><br>Otherwise, there may be fire hazards or electric shock.  |
|  | Operation prohibition                            | ● <b>In case of a gas leak, do not switch on the cooker hood.</b><br>Otherwise, it may result in a gas explosion.   |
|  | Attention to ventilation                         | ● <b>The cooker hood shall be installed at a place with sufficient ventilation.</b><br>When using a natural exhaust type stove, poor ventilation may result in carbon monoxide poisoning.   |
|  | Strict implementation                            | ● <b>The air shall not be discharged into hot flues that are used for discharging fumes generated from burning gas or other fuels (not applicable to cooker hoods that can discharge the air back into the room).</b>                   |

## WARNING



Attention to adjustment

- **Always perform exhaust adjustments.**



Supervision requirement

- **The product is not intended for use by persons (including children) with reduced physical, sensory or mental capabilities, or lack of experience or knowledge, unless they are under the supervision or guidance of a specially assigned person who is responsible for their safety.**

Children require extra supervision. Do not let children play with the product.



Attention to ventilation

- **Ensure that there is sufficient ventilation in the room when using the cooker hood with multiple appliances burning gas or other fuels.**



Cleaning frequency

- **Cleaning that is not carried out in accordance to safety precautions may result in a fire hazard.**



BBQ prohibition

- **Never barbecue under the cooker hood.**

## CAUTION



Caution during installation

- **Install the product in a stable location.**

Otherwise, the cooker hood may detach and cause injury or damage.



Disconnection of the plug by holding the power plug

- **When disconnecting the power, hold the power plug itself instead of the power cord.** Otherwise, it may result in the damage of the power cord, as well as fire hazards or electric shock.



Disconnection of the plug

- **Be sure to disconnect the power plug from the outlet, or switch off the breaker when the cooker hood is idle for a long run.**

Otherwise, it may result in the deterioration of the insulation property, as well as fire hazards or electric shock.



Prohibition on use

- **Never use the product in a wet place such as bath room (Exhaust fans should be used in a bath room).**

Otherwise, it may result in fire hazards or machine failure.



Caution during assembly

- **Component parts removed while repairing shall be securely assembled.**

Otherwise, there may be injury or damage caused by detaching of the parts or cooker hood itself.



Caution during assembly

- **Ensure that electric wiring is laid out safely according to the related standard or regulations.**

Incorrect wiring may result in fire or electrical shock.



Contact prohibition

- **Never touch the filter or parts around it while cooking.**

Otherwise, it may result in the detachment of the filter or parts, and even burns or injury.



Contact prohibition

- **During operation, never insert fingers or other objects into the cooker hood.**

Otherwise, it may result in the machine failure or physical injury.



Operation prohibition

- **Switch off the cooker hood immediately if the pan catches fire.**

Otherwise, the cooker hood will fuel the fire and create a dangerous situation.



Caution during installation

- **The distance between the topmost part of cooking appliance and the lowest part of cooker hood, when it is located exactly over the cooking appliance, shall be 650mm to 850mm. If greater distance is specified in the cooking appliance manual, it must be taken into account.**

## CAUTION



Prohibition  
on object  
placing

- **Never put anything on the cooker hood.**  
Otherwise, it may result in fire hazards, machine failure or injury due to detachment.



Using gloves

- **Always wear gloves during maintenance.**  
Otherwise, the user may be injured by sharp edges or corners.



Replacement  
of damaged  
power cord

- **If the power cord is damaged, request for a replacement from the manufacturer, its service agent or similarly qualified persons in order to avoid any hazards.**



Prohibition

- **Do not stare directly at the LED lights when they are turned on.**



Caution

- **Clean the oil tray when the oil level reaches one half of the height to prevent the oil from overflowing or dripping during removal.**



Caution  
during  
installation

- **In order to prevent the product from detaching, the plastic expansion pipes shall be used with the drill with corresponding specifications to ensure that the connection is as seamless as possible.**



Strict  
implementation

- **Ensure that the exhaust pipe is connected to an outdoor area. To avoid fire hazards and ensure the ventilation of fresh air, waste gas shall be discharged outdoors instead of walls, attics or garages.**

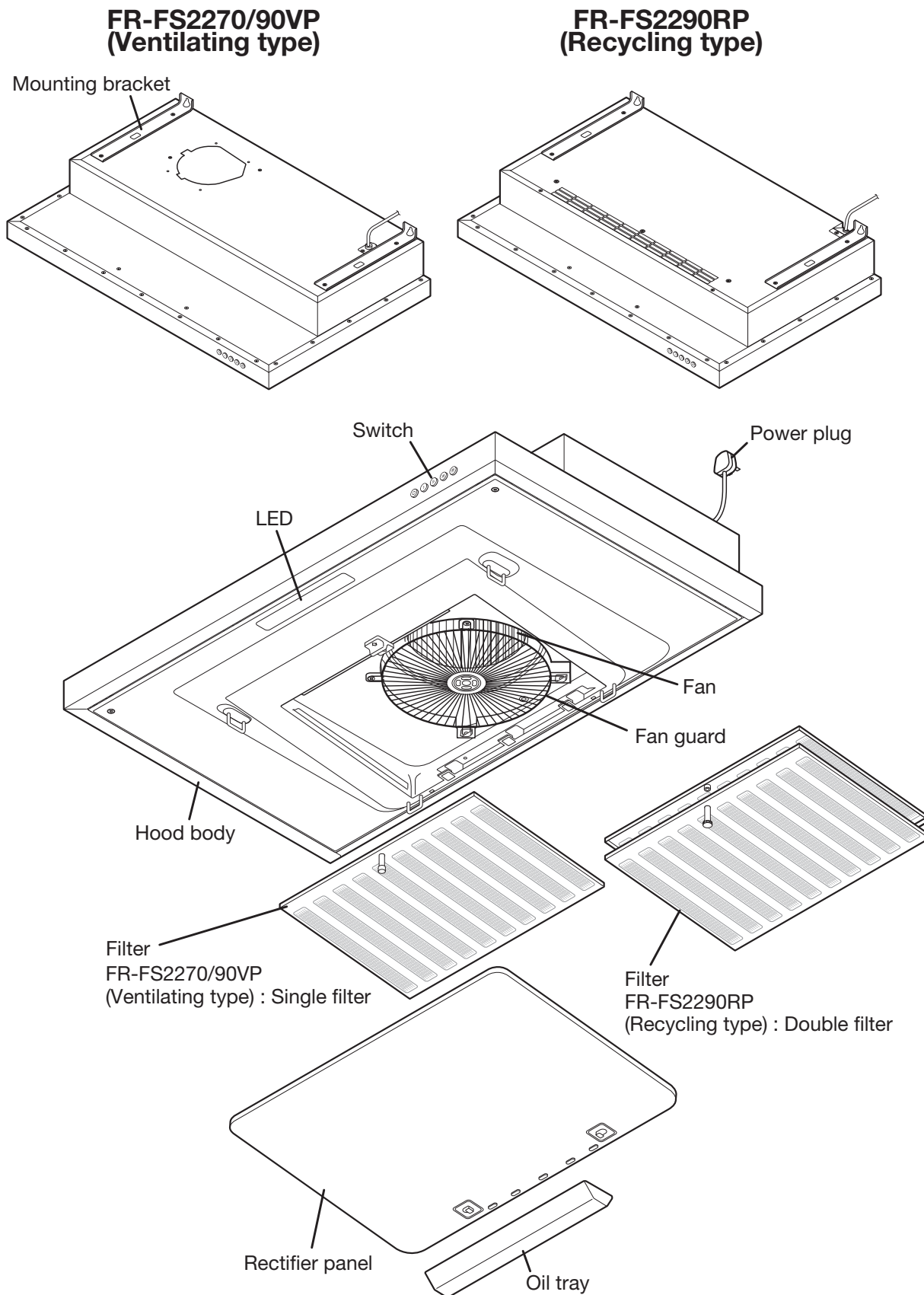
## Precautions on use

- **Always turn on the cooker hood while cooking.**  
Otherwise, the cooker hood may be damaged or fail to operate due to the increased temperature.
- **Never use a gas hob without any cooking equipment on it.**  
Otherwise, the high temperature of the cooker hood body may result in machine failure.
- **Smoke capturing performance may be deteriorated by cross winds when the induction cooker is used. Additionally, dew may form on the surface of the cooker hood when it is used at low temperature.**  
When this happens, first wipe off the cooker hood before using it.
- **Prevent direct wind from air conditioners.**  
Otherwise, the smoke capturing performance may be reduced by direct wind from an air conditioner.  
The cooker hood is easily affected in open areas, especially when the induction cooker is not generating any ascending air current.
- **Ensure that sufficient ventilation is maintained while operating the cooker hood.**  
Ensure that there are adequate air intake slots on the wall opposite from the cooker hood, or that the door of the room is kept slightly open.  
Otherwise, the smoke capturing performance may be reduced, or there may be abnormal noise, vibration.
- **Ensure that the distance between the water heater and the cooker hood is more than 500mm.**  
As the area surrounding the water heater is at higher temperature, the cooker hood shall be at least 500mm away from the water heater.  
Never install the cooker hood above the water heater. Otherwise, the cooker hood may become damaged or fail due to the increased temperature.
- **Never use the cooker hood with its rectifier panel removed.**  
Otherwise, the smoke capturing performance may be reduced.
- **Inoperable cooker hoods shall be processed to ensure that it cannot be used before it is disposed.**



# Preparation

## Name of parts



## ■ List of included items

### FR-FS2270/90VP (Ventilating type)






Name	Usage	Quantity
Main unit	—	1
Exhaust port	Connecting the main unit and the duct	1
Soft tape	Sealing the exhaust port and the duct	1
Washer-head wood screw (Ø5.1×25)	Mounting the main unit	6
Washer-head wood screw (Ø5.1×45)	Mounting the main unit	4
Fixing screw (M4×8)	Mounting the exhaust port	4
Oil tray	Collects filtered oil	1

### FR-FS2290RP (Recycling type)

Name	Usage	Quantity
Main unit	—	1
Washer-head wood screw (Ø5.1×25)	Mounting the main unit	6
Washer-head wood screw (Ø5.1×45)	Mounting the main unit	4
Oil tray	Collects filtered oil	1

## Switch



- |   |        |  |
|---|--------|--|
|  | Button | Stop fan   |
|  | Button | For light cooking (steaming, etc.)                     |
|  | Button | For medium cooking (light stir-fry of vegetable, etc.) |
|  | Button | For heavy cooking (deep fried fish, etc.)              |
|  | Button | Turn ON/OFF the light                                  |

# ■ Installation

## Preparation and checking before installation

### CAUTION

1. Install the cooker hood carefully and avoid any contact with any metal parts (the metal lattice in the wall or the like) of the building.
2. Never embed the body of the cooker hood in the wall. Otherwise, it may result in the electric leakage of the unit.
3. The air shall not be discharged into hot flues that are used for discharging fumes generated from burning gas or other fuels (Not applicable to cooker hoods that can discharge the air back into the room).
4. The distance between the topmost part of cooking appliance and the lowest part of cooker hood, when it is located exactly over the cooking appliance, shall be 650mm to 850mm. If greater distance is specified in the cooking appliance manual, it must be taken into account.
5. Use a gas hob with a width less than that of the cooker hood.
6. Avoid using the cooker hood with changes in specifications, for instance, with modified switches.
7. Never install the cooker hood in a wet area or in other wet rooms since it may result in electric shock or damage.
8. Never install the cooker hood at a place where the ambient temperature exceeds 40°C, otherwise it may result in machine failure.
9. To protect your hands from injury, please wear working gloves when installing the cooker hood.
10. If the power cord is damaged, it shall be replaced by the manufacturer or its service agent or a similarly qualified person to prevent any hazard.

## Checking mounting surface strength

The mounting surface should have sufficient strength to support the cooker hood. The cooker hood shall be installed on a location that can support the weight of the cooker hood for an extended period of time.

[Product weight 15kg (FR-FS2270VP), 17kg (FR-FS2290VP), 18kg (FR-FS2290RP).]

### ■ In the case of boarded wall

- If the thickness is more than 20mm, mount the cooker hood directly to the wall.
- If the thickness is less than 20mm, embed a reinforcing board and mount the cooker hood to this board.

### ■ In the case of a concrete/tile faced wall

- Embed a reinforcing board in the wall in advance, or use a curl plug or the like.

## Power plug

The cooker hood uses a 3-pin power plug.

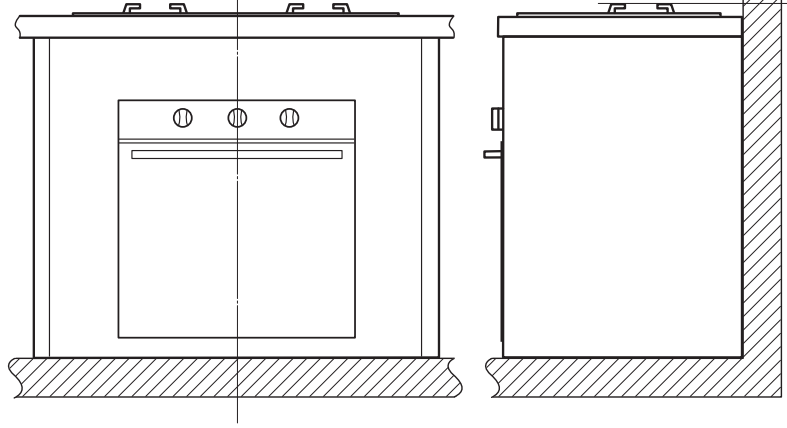
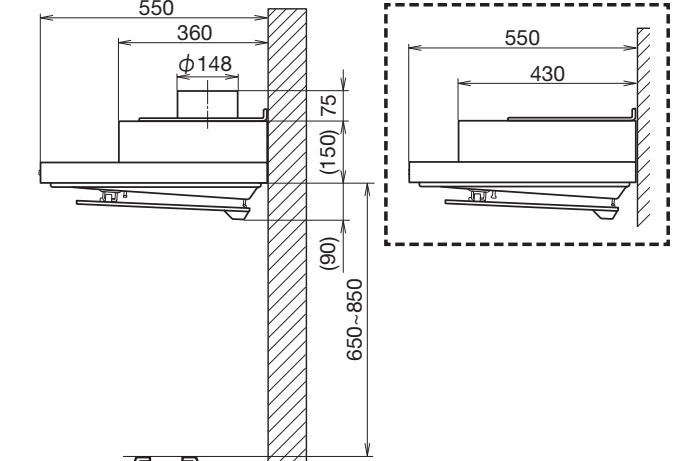
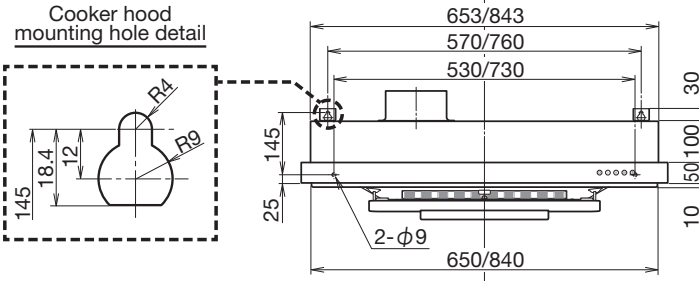
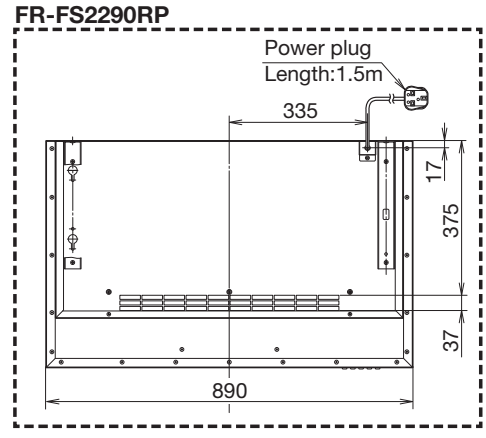
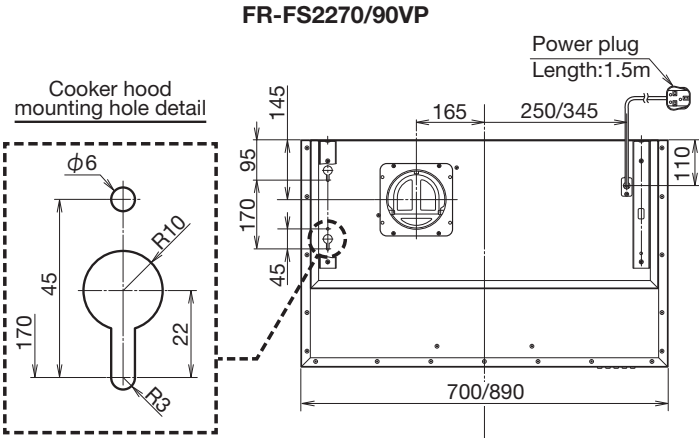
Be sure to use the wall outlet specified for the cooker hood.

## Checking accessory parts

Take out the main unit and accessory parts from the packing box, and check if all accessories described in the packing list are available.

# Confirmation of the installation location (Unit: mm)

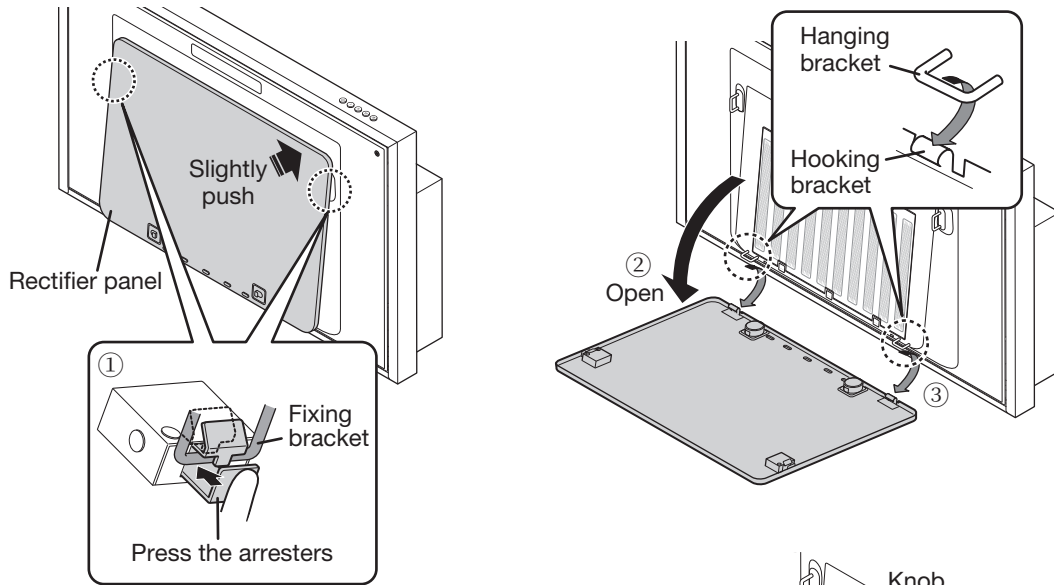
Installation



# Preparation before installation

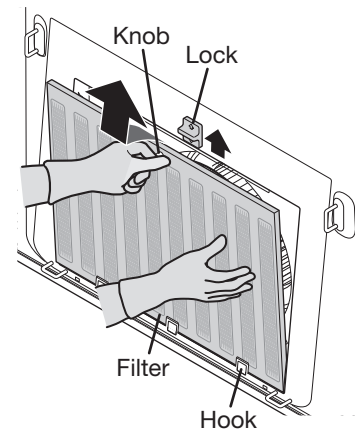
## 1 Removing rectifier panel

- 1) Support the rectifier panel with both hands and slightly push it forward. Press the left and right arresters of the rectifier panel for detaching ( ① ).
  - 2) Support the rectifier panel with both hands to slowly detach it ( ② ).
  - 3) Uphold the rear end of the rectifier panel at the position shown in the right figure to detach it from the hanging bracket of the cooker hood ( ③ ).
- \* Be sure to detach both points at the same time. Otherwise, the metal parts may deform.



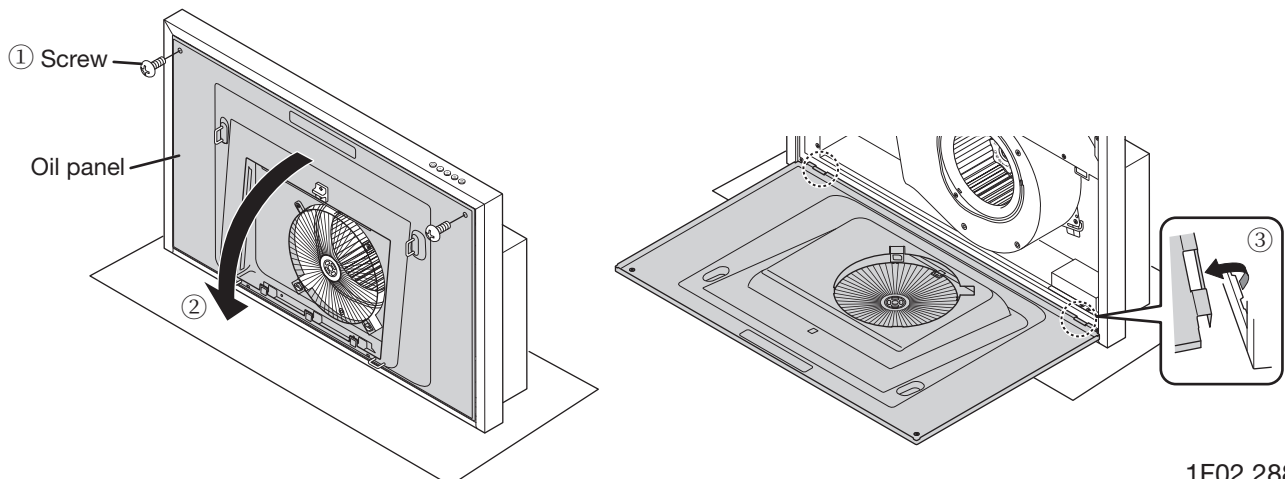
## 2 Removing filter

- Slide the lock upwards while holding the filter knob to remove it. Lift out the filter moving it upwards while supporting it with your hand so that it does not fall, then detach it from the three hooks at the bottom of the main unit.



## 3 Removing oil panel

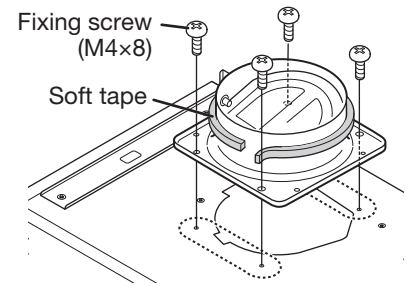
- 1) Loosen the two screws securing the oil panel to the hood body ( ① ).
- 2) Supports the oil panel with both hands to slowly detach it ( ② ).
- 3) Uphold the rear end of the oil panel at the position shown in the right figure below to detach it from the hood body ( ③ ).



## 4 Fixing the exhaust port (FR-FS2270/90VP only)

Firmly fix the supplied exhaust port by fastening the supplied fixing screws (M4×8).

Then attach the supplied soft tape around the supplied exhaust port.



### Note

When attaching the exhaust port, pay attention to its shutter opening direction. If it's installed incorrectly, it may cause bad discharge, abnormal noise, etc.

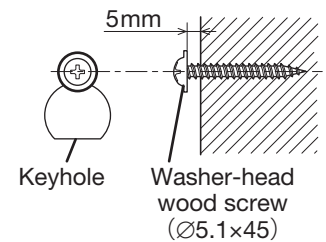


# Cooker hood installation

## Wall-mounted installation

### 1 Screw in washer-head wood screws on the wall

Referring to “Confirmation of the installation location” on page 8, insert the supplied washer-head wood screws (Ø5.1×45) into the mounting wall for the left and right keyholes of the mounting bracket. Allow about 5mm space between the wall and screwheads for hanging the cooker hood.

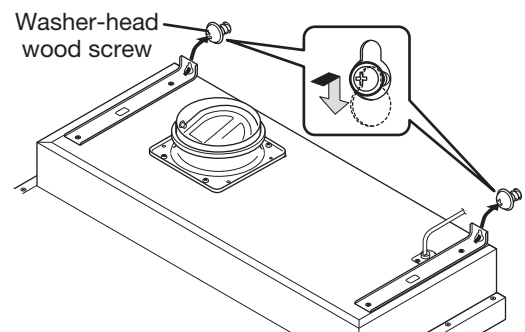


### Note

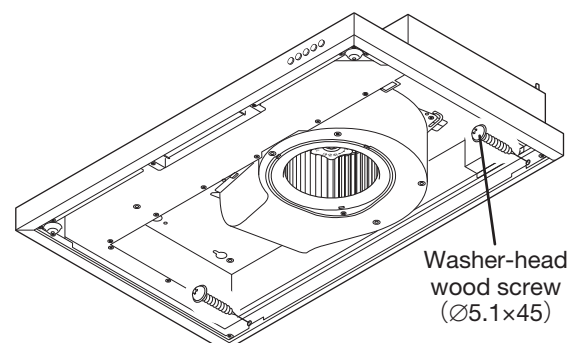
In case reinforcement is required, arrange it through the installation service provider.

### 2 Mount the cooker hood

1) Hook the keyholes of the cooker hood on the supplied washer-head wood screws, and tighten the screws.



2) Fasten the 2 supplied washer-head wood screws (Ø5.1×45) on the rear of the cooker hood securely.



### 3 Connection of duct and exhaust port (FR-FS2270/90VP only)

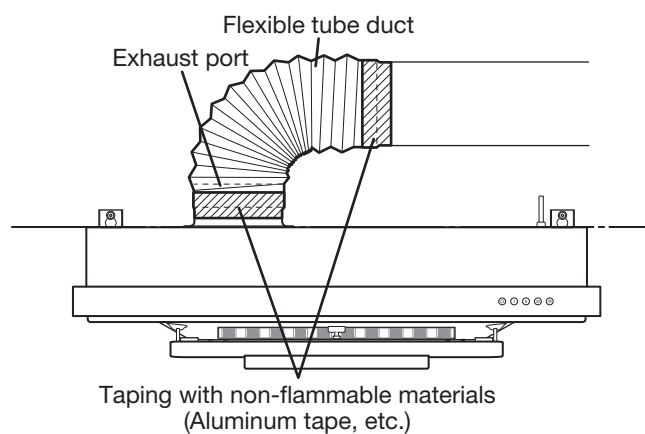
Connect  $\varnothing 150$  flexible tube duct or the like with the supplied exhaust port.

Make the supplied exhaust port secure and airtight using non-flammable tape such as aluminium tape, etc. (not supplied)

**Note**

The longer the exhaust duct, the lower the ventilation.

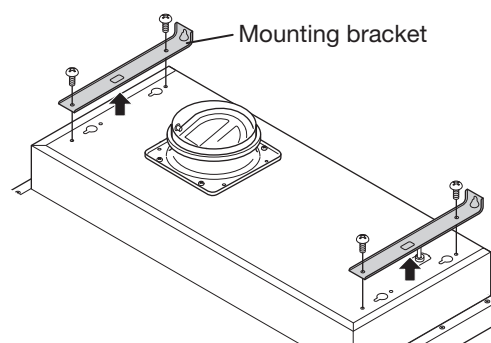
After completing this process, proceed to "Reattaching the removed parts" on page 13.



## Upper side-mounted Installation

### 1 Detach mounting brackets from the cooker hood

Detach the two mounting brackets attached on the upper side of the cooker hood.

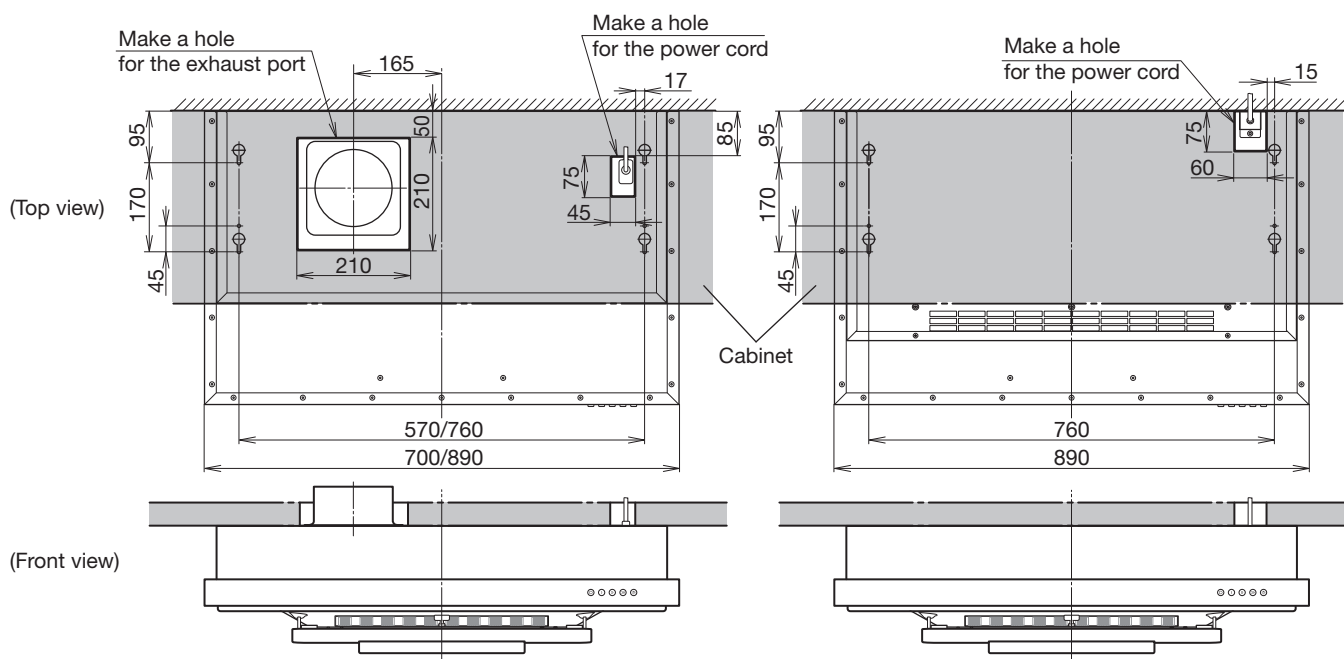


### 2 Make holes on mounting surface (cabinet)

Referring to the diagrams below, make holes on the mounting surface (cabinet) for the power cord and the exhaust port (FR-FS2270/90VP only).

#### FR-FS2270/90VP

#### FR-FS2290RP



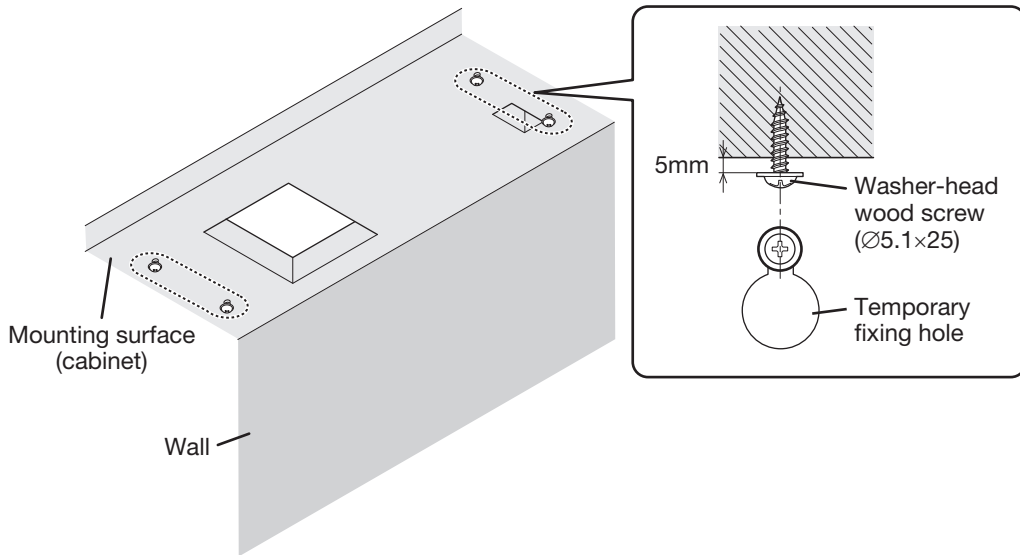


### 3 Screw in washer-head wood screws on the mounting surface

Referring to “Confirmation of the installation location” on page 8, fasten the supplied washer-head wood screws ( $\varnothing 5.1 \times 25$ ) into the mounting surface through the keyholes of the upper side of the main unit. Allow about 5mm space between the wall and screwheads for hanging the cooker hood.

#### Note

Incase reinforcement is required, arrange it through the installation service provider.



### 4 Install cooker hood on mounting surface (cabinet)

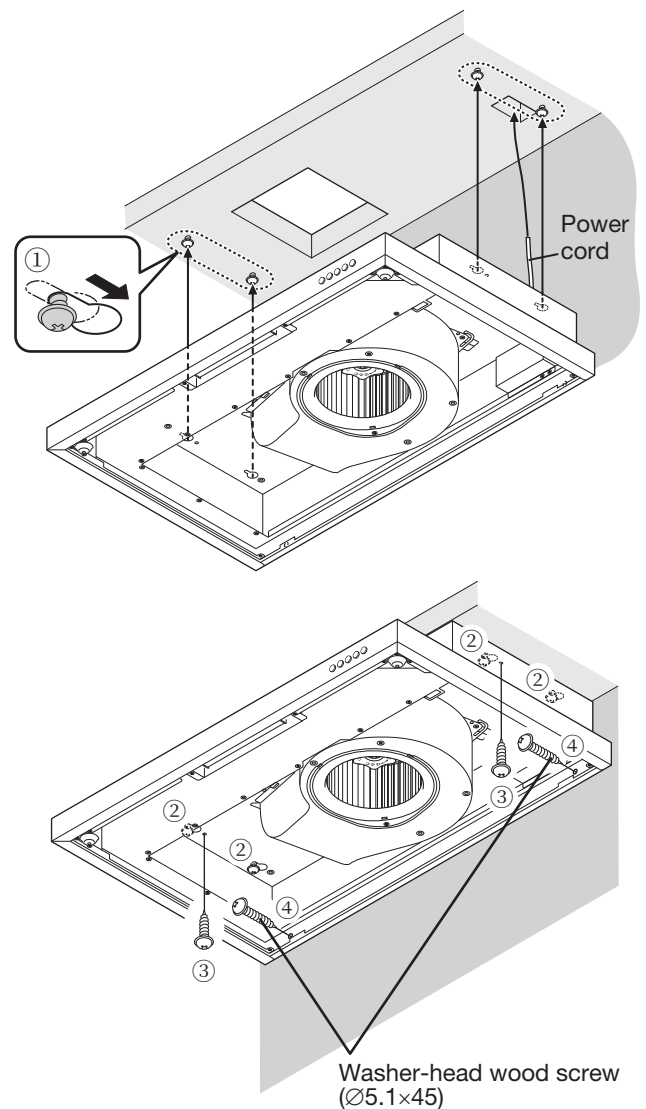
1) Slot the temporary fixing hole on the upper side of the cooker hood into the screw fitted as shown on the right and slide the temporary fixing holes towards the rear end ( ① ).

\* Hold the cooker hood firmly to ensure that the cooker hood does not fall during the process.

2) Fully tighten the 4 supplied washer-head wood screws ( $\varnothing 5.1 \times 25$ ) in the temporary fixing holes ( ② ).

3) Screw in the 2 supplied washer-head wood screws ( $\varnothing 5.1 \times 25$ ) provided into the 2 round holes on the upper side of the cooker hood at the position shown in the right figure ( ③ ).

4) Screw in the 2 supplied washer-head wood screws ( $\varnothing 5.1 \times 45$ ) provided into the holes on the rear side of the main unit at the position shown in the right figure ( ④ ).



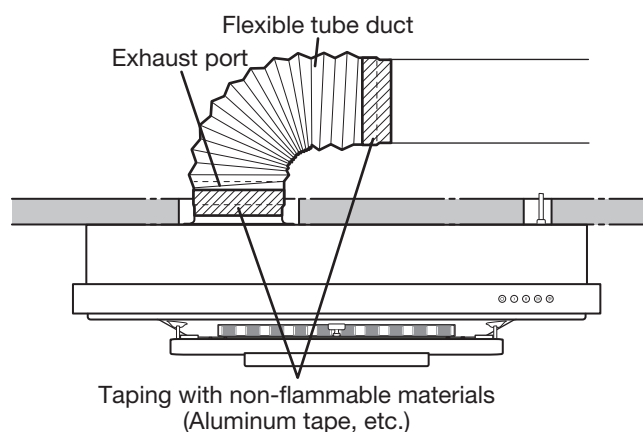
## 5 Connection of duct and exhaust port (FR-FS2270/90VP only)

Connect  $\varnothing 150$  flexible tube duct or the like with the supplied exhaust port.

Make the supplied exhaust port secure and airtight using non-flammable tape such as aluminium tape, etc. (not supplied)

### Note

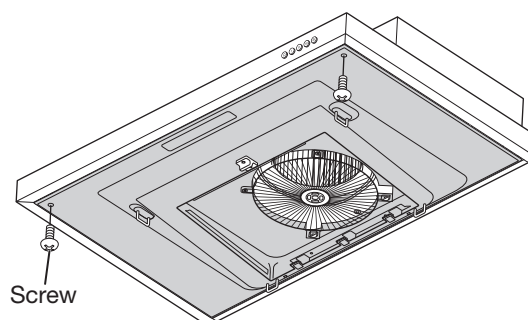
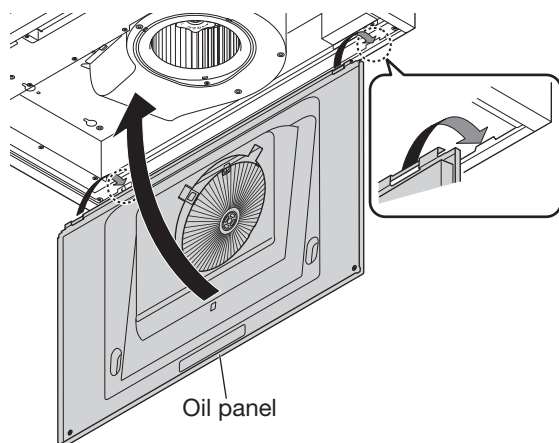
The longer the exhaust duct, the lower the ventilation.



## Reattaching the removed parts

### 1 Attaching oil panel

Hook the rear of the oil panel on the catches, then raise its front. With holding the oil panel, fix it using 2 screws.

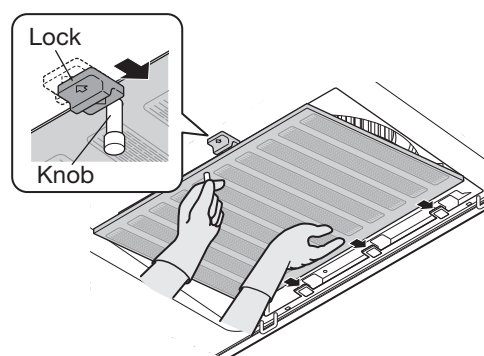


### 2 Attaching filter

Hold the filter on its knob and carefully fit the other end on the hooks of the hood body, then push it onto the main unit. Slide the lock backwards to affix the filter in place.

### Note

Be sure to hold the filter with hand when attaching it. Otherwise, it may drop and result in injury.



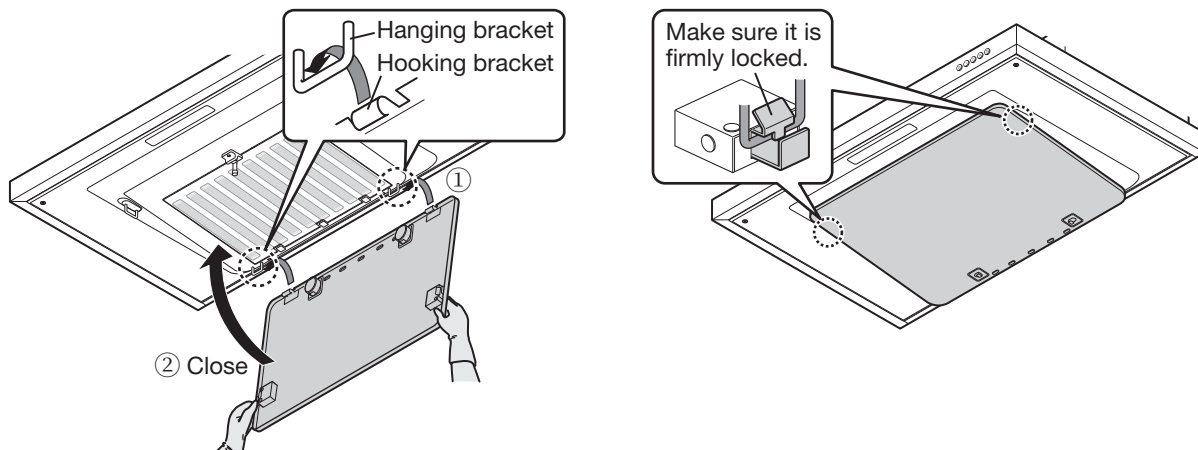
### 3 Attaching rectifier panel

- 1) Securely hang the left and right hooking bracket at the rear of the rectifier panel on the hanging bracket ( ① ) of the cooker hood.
- 2) Support the rectifier panel with both hands and lift the front end upwards until a “snap” sound is heard, and it is secure ( ② ).

After installing, pull the rectifier panel up and down to make sure it will not drop.

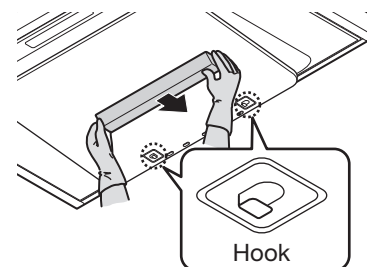
#### Note

In order to prevent fasteners falling due to insufficient locking, please make sure that the rectifier panel is locked securely.



### 4 Attaching oil tray

Install the supplied oil tray on the rectifier panel. Align the 2 projections of the supplied oil tray with the installation hooks of the rectifier panel. Insert the projections, slide the tray backwards and secure it.



## Operation checking

Turn off the circuit breaker on the distribution board, and then plug the power plug into the outlet. After turning on the circuit breaker, switch on the hood to check the operation. Refer to page 6 for instructions on switch operation and operation state confirmation.

- Check if the fan rotates normally at all speeds during operation.
- Check that there are no abnormal noise or vibration.

## Maintenance

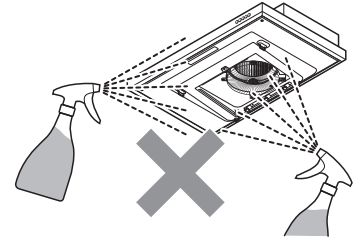
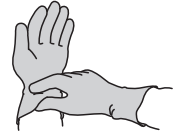
Clean the cooker hood frequently as it will become greasy (especially, clean the filter at least once a month. For a family, cooking at least twice a day, clean the filter once in every two weeks).

If the cooker hood is left unattended for a long time, a large amount of oil will accumulate and become hardened grease, which is difficult to remove.

Always clean the oil tray, external body and the rectifier panel in a timely manner (cleaning frequency: about once a month).

## Precautions for maintenance

- Before cleaning the cooker hood, be sure to disconnect the power plug from the socket, or turn off the breaker.
- For safety, always wear a pair of rubber gloves while cleaning the filter and other parts.
- Especially, ensure that no water is splashed on electric parts such as motor, switches, connectors or the like. Do not spray any type of detergent to the electric parts. Otherwise, it may cause machine failure.



- Do not apply solvents such as thinner, benzene, polishing powder or the like for cleaning painted surfaces, oil panel and others, since it will tarnish or scratch them.
- Do not wash parts with a hard brush or the like for cleaning, otherwise, parts will be damaged.
- The cooker hood may catch fire if it is not cleaned according to the Manual.

## Detaching/Attaching of parts to be cleaned

Install all parts using the opposite procedure as that for removing the parts.

### Oil Tray

#### ■ Detaching

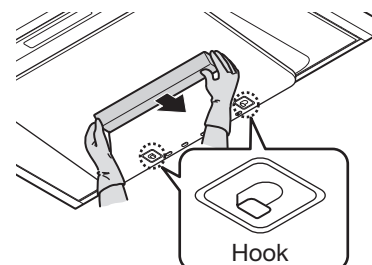
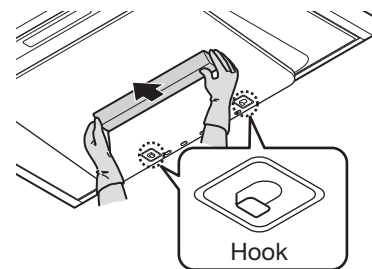
Remove the oil tray by pulling the 2 projections out of the rectifier panel hook. While removing, make sure oil on the oil tray does not overflow or gets spilled.

#### Note

Oil may not accumulate in the short period of time depending on usage frequency, which is normal.

#### ■ Attaching

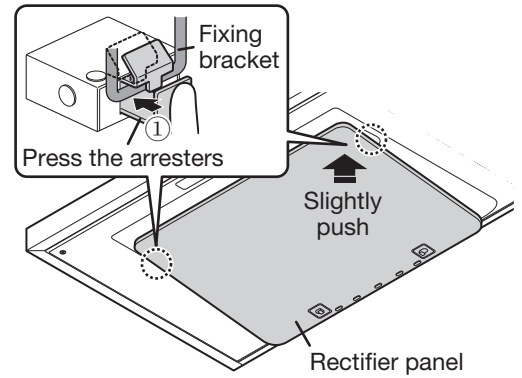
Install the oil tray on the rectifier panel. Align the 2 projections of the oil tray to the installation hooks of the rectifier panel. Insert the projections, slide the tray backward and secure it.



## Rectifier Panel

### ■ Detaching

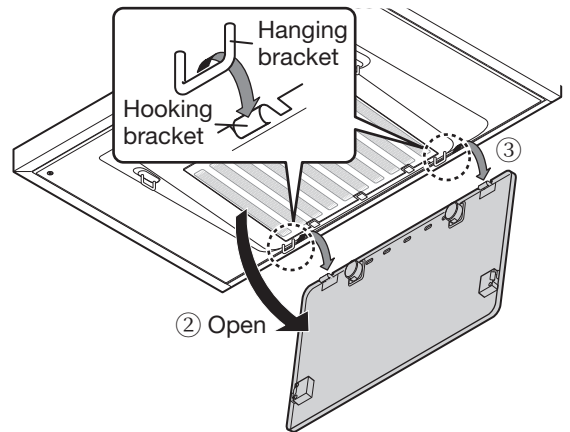
1) Support the rectifier panel with both hands and slightly push it upwards. Press the left and right arresters of the rectifier panel for detaching ( ① ).



2) Support open the rectifier panel with both hands to slowly detach it ( ② ).

3) Uphold the rear end of the rectifier panel at the position shown in the lower right figure to detach it from the hanging bracket of the cooker hood ( ③ ).

\* Be sure to detach both points at the same time. Otherwise, the metal parts may deform.

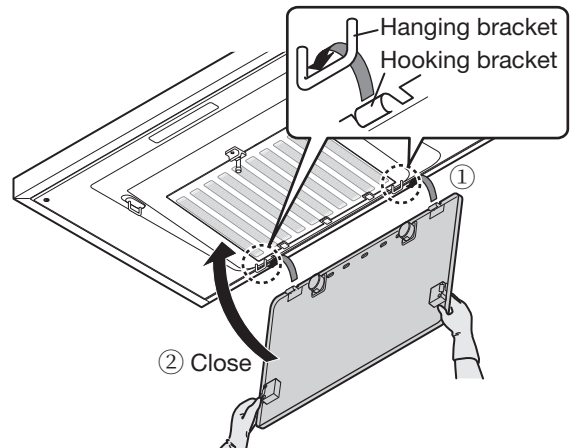


### ■ Attaching

1) Securely hang the left and right hooking bracket at the rear of the rectifier panel on the hanging bracket ( ① ) of the cooker hood.

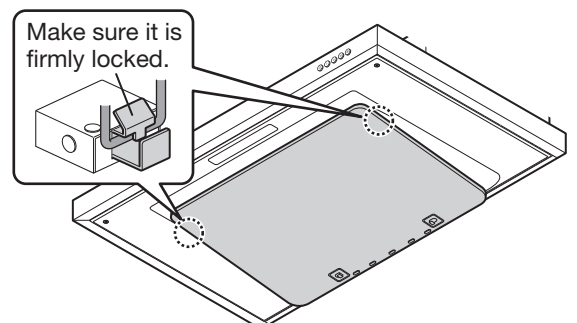
2) Support the rectifier panel with both hands and lift the front end upwards until a “snap” sound is heard, and it is secure ( ② ).

After installing, pull the rectifier panel up and down to confirm the stability.



#### Note

In order to prevent fasteners falling due to insufficient locking, please make sure that the rectifier panel is locked securely.



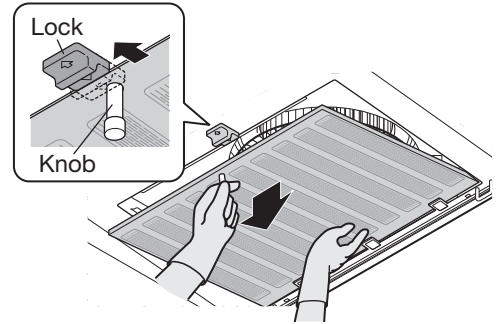
# Filter

## ■ Detaching

Slide the lock forward while holding the filter knob to remove it. Pull out the filter moving it forward while supporting it with your hand so that it does not fall, then detach it from the three hooks at the bottom of the main unit.

### Note

Be sure to hold the filter with hand when removing it. Otherwise, it may drop and result in injury.

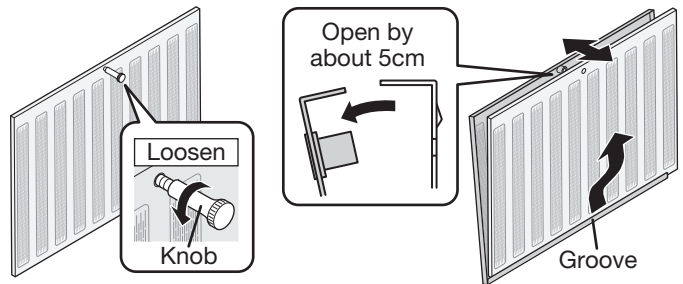


## Disassembly/Assembly of filter

### FR-FS2290RP (Recycling type) : Double filter only

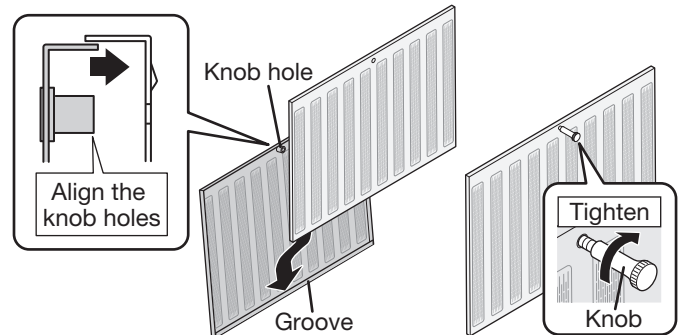
#### [Disassembly]

- 1) Remove the knob by turning it in the direction of loosen.
- \* Ensure that the removed knob does not get misplaced.
- 2) Open the upper side (where screw holes are located) by about 5cm and detach the filter by pulling it out from the groove at the bottom.



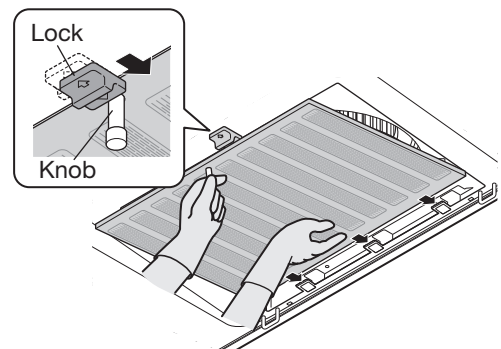
#### [Assembly]

- 1) Install the filters into the groove in such a way that the knob holes of both filters align exactly at the same place.
- 2) Attach the knob by turning it in the direction of tighten and fix it firmly.



## ■ Attaching

Insert the main unit hooks into the rear side of the filter, then push the front side of the filter onto the main unit. Slide the lock backwards to affix the filter in place.





# Cleaning

## Hood body

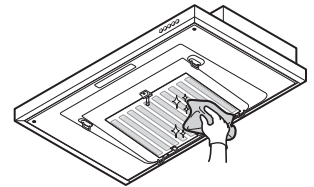
When cleaning, use a neutral detergent and soft cloth.

Do not use an organic solvent. After cleaning, wipe the hood well with a wet cloth dipped in water to remove any remaining detergent, and finally thoroughly wipe any moisture off using a dry cloth.

## Oil tray/Rectifier panel/Filter

When cleaning, use a neutral detergent and soft cloth.

Do not use an organic solvent. After cleaning, wash off with water to remove all remaining detergent, and finally thoroughly wipe any moisture off using a dry cloth.

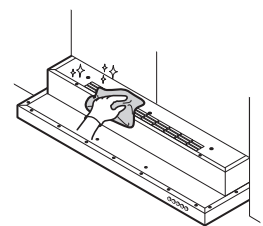


### Note

When cleaning the rectifier panel, perform it on a flat surface to avoid any sorts of deformation.

## Exhaust outlet/Cabinet (FR-FS2290RP only)

Oil will exhaust at exhaust outlet if rectifier panel and filter are not cleaned and washed regularly. If oil is seen at the exhaust outlet or cabinet, wipe off the oil with soft cloth soaked in neutral detergent. Do not use an organic solvent. After cleaning, wipe the exhaust outlet or cabinet with a wet cloth dipped in water to remove detergent and finally thoroughly wipe any moisture off using a dry cloth.



## Fan

As for cleaning of the fan, please consult Fujioh/Agent.

# Other Information

## Specifications

### FR-FS2270/90VP (Ventilating type)

Rated Voltage (V)	Speed	Frequency (Hz)	Power Consumption (W)	Air Flow (m <sup>3</sup> /h)	Sound (dB)
220	Hi	50	105	545	50
	Med		75	420	45
	Low		55	330	39
230	Hi	50	110	555	51
	Med		80	440	46
	Low		60	350	40
240	Hi	50	115	565	52
	Med		85	460	47
	Low		65	370	41

\* with 3.5 watts for lamp

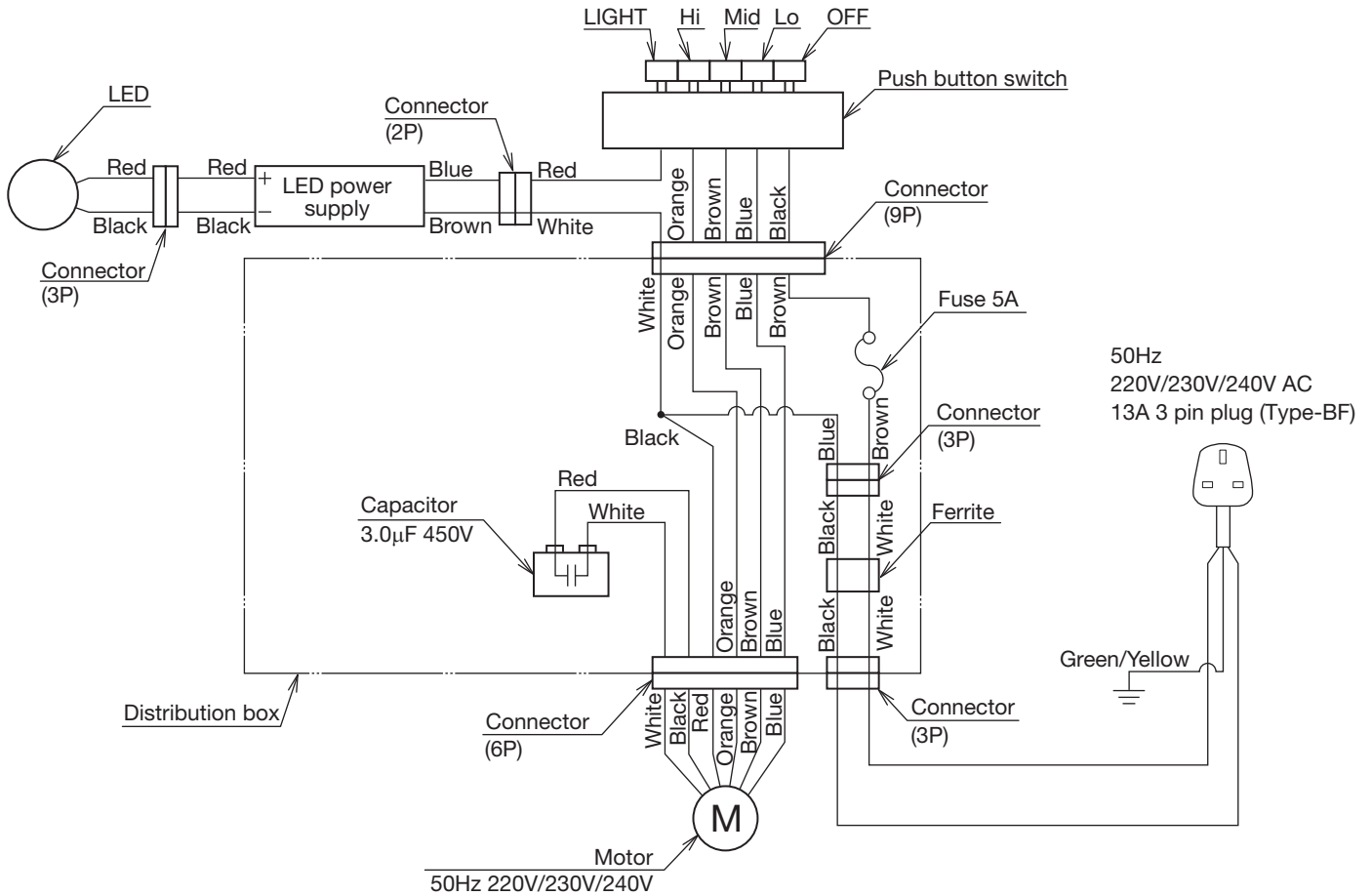
### FR-FS2290RP (Recycling type)

Rated Voltage (V)	Speed	Frequency (Hz)	Power Consumption (W)	Air Flow (m <sup>3</sup> /h)	Sound (dB)
220	Hi	50	90	395	53
	Med		65	340	49
	Low		50	285	45
230	Hi	50	95	400	53
	Med		70	350	50
	Low		55	300	46
240	Hi	50	100	405	53
	Med		75	360	51
	Low		60	310	47

\* with 3.5 watts for lamp



# Circuit diagram



Other Information

# Service and warranty

When requesting after-sales service:

- If any abnormality occurs while the cooker hood is in operation, switch the cooker hood off and check the following:

- (1) Whether the fuse in the breaker has been burnt out?
- (2) Whether the power plug is not in proper contact with the socket?

If none of the above causes are the problem, disconnect the power plug from the socket and consult the shop from which you have purchased your cooker hood.

When consulting the shop, inform the shop the type/model of cooker hood and the date of purchase.



- The minimum warranty period of performance parts for repairing the cooker hood is 5 years after termination of manufacturing of the cooker hood.

The performance parts refer to those parts for required to maintain the functions of a cooker hood. However, the warranty period of the same kinds of interchangeable parts can be prolonged to another 4 years.

Under the premise of not affecting the normal use, we are willing to repair these parts according to your instructions.

- The parts used on the cooker hood are subject to change without prior notice owing to improvement of performance.

Global Website

<https://global.fujioh.com>

**FUJIOH INTERNATIONAL TRADING PTE. LTD.**

Southeast Asia Regional Headquarters

3014A Ubi Road 1 #06-04, Singapore 408703

Tel : (65) 6286 3286 Fax : (65) 6285 3285

E-mail : [fit@fujioh.com.sg](mailto:fit@fujioh.com.sg)

**FUJIOH MARKETING MALAYSIA SDN. BHD.**

23, Jalan Serendah 26/39, Section 26, 40400

Shah Alam, Selangor, Malaysia

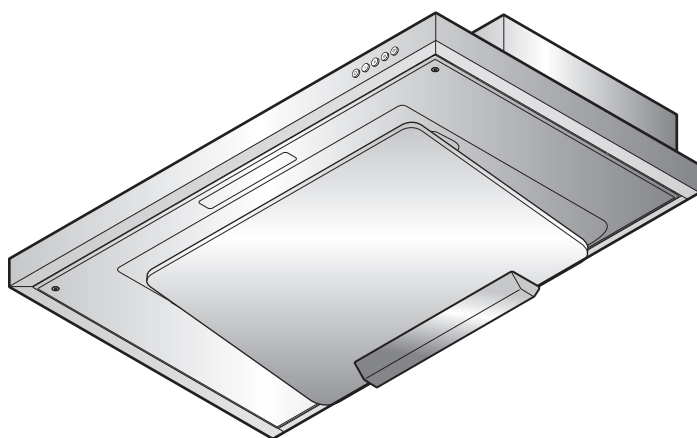
Tel : (60) 35103 6826

E-mail : [enquiry@fujioh.my](mailto:enquiry@fujioh.my)

# 吸油烟机

FR-FS2270/90VP (外排型)  
FR-FS2290RP (内循环型)

## 使用说明书



### 目 录

<b>安全注意事项</b> .....	22~24	<b>维修保养</b> .....	34~38
使用须知 .....	24	维修保养注意事项 .....	35
<b>准备</b> .....	25, 26	拆卸 / 安装需要清洗的零部件 ...	35~37
零部件名称 .....	25	清 洁 .....	38
操作按键 .....	26	<b>其他信息</b> .....	38, 39
<b>安装</b> .....	27~34	规 格 .....	38
安装前的准备和检查 .....	27, 28	电路图 .....	39
安装前的准备工作 .....	29, 30	修理与保修 .....	39
吸油烟机的安装 .....	30~33		
将卸下的零部件重新组装起来 ...	33, 34		
运行检查 .....	34		

敬告零售店及安装单位：  
在安装施工结束后，务必请  
将本使用说明书呈交顾客。

感谢购买本公司吸油烟机。  
安装 / 操作吸油烟机之前，请通读此说明书。  
阅读后，请妥善保管此说明书。



# 安全注意事项

- 安装和操作前，请阅读以下安全注意事项，以便正确、安全地使用吸油烟机。
- 这些安全注意事项旨在确保用户能正确使用本产品，以防对自己或他人造成危险或伤害。根据危险性和损害程度，安全注意事项分为“警告”和“注意”两个等级。因这些注意事项对于安全至关重要，因此务必加以注意并严格予以遵守。



## 警告

如未遵守，有可能造成严重伤害。



## 注意

如未遵守，有可能造成人身伤害或物品损害。

## 警告



四眼炉灶以下

- 本吸油烟机设计为可安装在至多四个灶头或四眼炉灶之上。



禁止拆卸、进行维修或改装

- 切勿试图拆卸、进行维修或改装。  
应请专业的技术人员进行操作。否则，可能造成火灾、触电或异常情况。



禁止使用

- 严禁在交流电压超过 220V/230V/240V 的地区使用。  
否则可能造成火灾或触电。



组装注意事项

- 必须由专业技术人员进行电力布线。  
布线不当可能会造成漏电或火灾危险。



安装注意事项

- 应至少由 2 人进行安装作业。  
吸油烟机的重量约为 15kg (FR-FS2270VP)、17kg (FR-FS2290VP)、18kg (FR-FS2290RP)。



安装注意事项

- 为了确保与主电源全极断开，应该在固定布线中设置断路器。



拔下电源插头

- 维修保养时，务必从插座上拔下电源插头，或关闭断路器。此外，请勿用湿手接触电源插头或断路器。  
否则可能会导致触电或人身伤害。



除尘

- 应定期清洁电源插头，以免积尘。  
否则可能会造成火灾或触电。



严禁喷水

- 严禁向任何电器零部件喷水。  
否则可能会造成火灾或触电。



严禁进行操作

- 发生煤气泄露时，严禁打开吸油烟机。  
否则可能会导致煤气爆炸。



注意通风






- 吸油烟机应安装在通风良好的位置。  
使用自然排气式炉具时，通风不良会导致一氧化碳中毒。



严格执行

- 热烟道用于将燃烧燃气或其他燃料产生的烟气排出室外，因此不得将吸油烟机产生的空气排入热烟道中（本条规定不适用于可将空气排放回室内的吸油烟机）。

## 警告

-  **注意调节**
  - 随时调节排气。
-  **监督要求**
  - 体质虚弱者、感官能力不足或精神状况较差者（包括儿童）或缺乏经验或知识的人员，不适宜使用本产品，除非有专人负责其安全并为其提供与本产品使用相关的监督或指导。应对儿童严加看管，切勿让其玩弄本产品。
-  **注意通风**
  - 吸油烟机与多个燃烧燃气或其他燃料的器具一起使用时，请确保室内通风良好。
-  **经常清洁**
  - 如果未按说明进行清洁，可能会引发火灾。
-  **严禁烧烤**
  - 禁止在吸油烟机下方进行烧烤。

## 注意

-  **安装注意事项**
  - 请将本产品安装在坚固的位置。否则，吸油烟机可能掉落，并造成人身伤害或物品损害。
-  **捏住电源插头端部，拔掉插头**
  - 断开电源时，应捏住电源插头，切勿拉拽电线。否则可能会损坏电线，并引发火灾或触电。
-  **拔掉插头**
  - 长时间不使用吸油烟机时，务必从插座上拔下电源插头，或断开断路器。否则可能会导致绝缘性能受损，并引起火灾或触电。
-  **禁止使用**
  - 切勿在浴室等潮湿场所使用本产品（应在浴室使用排气扇）。否则可能会造成火灾或设备故障。
-  **组装注意事项**
  - 应将维修时拆下的零部件牢固地组装好。否则，可能会发生零部件脱落或吸油烟机本身掉落，进而导致人身伤害或物品损害。
-  **组装注意事项**
  - 必须根据有关标准或规定安全布线。布线不当可能导致火灾或触电。
-  **禁止触摸**
  - 切勿在烹饪过程中触摸滤网或周围零部件。否则可能会导致滤网或零部件脱落，甚至导致烫伤或受伤。
-  **禁止触摸**
  - 吸油烟机运转时，切勿将手指或其他物品插入其中。否则可能导致机器故障或人身伤害。
-  **禁止操作**
  - 锅具着火时应立即关闭吸油烟机。否则吸油烟机会助长火势，造成危险。
-  **安装注意事项**
  - 当吸油烟机正好位于炊具上方时，炊具的上边缘与吸油烟机下边缘之间的距离应为650mm~850mm。如果炊具使用说明书规定了更大间距，则必须加以考虑。

## ⚠ 注意



禁止放置  
物品

- 请勿在吸油烟机上放置任何物品。  
否则可能导致火灾、机器故障或因物品掉落导致受伤。



戴工作手套

- 维修保养时务必戴上工作手套。  
否则可能会被尖锐边角划伤。



更换受损  
电线

- 如果电线受损，必须由制造商、服务代理机构或拥有同等资格的人员予以更换，以免造成危险。



禁止

- LED灯打开时，请勿直视。



注意

- 当油杯内油量达到一半时，请及时清理，以防止油溢出或移除油杯时油杯内有油滴落。



安装注意  
事项

- 为防止本产品掉落，使用塑料膨胀管时，请配用相应规格的钻头，以确保无缝贴合。



严格执行

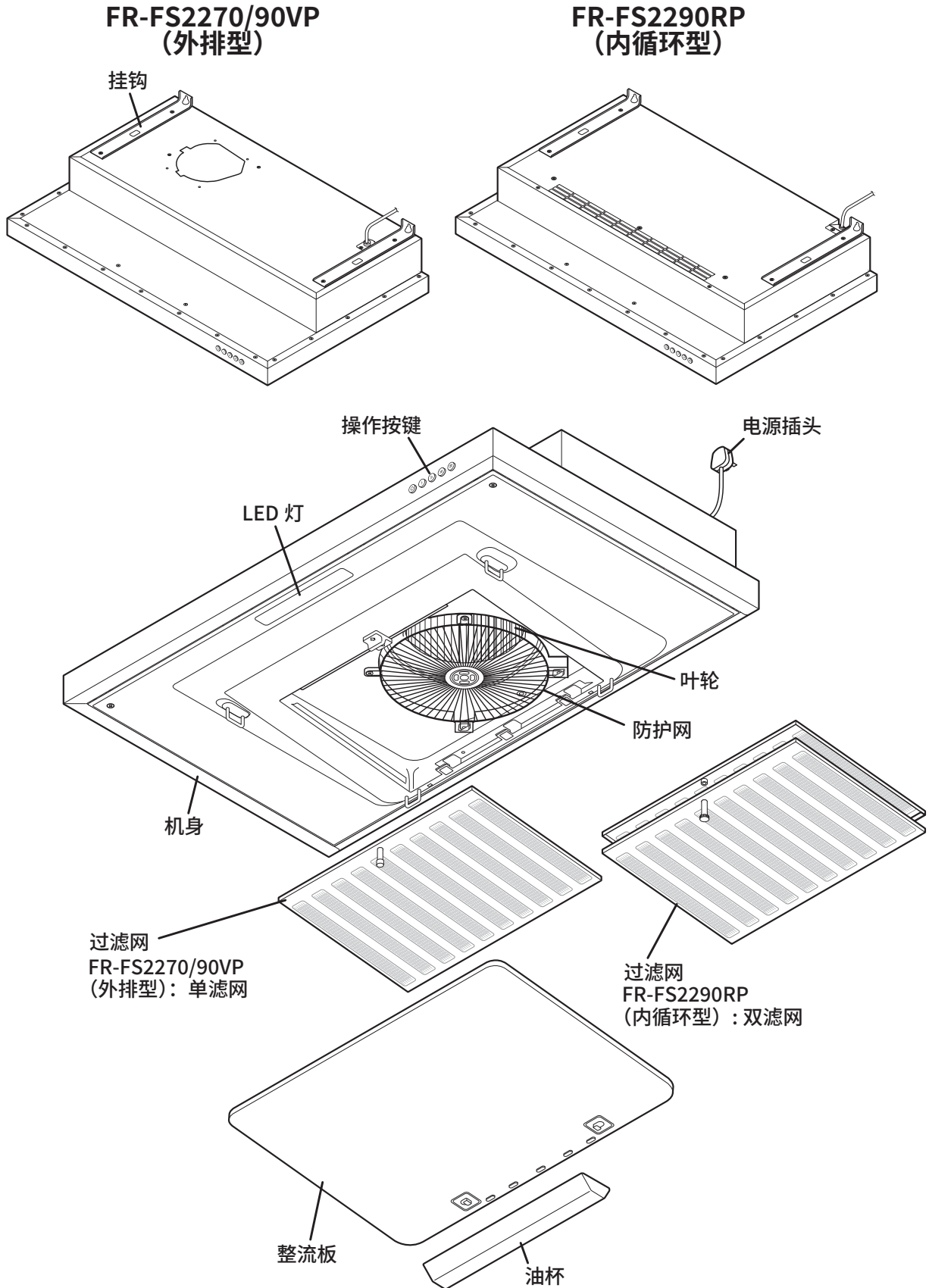
- 确保将排气管接到室外。为避免发生火灾并保持清新空气的流通，请将废气排到室外。  
请勿将其排放到墙体、阁楼或车库中。

## 使用须知

- 烹饪时，请打开吸油烟机。  
否则，吸油烟机可能会因温度升高而损坏或发生故障。
- 切勿在未放置任何炊具的情况下使用燃气灶。  
否则，吸油烟机可能会因机身温度过高而发生故障。
- 使用电磁炉时，吸油烟机的吸油烟性能可能会因侧风的影响而降低。  
此外，如果在低温环境使用吸油烟机，其表面可能会结露。  
此时，应先将吸油烟机擦拭干净，然后再予使用。
- 避免空调直吹。  
否则，空调直吹可能会导致吸油烟性能下降。  
在开阔空间中，尤其是电磁炉不产生上升气流时，吸油烟机性能很容易受到影响。
- 吸油烟机运行过程中，应确保良好的通风环境。  
吸油烟机对面墙体上应预留足够的进风口，或将厨房门适当打开。  
否则，吸油烟性能可能会下降，或可能产生异常噪音、振动。
- 确保热水器与吸油烟机之间至少间隔 500mm。  
由于热水器周围的温度较高，因此应与吸油烟机保持 500mm 以上的距离。  
切勿将吸油烟机安装在热水器的上方。否则，吸油烟机可能会因温度升高而损坏或发生故障。
- 切勿在整流板拆下的情况下使用吸油烟机。  
否则，吸油烟性能可能会下降。
- 处理废旧吸油烟机时，将其处理到他人无法继续使用的状态后再废弃。

# 准备

## 零部件名称



准备



## ■ 装箱清单

### FR-FS2270/90VP (外排型)

名称	用途	数量
主机	—	1
排气口	连接主机和排气管	1
软密封带	密封排气口和排气管	1
垫圈木螺丝 (Ø5.1×25)	安装主机	6
垫圈木螺丝 (Ø5.1×45)	安装主机	4
固定螺丝 (M4×8)	安装排气口	4
油杯	集取使用过后的油	1

准  
备

### FR-FS2290RP (内循环型)

名称	用途	数量
主机	—	1
垫圈木螺丝 (Ø5.1×25)	安装主机	6
垫圈木螺丝 (Ø5.1×45)	安装主机	4
油杯	集取使用过后的油	1

## 操作按键



- |       |                |
|-------|----------------|
| ○ 按钮  | 关闭叶轮           |
| 〉 按钮  | 用于轻油烹饪 (蒸煮等)   |
| » 按钮  | 用于中油烹饪 (清炒蔬菜等) |
| »» 按钮 | 用于重油烹饪 (炸鱼等)   |
| ☀ 按钮  | 开关灯            |

# ■ 安 装

## 安装前的准备和检查

### ⚠ 注意

1. 安装吸油烟机时应小心谨慎，避免接触建筑物的任何金属零部件（墙壁上的金属网等）。
2. 切勿将吸油烟机机身嵌入墙内。否则，可能会导致主机漏电。
3. 热烟道用于将燃烧气体或其他燃料产生的烟气排出室外，因此不得将吸油烟机产生的空气排入热烟道中（本条规定不适用于可将空气排放回室内的吸油烟机）。
4. 当吸油烟机正好位于炊具上方时，炊具的上边缘与吸油烟机下边缘之间的距离应为 650mm~850mm。如果炊具使用说明书规定了更大间距，则必须加以考虑。
5. 使用宽度小于吸油烟机宽度的燃气灶。
6. 避免使用规格发生变动的吸油烟机，例如操作按键被改装。
7. 切勿将吸油烟机安装在潮湿区域或其他潮湿房间，否则可能会导致触电或损坏。
8. 切勿将吸油烟机安装在环境温度超过 40°C 的位置，否则可能会导致机器故障。
9. 为防止伤手，安装吸油烟机时请戴上工作手套。
10. 如果电线受损，应由制造商或其服务机构或拥有同等资格的人员进行更换，以防发生任何危险。

## 检查安装面的强度

安装面应具有足够的强度来支撑吸油烟机。应将吸油烟机安装在能够牢固持久地支撑吸油烟机重量的位置。

【产品重量 15kg (FR-FS2270VP)、17kg (FR-FS2290VP)、18kg (FR-FS2290RP)】

### ■ 安装在板墙上

- 如果板墙厚度超过 20mm，则可直接将吸油烟机安装到墙上。
- 如果板墙厚度小于 20mm，则应埋入增强板，再将吸油烟机安装到此板上。

### ■ 安装在混凝土 / 瓷砖墙上

- 在墙内预埋增强板，或使用塑料膨胀管或类似零部件。

## 电源插头

该吸油烟机使用三芯电源插头。

务必使用吸油烟机专用的墙壁插座。

## 检查附件

从包装箱中取出主机和附件，并检查装箱清单上的附件是否齐全。

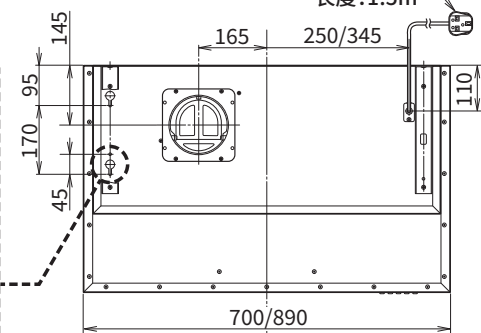
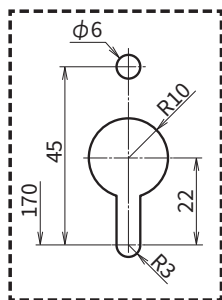
# 确认安装位置 (单位: mm)

## 安装

FR-FS2270/90VP

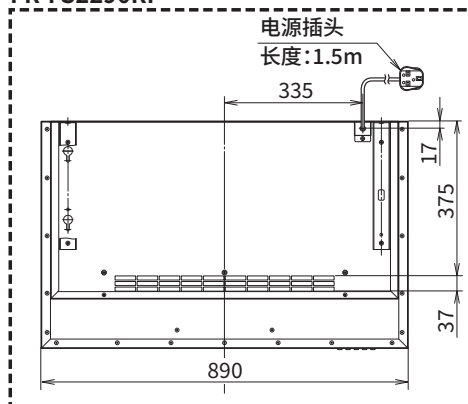
电源插头  
长度:1.5m

吸油烟机  
安装孔细节

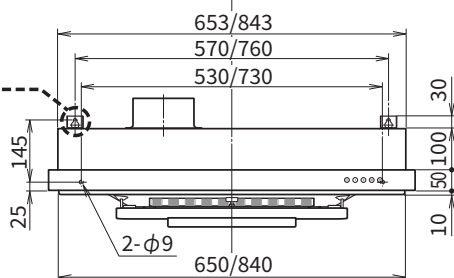
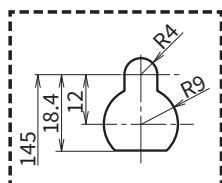


FR-FS2290RP

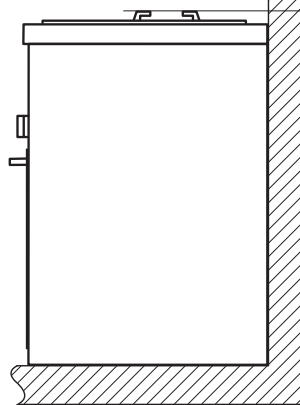
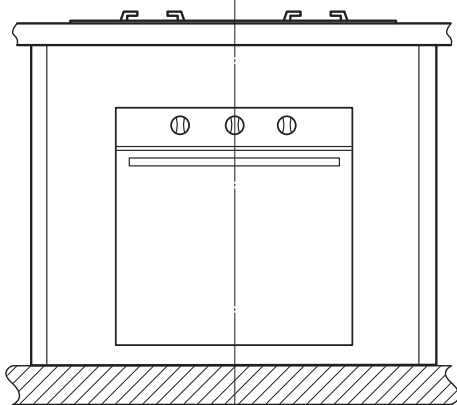
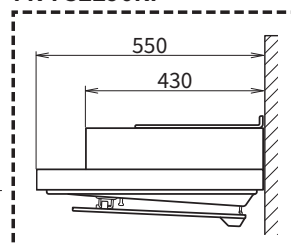
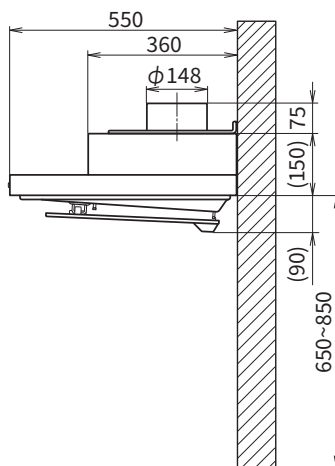
电源插头  
长度:1.5m



吸油烟机  
安装孔细节



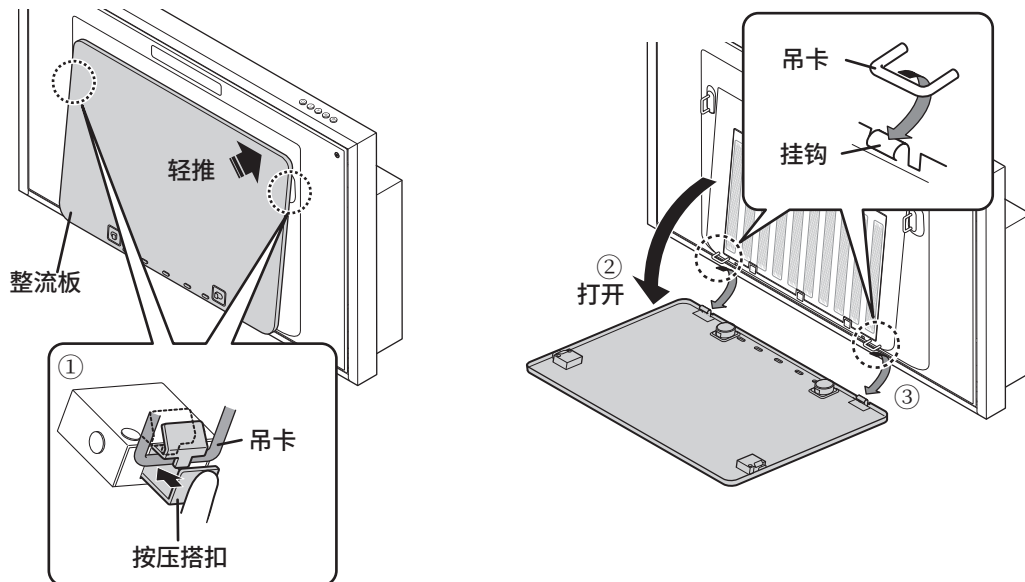
FR-FS2290RP



# 安装前的准备工作

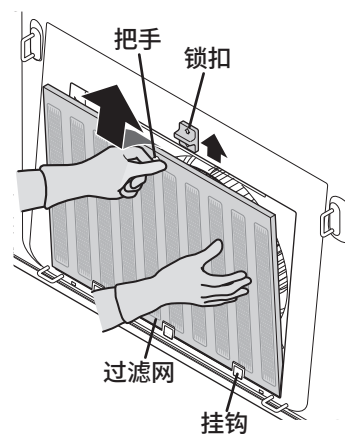
## 1 卸下整流板

- 1) 用双手撑住整流板，轻轻向前推。按下整流板左右搭扣，使其分离（①）。
  - 2) 用双手撑住整流板，慢慢将其分离（②）。
  - 3) 在右图所示位置举起整流板后端，将其从吸油烟机的吊卡上卸下（③）。
- \* 确保同时卸下左右两处。否则会造成金属零部件变形。



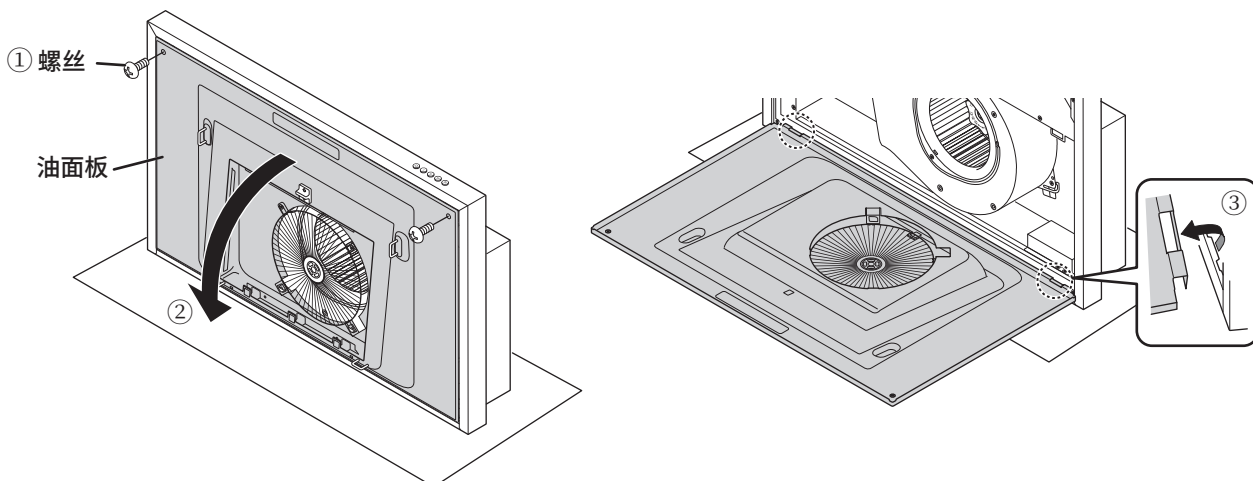
## 2 卸下过滤网

- 1) 握住过滤网把手，向上滑动锁扣，将其拆下。
- 2) 取出过滤网，使其上移，同时用手支撑，使其不会掉落，然后将其从主机底部的三个挂钩上卸下。



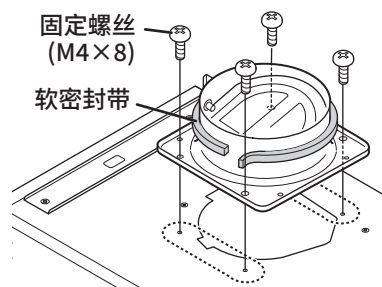
## 3 卸下油面板

- 1) 将油面板固定至机身的两个螺丝拧松（①）。
- 2) 用双手撑住油面板，慢慢将其分离（②）。
- 3) 在右下图所示位置举起油面板后端，将其从机身上卸下（③）。



## 4 固定排气口 (仅限 FR-FS2270/90VP)

用提供的固定螺丝 (M4×8) 将提供的排气口固定好。然后在提供的排气口周围贴上提供的软密封带。



### 注意

连接排气口时, 应注意挡气板的开启方向。如果安装不当, 可能导致排气不畅、异常噪音等。

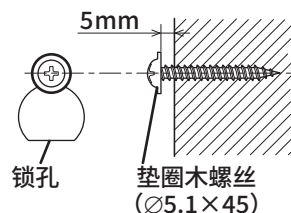


## 吸油烟机的安装

### ■ 壁挂式

#### 1 将垫圈木螺丝拧入墙面

参考第 28 页的“确认安装位置”, 将提供的垫圈木螺丝 (Ø5.1×45) 插入安装架左右锁孔的安装壁中。在墙壁和螺丝头之间留出约 5mm 的间隙, 以便悬挂吸油烟机。

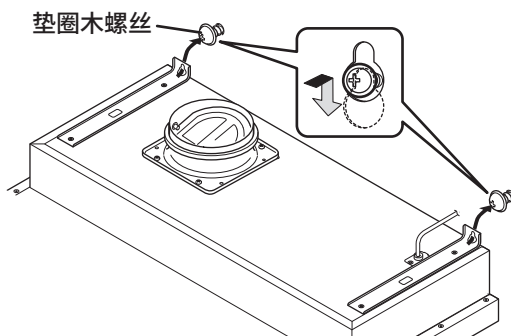


### 注意

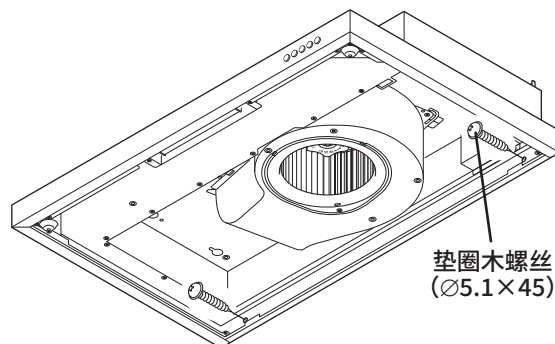
如需加固, 请与安装服务商联系安排。

#### 2 安装吸烟油机

1) 将吸烟油烟机的锁孔对准提供的垫圈木螺丝, 并拧紧螺丝。



2) 将提供的 2 个垫圈木螺丝 (Ø5.1×45) 牢牢固定在吸烟油烟机的后端。



### 3 连接排气管和排气口

(仅限 FR-FS2270/90VP)

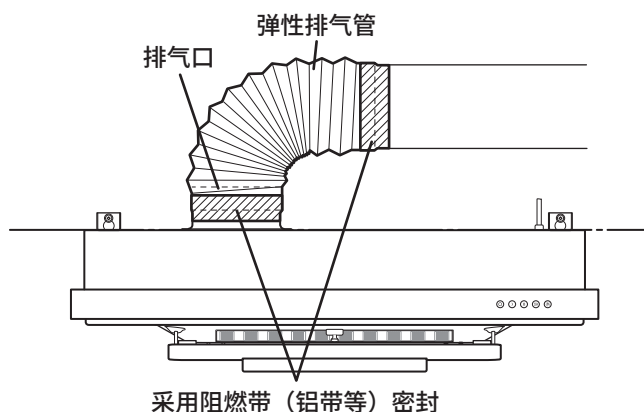
将  $\varnothing 150$  弹性排气管或类似零部件与提供的排气口相连接。

使用阻燃带，如铝带等（不随机提供）固定提供的排气口，并保证其气密性。

**注意**

排气管越长，通风效果越差。

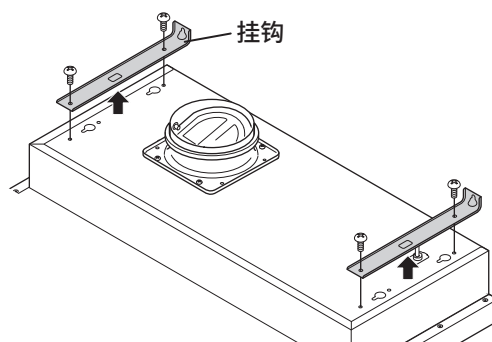
完成此操作后，继续第 33 页的“将卸下的零部件重新组装起来”。



## ■ 上侧安装

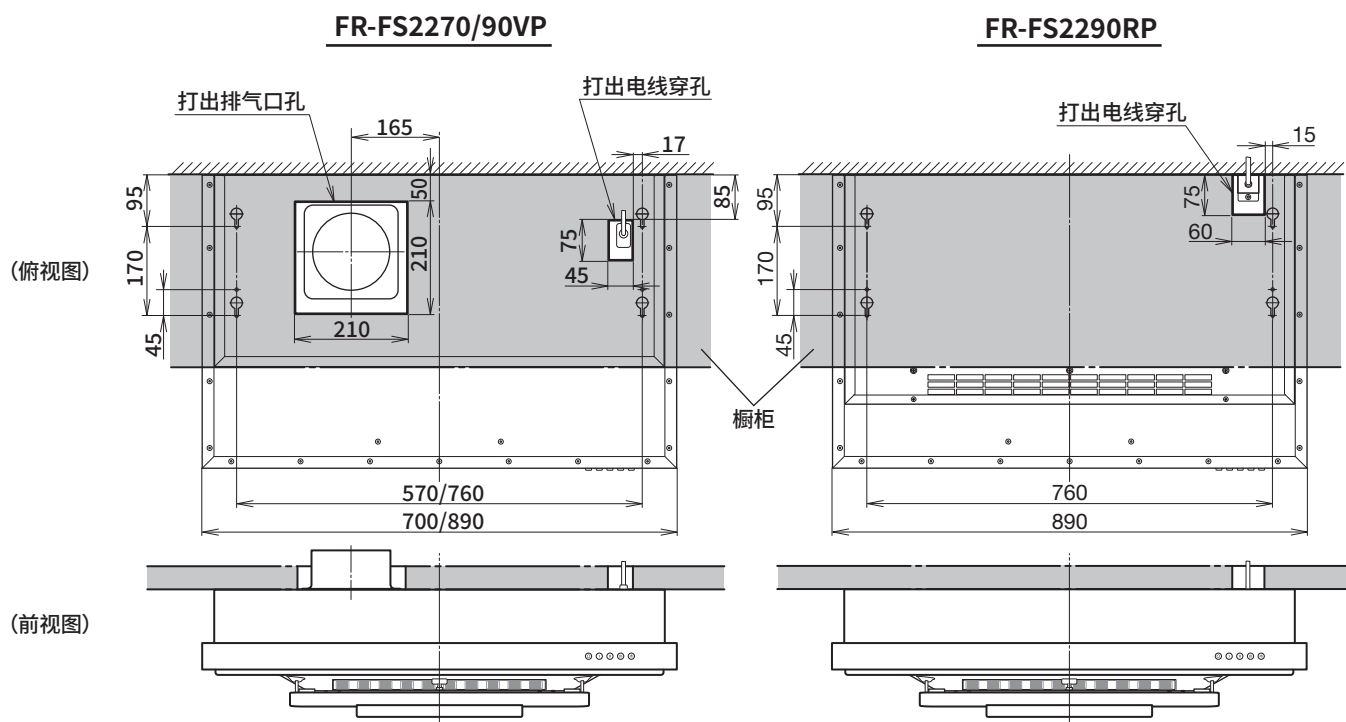
### 1 从吸油烟机上卸下挂钩

卸下连接在吸油烟机上两侧的挂钩。



### 2 在安装面（橱柜）上打孔

参考下图，在安装面（橱柜）上打孔，用于敷设电线和当作排气口（仅限 FR-FS2270/90VP）。

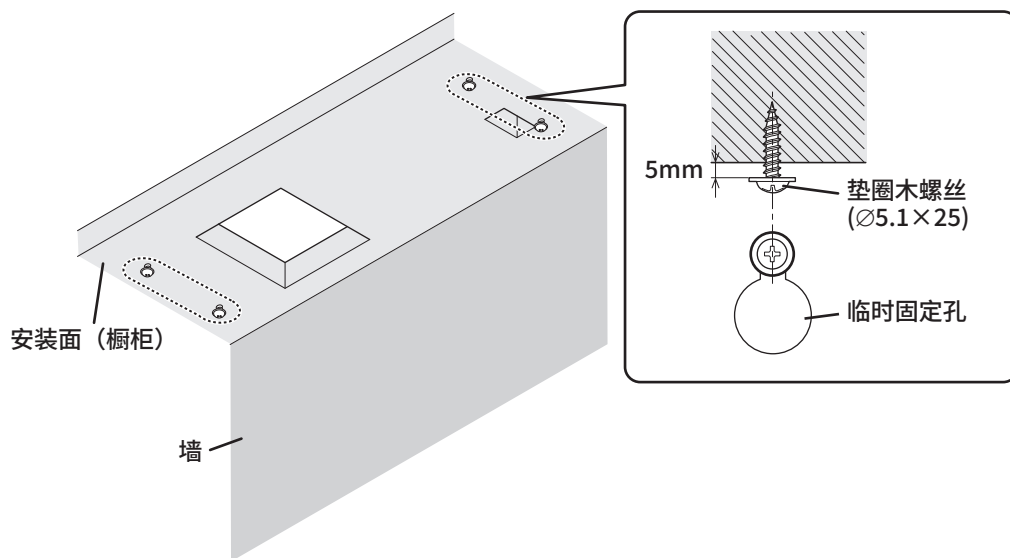


### 3 将垫圈木螺丝拧入安装面

参考第 28 页的“确认安装位置”，将提供的垫圈木螺丝（ $\text{Ø}5.1 \times 25$ ）插入主机上侧锁孔的安装面。在墙壁和螺丝头之间留出约 5mm 的间隙，以便悬挂吸油烟机。

#### 注意

如需加固，请与安装服务商联系安排。



### 4 在安装面上安装吸油烟机（橱柜）

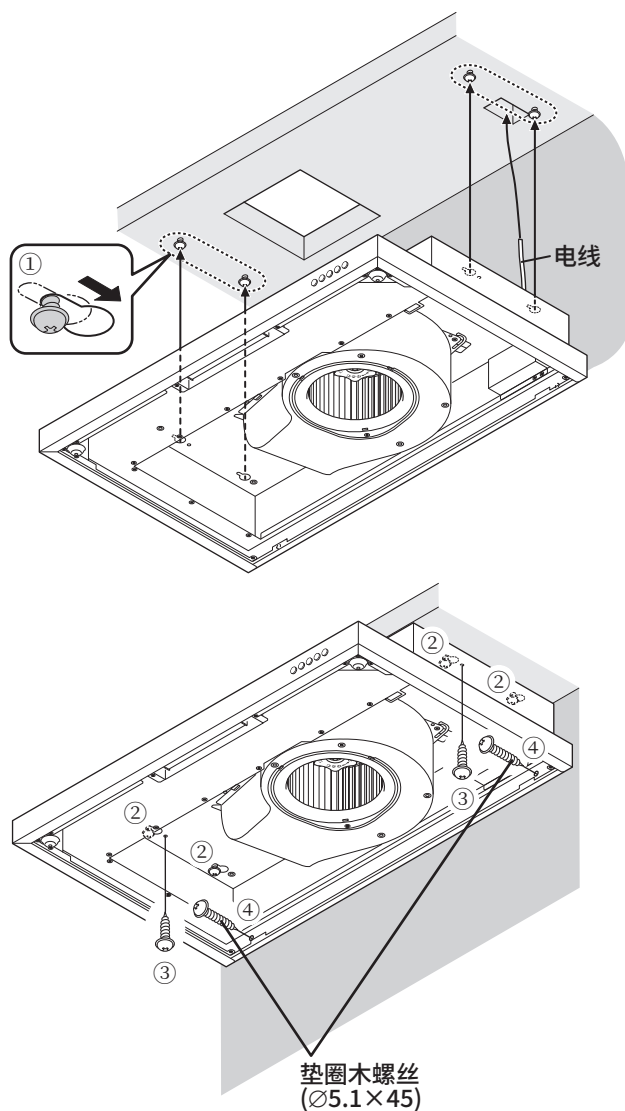
1) 如右侧所示，将吸油烟机上侧的临时固定孔对准上述安装好的螺丝插上去，并将临时固定孔滑至螺丝的底端（①）。

\* 牢牢端住吸油烟机，确保吸油烟机在此过程中不会掉落。

2) 将 4 个提供的垫圈木螺丝（ $\text{Ø}5.1 \times 25$ ）完全拧入临时固定孔中（②）。

3) 将提供的 2 个垫圈木螺丝（ $\text{Ø}5.1 \times 25$ ）拧入吸油烟机上侧的 2 个圆孔中，位置如右图所示（③）。

4) 将提供的 2 个垫圈木螺丝（ $\text{Ø}5.1 \times 45$ ）拧入主机后侧的孔中，位置如右图所示（④）。





# 5

## 连接排气管和排气口

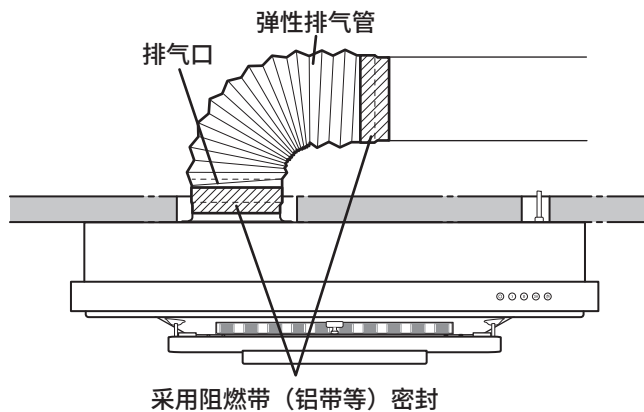
(仅限 FR-FS2270/90VP)

将  $\varnothing 150$  弹性排气管或类似零部件与提供的排气口相连接。

使用阻燃带，如铝带等（不随机提供）固定提供的排气口，并保证其气密性。

### 注意

排气管越长，通风效果越差。

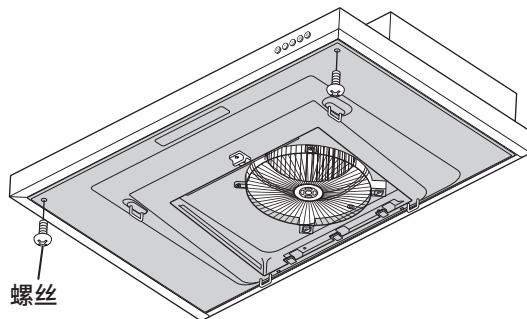
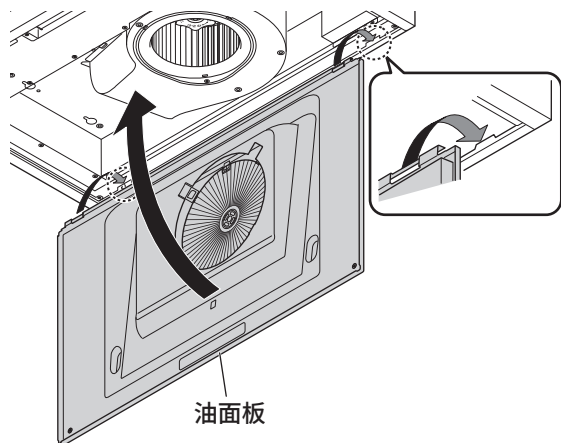


## 将卸下的零部件重新组装起来

# 1

### 安装油面板

将油面板的后端卡住凹槽，然后抬起其前部。握住油面板，用 2 个螺丝将其固定。



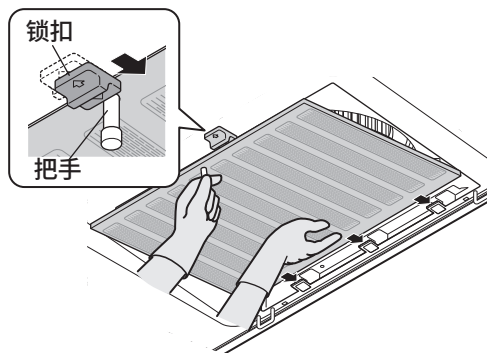
# 2

### 安装过滤网

将主机搭扣插入过滤网后侧，然后将过滤网前侧推到主机上。向后滑动锁扣，将过滤网固定就位。

### 注意

安装过滤网时，务必用手握住过滤网。否则，过滤网可能会掉落，并导致人员受伤。

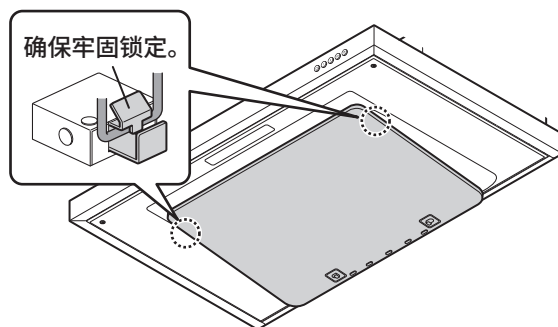
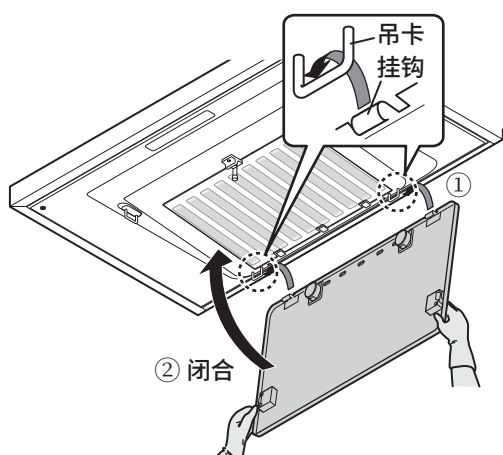


### 3 安装整流板

- 1) 将整流板后端的左右挂钩牢固吊挂在吸油烟机的吊卡（①）上。
- 2) 双手一边撑住整流板，一边向上举起前端直到发出“咔哒”声，然后将其固定（②）。安装完成后，上下拉动一下整流板，确保其不会掉落。

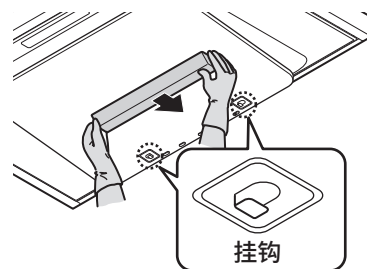
#### 注意

为避免因未锁好而导致固件脱落，请务必保证整流板固定到位。



### 4 安装油杯

将提供的油杯安装到整流板上。将提供的油杯的 2 个凸出部对准整流板的安装挂钩，插入，向后滑动，并将其固定。



## 运行检查

关闭配电盘上的断路器，然后将电源插头插到插座上。

将断路器打开后，再将吸油烟机打开，检查其运行情况。有关操作按键和运行状态，请参考第 26 页说明。

- 吸油烟机运转时，检查叶轮各档是否正常。
- 经检查，确认无异常噪声或振动。

## 维修保养

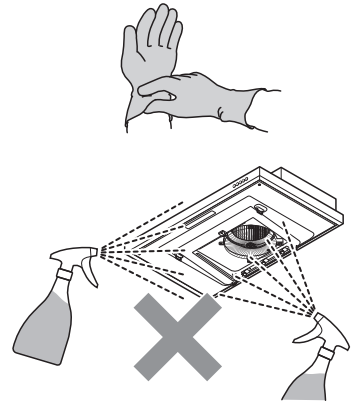
因吸油烟机容易附着油污，因此应经常清洁吸油烟机（尤其是每月至少清洁一次过滤网。如果一户人家每天至少做两顿饭，则应每两周就清洁一次过滤网）。

如果长时间不清洁，吸油烟机上将会积聚大量油污，形成难以去除的油脂硬块。

油杯、吸油烟机四周、整流板如有油污，应及时清洁（清洁频率：约每月一次）。

# 维修保养注意事项

- 清洁吸油烟机前，务必从插座上拔下电源插头，或关闭断路器。
- 为安全起见，清洁过滤网等零部件时，应戴好橡胶手套。
- 特别注意，防止将水泼到电机、操作按键、接插件之类的电器零部件上。请勿向电器零部件喷洒任何类型的洗涤剂。否则会造成故障。
- 请勿用例如稀释剂之类的溶剂、苯类、抛光粉等清洁涂漆表面、油面板等，否则会使这些零部件失去光泽或造成划痕。
- 请勿用硬毛刷之类的物品擦洗各零部件，否则会使零部件受损。
- 如果不按照说明书规定进行清洗，吸油烟机可能存在起火危险。



## 拆卸 / 安装需要清洗的零部件

请按照与拆卸时相反的步骤，安装各零部件。

### 油杯

#### ■ 拆卸

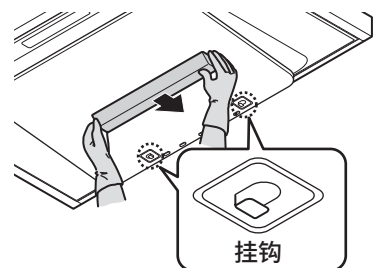
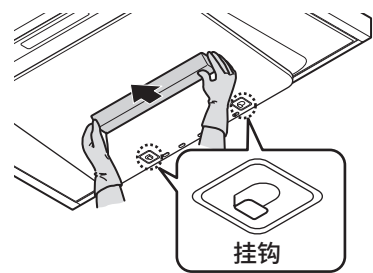
将2个突出部从整流板挂钩中拉出，以拆下油杯。拆卸时，确保油杯内的油不会溢出或洒出。

#### 注意

短时间内可能不会积聚大量废油脂，这取决于使用频率，这属于正常现象。

#### ■ 安装

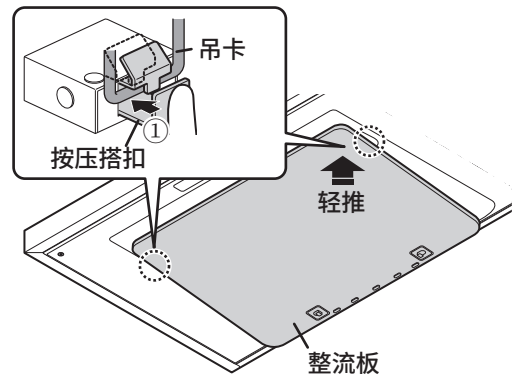
将油杯安装到整流板上。将油杯的2个突出部与整流板的安装挂钩对齐。插入突出位置，向后滑动油杯并将其固定。



# 整流板

## ■ 拆卸

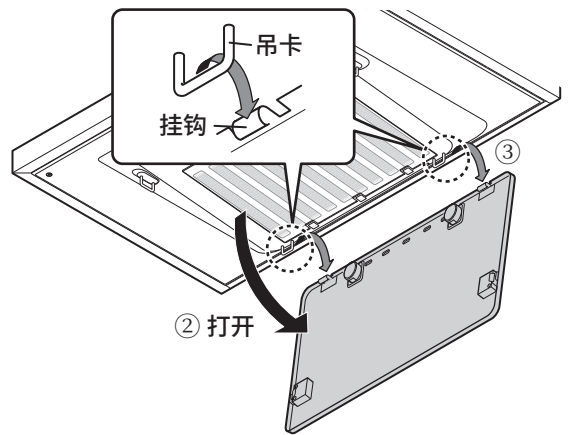
1) 用双手撑住整流板，同时轻轻上推。按压整流板的左右的搭扣，将其卸下（①）。



2) 用双手支撑打开整流板，同时慢慢地将其卸下（②）。

3) 将整流板后端抬起，位置如右下图所示，将其从吸油烟机的吊卡上卸下（③）。

\* 请一定同时卸下左右两处。否则会造成金属零部件变形。

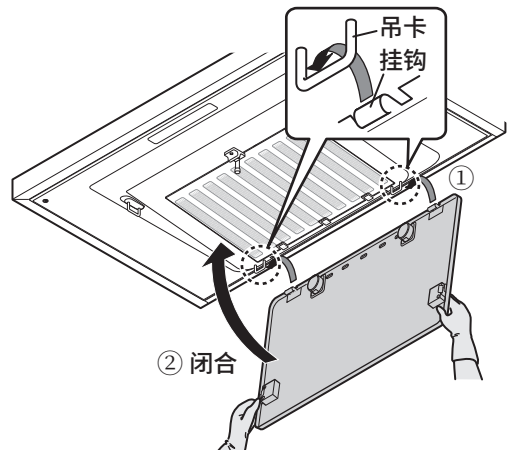


## ■ 安装

1) 将整流板后端的左右挂钩牢固吊挂在吸油烟机的吊卡上（①）。

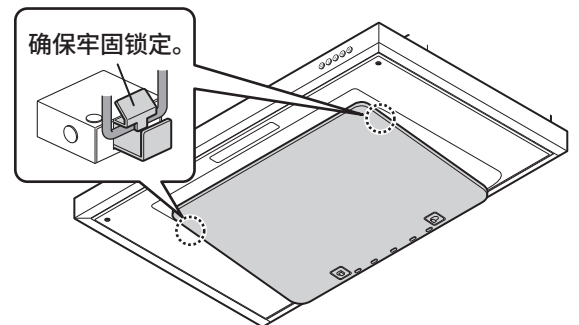
2) 双手一边撑住整流板，一边向上举起前端直到发出“咔哒”声，将其固定（②）。

安装后，上下拉动一下整流板，确认其安装牢固不会脱落。



## 注意

为避免因未锁好而导致固件脱落，请务必保证整流板固定到位。



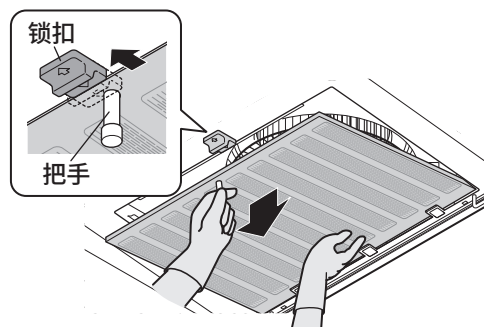
# 过滤网

## ■ 拆卸

握住过滤网的把手，向前滑动锁扣，将其拆下。  
向前移动拉出过滤网，同时用手撑住，确保其不会掉落，然后将其从主机底部的三个挂钩上拆下。

### 注意

拆卸过滤网时，务必用手握住。  
否则，过滤网可能会掉落，进而导致受伤。

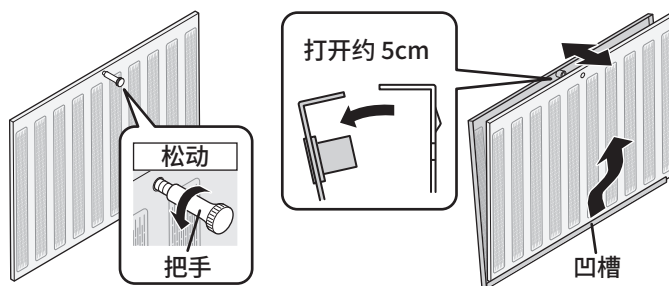


## 过滤网的拆卸 / 组装

FR-FS2290RP（内循环型）：仅适用于双滤网

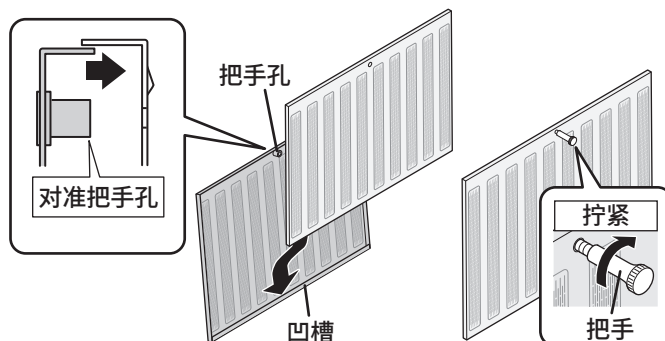
### 【拆卸】

- 1) 按松开方向，转动把手，将其拆下。  
\* 请勿弄丢拆下的把手。
- 2) 将上侧（螺孔所在位置）打开约 5cm，然后将过滤网从底部的凹槽中拉出，将其拆下。



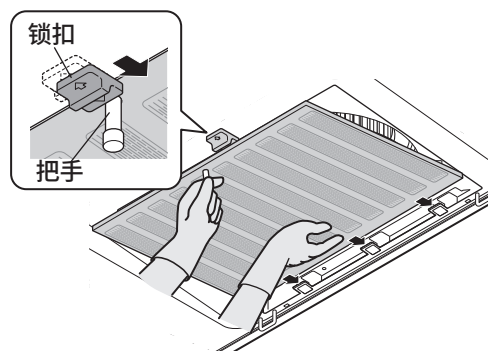
### 【组装】

- 1) 使过滤网的把手孔对准同一位置，将过滤网安装到凹槽中。
- 2) 按拧紧方向，转动把手，使其固定到位。



## ■ 安装

将主机挂扣插入过滤网后侧，然后将过滤网前侧推到主机上。  
向后滑动锁扣，将过滤网固定到位。



# 清洁

## 机身

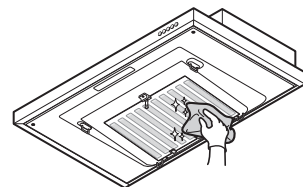
使用中性清洁剂和软布进行清洁。

严禁使用有机溶剂。清洁后，用蘸水的湿布擦拭吸油烟机，去除所有残留的清洁剂，最后用干布彻底擦掉所有水分。

## 油杯 / 整流板 / 过滤网

使用中性清洁剂和软布进行清洁。

严禁使用有机溶剂。清洁后，用水冲洗干净，去除所有残留的清洁剂，最后用干布彻底擦掉所有水分。

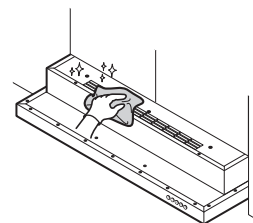


### 注意

清洁整流板时，应将其放在平坦表面上，避免导致任何变形。

## 排气口 / 橱柜 (仅限 FR-FS2290RP)

如未定期清洁整流板和过滤网，油污可能会积聚在排气口或橱柜上。如在排气口或橱柜处发现油污，请使用中性洗涤剂 and 软布擦拭。请勿使用有机溶剂。清洁后，用蘸水的湿布擦拭排气口或橱柜，擦干净洗涤剂，最后用干布彻底擦掉所有水分。



## 叶轮

关于叶轮的清洁，请咨询富士帝或代理商。

维修保养

其他信息

# 其他信息

## 规格

### FR-FS2270/90VP (外排型)

额定电压 (V)	档位	额定频率 (Hz)	消耗功率 (W)	风量 (m <sup>3</sup> /h)	噪声 (dB)
220	高档	50	105	545	50
	中档		75	420	45
	低档		55	330	39
230	高档	50	110	555	51
	中档		80	440	46
	低档		60	350	40
240	高档	50	115	565	52
	中档		85	460	47
	低档		65	370	41

\* 消耗功率含照明灯 3.5W

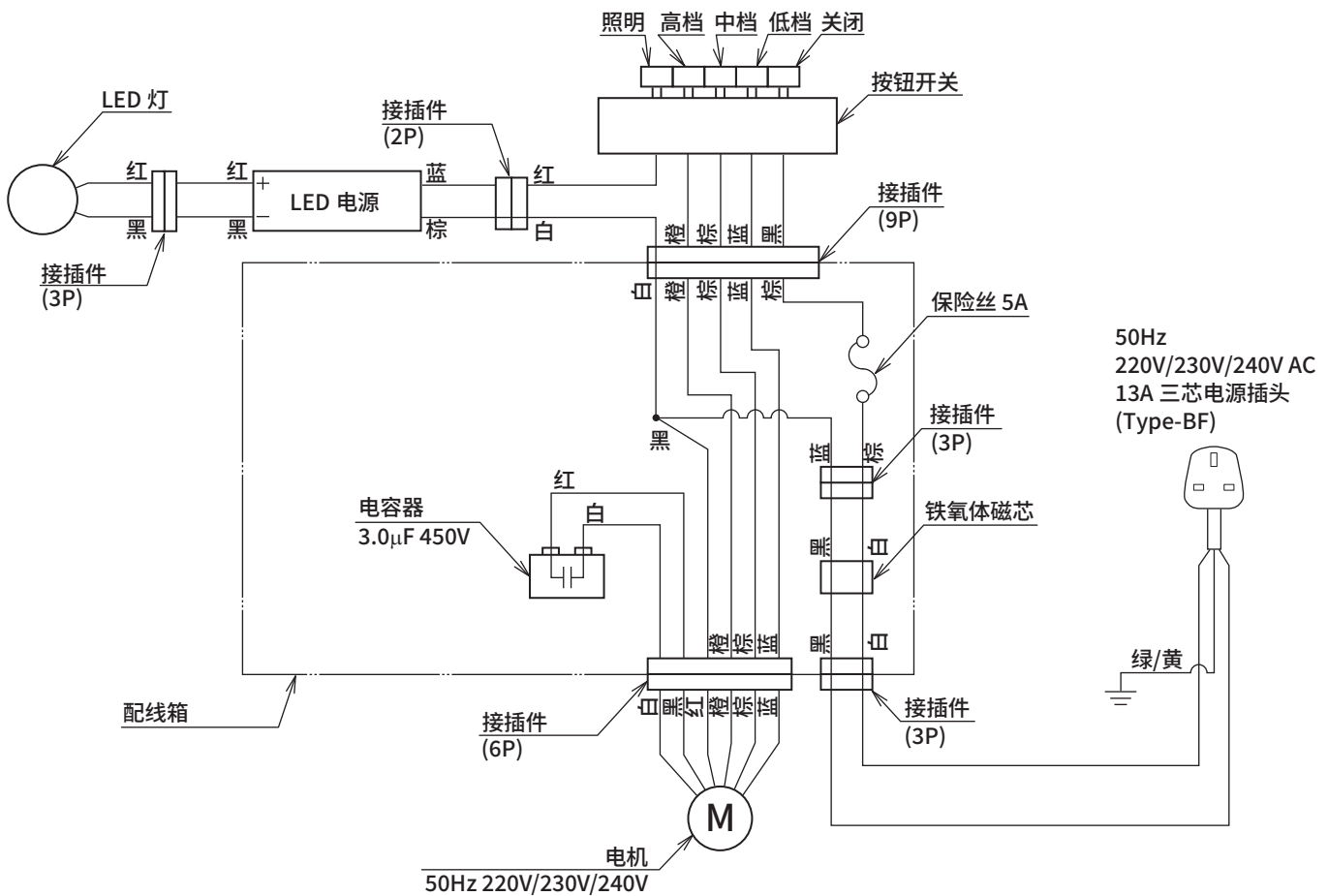
### FR-FS2290RP (内循环型)

额定电压 (V)	档位	额定频率 (Hz)	消耗功率 (W)	风量 (m <sup>3</sup> /h)	噪声 (dB)
220	高档	50	90	395	53
	中档		65	340	49
	低档		50	285	45
230	高档	50	95	400	53
	中档		70	350	50
	低档		55	300	46
240	高档	50	100	405	53
	中档		75	360	51
	低档		60	310	47

\* 消耗功率含照明灯 3.5W



# 电路图



其他信息

# 修理与保修

申请维修：

在操作过程中如果发生异常，应立即关掉吸油烟机进行检查：

- 1) 保险丝是否熔断了？
- 2) 电源插头与插座的连接是否正确？

若确认不是上述问题，请立即拔下电源插头，与当初购买本机时的销售商联系。与销售商联系时，需说明产品型号及购买日期。



- 本型号机停止生产后仍可提供维修所需性能零部件的最低保证期为 5 年。

性能零部件是指维持吸油烟机正常使用功能所必需的基本零部件。

对于相同类型可互换零部件的提供保证期可再延长 4 年。

在对使用不产生影响的前提下，我们将按照您的要求选用这些零部件进行维修。

- 为提高吸油烟机性能，有可能在不预先通知的情况下进行产品零部件的更新。



全球网站

<https://global.fujioh.com>

**FUJIOH INTERNATIONAL TRADING PTE. LTD.**

东南亚地区总部

3014A Ubi Road 1 #06-04, Singapore 408703

Tel : (65) 6286 3286 Fax : (65) 6285 3285

E-mail : [fit@fujioh.com.sg](mailto:fit@fujioh.com.sg)

**FUJIOH MARKETING MALAYSIA SDN. BHD.**

23, Jalan Serendah 26/39, Section 26, 40400

Shah Alam, Selangor, Malaysia

Tel : (60) 35103 6826

E-mail : [enquiry@fujioh.my](mailto:enquiry@fujioh.my)

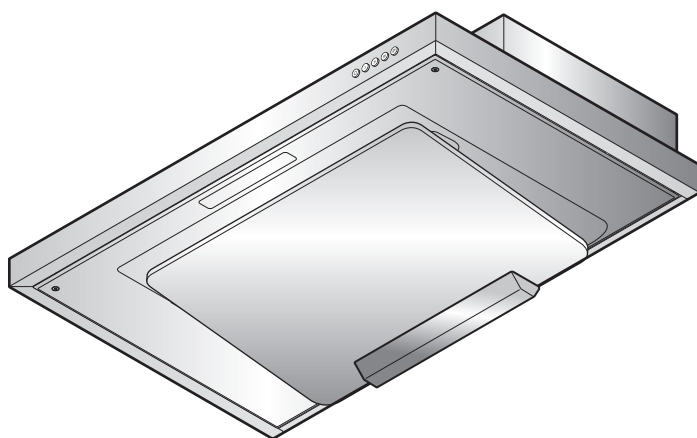
-FUJIOH-

# 吸油煙機

MADE IN  
**JAPAN**  
日本製

FR-FS2270/90VP (排氣型)  
FR-FS2290RP (循環型)

## 使用說明書



### 目 錄

安全注意事項 .....	42~44	維修保養 .....	54~58
使用須知 .....	44	維修保養注意事項 .....	55
準備 .....	45, 46	拆卸 / 安裝需要清洗的零部件... 55~57	
零部件名稱 .....	45	清潔 .....	58
操作按鍵 .....	46	其他資訊 .....	58, 59
安裝 .....	47~54	規格 .....	58
安裝前的準備和檢查 .....	47, 48	電路圖 .....	59
安裝前的準備工作 .....	49, 50	維修與保固 .....	59
吸油煙機的安裝 .....	50~53		
將卸下的零部件重新組裝起來... 53, 54			
運行檢查 .....	54		

致各零售店及安裝單位：  
在安裝施工結束後，務必請將本  
使用說明書呈交顧客。

感謝購買本公司吸油煙機。  
安裝／操作吸油煙機之前，請詳閱此說明書。  
閱讀後，請妥善保管此說明書。

1F02 2882



# 安全注意事項

- 安裝和操作前，請閱讀以下安全注意事項，以便正確、安全地使用吸油煙機。
- 這些安全注意事項旨在確保您能正確使用本產品，以防對自己或他人造成危險或傷害。根據危險性和損害程度，安全注意事項分為「警告」和「注意」兩個等級。因這些注意事項對於安全至關重要，因此務必加以注意並嚴格予以遵守。



**警告**

如未遵守，有可能造成嚴重傷害。



**注意**

如未遵守，有可能造成人身傷害或物品損害。

## 警告



四口爐灶以下

- 本吸油煙機設計為可安裝在至多四個爐口或四口爐灶之上。



禁止拆卸、進行維修或改裝

- 切勿試圖拆卸、進行維修或改裝。應請專業的技術人員進行操作。否則，可能造成火災、觸電或異常情況。



禁止使用

- 嚴禁在交流電壓超過 220V/230V/240V 的地區使用。否則可能造成火災或觸電。



組裝注意事項

- 必須由專業技術人員進行電力佈線。佈線不當可能會造成漏電或火災危險。



安裝注意事項

- 應至少由 2 人進行安裝作業。吸油煙機的重量約為 15kg (FR-FS2270VP)、17kg (FR-FS2290VP)、18kg (FR-FS2290RP)。



安裝注意事項

- 為了確保與主電源全極斷開，應該在固定佈線中設定斷路器。



拔下電源插頭

- 維修保養時，務必從插座上拔下電源插頭，或關閉斷路器。此外，請勿用濕手接觸電源插頭或斷路器。否則可能會導致觸電或人身傷害。



除塵

- 應定期清潔電源插頭，以免積塵。否則可能會造成火災或觸電。



嚴禁噴水

- 嚴禁向任何電氣零部件噴水。否則可能會造成火災或觸電。



嚴禁進行操作

- 發生煤氣洩露時，嚴禁打開吸油煙機。否則可能會導致煤氣爆炸。



注意通風






- 吸油煙機應安裝在通風良好的位置。使用自然排氣式爐具時，通風不良會導致一氧化碳中毒。



嚴格執行

- 熱煙道用於將燃燒燃氣或其他燃料產生的煙氣排出室外，因此不得將吸油煙機產生的空氣排入熱煙道中（本條規定不適用於可將空氣排放回室內的吸油煙機）。

## 警告

-  注意調整
  - 隨時調整排氣。
-  監督要求
  - 體質虛弱者、感官能力不足或精神狀況較差者（包括兒童）或缺乏經驗或知識的人員，不適宜使用本產品，除非有專人負責其安全並為其提供與本產品使用相關的監督或指導。應對兒童嚴加看管，切勿讓其玩弄本產品。
-  注意通風
  - 吸油煙機與多個燃燒燃氣或其他燃料的器具一起使用時，請確保室內通風良好。
-  經常清潔
  - 如果未按說明進行清潔，可能會引發火災。
-  嚴禁燒烤
  - 禁止在吸油煙機下方進行燒烤。

## 注意

-  安裝注意事項
  - 請將本產品安裝在堅固的位置。否則，吸油煙機可能掉落，並造成人身傷害或物品損害。
-  捏住電源插頭端部，拔掉插頭
  - 斷開電源時，應捏住電源插頭，切勿拉扯電線。否則可能會損壞電線，並引發火災或觸電。
-  拔掉插頭
  - 長時間不使用吸油煙機時，務必從插座上拔下電源插頭，或斷開斷路器。否則可能會導致絕緣性能受損，並引起火災或觸電。
-  禁止使用
  - 切勿在浴室等潮濕場所使用本產品（應在浴室使用排氣扇）否則可能會造成火災或設備故障。
-  組裝注意事項
  - 應將維修時拆下的零部件牢固地組裝好。否則，可能會發生零部件脫落或吸油煙機本身掉落，進而導致人身傷害或物品損害。
-  組裝注意事項
  - 必須根據有關標準或規定安全佈線。佈線不當可能導致火災或觸電。
-  禁止觸摸
  - 切勿在烹飪過程中觸摸濾網或周圍零部件。否則可能會導致濾網或零部件脫落，甚至導致燙傷或受傷。
-  禁止觸摸
  - 吸油煙機運轉時，切勿將手指或其他物品插入其中。否則可能導致機器故障或人身傷害。
-  禁止操作
  - 鍋具著火時應立即關閉吸油煙機。否則吸油煙機會助長火勢，造成危險。
-  安裝注意事項
  - 當吸油煙機正好位於爐具上方時，爐具的上邊緣與吸油煙機下邊緣之間的距離應為650mm~850mm。如果爐具使用說明書規定更大間距，則必須加以考慮。

## ⚠ 注意

### 安全注意事項



禁止放置  
物品

- 請勿在吸油煙機上放置任何物品。  
否則可能導致火災、機器故障或因物品掉落導致受傷。



戴工作手套

- 維修保養時務必戴上工作手套。  
否則可能會被尖銳邊角劃傷。



更換受損  
電線

- 如果電線受損，必須由製造商、服務代理機構或擁有同等資格的人員予以更換，以免造成危險。



禁止

- LED 燈亮著時，請勿直視。



注意

- 當油杯內油量達到一半時，請及時清理，以防止油溢出或移除油杯時油杯內有油滴落。



安裝注意  
事項

- 為防止本產品掉落，使用塑膠膨脹管時，請配用相應規格的鑽頭，以確保無縫貼合。



嚴格執行

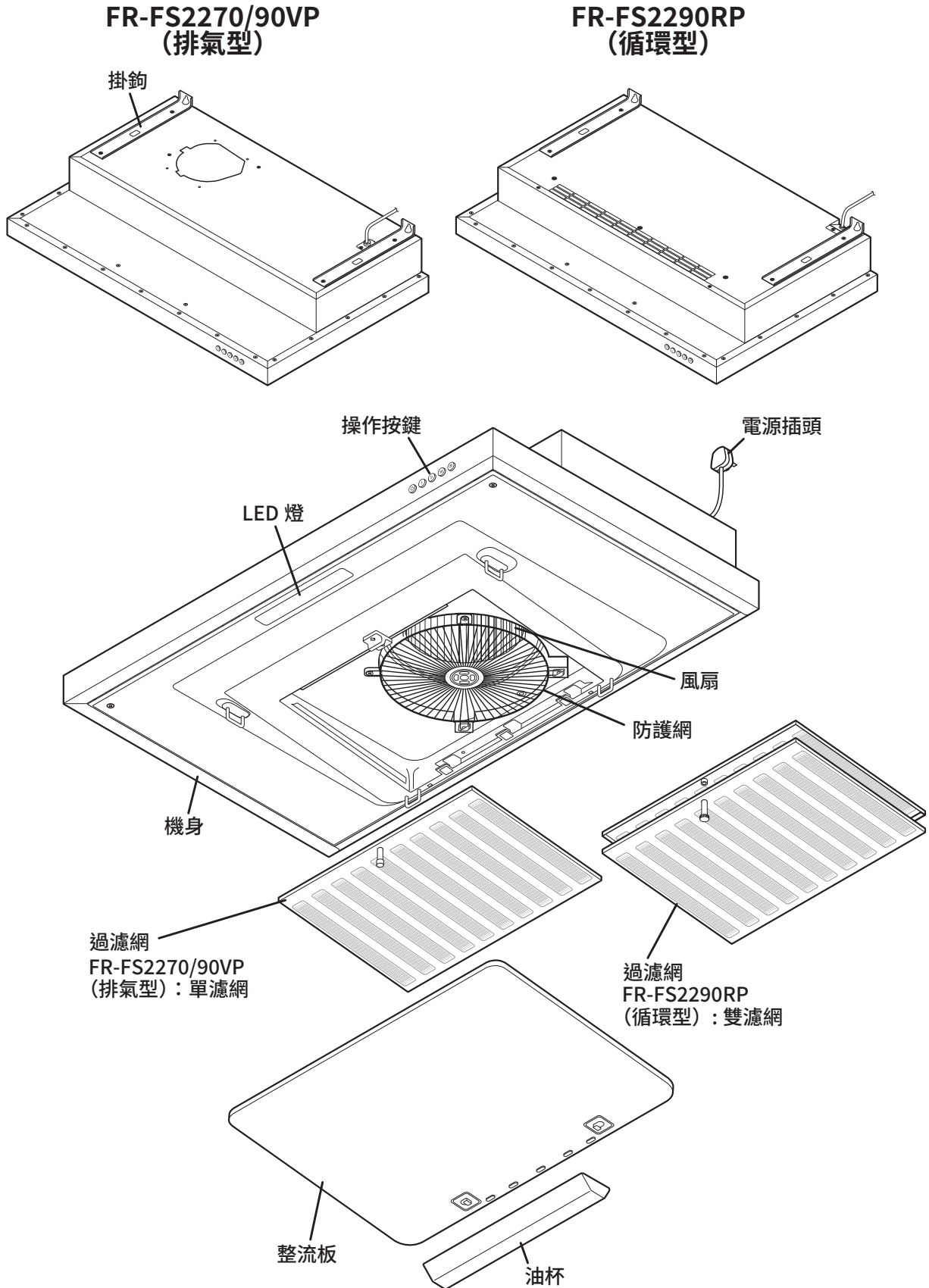
- 確保將排氣管接到室外。為避免發生火災並保持清新空氣的流通，請將廢氣排到室外。  
請勿將其排放到牆體、閣樓或車庫中。

## 使用須知

- 烹飪時，請打開吸油煙機。  
否則，吸油煙機可能會因溫度升高而損壞或發生故障。
- 切勿在未放置任何炊具的情況下使用燃氣爐。  
否則，吸煙機可能會因機身溫度過高而發生故障。
- 使用電磁爐時，吸油煙機的吸油煙性能可能會因側風的影響而降低。  
此外，如果在低溫環境使用吸油煙機，其表面可能會結露。  
此時，應先將吸油煙機擦拭乾淨，然後再予使用。
- 避免空調直吹。  
否則，空調直吹可能會導致吸油煙性能下降。  
在開放式空間中，尤其是電磁爐不產生上升氣流時，吸油煙機性能很容易受到影響。
- 吸油煙機運行過程中，應確保良好的通風環境。  
吸油煙機對面牆體上應預留足夠的進風口，或將廚房門適當打開。  
否則，吸油煙性能可能會下降，或可能產生異常噪音、振動。
- 確保熱水器與吸油煙機之間至少間隔 500mm。  
由於熱水器周圍的溫度較高，因此應與吸油煙機保持 500mm 以上的距離。  
切勿將吸油煙機安裝在熱水器的上方。否則，吸油煙機可能會因溫度升高而損壞或發生故障。
- 切勿在整流板拆下的情況下使用吸油煙機。  
否則，吸油煙性能可能會下降。
- 處理廢舊吸油煙機時，將其處理到他人無法繼續使用的狀態後再廢棄。

# 準備

## 零部件名稱



## ■ 裝箱清單

### FR-FS2270/90VP (排氣型)

名稱	用途	數量
主機	—	1
排氣口	連接主機和排氣管	1
軟密封帶	密封排氣口和排氣管	1
墊圈木螺絲 (Ø5.1×25)	安裝主機	6
墊圈木螺絲 (Ø5.1×45)	安裝主機	4
固定螺絲 (M4×8)	安裝排氣口	4
油杯	收集使用過後的油	1

### FR-FS2290RP (循環型)

名稱	用途	數量
主機	—	1
墊圈木螺絲 (Ø5.1×25)	安裝主機	6
墊圈木螺絲 (Ø5.1×45)	安裝主機	4
油杯	收集使用過後的油	1

## 操作按鍵



- |       |                |
|-------|----------------|
| ○ 按鈕  | 關閉風扇           |
| 〉 按鈕  | 用於輕油烹飪 (蒸煮等)   |
| » 按鈕  | 用於中油烹飪 (清炒蔬菜等) |
| »» 按鈕 | 用於重油烹飪 (炸魚等)   |
| ☀ 按鈕  | 開關燈            |



# ■ 安裝

## 安裝前的準備和檢查

### ⚠ 注意

1. 安裝吸油煙機時應小心謹慎，避免接觸建築物的任何金屬零部件（牆壁上的金屬網等）。
2. 切勿將吸油煙機機身嵌入牆內。否則，可能會導致主機漏電。
3. 熱煙道用於將燃燒氣體或其他燃料產生的煙氣排出室外，因此不得將吸油煙機產生的空氣排入熱煙道中（本條規定不適用於可將空氣排放回室內的吸油煙機）。
4. 當吸油煙機正好位於爐具上方時，爐具的上邊緣與吸油煙機下邊緣之間的距離應為 650mm~850mm。如果爐具使用說明書規定更大間距，則必須加以考慮。
5. 使用寬度小於吸油煙機寬度的燃氣爐。
6. 避免使用規格被更改的吸油煙機，例如操作按鍵被改裝。
7. 切勿將吸油煙機安裝在潮濕區域或其他潮濕房間，否則可能會導致觸電或損壞。
8. 切勿將吸油煙機安裝在環境溫度超過 40°C 的位置，否則可能會導致機器故障。
9. 為防止傷手，安裝吸油煙機時請戴上工作手套。
10. 如果電線受損，應由製造商或其服務代理機構或擁有同等資格的人員進行更換，以防發生任何危險。

## 檢查安裝面的強度

安裝面應具有足夠的強度來支撐吸油煙機。應將吸油煙機安裝在能夠牢固持久地支撐吸油煙機重量的位置。

【產品重量 15kg (FR-FS2270VP)、17kg (FR-FS2290VP)、18kg (FR-FS2290RP)】

### ■ 安裝在板牆上

- 如果板牆厚度超過 20mm，則可直接將吸油煙機安裝到牆上。
- 如果板牆厚度小於 20mm，則應埋入增強板，再將吸油煙機安裝到此板上。

### ■ 安裝在混凝土 / 瓷磚牆上

- 在牆內預埋增強板，或使用塑料膨脹管或類似零部件。

## 電源插頭

該吸油煙機使用三芯電源插頭。

務必使用吸油煙機專用的牆壁插座。

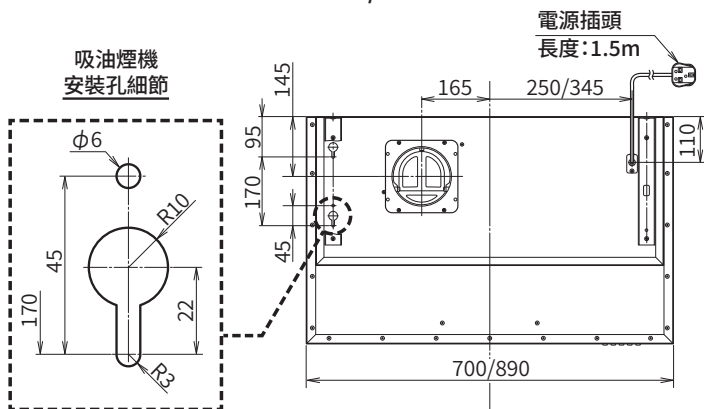
## 檢查附件

從包裝箱中取出主機和附件，並檢查裝箱清單上的附件是否齊全。

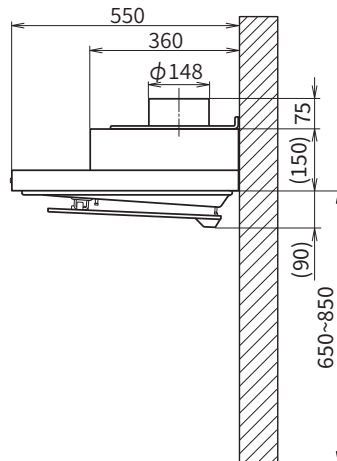
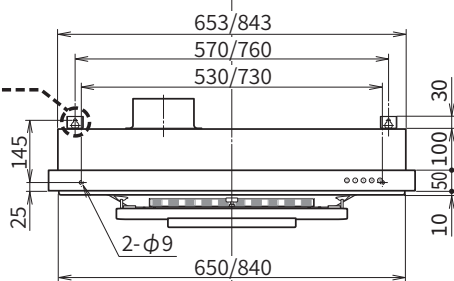
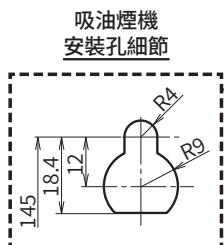
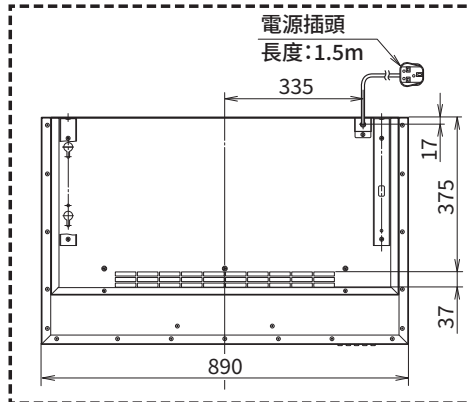
# 確認安裝位置 (單位: mm)

## 安裝

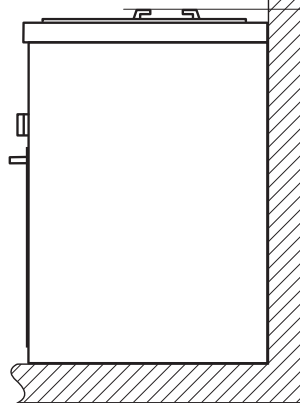
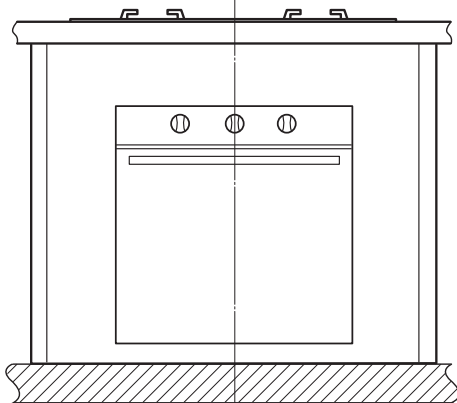
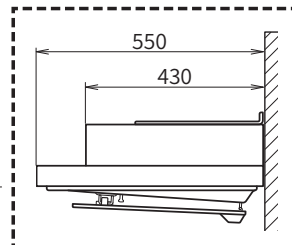
FR-FS2270/90VP



FR-FS2290RP



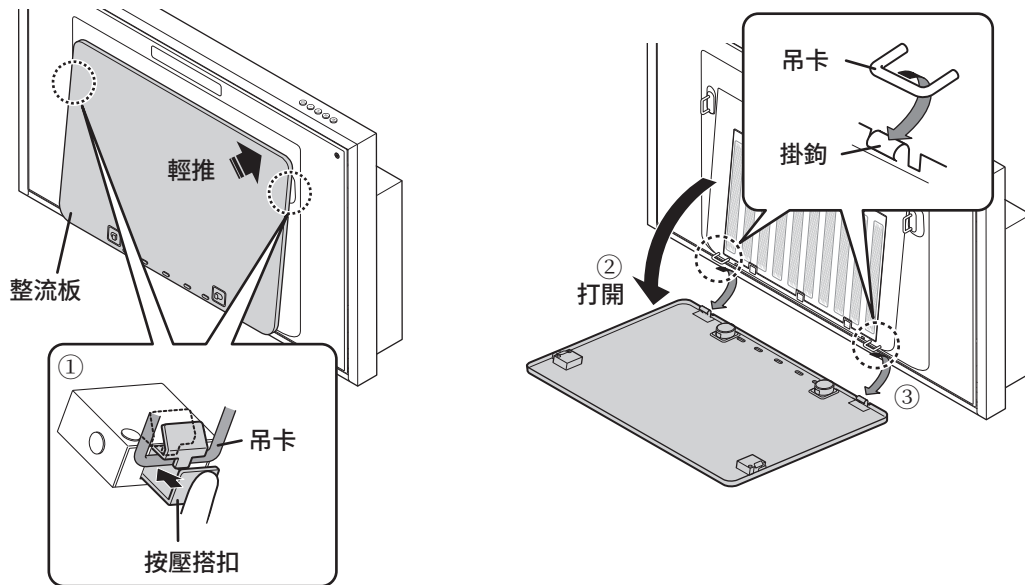
FR-FS2290RP



# 安裝前的準備工作

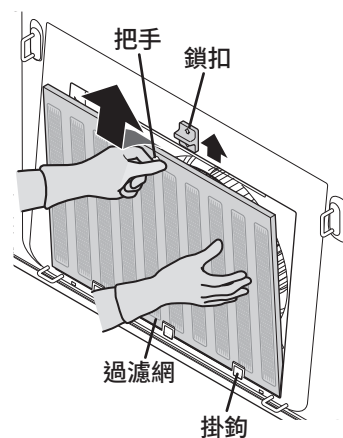
## 1 卸下整流板

- 1) 用雙手撐住整流板，輕輕向前推。按下整流板左右搭扣，使其分離（①）。
  - 2) 用雙手撐住整流板，慢慢將其分離（②）。
  - 3) 在右圖所示位置舉起整流板後端，將其從吸油煙機的吊卡上卸下（③）。
- \* 確保同時卸下左右兩處。否則會造成金屬零部件變形。



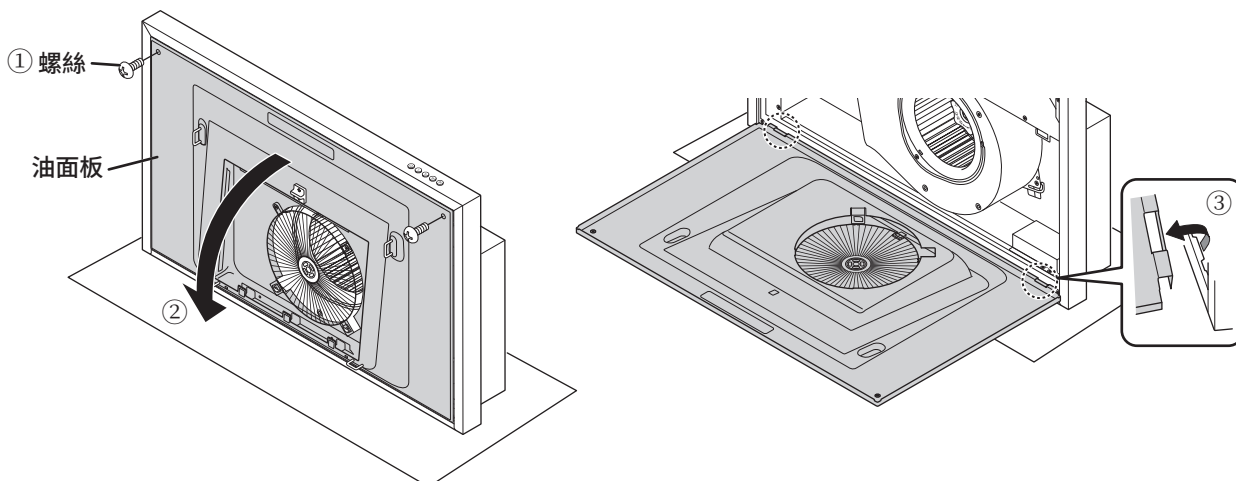
## 2 卸下過濾網

- 握住過濾網把手，向上滑動鎖扣，將其拆下。取出過濾網，使其上移，同時用手支撐，使其不掉落，然後將其從主機底部的三個掛鉤上卸下。



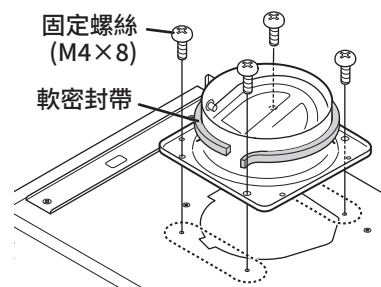
## 3 卸下油面板

- 1) 將油面板固定至機身的兩個螺絲擰鬆（①）。
- 2) 用雙手撐住油面板，慢慢將其分離（②）。
- 3) 在右下圖所示位置舉起油面板後端，將其從機身上卸下（③）。



## 4 固定排氣口 (僅限 FR-FS2270/90VP)

用提供的固定螺絲 (M4×8) 將提供的排氣口固定好。  
然後在提供的排氣口周圍貼上提供的軟密封帶。



### 注意

連接排氣口時，應注意擋氣板的開啟方向。  
如果安裝不當，可能導致排氣不暢、異常噪音等。

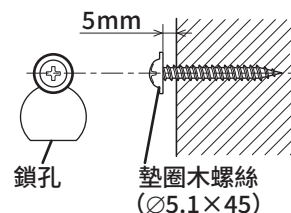


## 吸油煙機的安裝

### 掛牆式

#### 1 將墊圈木螺絲擰入牆

參考第 48 頁的「確認安裝位置」，將提供的墊圈木螺絲 (Ø5.1×45) 插入安裝架左右鎖孔的安裝牆中。在牆壁和螺絲頭之間留出約 5mm 的間隙，以便懸掛吸油煙機。

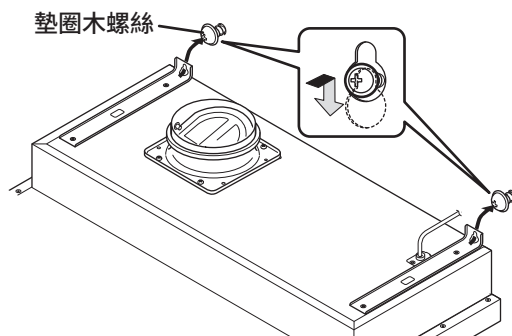


### 注意

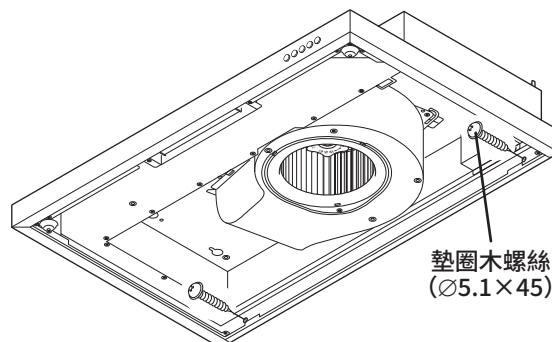
如需加固，請與安裝服務商聯繫接洽。

#### 2 安裝吸煙油機

1) 將吸油煙機的鎖孔對準提供的墊圈木螺絲，  
並擰緊螺絲。



2) 將提供的 2 個墊圈木螺絲 (Ø5.1×45) 牢牢  
固定在吸油煙機的后端。

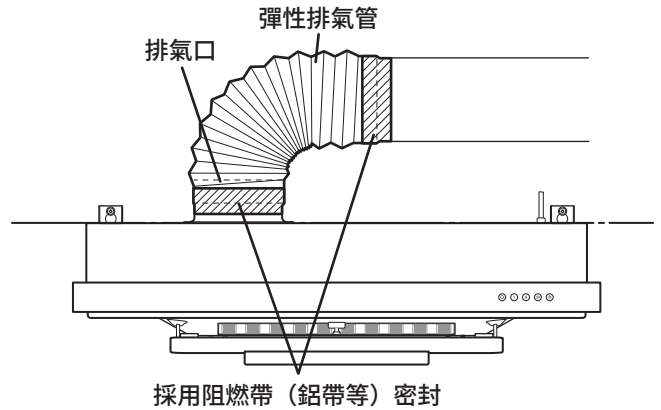


### 3 連接排氣管和排氣口 (僅限 FR-FS2270/90VP)

將  $\varnothing 150$  彈性排氣管或類似零部件與提供的排氣口相連接。  
使用阻燃帶，如鋁帶等（不隨機提供）固定提供的排氣口，並保證其氣密性。

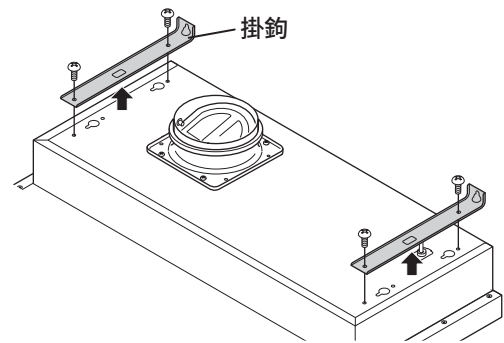
**注意**  
排氣管越長，通風效果越差。

完成此操作後，繼續第 53 頁的「將卸下的零部件重新組裝起來」。

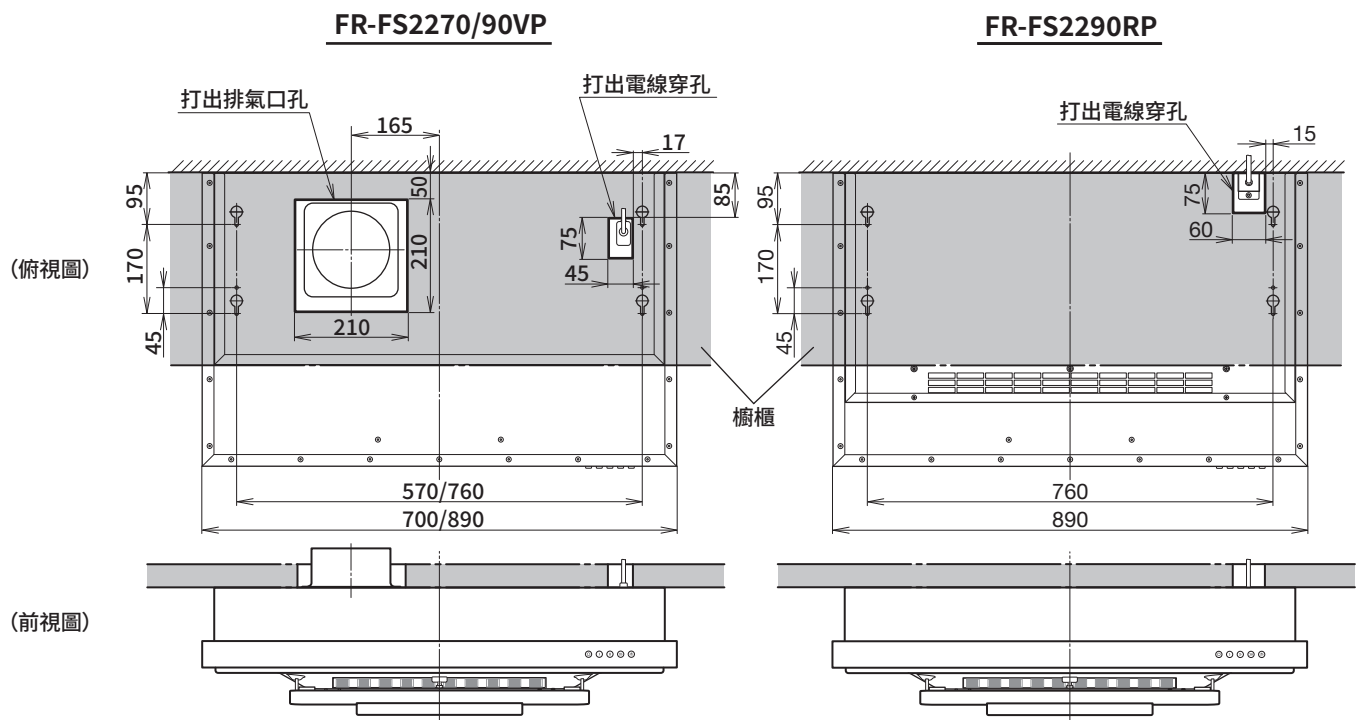


## ■ 上側安裝

1 從吸油煙機上卸下掛鉤  
卸下連接在吸油煙機上兩側的掛鉤。



2 在安裝面（櫥櫃）上打孔  
參考下圖，在安裝面（櫥櫃）上打孔，用於穿過電線和當作排氣口（僅限 FR-FS2270/90VP）。

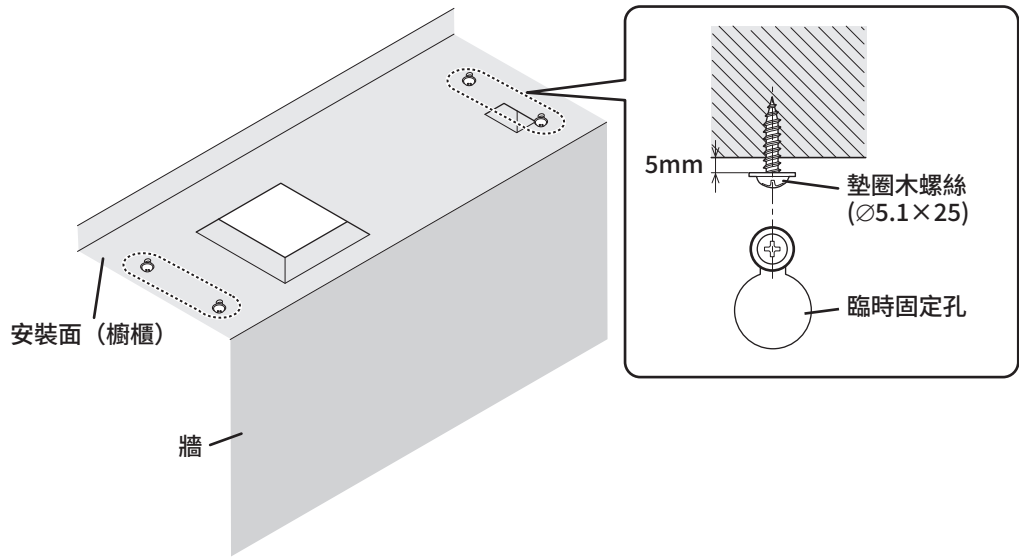


### 3 將墊圈木螺絲擰入安裝面

參考第 48 頁的「確認安裝位置」,將提供的墊圈木螺絲 (Ø5.1×25) 插入主機上側鎖孔的安裝面。在牆壁和螺絲頭之間留出約 5mm 的間隙,以便懸掛吸油煙機。

#### 注意

如需加固,請與安裝服務商聯繫接洽。



### 4 在安裝面上安裝吸油煙機 (櫥櫃)

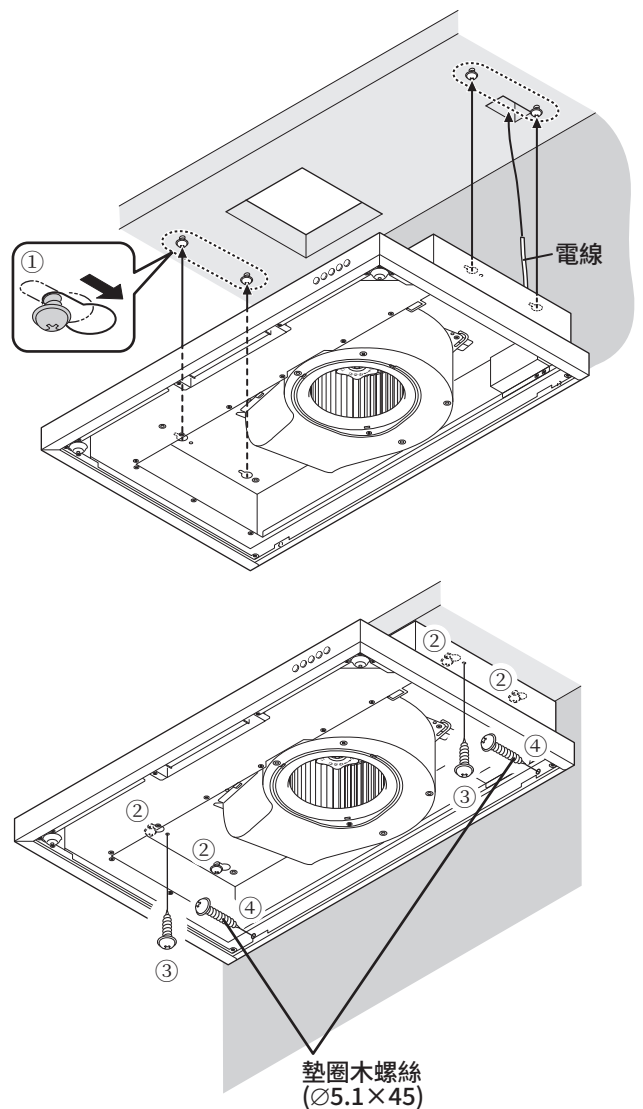
1) 如右側所示,將吸油煙機上側的臨時固定孔對準上述安裝好的螺絲插上去,並將臨時固定孔滑至螺絲的底端 (①)。

\* 牢牢端住吸油煙機,確保吸油煙機在此過程中不會掉落。

2) 將 4 個提供的墊圈木螺絲 (Ø5.1×25) 完全擰入臨時固定孔中 (②)。

3) 將提供的 2 個墊圈木螺絲 (Ø5.1×25) 擰入吸油煙機上側的 2 個圓孔中,位置如右圖所示 (③)。

4) 將提供的 2 個墊圈木螺絲 (Ø5.1×45) 擰入主機後側的孔中,位置如右圖所示 (④)。



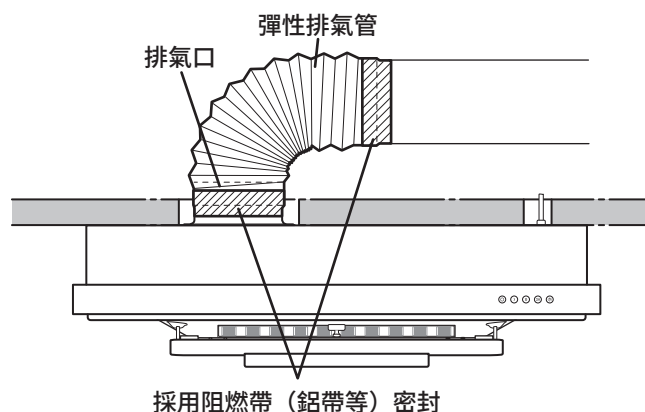
## 5 連接排氣管和排氣口 (僅限 FR-FS2270/90VP)

將  $\varnothing 150$  彈性排氣管或類似零部件與提供的排氣口相連接。

使用阻燃帶，如鋁帶等（不隨機提供）固定提供的排氣口，並保證其氣密性。

### 注意

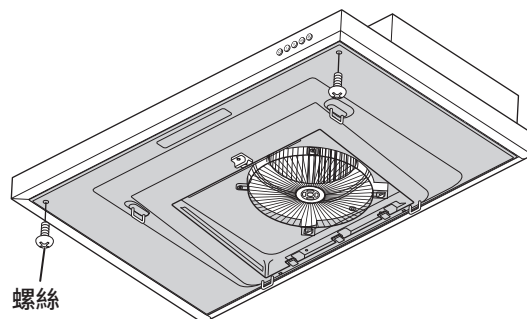
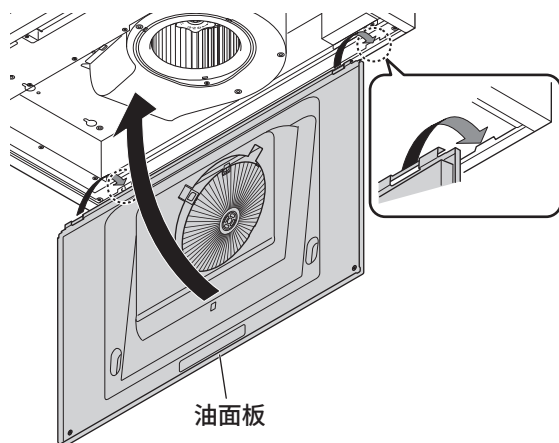
排氣管越長，通風效果越差。



## 將卸下的零部件重新組裝起來

### 1 安裝油面板

將油面板的後端卡住凹槽，然後抬起其前部。握住油面板，用 2 個螺絲將其固定。

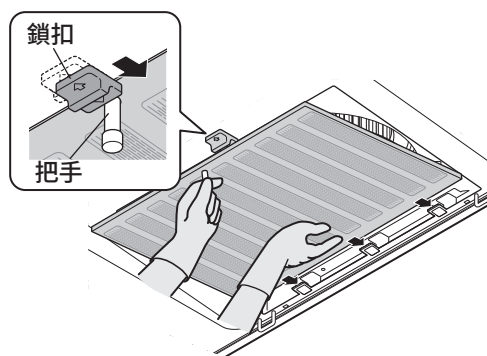


### 2 安裝過濾網

將主機搭扣插入過濾網後側，然後將過濾網前側推到主機上。向後滑動鎖扣，將過濾網固定就位。

### 注意

安裝過濾網時，務必用手握住過濾網。否則，過濾網可能會掉落，並導致人員受傷。



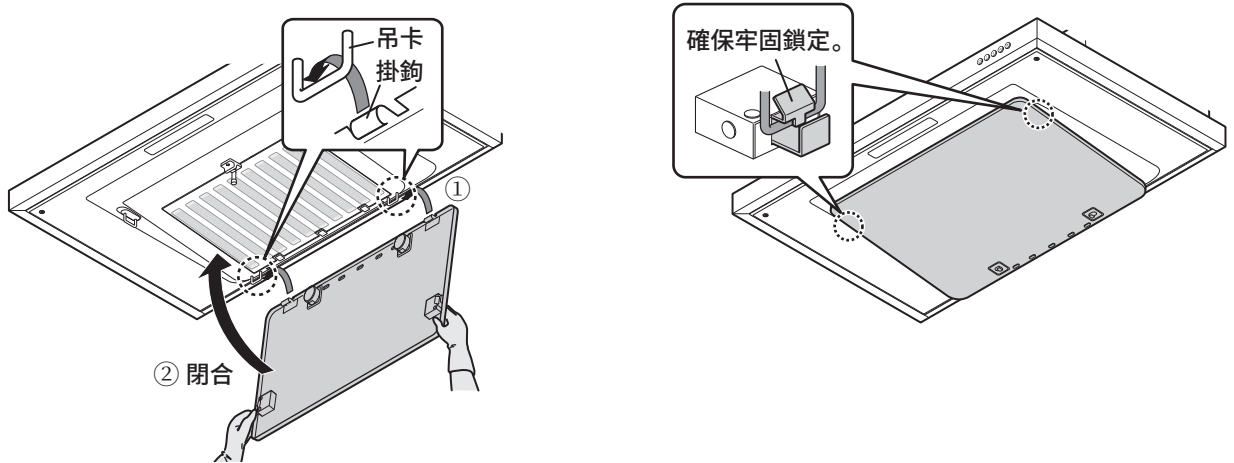


### 3 安裝整流板

- 1) 將整流板後端的左右掛鉤牢固吊掛在吸油煙機的吊卡 (①) 上。
  - 2) 雙手一邊撐住整流板，一邊向上舉起前端直到發出「咔嚓」聲，然後將其固定 (②)。
- 安裝完成後，上下拉動一下整流板，確保其不會掉落。

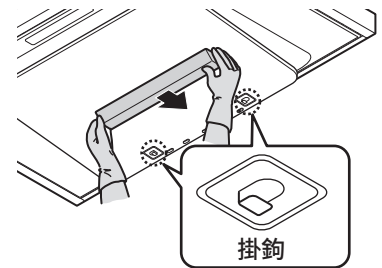
#### 注意

為避免因未鎖好而導致固件脫落，請務必保證整流板固定到位。



### 4 安裝油杯

將提供的油杯安裝到整流板上。將提供的油杯的 2 個凸出部對準整流板的安裝掛鉤，插入，向後滑動，並將其固定。



## 運行檢查

關閉配電盤上的斷路器，然後將電源插頭插到插座上。

將斷路器打開後，再將吸油煙機打開，檢查其運行情況。有關操作按鍵和運行狀態，請參考第 46 頁說明。

- 吸油煙機運轉時，檢查風扇各檔位是否正常。
- 經檢查，確認無異常雜音或振動。

## 維修保養

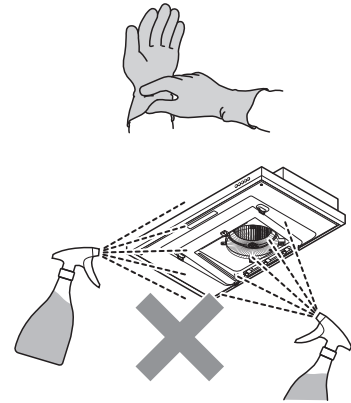
因吸油煙機容易附著油污，因此應經常清潔吸油煙機（尤其是每月至少清潔一次過濾網。如果一戶每天至少做兩頓飯，則應每兩週就清潔一次過濾網）。

如果長時間不清潔，吸油煙機上將會積聚大量油污，形成難以去除的油脂硬塊。

油杯、吸油煙機四周、整流板如有油污，應及時清潔（清潔頻率：約每月一次）。

# 維修保養注意事項

- 清潔吸油煙機前，務必從插座上拔下電源插頭，或關閉斷路器。
- 為安全起見，清潔過濾網等零部件時，應戴好橡膠手套。
- 特別注意，防止將水潑到電機、操作按鍵、接插件之類的電氣零部件上。請勿向電氣零部件噴灑任何類型的洗滌劑。否則會造成故障。
- 請勿用例如稀釋劑之類的溶劑、苯類、拋光粉等清潔塗漆表面、油面板等，否則會使這些零部件失去光澤或造成劃痕。
- 請勿用硬毛刷之類的物品擦洗各零部件，否則會使零部件受損。
- 如果不按照說明書規定進行清洗，吸油煙機可能存在起火危險。



## 拆卸 / 安裝需要清洗的零部件

請按照與拆卸時相反的步驟，安裝各零部件。

### 油杯

#### ■ 拆卸

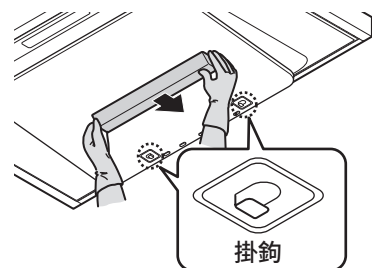
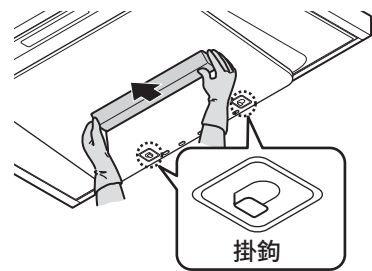
將 2 個突出部從整流板掛鉤中拉出，以拆下油杯。拆卸時，確保油杯內的油不會溢出或灑出。

#### 注意

短時間內可能不會積聚大量廢油脂，這取決於使用頻率，這屬於正常現象。

#### ■ 安裝

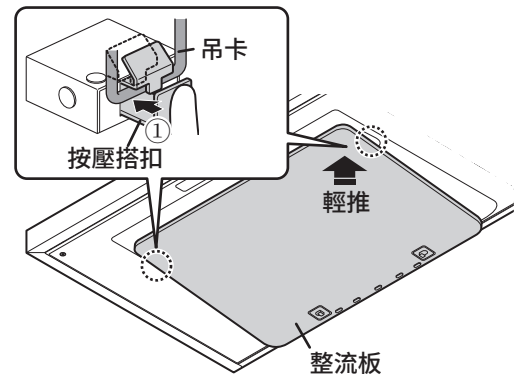
將油杯安裝到整流板上。將油杯的 2 個突出部與整流板的安裝掛鉤對齊。插入突出位置，向後滑動油杯並將其固定。



# 整流板

## ■ 拆卸

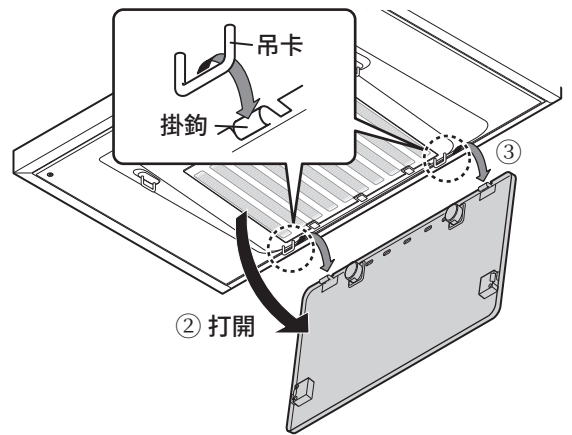
1) 用雙手撐住整流板，同時輕輕上推。按壓整流板的左右的搭扣，將其卸下（①）。



2) 用雙手支撐打開整流板，同時慢慢地將其卸下（②）。

3) 將整流板後端抬起，位置如右下圖所示，將其從吸油煙機的吊卡上卸下（③）。

\* 請一定同時卸下左右兩處。否則會造成金屬零部件變形。

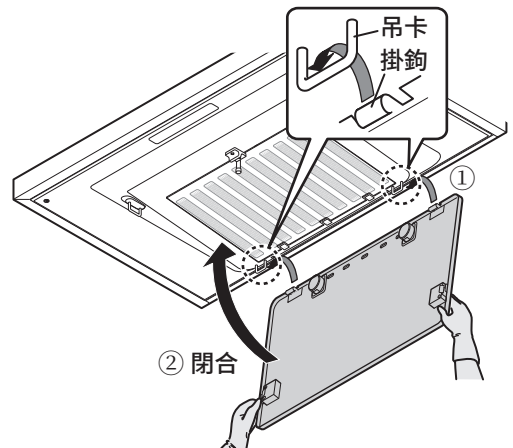


## ■ 安裝

1) 將整流板後端的左右掛鉤牢固吊掛在吸油煙機的吊卡上（①）。

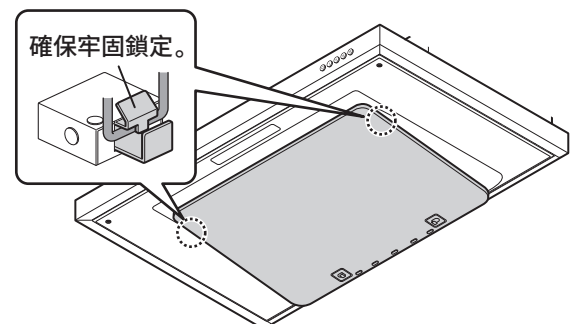
2) 雙手一邊撐住整流板，一邊向上舉起前端直到發出「咔嚓」聲，將其固定（②）。

安裝後，上下拉動一下整流板，確認其安裝牢固不會脫落。



## 注意

為避免因未鎖好而導致固件脫落，請務必保證整流板固定到位。



# 過濾網

## ■ 拆卸

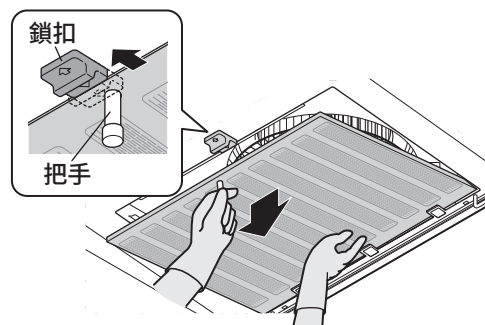
握住過濾網的把手，向前滑動鎖扣，將其拆下。

向前移動拉出過濾網，同時用手撐住，確保其不會掉落，然後將其從主機底部的三個掛鉤上拆下。

### 注意

拆卸過濾網時，務必用手握住。

否則，過濾網可能會掉落，進而導致受傷。



## 過濾網的拆卸 / 組裝

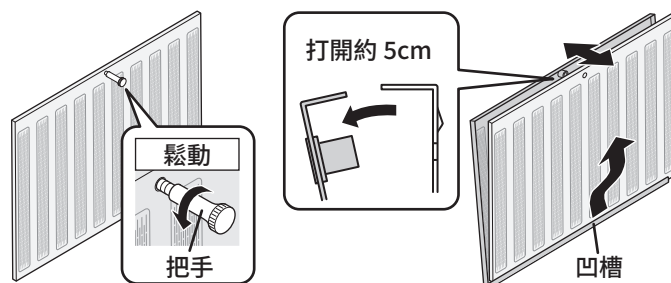
FR-FS2290RP (循環型)：僅適用於雙濾網

### 【拆卸】

1) 按鬆開方向，轉動把手，將其拆下。

\* 請勿弄丟拆下的把手。

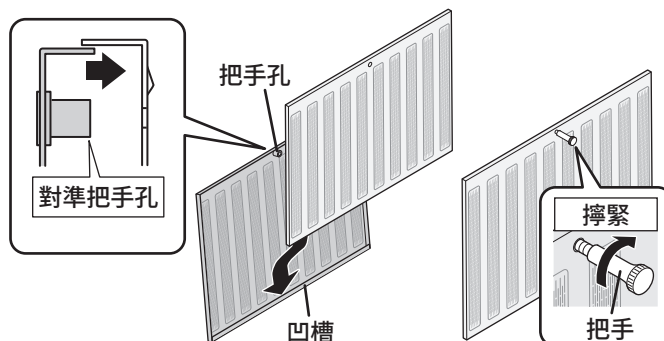
2) 將上側（螺孔所在位置）打開約 5cm，然後將過濾網從底部的凹槽中拉出，將其拆下。



### 【組裝】

1) 使過濾網的把手孔對準同一位置，將過濾網安裝到凹槽中。

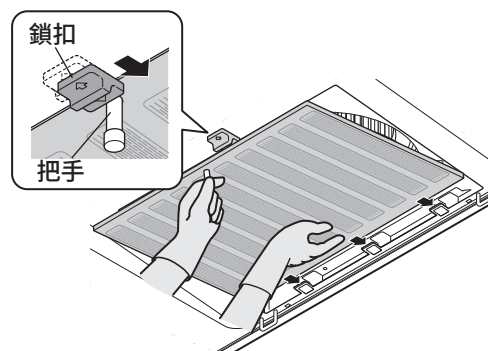
2) 按擰緊方向，轉動把手，使其固定到位。



## ■ 安裝

將主機掛扣插入過濾網後側，然後將過濾網前側推到主機上。

向後滑動鎖扣，將過濾網固定到位。



# 清潔

## 機身

使用中性清潔劑和軟布進行清潔。

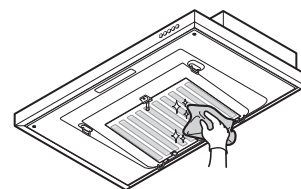
嚴禁使用有機溶劑。清潔後，用沾水的濕布擦拭吸油煙機，去除所有殘留的清潔劑，最後用乾布徹底擦掉所有水分。

維修保養

## 油杯 / 整流板 / 過濾網

使用中性清潔劑和軟布進行清潔。

嚴禁使用有機溶劑。清潔後，用水沖洗乾淨，去除所有殘留的清潔劑，最後用乾布徹底擦掉所有水分。



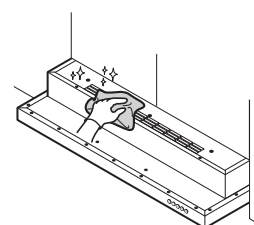
### 注意

清潔整流板時，應將其放在平坦表面上，避免導致任何變形。

其他資訊

## 排氣口 / 櫥櫃 (僅限 FR-FS2290RP)

如未定期清潔整流板和過濾網，油污可能會積聚在排氣口或櫥櫃上。如在排氣口或櫥櫃處發現油污，請使用中性洗滌劑和軟布擦拭。請勿使用有機溶劑。清潔後，用沾水的濕布擦拭排氣口或櫥櫃，擦乾淨洗滌劑，最後用乾布徹底擦掉所有水分。



## 風扇

關於風扇的清潔，請諮詢富士皇或代理商。

# 其他資訊

## 規格

### FR-FS2270/90VP (排氣型)

額定電壓 (V)	檔位	額定頻率 (Hz)	耗電功率 (W)	風量 (m <sup>3</sup> /h)	噪音 (dB)
220	高檔	50	105	545	50
	中檔		75	420	45
	低檔		55	330	39
230	高檔	50	110	555	51
	中檔		80	440	46
	低檔		60	350	40
240	高檔	50	115	565	52
	中檔		85	460	47
	低檔		65	370	41

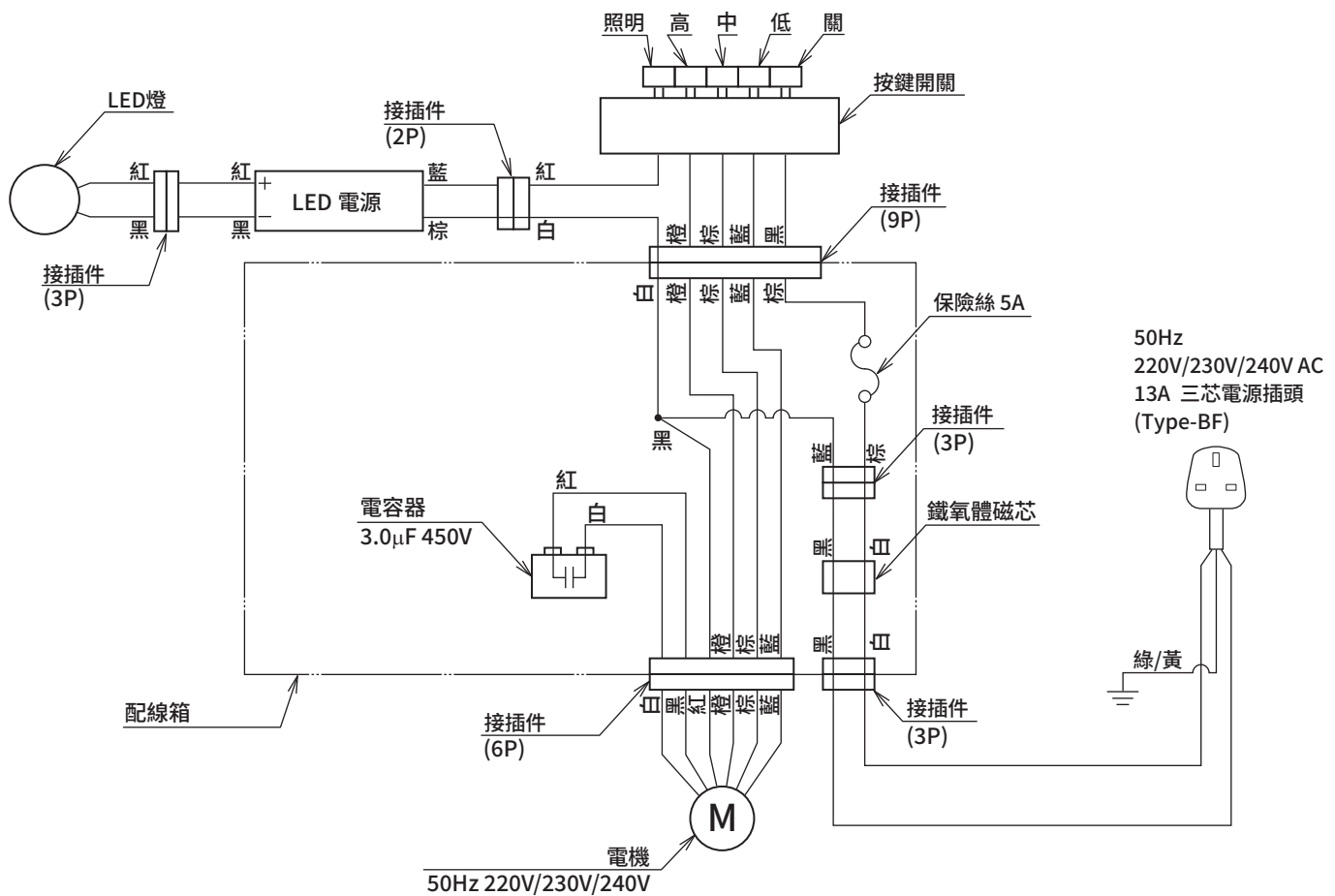
\* 消耗功率含照明燈 3.5W

### FR-FS2290RP (循環型)

額定電壓 (V)	檔位	額定頻率 (Hz)	耗電功率 (W)	風量 (m <sup>3</sup> /h)	噪音 (dB)
220	高檔	50	90	395	53
	中檔		65	340	49
	低檔		50	285	45
230	高檔	50	95	400	53
	中檔		70	350	50
	低檔		55	300	46
240	高檔	50	100	405	53
	中檔		75	360	51
	低檔		60	310	47

\* 消耗功率含照明燈 3.5W

# 電路圖



其他資訊

## 維修與保固

申請維修：

在操作過程中如果發生異常，應立即關掉吸油煙機進行檢查：

- 1) 保險絲是否熔斷了？
- 2) 電源插頭與插座的連接是否正確？

若確認不是上述問題，請立即拔出電源插頭，與當初購買本機時的銷售商聯繫。與銷售商聯繫時，需說明產品型號及購買日期。

5  
years

- 本型號機停止生產後仍可提供維修所需性能零部件的最低保證期為 5 年。

性能零部件是指維持吸油煙機正常使用功能所必需的基本零部件。

對於相同類型可互換零部件的提供保證期可再延長 4 年。

在對使用不產生影響的前提下，我們將按照您的要求選用這些零部件進行維修。

- 為提高吸油煙機性能，有可能在不預先通知的情況下進行產品零部件的更新。

全球網站

<https://global.fujioh.com>

**FUJIOH INTERNATIONAL TRADING PTE. LTD.**

**東南亞地區總部**

3014A Ubi Road 1 #06-04, Singapore 408703

Tel : (65) 6286 3286 Fax : (65) 6285 3285

E-mail : [fit@fujioh.com.sg](mailto:fit@fujioh.com.sg)

**FUJIOH MARKETING MALAYSIA SDN. BHD.**

23, Jalan Serendah 26/39, Section 26, 40400

Shah Alam, Selangor, Malaysia

Tel : (60) 35103 6826

E-mail : [enquiry@fujioh.my](mailto:enquiry@fujioh.my)