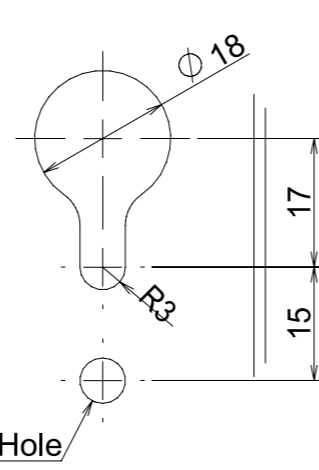
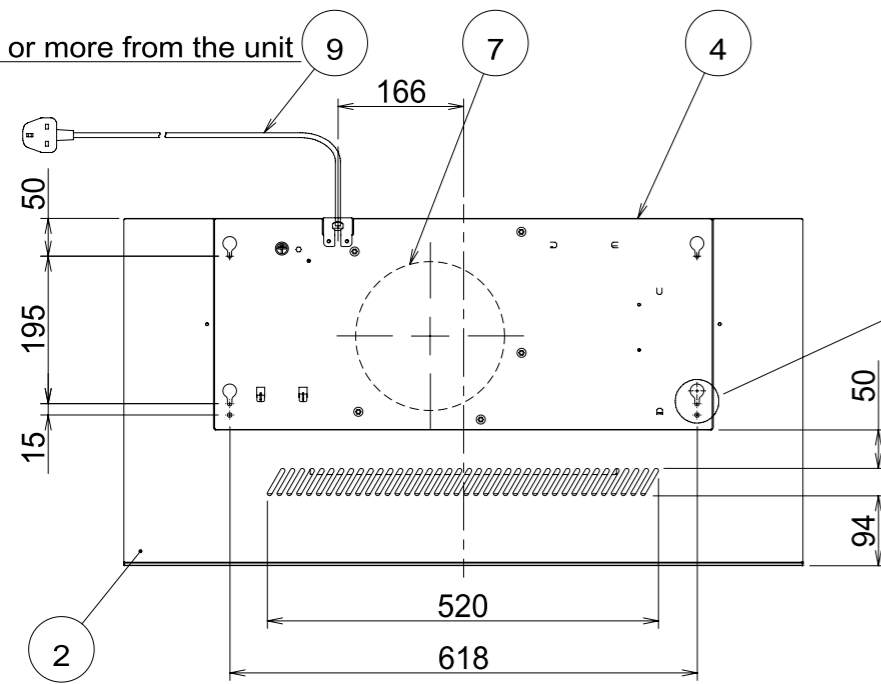


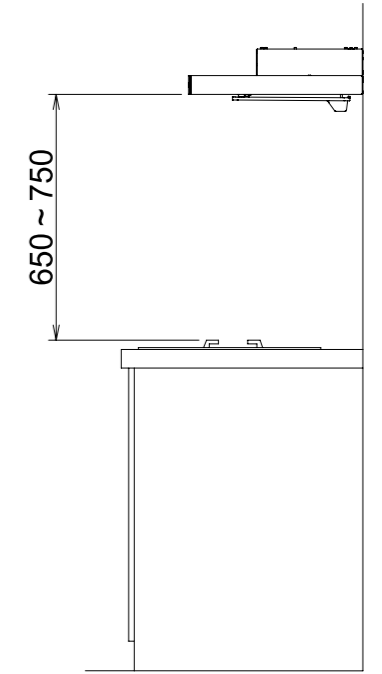
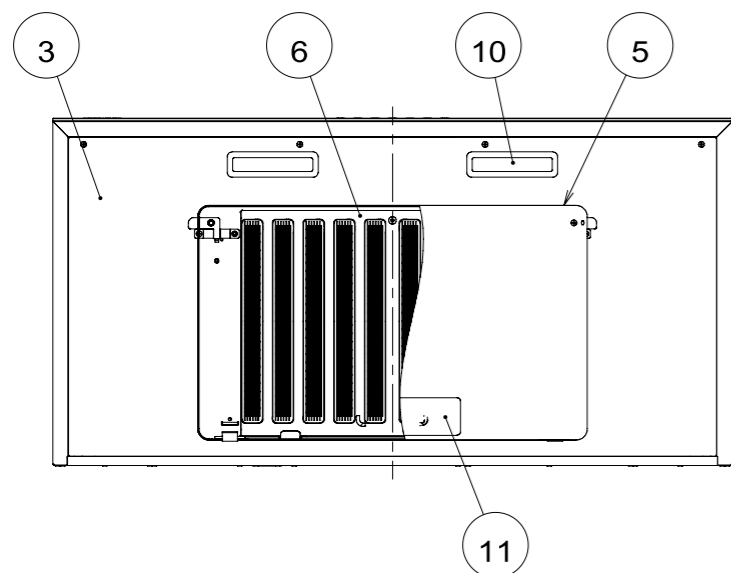
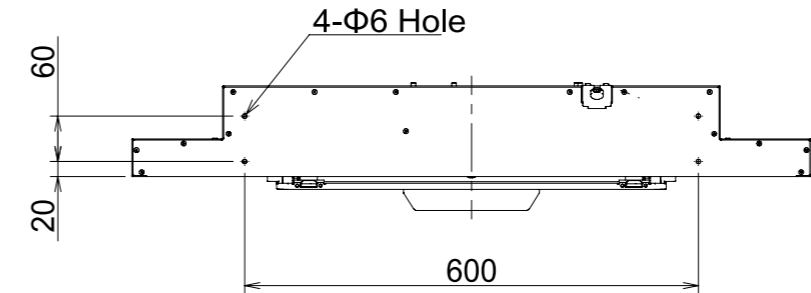
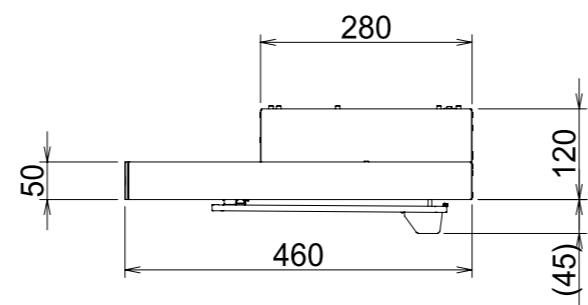
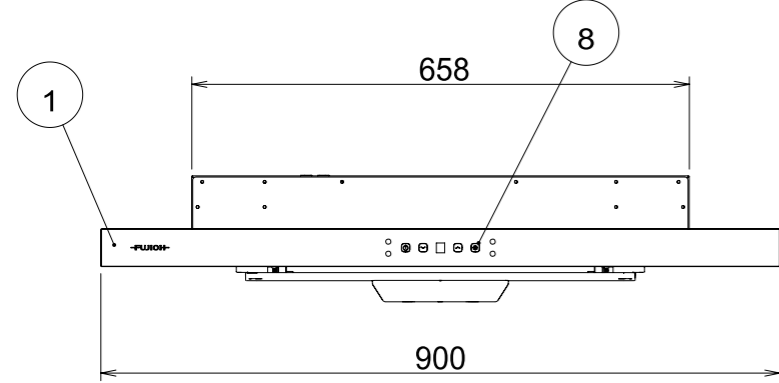
1m or more from the unit



Detail:Installation hole

- Accessories
- Flat washer-----6pcs
  - ST5×40 Wood screw-----6pcs
  - Plastic expansion pipe-----6pcs
  - ST4.2×16 Flat head screw-----4pcs

Major Parts				
No	Parts	Material	Finish	Color
1	Hood front plate	Toughened Glass		
2	Hood frame	Stainless steel No,4/Galvanized steel		
3	Oil panel	Stainless steel	No,4	
4	Body	Galvanized steel		
5	Rectifier baffle panel	Stainless steel No,4/Galvanized steel		
6	Filter	Galvanized steel(Aqua Slit Filter,1 layer)		
7	Fan motor	4 Pole capacitor motor,class F		
8	Switch	Static electrical switch with gesture control (On/Off,Low,Med,Hi,Timer,,Light)		
9	Power supply cord	Cabtire cable		
10	Lighting	LED(Daylight white color),1.5W × 2pc		
11	Oil tray	Polycarbonate		*Accessories



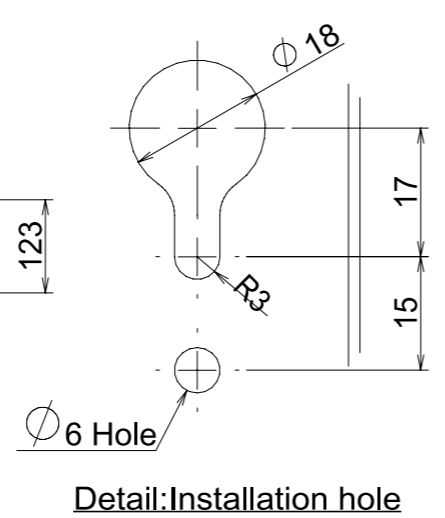
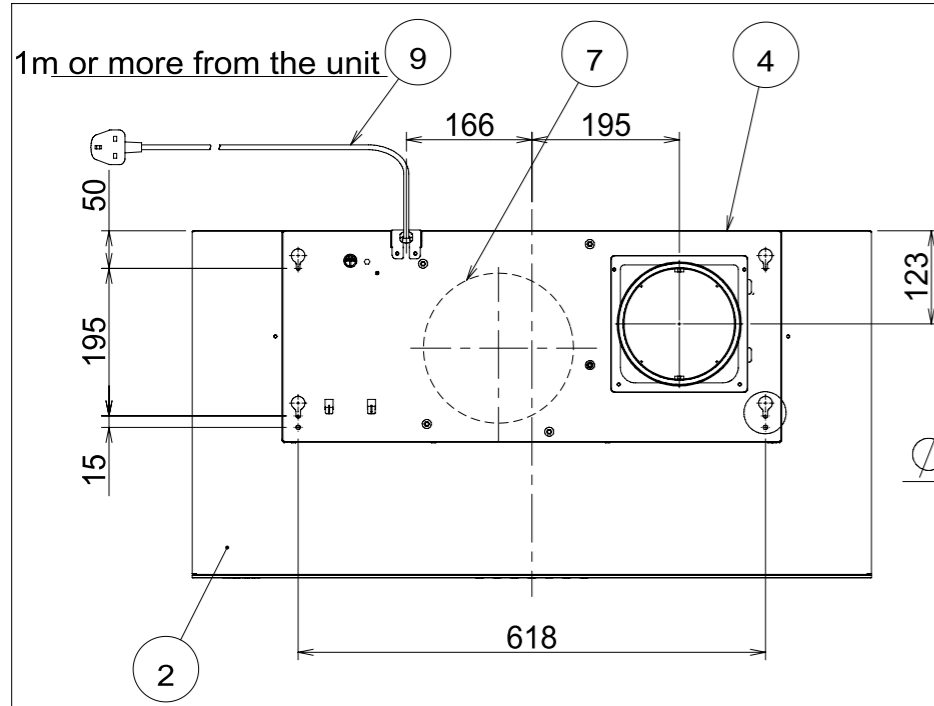
Standard Installation

Specifications								
Model	Voltage (V)	Speed	Frequency (Hz)	Power consumption (W)	Airflow(m <sup>3</sup> /h)		Sound (db)	Weight (kg)
					0Pa	-		
FR-MS2390R	220	Hi	50	141	245	-	53	10.6
		Med		105	175	-	44	
		Low		100	135	-	37	
	230	Hi		148	260	-	55	
		Med		124	185	-	45	
		Low		108	145	-	39	
	240	Hi		163	275	-	56	
		Med		134	195	-	47	
		Low		115	150	-	40	

Model	Product code	Color	Note
FR-MS2390RW		White glass /White paint	
FR-MS2390RBK		Black glass /Black paint	
FR-MS2390RSS		Black glass /Stainless steel	
Created date	01/02/2023	Product category	Cooker Hood
Updated date		Model	FR-MS2390R
-FUJIOH-		Scale	1/10
Product outline drawing			

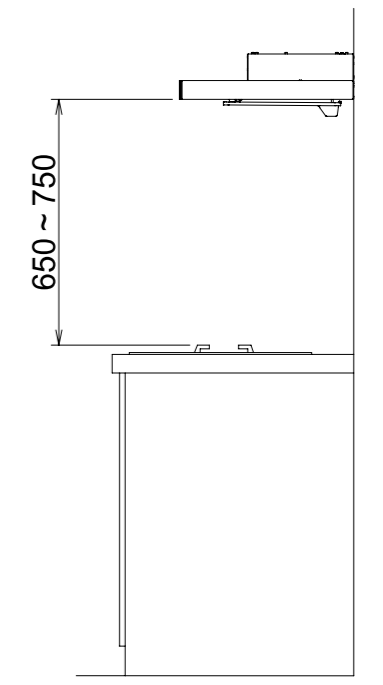
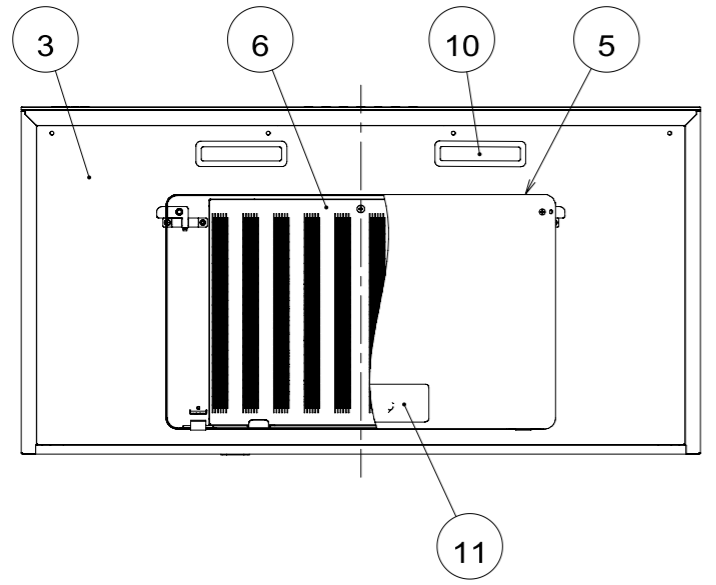
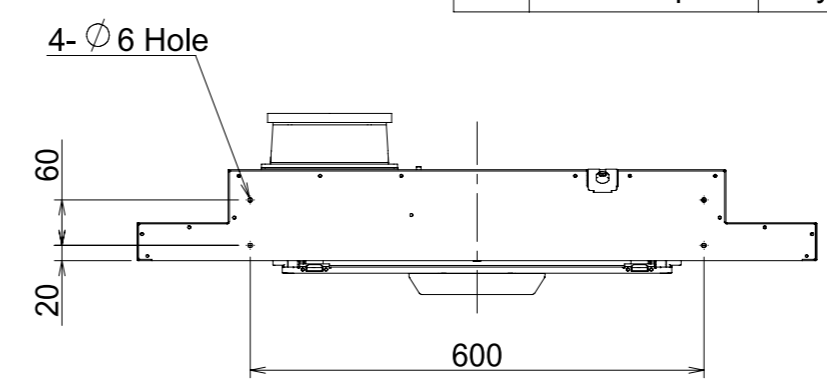
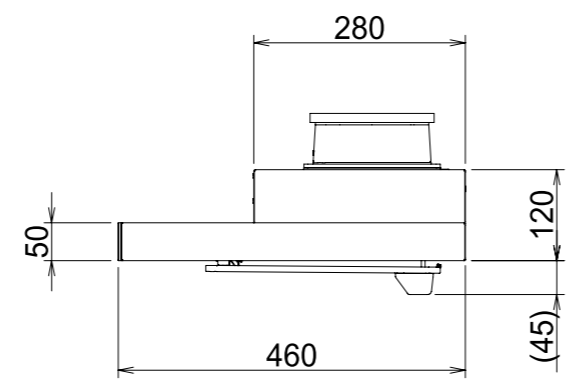
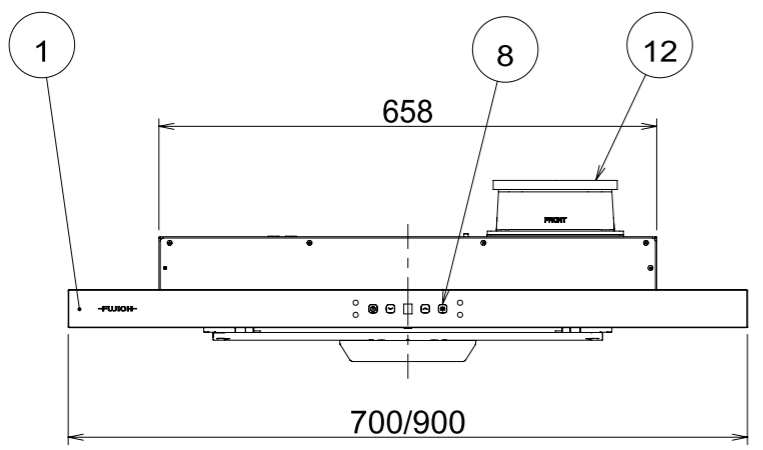
Mark	Revised record	Date

Airflow measured by JIS C9603 chamber method



- Accessories
- Flat washer . . . . . 6pcs
  - ST5×40 Wood screw . . . . . 6pcs
  - Plastic expansion pipe . . . . . 6pcs
  - ST4.2×16 Flat head screw . . . . . 4pcs

Major Parts				
No	Parts	Material	Finish	Color
1	Hood front plate	Toughened Glass		
2	Hood frame	Stainless steel No,4/Galvanized steel		
3	Oil panel	Stainless steel	No,4	
4	Body	Galvanized steel		
5	Rectifier baffle panel	Stainless steel No,4/Galvanized steel		
6	Filter	Galvanized steel(Aqua Slit Filter,1 layer)		
7	Fan motor	4 Pole capacitor motor,class F		
8	Switch	Static electrical switch with gesture control (On/Off,Low,Med,Hi,Timer,,Light)		
9	Power supply cord	Cabtire cable		
10	Lighting	LED(Daylight white color),1.5W×2pc		
11	Oil tray	Polycarbonate		★Accessories
12	Exhaust port	Polypropylene		★Accessories



Standard Installation

Specifications								
Model	Voltage (V)	Speed	Frequency (Hz)	Power consumption (W)	Airflow(m <sup>3</sup> /h)		Sound (db)	Weight (kg)
					0Pa	-		
FR-MS2370V FR-MS2390V	220	Hi	50	218	400	-	57	9.4 10.3
		Med		156	320	-	52	
		Low		120	230	-	45	
	230	Hi		233	420	-	58	
		Med		169	330	-	53	
		Low		130	250	-	46	
	240	Hi		255	435	-	59	
		Med		182	350	-	54	
		Low		140	260	-	47	

Model	Product code	Color	Note
FR-MS2390VW	—	White glass /White paint	—
FR-MS2390VBK	—	Black glass /Black Paint	—
FR-MS2390VSS	—	Black glass /Stainless steel	—
FR-MS2370VW	—	White glass /White paint	—
FR-MS2370VBK	—	Black glass /Black Paint	—
FR-MS2370VSS	—	Black glass /Stainless steel	—

Motor class	4 Pole capacitor motor	insulation resistance	Over 10MΩ (500Vmegger)	Withstanding voltage	AC1000V for1min	Insulation class	F
Created date	01/02/2023		Product category	Cooker Hood			
Updated date		Model	FR-MS2370/90V				
-FUJIOH-		Scale	1/10				
Product outline drawing							

Mark	Revised record	Date
△		

Airflow measured by JIS C9603 chamber method