

-FUJIOH-

Built-in Gas Hob
Instruction Manual

Global Website
<https://global.fujioh.com>

FUJIOH INTERNATIONAL TRADING PTE.LTD.

Southeast Asia Regional Headquarters
3014A Ubi Road 1 #06-04, Singapore 408703
Tel:(65)6286 3286 Fax:(65)6285 3285
E-mail:fit@fujioh.com.sg

FUJIOH MARKETING MALAYSIA SDN. BHD.

23, Jalan Serendah 26/39, Section 26, 40400
Shah Alam, Selangor, Malaysia
Tel:(60)35103 6826
E-mail:enquiry@fujioh.my

Rev1 2023

FH-GS3020 SVGL
FH-GS3028 SVGL
FH-GS3030 SVGL

Please read this manual carefully
before using this appliance.

Table of Contents

Safety Instructions P.1

Precautions For Glass Panel P.2

Product Description P.3

Installation Instructions P.4-P.5

Operating Instructions P.6

Troubleshooting P.7

Cleaning & Maintenance P.8

Technical Specifications P.9

Safety Instructions

Important

For safety purpose, you should read the instructions carefully before using the appliance for the first time. Save the instruction manual for future reference.

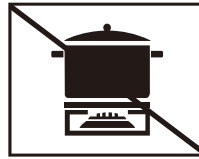
The appliance is designed for domestic use and may only be installed and operated in accordance with these instructions for use.

1. The gas hob must be installed by registered gas installer.
2. Ensure that the gas hob is used with good ventilation. Environment with insufficient oxygen should be avoided.
3. This gas hob is to be used for cooking only. Do not use for other purpose.
4. During long period of use, open window or exhaust fan to ensure good ventilation.
5. Check that all control knobs have been set to "●" position after use.
6. If the flame is blown out during use, the safety valve will cut off gas supply. Ignite again after at least 1 minute.
7. To avoid hazard, do not use spray or compressed gas when the gas hob is in use.
8. After ignition, check if the flame is even and normal.
9. Before removing cookware away from the flame, always set to small flame or turn the hob off.
10. Do not use accessories other than the one included with the product. Otherwise, it will cause overheat to the range surface.
11. Do not use over-size or over-weight utensils to avoid damage.
 - Cooking utensils having more than 200mm and less than 320mm diameter can only be used.
 - Cooking utensils weighting less than 6kg (including food weight) can only be used.
 - And for assistant burner rack, only cooking utensils with 8-14cm diameter is recommended.
12. Place the utensil steadily on the range burner rack. Do not tilt the utensil.
13. Contact our after service team for repair and parts replacement. During the guarantee period, FUJIOH may charge for spare parts and service fees if the damage is caused by misuse or improper installation.
14. When installing built-in gas hob on top of kitchen cabinet, please check that there is provision for ventilation at the cabinet to ensure proper operation of the gas hob.
15. Do not store any flammable materials, sprays or pressurized containers inside the kitchen cabinet.
16. The top panel of this gas hob is made of tempered glass which is safer than normal glass for this application. However, the following safety precautions for using gas hob with glass top panel should be noted in order to prevent the glass top panel from breaking:
 - Clean the burner assembly frequently to maintain a clear gas passage on the flame distributor, clean and tidy up the flame distributor after spillage of food and liquid once the burner assembly has cooled down.
 - Turn off the gas hob immediately if abnormal noise propagates from the gas appliance and contact gas supply company or gas hob importer for inspection.
 - Do not use oversized utensils for cooking.
 - Do not impact the glass surface with hard objects or place heavy objects on the glass surface.

Precautions For Glass Panel

- Do not place anything, e.g. flame tamer or asbestos mat, between pan and pan support, as serious damage to the appliance may result.

NOTE The enclosure may be circular or square.



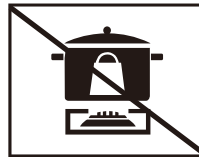
- Do not remove the pan support and enclose the burner with a wok stand, as this will concentrate and deflect heat onto the hotplate.

NOTE The enclosure may be circular or square.



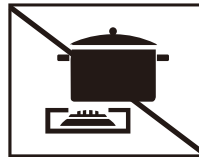
- Do not use large pots or heavy weights that can bend the pan support or deflect flame onto the hotplate.

NOTE The enclosure may be circular or square.



- Locate pan centrally over the burner so that it is stable and does not overhang the appliance.

NOTE The enclosure may be circular or square.



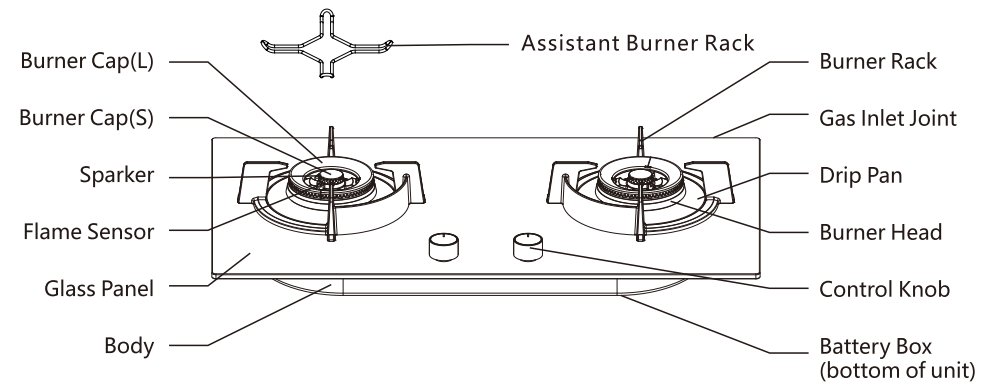
- Use only a wok support supplied or recommended by the manufacturer of the appliance.

NOTE The enclosure may be circular or square.

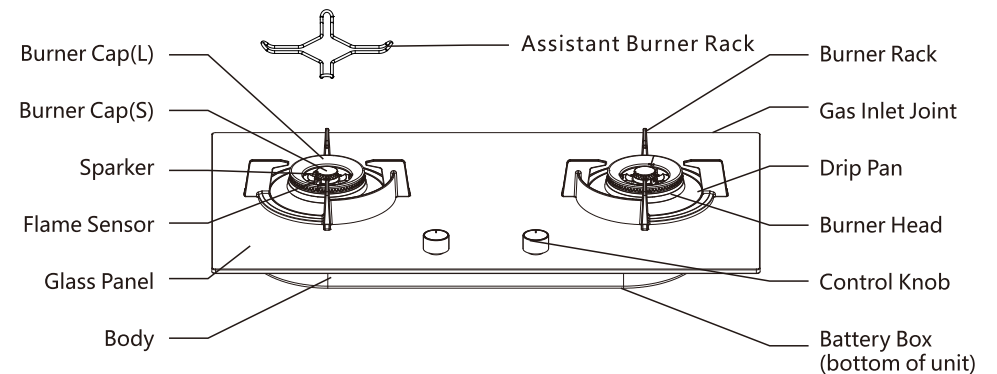


Product Description

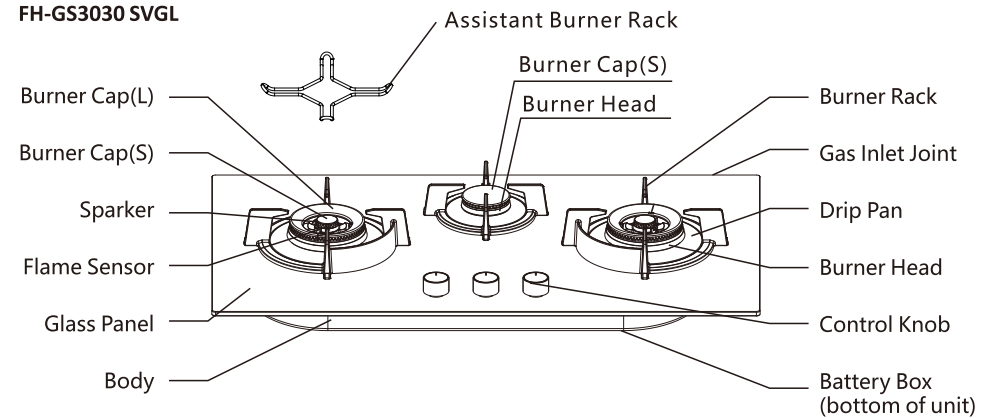
FH-GS3020 SVGL



FH-GS3028 SVGL



FH-GS3030 SVGL



Installation Instructions

Attention

The gas hob must be installed by registered gas installer. Otherwise, FUJIOH will not be responsible for any damages.

- The inlet gas supply working pressure to the appliance MUST BE as follows:

Type of gas	Inlet pressure
LPG	3.0 kPa

- If non-compatible pressures are connected to the appliance, it will affect the performance of the unit or pose risk of damage.
- Before installation, ensure that the appliance is compatible with the local distribution conditions, including the nature of the gas and gas pressure.
- This gas hob is not connected to ventilation devices for combustion products. It shall be installed according to the relevant regulations. Particular attention shall be given to the ventilation requirements.
- Install the gas hob in a room with well ventilation and keep it away from any combustible or flammable items such as paper or oil.
- Install the gas hob on a stable and level surface.
- If the unit is to be installed, close to combustible surroundings (such as wooden walls, wooden shelves), it should be installed at least 15cm from the side walls. The unit should be installed with a distance of at least 15cm away from surrounding combustible materials.
- External gas governor is not required.
- Aeration is preset at factory. Please do not attempt to adjust it.

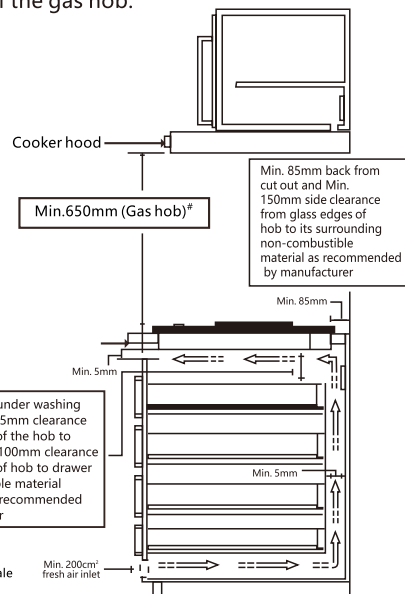
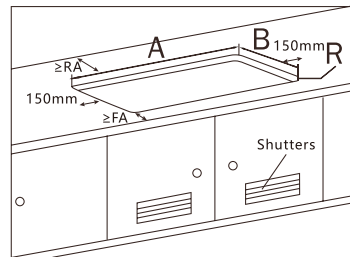
Ventilation

Maintain normal gas combustion and the amount of air required for room ventilation, the air should naturally flow through the fixed windows or vents in the room.

When installing built-in gas hob on top of stove cabinet, please check that there is provision for ventilation at the cabinet to ensure proper operation of the gas hob.

Cut-Out Dimensions

Model	A	B	R	FA	RA
FH-GS3020 SVGL	650~730mm	350~410mm	120mm	55mm	85mm
FH-GS3028 SVGL	690~830mm	390~470mm	120mm	70mm	95mm
FH-GS3030 SVGL	690~830mm	390~470mm	120mm	70mm	95mm



Above diagram is not to scale

Installation Instructions

Installation Diagram of Burner Rack & Burner Cap

Make sure that the following parts are fitted properly before use or after cleaning.

1. Burner Rack

Fit Burner Rack legs into Drip Pan (Fig.1).

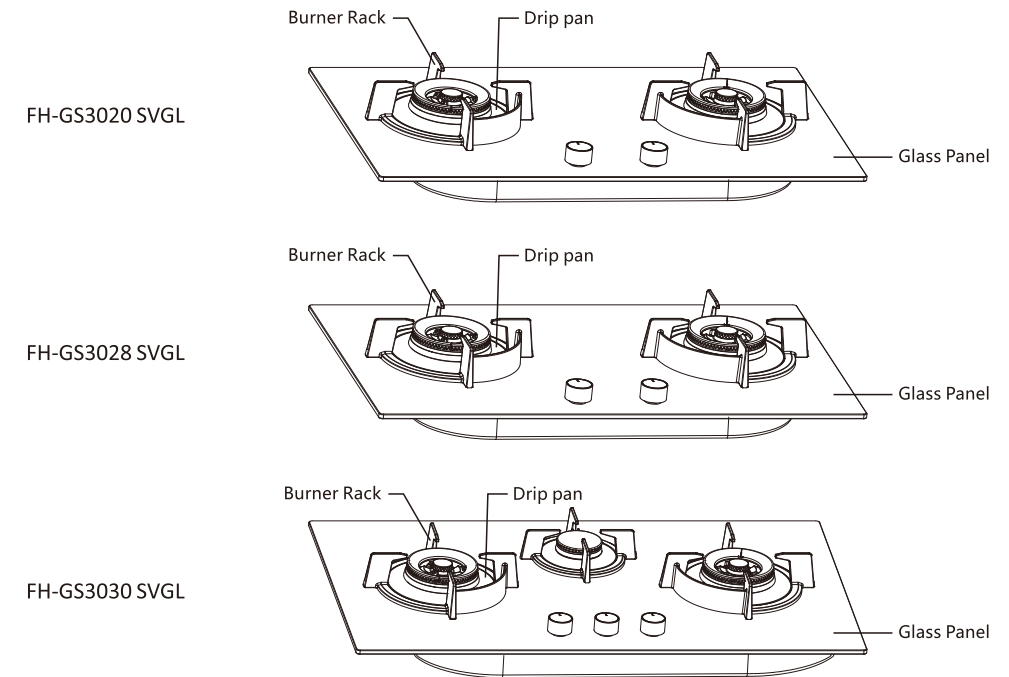


Fig.1

2. Burner head

Install the Burner Cap(S) and Burner Cap(L) into Burner Head (Fig.2), do not tilt or leave gap during installation (Fig.3).

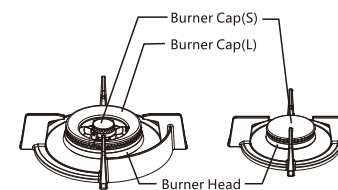


Fig.2

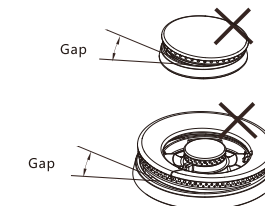
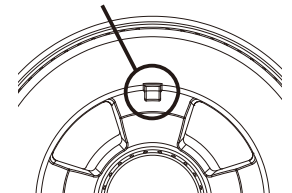


Fig.3

Attention

The position of the burner cap must be aligned with the burner head base

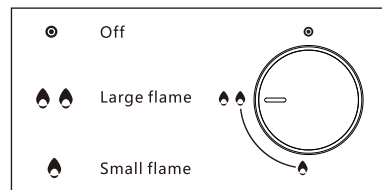
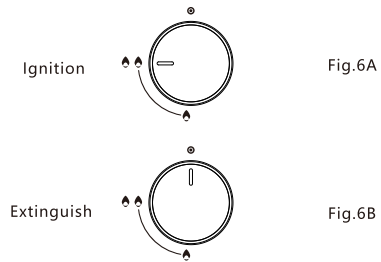


Operating Instructions

Attention

- All gas hob must be installed, commissioned and connected by registered gas installer. Do not install or repair the gas hob by yourself.
- Avoid using additional fittings, such as aluminum foil, as they may cause abnormal operation.

1. User should check that this built-in gas hob has been properly installed by Registered Gas Installer.
2. This built-in gas hob is suitable for use with the specified type of gas (LP Gas).
3. Ignition:
Make sure the flame controller knob "⊙" position, then open the gas supply valve. When igniting, press and turn the flame controller knob anti-clockwisely to 90 degree, the built-in gas hob will be automatically ignited. After ensuring the flame, the knob can be released and flame will retain, built-in gas hob must equipped with flame failure protection device. When flame has been distinguished accidentally, this protection device will work and the gas supply will stop accordingly for safety. However user please ensure that the indoor environment has sufficient ventilation.(Fig.6A)
4. Flame regulating
Different size of flame can be obtained by regulating the turning knob. As the power can adjust between "🔥🔥" and "🔥", and also can adjust from "🔥🔥" to "⊙", please adjust the flame slowly from high to low, to avoid the flame off.
5. Extinguish the flame
Return the flame controller knob to "⊙" position will extinguish the flame(Fig.6B). Please close the gas supply valve after use.
6. No igniton
Please read"Troubleshooting".



Troubleshooting

Phenomenon	Possible Cause	Solution
Cannot be ignited	Spark electrode is wet, especially in the humid season.	Dry the electrode with clean tissue or dry cloth.
	Out of battery.	Replace battery.
Flame cannot be held	Incorrect turning of gas control knob.	Press the control knob all the way down and rotate it counterclockwise to the [high fire] position until. Hear a sound. Wait until the fire is lit before letting go.
No flame	Gas meter valve and/or appliance isolating valve have been turned off.	Open gas meter valve and/or appliance isolating valve completely.
Yellow flame	Grease and dirt accumulated on burner cap.	Wash burner cap in warm water with detergent, mop it dry and then place back in correct position.
Unstable flame	Incorrect place of burner cap.	Refit burner cap into burner head base.
Smell of gas	Gas pipe is damaged or not connected well.	Stop using the appliance immediately. Shut-off gas emergency control valve and open the windows. Do not operate any electric appliances or switches. Do not use any phones on site.
	Gas valve is leaking.	

* Warning: If the gas hob cannot be ignited by the above suggested solutions, do not attempt to ignite by other means. Please contact Gas Engineering Company for repair.

*Specifications are subject to change without prior notice.

*Refer to <https://www.fujioh.com/my/> for the most up-to-date version of the Operating Instructions.

Cleaning & Maintenance

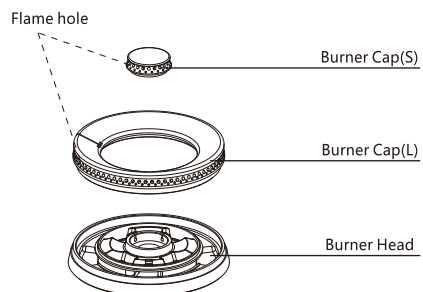
Attention

Do not clean, when the gas hob is hot.

Must be cleaned every three months or when the flame is unstable.

- Wipe the glass panel with a soft, damp cloth and mild detergent.
- Wash the burner head with warm water and detergent.
- Regularly clean the flame holes on the burner cap to keep them clear.

Remove the parts for cleaning



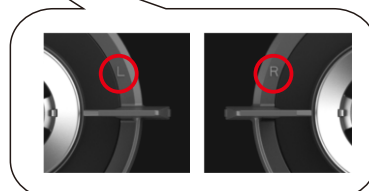
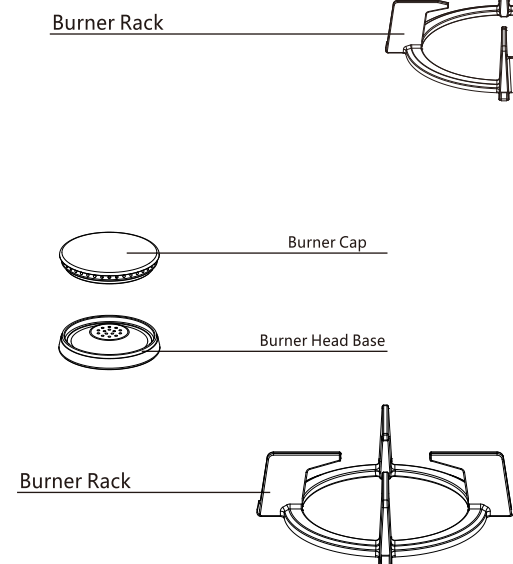
Cleanable part

1. Burner Cap(L)
2. Burner Cap(S)
3. Drip Pan
4. Burner Rack
5. Burner Head Base
6. Glass Panel
7. Control Knob

Clean parts that can be removed

1. Burner Cap(L)
2. Burner Cap(S)
3. Burner Rack
4. Burner Head Base

Put the removed parts back in place after cleaning
(Details on P.5)



Please place the pan support correctly on the burner according to the identification on the furnace ("L" represents the left side, "R" represents the right side)

Technical Specifications

Model No.	FH-GS3020 SVGL	
Cut-out Size(mm)	650~730×350~410 4-R120	
Product Size(mm)	780×460×160	
For: LP Gas Pressure: 3.0 kPa		
Input	Left: 5.0kW	Right: 5.0kW
Flame Safety Device	Yes	
Ignition	(DC 1.5V) Battery D size	

Model No.	FH-GS3028 SVGL	
Cut-out Size(mm)	690~830×390~470 4-R120	
Product Size(mm)	880×520×160	
For: LP Gas Pressure: 3.0 kPa		
Input	Left: 5.0kW	Right: 5.0kW
Flame Safety Device	Yes	
Ignition	(DC 1.5V) Battery D size	

Model No.	FH-GS3030 SVGL		
Cut-out Size(mm)	690~830×390~470 4-R120		
Product Size(mm)	880×520×160		
For: LP Gas Pressure: 3.0 kPa			
Input	Left: 5.0kW	Middle: 2.0kW	Right: 5.0kW
Flame Safety Device	Yes		
Ignition	(DC 1.5V) Battery D size		

目录

安全指引

P.1

玻璃面板注意事项

P.2

产品描述

P.3

安装说明

P.4-P.5

操作指引

P.6

故障排除

P.7

清洁与保养

P.8


技术参数

P.9

安全指引

重要事项

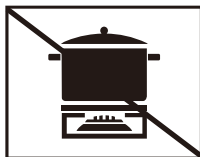
为了安全起见，在第一次使用该灶具之前，您应该仔细阅读说明书。保存使用说明书以备将来参考。该灶具专为家用而设计，只能根据这些要求进行安装和操作使用说明。

1. 燃气灶必须由注册的燃气安装工安装。
2. 确保燃气灶在通风良好的情况下使用，避免氧气不足的环境下使用。
3. 该燃气灶只能用来烹饪。请勿将其用于其他目的。
4. 于长时间使用灶具，打开窗户或排气扇以确保通风良好。
5. 使用后，检查所有控制旋钮是否已设置为“”的位置。
6. 如在使用过程中火焰熄灭，安全阀将切断气体供应。至少1分钟后再次点火。
7. 为避免意外发生，在使用燃气灶时，不要使用喷雾或压缩气体。
8. 点火后，检查火焰是否均匀、正常。
9. 煮食期间将锅具取下之前，请始终将其设置为小火或关闭旋钮。
10. 请勿使用产品附带的配件以外的其他配件。否则，会导致炉具表面温度过热。
11. 不要使用过大或过重的餐具，以免损坏灶具。
 - 只能使用直径大于200mm小于320mm的锅具。
 - 只能使用重量小于6公斤（包括食物重量）的锅具。
 - 对于辅助炉架，建议仅使用直径为8-14cm的锅具。
12. 将锅具稳定地放在炉架上。不要倾斜锅具。
13. 联系我们的售后服务团队进行维修和零件更换。在保修期内，如损坏由于误用或安装不当造成的，FUJIOH可能会收取零件费用和服务费用。
14. 安装嵌入式燃气灶时，请检查橱柜门是否有通风装置，以确保燃气灶正常工作。
15. 请勿将任何易燃材料、喷雾剂或加压容器存放在厨房橱柜内。
16. 这种燃气灶的面板由钢化玻璃制成，比普通玻璃更为安全。但是，使用带玻璃面板的燃气灶时应注意以下安全注意事项，以防止玻璃破裂：
 - 经常清洁燃烧器组件，以保持火焰分配器上的气体通道畅通，一旦燃烧器组件冷却，在食物和液体溢出后，清洁并整理火焰分配器。
 - 如果燃气器具发出异常噪音，请立即关闭燃气灶，并联系燃气供应公司或燃气灶进口商进行检查。
 - 不要使用直径过大的餐具烹饪。
 - 不要用坚硬的物体撞击玻璃表面，也不要放在玻璃表面放置重物。

玻璃面板注意事项

- 不要在锅和锅架之间放置任何东西，例如石棉垫等，因为可能会对锅具造成严重损坏。

注：锅具可以是圆形或方形。



- 不要取下锅支架，用锅架将燃烧器围起来，因为这会使热量集中并转移到面板上。

注：锅具可以是圆形或方形。



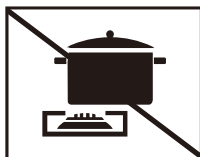
- 不要使用大锅或重物，因为它们会导致锅架变形或将火焰转移到面板上。

注：锅具可以是圆形或方形。



- 将锅放置在燃烧器的中央，使其稳定，不会将锅具偏离锅架。

注：锅具可以是圆形或方形。



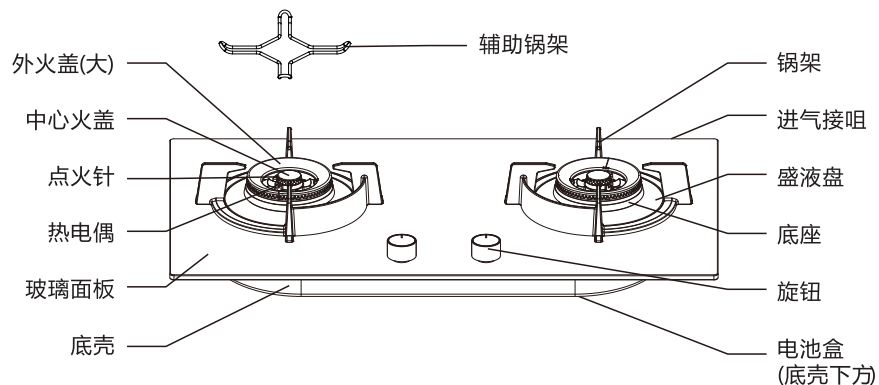
- 只能使用制造商包装内提供的辅助锅支架。

注：锅具可以是圆形或方形。

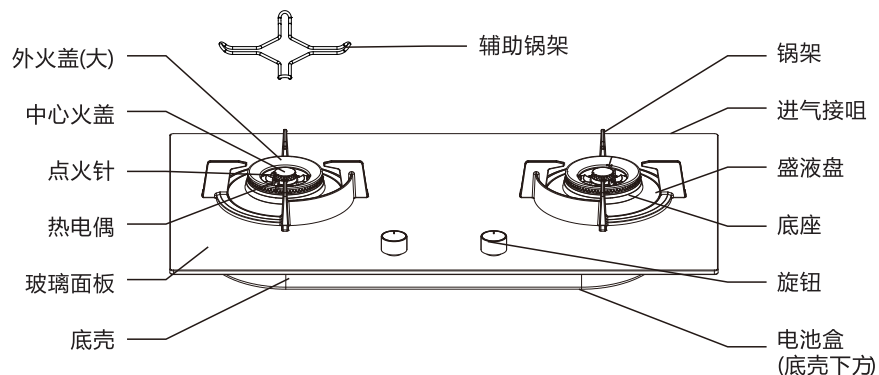


产品描述

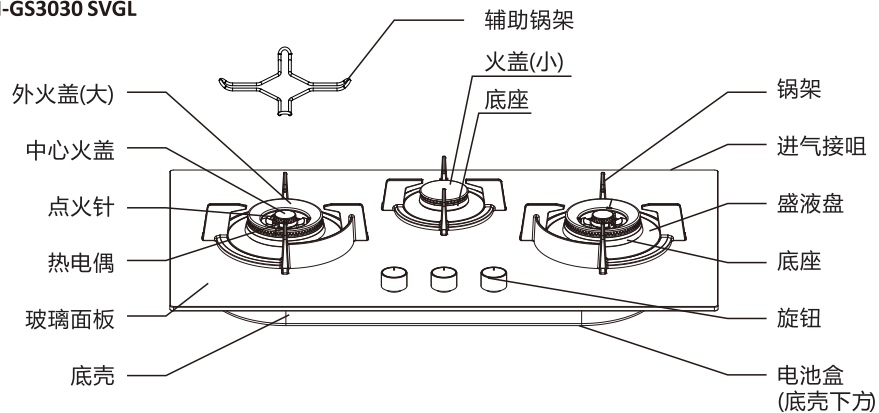
FH-GS3020 SVGL



FH-GS3028 SVGL



FH-GS3030 SVGL



安装说明

注意事项

燃气灶必须由注册的燃气安装工安装。否则，FUJIOH将不对任何损害负责。

- 设备的进气供应压力必须遵循如下要求：

气源	进气压力
液化气	3.0 kPa

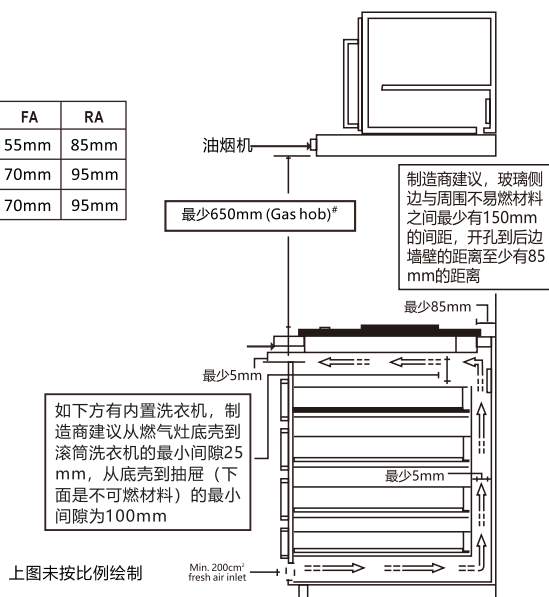
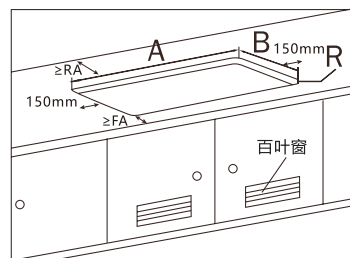
- 如果炉具连接了不兼容的压力，则会影响炉具的性能或造成损坏的风险。
- 安装燃气灶前，确保其符合当地的使用条件，包括正确的气源和气体压力。
- 该燃气灶未连接到燃烧系统的通风装置。应按照相关规定进行安装，特别注意通风要求。
- 将燃气灶安装在通风良好的房间内，并远离任何易燃或可燃物品，如纸或油。
- 将燃气灶安装在稳定、水平的台面上。
- 如果燃气灶需要安装在靠近可燃环境（如木墙、木架子）的地方，则应安装在距离侧墙至少15cm的地方。该燃气灶的安装应与周围的可燃材料保持至少15cm的距离。
- 不需要外置气压调节器。
- 风门已在工厂预设好，请不要自行去调整。

通风要求

保持正常的气体燃烧和房间通风所需的空气量，空气应自然流过房间内的固定窗户或通风口。
在炉灶柜顶部安装内置燃气灶时，请检查炉灶柜是否有通风装置，以确保燃气灶正常工作。

开孔尺寸

型号	A	B	R	FA	RA
FH-GS3020 SVGL	650~730mm	350~410mm	120mm	55mm	85mm
FH-GS3028 SVGL	690~830mm	390~470mm	120mm	70mm	95mm
FH-GS3030 SVGL	690~830mm	390~470mm	120mm	70mm	95mm



上图未按比例绘制

P.4

安装说明

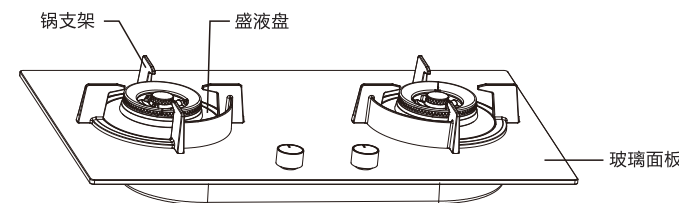
锅支架及燃烧器外火盖安装示意图

使用前或清洁后，请确保以下零件安装正确。

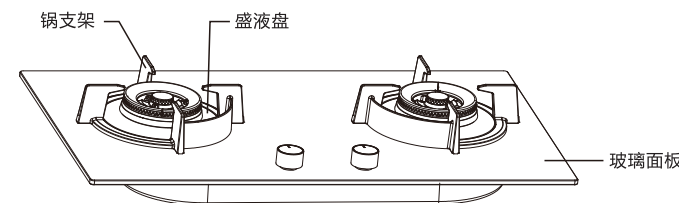
1. 锅支架

将锅支架定位正确放置于盛液盘中(参考图1)。

FH-GS3020 SVGL



FH-GS3028 SVGL



FH-GS3030 SVGL

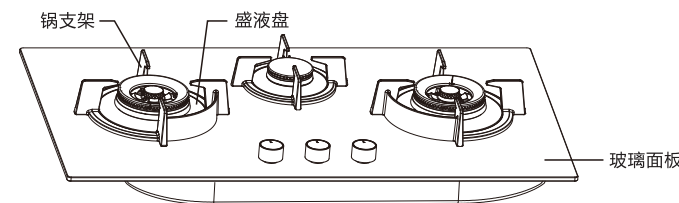


图1

2. 燃烧器外火盖

将中心火盖和外火盖安装到燃烧器底座(图2)，安装过程中不要倾斜或留下间隙(图3)。

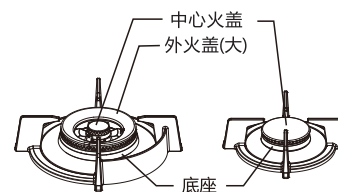


图2

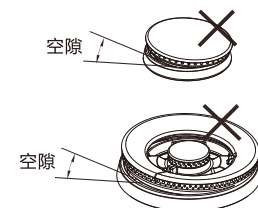
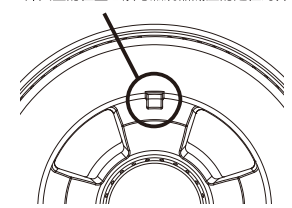


图3

注意

外火盖的位置必须与燃烧器底座的定位对齐



P.5

操作说明


注意

- 所有燃气灶必须由注册的燃气安装工安装、调试和连接。请勿自行安装或维修燃气灶。
- 避免使用额外的配件，如铝箔，因为它们可能会导致异常操作。





1. 用户应检查该嵌入式燃气灶是否已由注册燃气安装商正确安装。

2. 这种嵌入式燃气灶适用于特定类型的燃气（液化气）。

3. 点火装置:

确保旋钮位置在“”后，开启燃气供应阀。点火时，逆时针按下旋钮至90度，嵌入式燃气灶自动点火。在确保火焰稳定后，可以释放旋钮，火焰将保留，燃气灶必须配备火焰失效保护装置。当火焰被意外熄灭后，该保护装置将启动工作，为了安全起见，供气将停止供应。但是用户请确保室内环境有足够的通风。（图6A）

4 火焰调节

通过调节旋钮可以获得不同大小的火焰。由于功率可以在“”和“”之间调节，也可以从“”调整到“”。请将火焰从高到低慢慢调节，以避免火焰熄灭。

5. 火焰熄灭

将旋钮返回“”位置将熄灭火焰（图6B）。请使用后关闭供气阀。

6. 点火异常

请阅读“故障排除”。

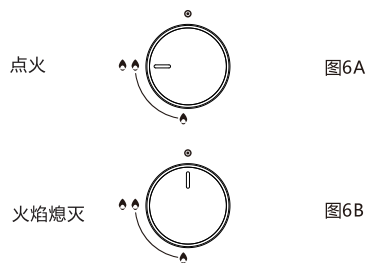
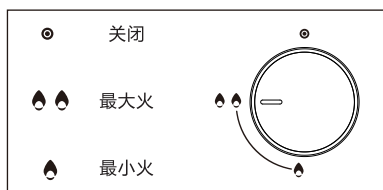


图6A

图6B



故障排除

现象	可能原因	解决方案
无法点燃	点火针潮湿，尤其是在梅雨的季节。	用干净的纸巾或干布擦干点火针。
	电池电量不足。	更换电池。
火焰无法保持	旋钮转动不正确。	一直按下控制旋钮，逆时针旋转至[大火]位置，直到听到声音等到火点着了再放手。
没有火焰	燃气表阀门或灶具隔离阀已关闭。	完全打开燃气表阀门或灶具隔离阀。
黄焰	燃烧器火盖上积聚了油脂和污垢。	用洗涤剂在温水中清洗燃烧器火盖，用干净抹布把擦干，然后放回正确的位置。
火焰不稳定	燃烧器火盖放置的位置不正确。	将燃烧器火盖重新安装到燃烧器底座上。
煤气味	燃气管道损坏或连接不好。	立即停止使用燃气炉具。关闭燃气应急控制阀，打开窗户。
	阀体漏气。	请勿使用任何电器或开关。请勿在现场使用任何电话。

* 警告：如果以上建议的解决方案无法点燃燃气灶，请不要尝试通过其他方式点燃。请联系燃气工程公司进行维修。

* 规格如有更改，恕不另行通知。

* 参考网页 <https://www.fujioh.com/my/> 获取最新版本的操作说明。

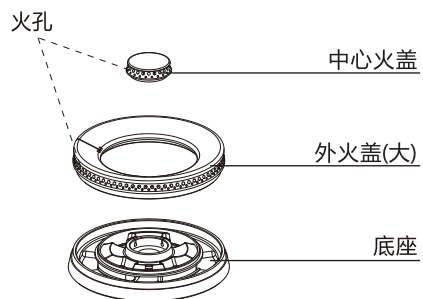
清洁与维护

注意

燃气灶很热时请不要清洗。
必须每三个月或在火焰不稳定时进行一次清洁。

- 用柔软的湿布和温和的洗涤剂擦拭玻璃板。
- 用温水和洗涤剂清洗燃烧器火盖。
- 定期清洁燃烧器火盖上的火焰孔，使其保持清洁。

拆下零件进行清洁



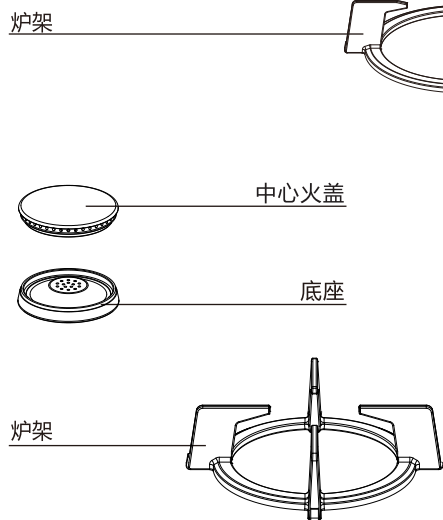
可清洁部件

1. 燃烧器外火盖
2. 燃烧器中心火盖
3. 水盘
4. 炉架
5. 燃烧器底座
6. 玻璃面板
7. 旋钮

清洁可拆卸的零件

1. 燃烧器外火盖
2. 燃烧器中心火盖
3. 炉架
4. 燃烧器底座

清洁后将拆下的零件放回原位
(详情见P.5)



请根据炉架上的标识正确放置在对应炉头上使用 (“L”代表左边, “R”代表右边)

技术参数

型号	FH-GS3020 SVGL
开孔尺寸(mm)	650~730×350~410 4-R120
产品尺寸(mm)	780×460×160
气源: 液化气 燃气压力: 3.0 kPa	
功率	左: 5.0kW 右: 5.0kW
熄火保护装置	有
点火装置	(DC 1.5V) 大号电池

型号	FH-GS3028 SVGL
开孔尺寸(mm)	690~830×390~470 4-R120
产品尺寸(mm)	880×520×160
气源: 液化气 燃气压力: 3.0 kPa	
功率	左: 5.0kW 右: 5.0kW
熄火保护装置	有
点火装置	(DC 1.5V) 大号电池

型号	FH-GS3030 SVGL
开孔尺寸(mm)	690~830×390~470 4-R120
产品尺寸(mm)	880×520×160
气源: 液化气 燃气压力: 3.0 kPa	
功率	左: 5.0kW 中: 2.0kW 右: 5.0kW
熄火保护装置	有
点火装置	(DC 1.5V) 大号电池