

-FUJIOH-

Built-in Dishwasher
Instruction Manual

Global Website

<https://global.fujioh.com>

FUJIOH INTERNATIONAL TRADING PTE. LTD.

Southeast Asia Regional Headquarters

3014A Ubi Road 1 #06-04, Singapore 408703

Tel:(65)6286 3286 Fax:(65)6285 3285

E-mail:fit@fujioh.com.sg

FUJIOH MARKETING MALAYSIA SDN. BHD.

23, Jalan Serendah 26/39, Section 26, 40400

Shah Alam, Selangor, Malaysia

Tel:(60)35103 6826

E-mail:enquiry@fujioh.my

Rev1 2025



Website

FZ-DW70
FZ-DW70 FGBK

Please read the manual carefully
before using this appliance

Thank you for purchasing this product

Please read the instruction manual carefully before installing and using this product, and follow the instructions for use. The operating instructions are crucial for maintaining the good working condition of the product. Please keep the instruction manual properly; Please fill out the product warranty card carefully at the time of purchase and keep it properly for use.

Table of contents

1. Safety warnings	3
2. Packing list	4
3. Precautions for use	4
4. Product size specifications	5
5. Name of each component	8
6. Brief description of wooden hanging board	9
7. Electrical schematic diagram	9
8. Product technical parameters	10
9. Installation precautions	11
10. Product installation guidelines	11
11. Product usage guidelines	17
12. Guidelines for using bowls and baskets	21
14. Quick introduction to products	25
15. Detailed introduction of functional programs	28
16. Cleaning and maintenance of filtration system	29
17. Common faults and their solutions	31

Symbols and meanings used in the manual:

 Important information on personal safety and preventing damage to the equipment

Notify users of the environmental Impact Statement

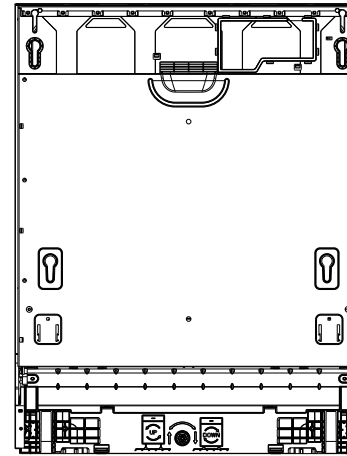
Protect the environment and eliminate pollution. The environmental impact that our company's products may cause during use is hereby notified as follows: Recyclable waste such as cardboard boxes and plastics should be disposed of in designated sorting bins after use. Dangerous waste such as discarded batteries can cause serious environmental pollution if thrown around, and should be disposed of in the corresponding recycling bin.

⚠ Safety warnings

1. It is prohibited to replace the power cord without authorization, cut or join the power cord in the middle, or use it together with other electrical appliances. Changing the cord without authorization may cause leakage or fire. The dishwasher must be properly grounded. In case of a fault, the grounding wire can divert the current and help protect the user from electric shock injury.
2. Dishwashers must be installed or removed by professionals. Unauthorized modification or maintenance may lead to dangers such as electric shock, fire, and water leakage.
3. Do not soak the dishwasher in water or spray water on it, as there is a risk of short circuit or electric shock.
4. Do not use AC power other than 187-242V, otherwise it may cause fire and electric shock.
5. Please educate children not to use or play with it alone, otherwise it may cause burns, electric shock, and other accidents.
6. When abnormal phenomena occur during use (such as burning smell), the operation must be stopped and the power must be cut off.
7. During the operation of the dishwasher, please do not open the dishwasher door casually, as there may be steam or hot water splashing. If you must open the door, first open a gap and wait for the machine to stop running before fully opening the door.
8. When installing a dishwasher, it should be kept away from heat sources to prevent the machine from malfunctioning due to high temperatures.
9. Please ensure that the installation of the inlet and outlet pipes is unobstructed, and bending is prohibited to prevent blockages in the pipes that may cause the machine to malfunction.
10. When placing dishes and utensils, be careful not to interfere with the spray arm, otherwise normal washing cannot be carried out. Please clean the food residue in the filter basket promptly after each dishwashing.
11. Do not repeatedly disassemble the inlet pipe to prevent water leakage hazards caused by improper installation or other reasons.
12. The appliance should be connected to the water source using a new hose assembly, and the old hose assembly should not be reused.
13. If the power cord is damaged, in order to avoid danger, it must be replaced by professionals from the supplier, their maintenance department, or similar departments.
14. After installing the dishwasher, if it is not used for a long time, the faucet must be turned off and the power plug must be unplugged.
15. The door should not remain in an open position all the time, as this may pose a risk of the appliance tipping over.
16. When cleaning and maintaining, please be sure to wear gloves to prevent injury caused by some internal metal structural components.
17. When the machine is not plugged in, the water source must be turned off.
18. Knives and other sharp tools must be placed in baskets with their tips facing downwards or horizontally.
19. When used as household and similar appliances, for example:
 - Kitchen use in shops, offices, and other work environments;
 - Farm;
 - Customers use it in hotels, motels, and other types of residential environments;
 - A fast hotel environment that only provides beds and breakfast.
20. Machines cannot be used by individuals (including children) with physical, sensory, or mental disabilities or lacking experience and knowledge in their use, unless they are supervised or guided by someone responsible for their safety in relation to the use of the equipment.
21. Children should be taken care of to ensure that they do not play with this equipment.

Packing List

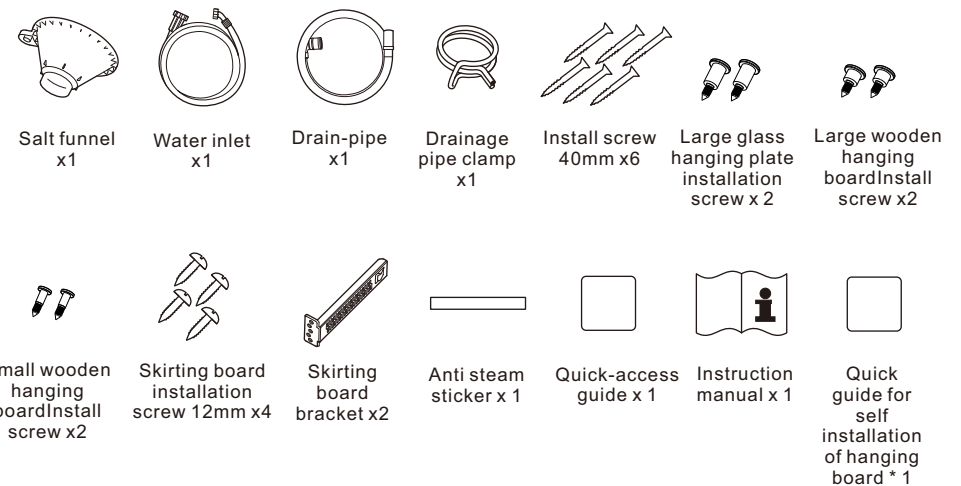
Please check if the accessories inside the packaging box are complete according to the list (Product model: FZ-DW70)



Dishwasher x1

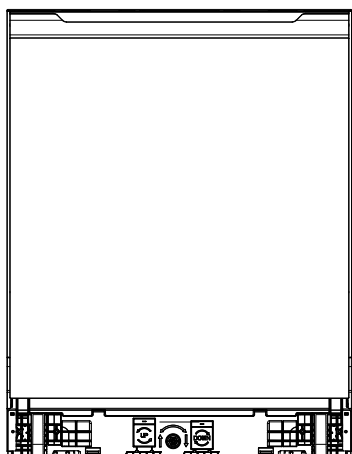
Tips:

- The illustrations of products, accessories, user interfaces, etc. in the manual are only schematic diagrams for reference.
- Due to product updates and upgrades, there may be slight differences between the actual product and the schematic diagram. Please refer to the actual product for accuracy.
- The illustrated product and packaging box accessories are models that have already been configured and installed with glass hanging plates.
- For models without configured hanging boards, if users need to purchase and install hanging boards themselves, please refer to the quick guide for self installation included in the hanging board packaging.



Packing List

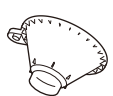
Please check if the accessories inside the packaging box are complete according to the list (Product model: FZ-DW70 FGBK)



Dishwasher x1

Tips:

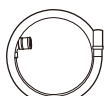
- The illustrations of products, accessories, user interfaces, etc. in the manual are only schematic diagrams for reference.
- Due to product updates and upgrades, there may be slight differences between the actual product and the schematic diagram. Please refer to the actual product for accuracy.
- The illustrated product and packaging box accessories are models that have already been configured and installed with glass hanging plates.
- For models without configured hanging boards, if users need to purchase and install hanging boards themselves, please refer to the quick guide for self installation included in the hanging board packaging.



Salt funnel
x1



Water inlet
x1



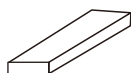
Drain-pipe
x1



Drainage
pipe clamp
x1



Install screw
40mm x4



Skirting board
configuration
package x 1



Skirting board
installation
screw 12mm x4



Skirting
board
bracket x2



Anti steam
sticker x 1



Quick-access
guide x 1



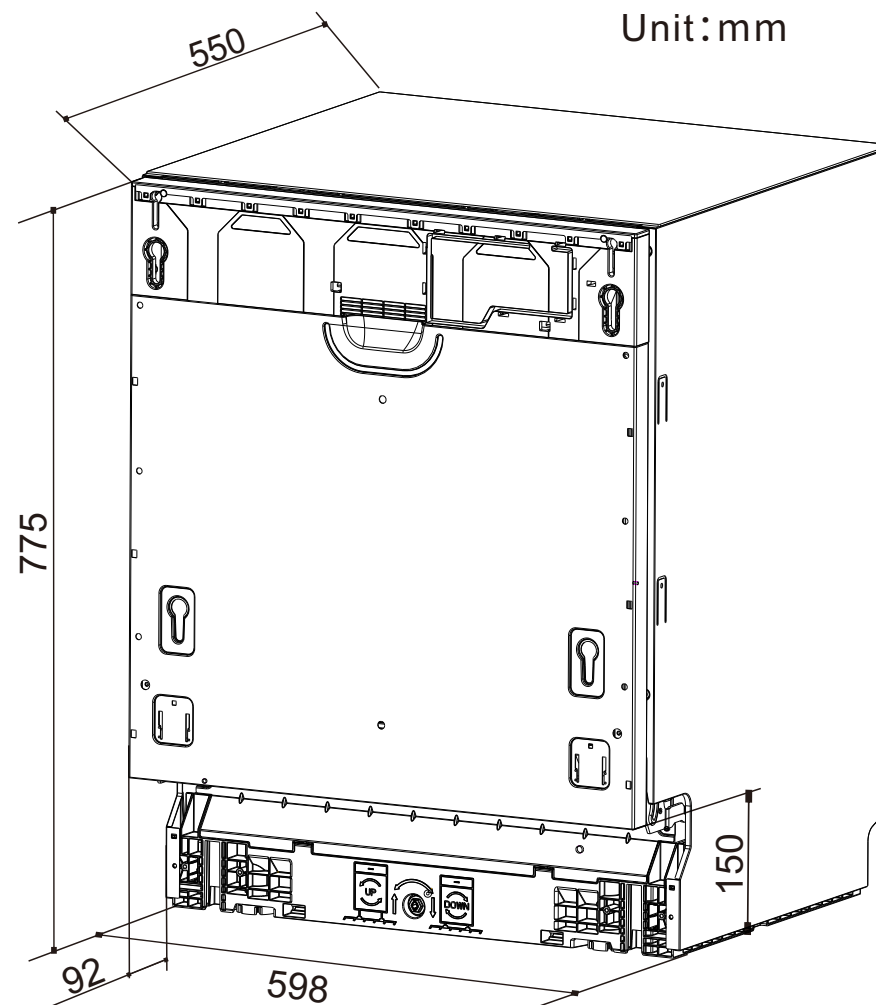
Instruction
manual x 1

Precautions for use

1. Do not power on the dishwasher until it is fully installed. Check that the water and electricity are unobstructed before turning it on.
2. Dishwasher specific salt must be added to the water softener and cannot be replaced with edible salt, industrial salt, or sea salt. Non specialized salt can cause rusting of the dishwasher liner and prevent the machine from functioning properly.
3. Dishwashers must use specialized dishwashing powder and rinse aid, and it is strictly prohibited to use dishwashing detergent, laundry detergent, soap solution, etc. as substitutes.
4. Dishwasher specific dishwashing powder has strong alkalinity. Please keep it out of reach of children, as it can be very dangerous if ingested by mistake.

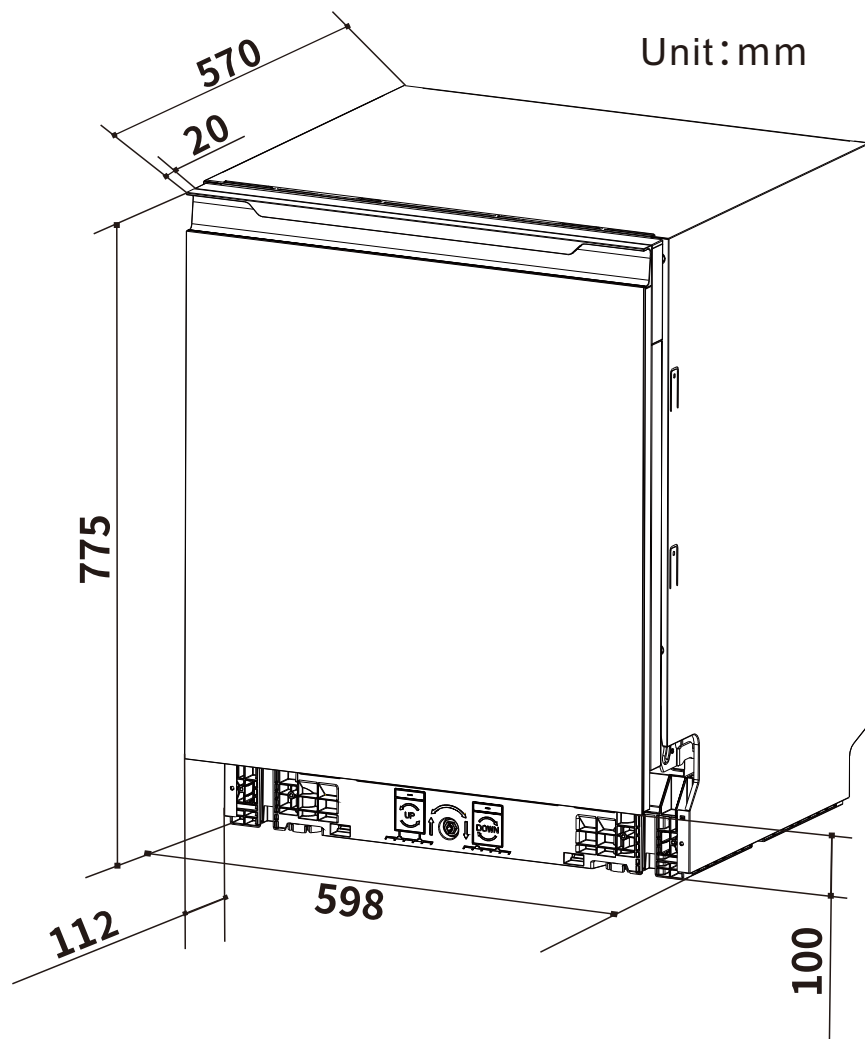
Product size specification

(Product model: FZ-DW70)

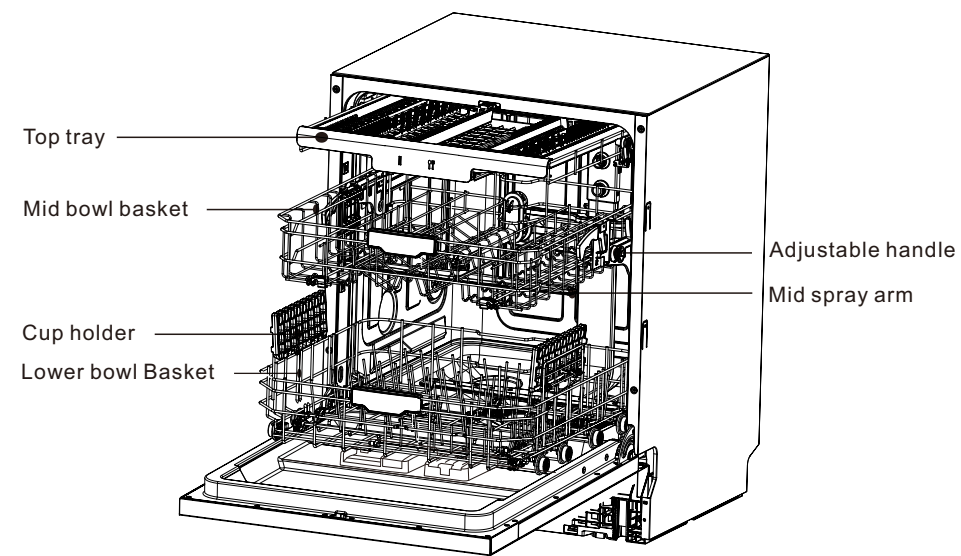
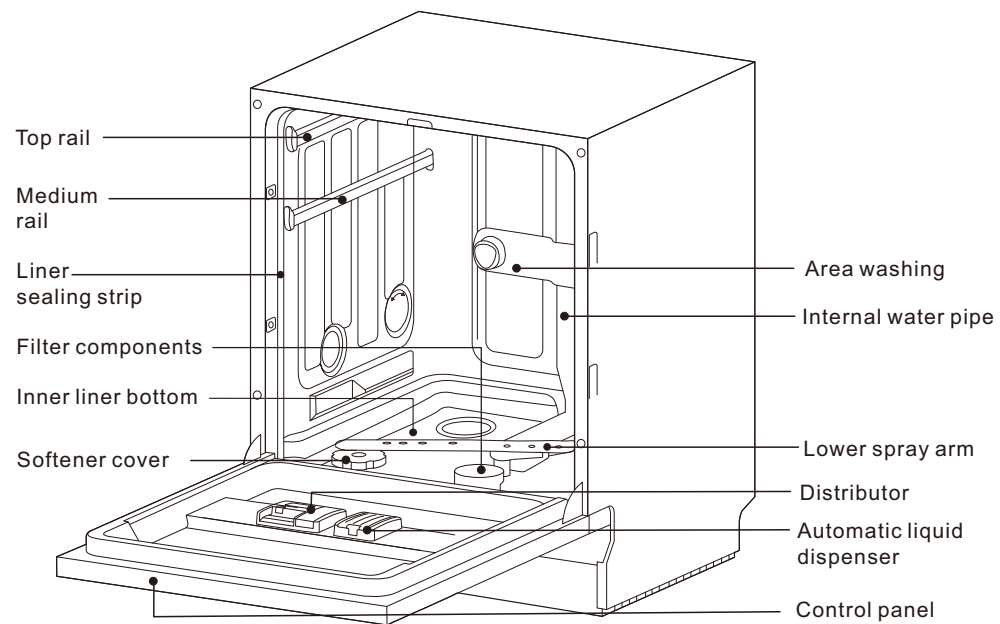


Product size specification

(Product model: FZ-DW70 FGBK)

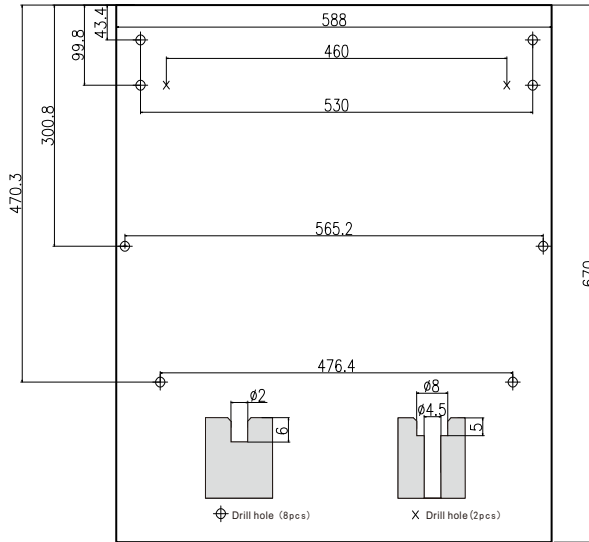


Name of each component

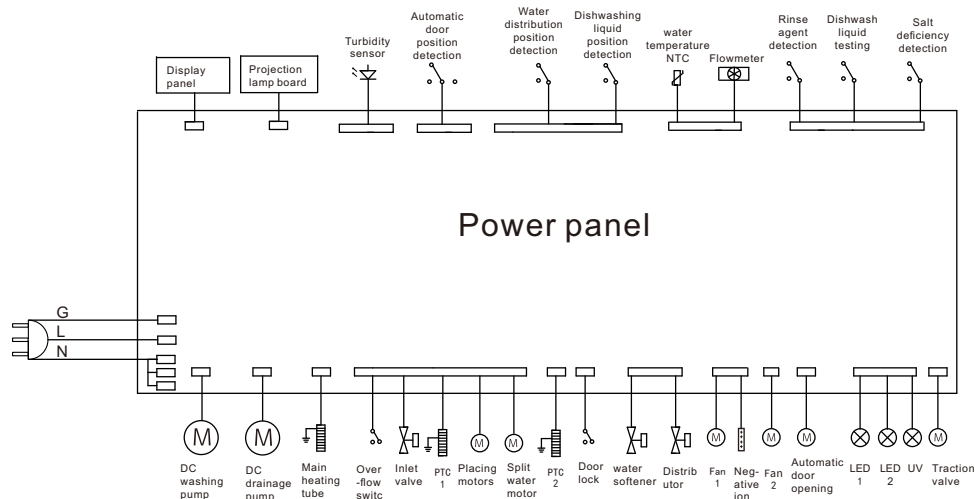


Brief description of wooden hanging board

- 1.If the FZ-DW70 model requires installation of wooden hanging boards (door panels), the manufacturer recommends a size of 588 * 670, Customers can make appropriate adjustments according to the actual cabinet situation;
2. The door panel can be processed as shown in the following figure.
3. The installation position of the door handle hole is the recommended size, and the actual size depends on the actual situation of the door panel handle.
4. The handle and its mounting screws are not included in the accessories.
5. For detailed installation methods and instructions of the wooden hanging board, please refer to the self installation instructions included in the package.



Electrical schematic diagram



Product technical parameters

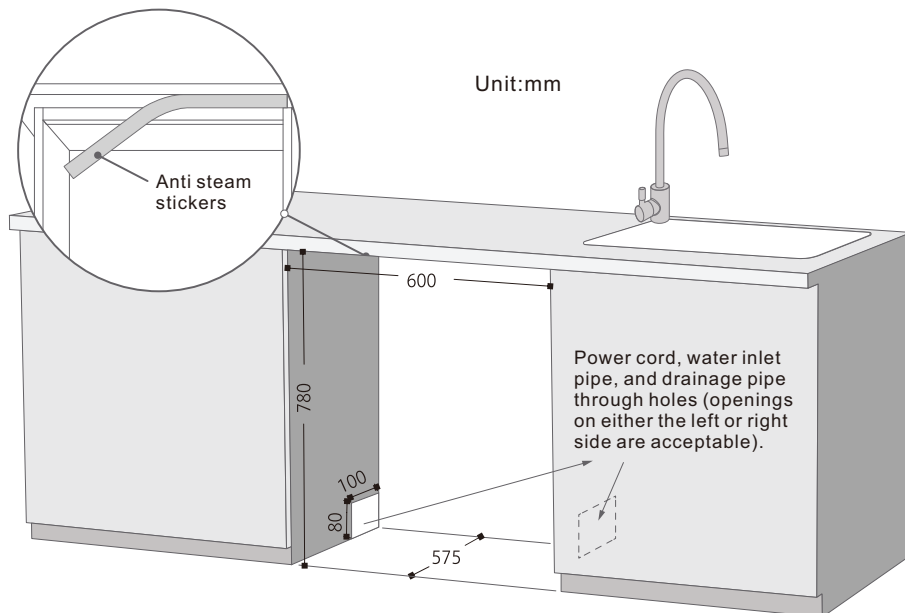
Model	FZ-DW70	FZ-DW70 FGBK
Rated Voltage	220-240V~	220-240V~
Rated Frequency	50Hz	50Hz
Rated Power	1800W	1800W
Washing method	Jet type	Jet type
Drying method	Automatic door opening+dual hot air drying+residual temperature drying	Automatic door opening+dual hot air drying+residual temperature drying
Applicable Water Pressure	0.04-1.0MPa	0.04-1.0MPa
Waterproof Rating	IPX1	IPX1
Rated Tableware	16 Sets	16 Sets
Water consumption	12.3 L (ECO)	12.3 L (ECO)
Display mode	LED display	LED display
Control mode	Touch control	Touch control
Installation method	Built-in	Built-in
UV light	Yes	Yes
Negative ion	Yes	Yes
Bowl basket load-bearing capacity	Knife and fork tray≤1.5kg Mid bowl basket≤7kg Lower Bowl Basket≤16kg	Knife and fork tray≤1.5kg Mid bowl basket≤7kg Lower Bowl Basket≤16kg
Product size	598*775*550 mm	598*775*570 mm
Packaging box volume	725*927*715 mm	725*927*715 mm
Net weight	39.8kg	51.9kg

Installation precautions

1. The dishwasher should be installed steadily in a place that is easy to operate, maintain, and secure (not tilted).
2. It is strictly prohibited to install dishwashers and power sockets in places that may be damp or exposed to water.
3. It is necessary to confirm whether the grounding electrode of the power socket is effective.
4. When handling and placing, it should be lifted from the hand hole or bottom, and handled gently.
5. The surfaces of facilities and objects near to the dishwasher must be insulated.
6. After installation, check whether there is water leakage at the inlet connection and the outlet connection separately.
7. After installing the dishwasher, it is necessary to confirm that the dishwasher door can be opened smoothly.
8. It is best to have inlet pipes and drainage channels near the dishwasher installation, it is recommended to install a countertop dishwasher next to the sink.

Product installation guide

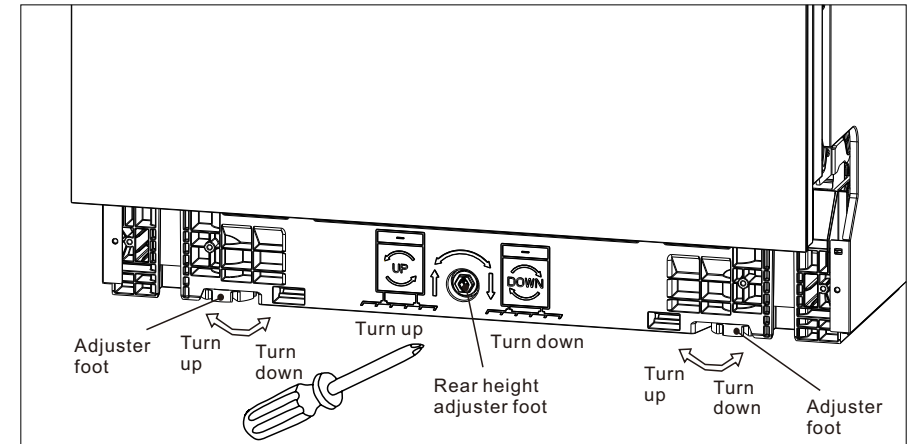
1. When installing a dishwasher embedded in a cabinet, it is recommended that the minimum opening size for the cabinet be 600mm wide, 780mm high, and 575mm deep (see figure below).
2. The installation location should be close to the sewer and water source, and equipped with a three hole socket with a current of 10A. The socket needs to be reliably grounded and installed in the cabinet adjacent to the dishwasher.
3. The inlet pressure should be within 0.04-1MPa, and the inlet water temperature should not exceed 40 °C.
4. The installation position of the cabinet needs to have a 100 × 80mm opening below the wall for water inlet pipes, drainage pipes, and power lines to pass through (see the figure below).
5. Stick the anti steam sticker on the top inner surface of the cabinet as shown in the diagram.
6. When the height of the cabinet is not suitable, adjust the dishwasher legs.



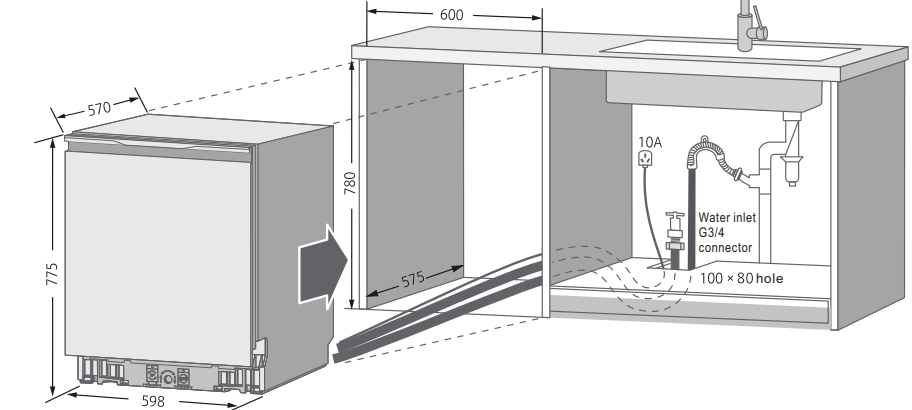
Product installation guide

Instructions for adjusting feet

1. There are 3 adjustable feet at the bottom of the machine, which can adjust the height of the whole machine according to needs, with adjustable height ranging from 0-40mm.
2. There are one adjustment foot on each side of the front of the machine base, which can be manually turned in the direction shown below to adjust the height of the front of the machine up or down.
3. There is one adjustment foot at the back of the machine base. After inserting a cross screwdriver into the adjustment hole of the rear foot, turn the screw in the direction of the arrow shown below to adjust the height of the back of the machine.



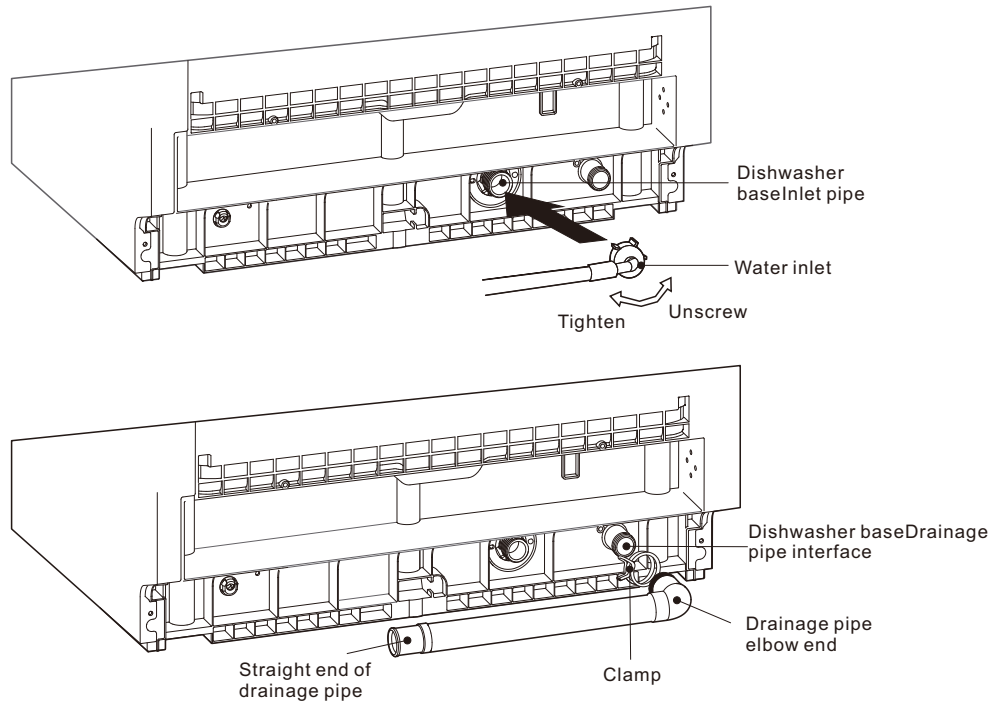
Built-in install



Product installation guide

Connection between water inlet pipe, drainage pipe and dishwasher

1. Remove the outer packaging of the dishwasher, take out the accessories, and according to the packing list in this manual, count the accessories to ensure all items are included.
Tip: foam and plastic are potentially dangerous to children, please throw them into the dustbin by category.
2. Before installing the inlet pipe, pay attention to checking whether the sealing ring and filter screen of the G3/4 on the inlet pipe have fallen off.
3. Connect the elbow end (G3/4) of the inlet pipe to the dishwasher inlet and tighten it by rotation.
4. Connect the elbow end of the drainage pipe to the drain outlet of the dishwasher base and tighten it with a clamp.



Connection between inlet pipe and faucet:

1. For a regular faucet (Figure 1), it is necessary to insert the adapter into the faucet and tighten the screws, then connect the inlet pipe to the adapter.
2. The faucet with a buckle (Figure 2) can be directly connected by fitting the inlet pipe into the faucet interface.
3. Inlet angle valve (Figure 3), connect the G3/4 of the inlet pipe to the angle valve, rotate and tighten.
4. The product is equipped with a G3/4 water inlet pipe as standard (user from supporting role valve). If the first two installation methods are used, please purchase accessories by yourself.
5. The connection method of the faucet is the same as that of the general household automatic washing machine water pipe connection method.

Product installation guide

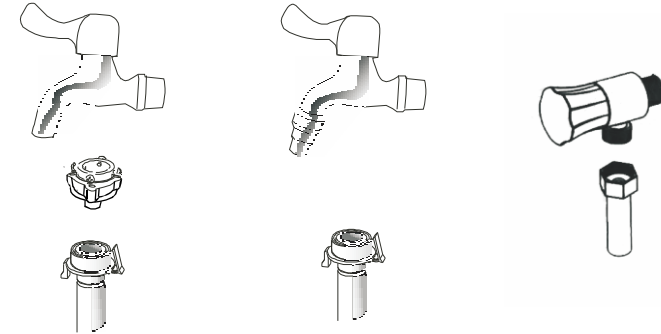
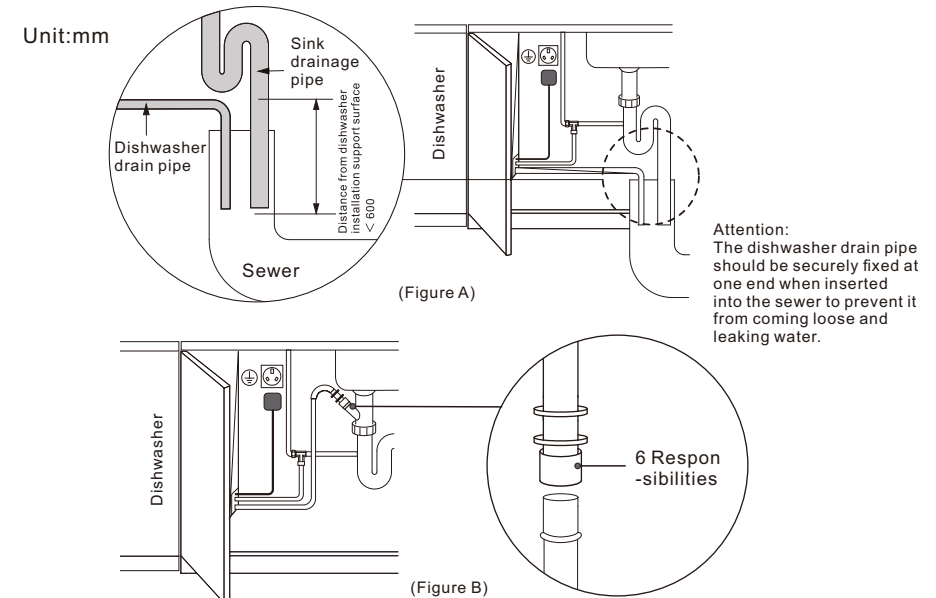


Figure 1 Ordinary faucet Figure 2 Faucet with Buckle Figure 3 Inlet angle valve

Connection of drainage pipe outlet

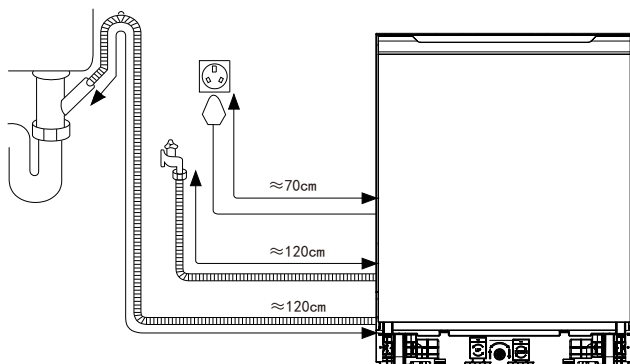
1. The straight end of the drainage pipe can be inserted into an upright sewer pipe, as shown in Figure A.
2. The straight end of the drainage pipe can be connected to the curved joint of the sink drain and fixed properly, as shown in Figure B.
3. Before installation, please ensure that the drainage pipe is not bent, squeezed, or dented.
4. It is best to install the dishwasher near the drain pipe. The extension length of the dishwasher drain pipe is about 1.4 meters. If it is too far away, users need to purchase adapters and drain pipes themselves, and the total length of the pipes should not exceed 4 meters, otherwise it will reduce the washing performance of the dishwasher.



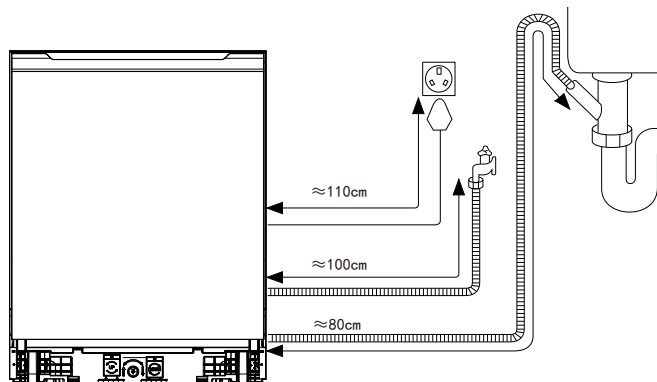
Product installation guide

Precautions for dishwasher water and electricity connection:

1. The inlet and outlet pipes can be placed on the left or right side according to installation needs.
2. Choose a location close to the water supply and drainage pipelines. At the same time, be close to a power source with reliable grounding.
3. When installing water and electricity in a dishwasher, attention should be paid to the installation direction on both sides, and it should be placed as close as possible to the socket, inlet angle valve,



Left Connection Diagram

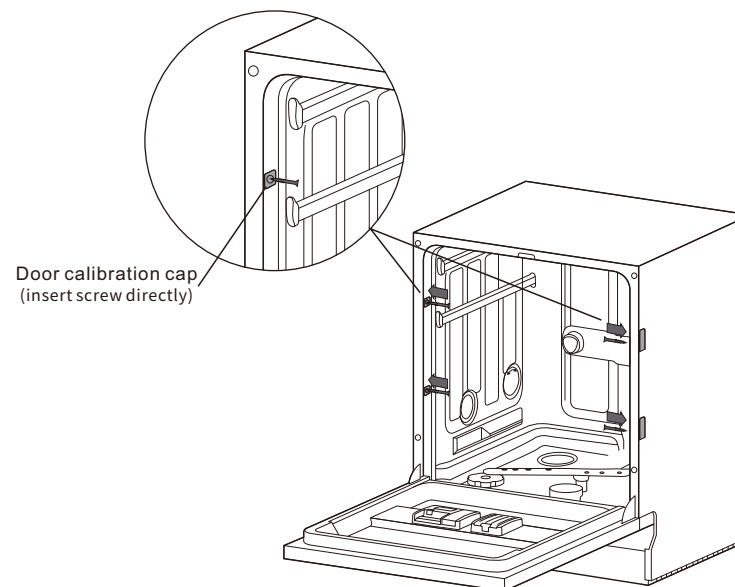


Right Connection Diagram

Product installation guide

Fixing of dishwasher:

1. Place the embedded dishwasher smoothly into the pre drilled cabinet. After placing it in place, open the dishwasher door, follow the instructions in the diagram, and then tighten the screws to the side panel of the cabinet.



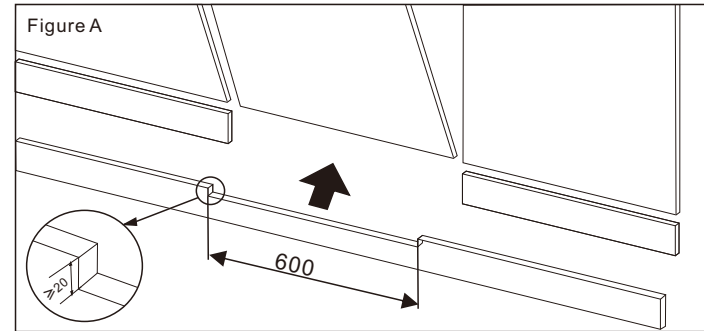
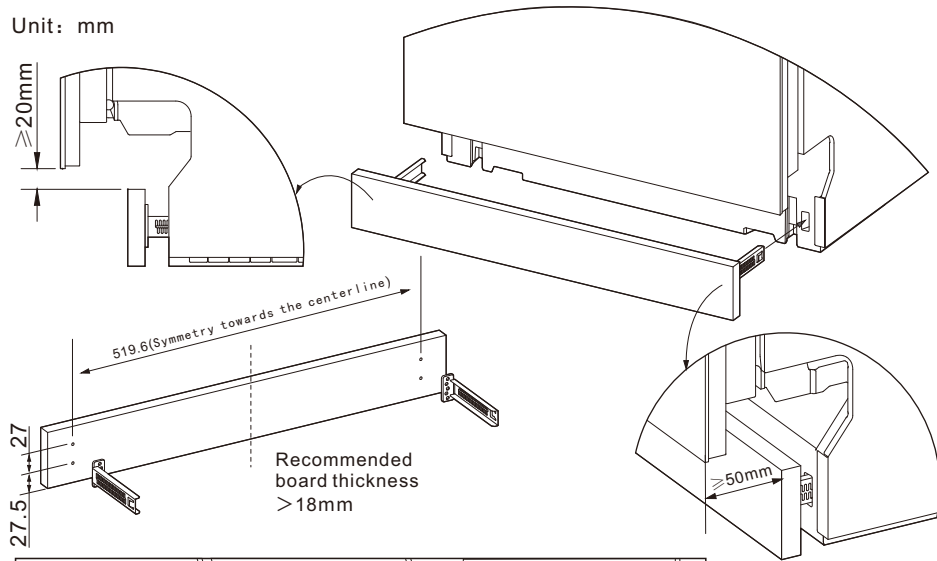
Inspection of dishwasher after installation:

1. Check whether the dishwasher is installed smoothly and firmly.
2. Check if the connections between the inlet and outlet pipes are properly connected and if there are any leaks.
3. Ensure the power plug is properly plugged in.
4. Make sure the water inlet faucet is turned on.
5. Open the dishwasher door, install the upper basket (with upper spray arm), lower basket, and lower spray arm in place, and manually rotate the spray arm smoothly to remove the remaining accessories inside.
6. Turn on the dishwasher, select any washing program, and run it for 5-10 minutes without any abnormal shutdown. During the operation of the dishwasher, if there is a need to open the door, keep a safe distance to avoid skin burns from hot water vapor. Stay slightly away from the dishwasher to avoid skin burns from hot water vapor.

Product usage guidelines

Installation instructions for skirting board

Unit: mm



Hole size and height(mm)	780	790	800	810	820
Skirting board height(mm)	80	90	100	110	120

Attention:

1. The top of the kickboard should be no less than 20mm away from the bottom of the dishwasher door.
2. It is necessary to meet the requirement that the height of the opening size - the height of the kickboard - be ≥ 700 mm in order to avoid the kickboard obstructing the opening and closing of the dishwasher door.
3. To ensure the normal display of the projection lamp, the distance between the front of the kickboard and the front of the machine panel after installation should be ≥ 50 mm.
4. If the dishwasher skirting board is integrated with the cabinet skirting board, there is no need to install a skirting board bracket to fix it.
5. If you want the lower edge of the door to be flush with the cabinet door without affecting the opening and closing of the door, it is recommended that the skirting board under the machine be at least 20mm lower than the skirting boards in other positions, as shown in Figure A;

Product usage guidelines

The function of dishwasher and water softener:

In order to achieve good dishwashing results, dishwashers need to use soft water with lower hardness (water with low limestone content), otherwise white limestone marks will be left on the tableware and dishwasher liner after washing. The tap water in general areas needs to be softened, which means removing the calcareous components from the water. The embedded dishwasher has a water softening device, which can soften the water when filled with specialized salt. If the local water quality does not require the use of specialized salt, it will not affect the normal use of the dishwasher. If you are not sure about the hardness value of the local tap water, please consult the local tap water company.

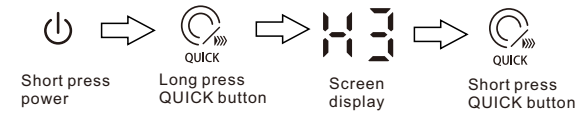
Setting of water softener:

1. The water hardness setting has 6 adjustment functions, and the factory default is H3.
2. After short pressing the "⏻" button to turn on the device, long press the "QUICK" button before pressing the "▷" button to enter the water hardness setting interface. The screen will display H3. Short press the "QUICK" button once, and the screen will display H4. After repeatedly pressing the button, the screen will display H0-H5 in a loop. Users can select the corresponding level according to the local water hardness value. After setting, they can press other buttons to exit the setting interface.

Water hardness (ppm)	Water hardness level
0-90	H0
100-200	H1
210-300	H2
310-400	H3
410-600	H4
610-800	H5

Note: H0 level indicates no need to add softened salt and does not display a salt

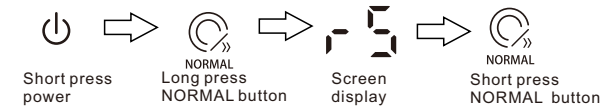
Adjust the operation level according to the table above



Setting of rinse aid level:

1. The rinse aid has a 7-speed adjustment function, and the factory default is r5.
2. After short pressing the "⏻" button to turn on the device, before pressing the "▷" button, long press the "Normal" button to enter the rinse aid setting interface, where the screen displays r5. Short press the "Normal" button once, and the screen displays r6. After repeatedly pressing the button, the screen will cycle through r0-r6. After setting, you can press other buttons to exit the setting interface.

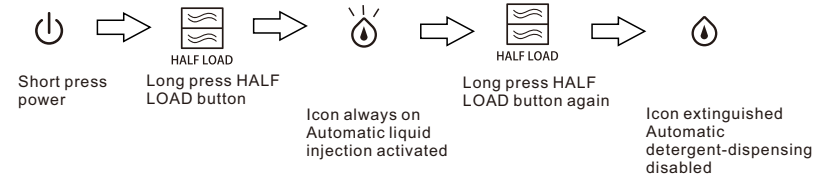
Note: r0 indicates that no rinse aid is required, and the warning icon for missing rinse aid is not displayed. The higher the operation level, the more rinse aid is used.



Opening and closing of automatic liquid dispensing function:

1. After short pressing the "⏻" button to turn on the device, before pressing the "▷" button, long press the "HALF LOAD" button until the automatic liquid dispensing icon on the screen stays on, indicating that the automatic liquid dispensing function is turned on. Long press the "HALF LOAD" button again until the automatic liquid dispensing icon on the screen goes out, indicating that the automatic liquid dispensing function is turned off. You can press other buttons or leave the settings interface automatically after 5 seconds of no button operation.

Note: Turning off the automatic liquid dispensing function will not automatically dispense dishwashing liquid, and the machine is set to off by default. Activate the automatic liquid dispensing function, and the program will automatically dispense dishwashing liquid when running.

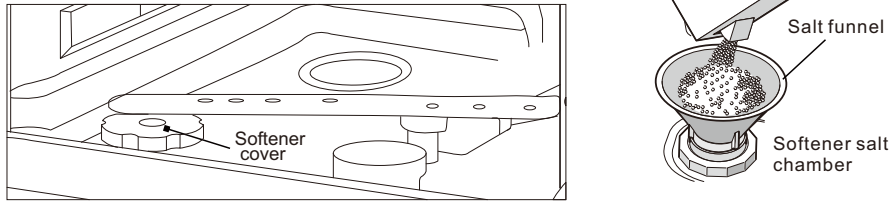


Product usage guidelines

Adding dishwashing salt:

1. Open the dishwasher door, take out the bowl basket, and unscrew (counterclockwise) the water softener cover.
2. Insert the salt hopper and fill it with dishwasher specific salt (edible salt is prohibited). After adding it all at once, it can be used multiple times.
3. After adding salt, fill the water softener with clean water and try not to overflow.
4. Tighten the water softener cover clockwise and wipe the surrounding area clean with a damp cloth to prevent saltwater from corroding and rusting the inner container.
5. When the salt in the water softener is insufficient, the display screen will show "S" to remind you to add specialized salt.
6. After adding salt each time, it is recommended that the dishwasher run an empty washing program once to flush the inner container.

Attention: Dishwasher rust and malfunctions caused by the use of non specialized salt will not be covered by the warranty.



Addition of dishwashing powder:

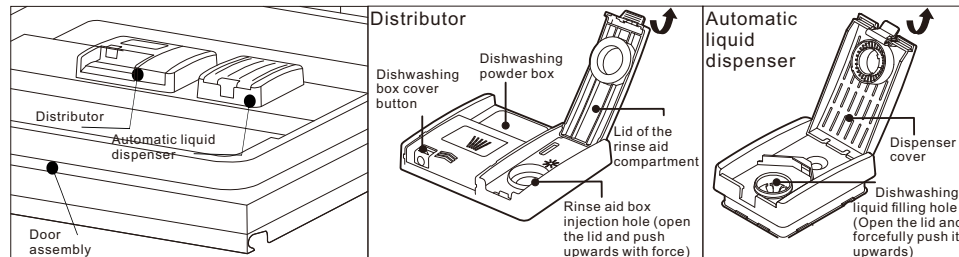
1. Open the dishwasher door, and the dispenser can be seen on the inner shell of the door. Press the dishwasher lid button on the dispenser, and the lid will automatically pop open.
2. Pour dishwashing powder into the detergent-powder compartment using a spoon, and then cover it with a lid.
3. Users can choose to add more or less dishwashing powder based on the amount and degree of dirtiness of the tableware, and there is a reference line in the dishwashing powder compartment.
4. When not using the dishwasher, please do not place dishwashing powder, as it may become damp and unable to fully dissolve.

Addition of rinse aid:

1. When it is necessary to add rinse aid, the display screen will show "*". At this time, user can add rinse aid to the dispenser.
2. After flipping up the lid of the rinse aid compartment and opening it, add rinse aid to the injection hole. Fill it up with about 120ml at once, and it can be used multiple times after each addition.
3. After adding, cover the lid back and fasten it in place, and wipe off any accidentally spilled rinse aid.
4. The dosage setting of the rinse aid should be set according to the method of rinse aid setting the distributor's rinse aid dosage level in this manual.

Addition of dishwashing liquid:

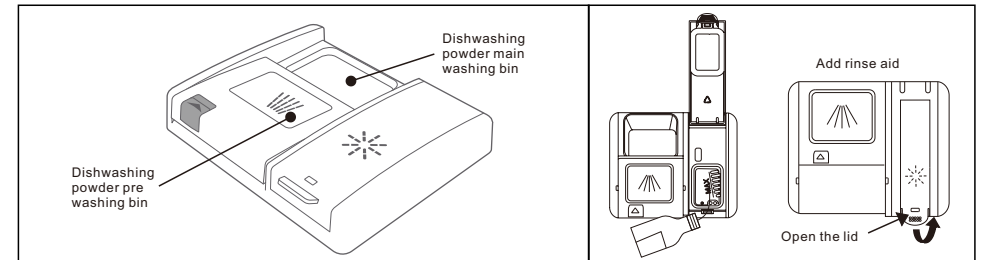
1. Open the door of the dishwasher, and you can see the automatic liquid dispenser on the inner shell of the door.
2. After flipping up the lid of the dispenser compartment and opening it, add dishwashing liquid to the filling hole. Fill it up with about 300ml at once, and it can be used multiple times after each addition.
3. After adding, cover the lid back and fasten it in place, and wipe off any accidentally spilled dishwashing liquid.



- Attention:
- Dishwasher specific dishwashing liquid must be used, and non dishwasher specific consumables are strictly prohibited, as this may cause the dishwasher to malfunction.
- If the drying effect of the rinse aid is not ideal, the rinse aid level can be adjusted.

Product usage guidelines

- If there is a lot of residual moisture, adjust the rinse aid to a higher level.
- When there are white or blue attachments, adjust the rinse aid to a lower level.
- Dishwashing powder, dishwashing blocks, dishwashing beads, and dishwashing liquid all have good washing effects on tableware. In practical use, only one of them can be selected for use, and they cannot be used together to avoid the dishwasher not working properly.



Suggestions for washing tableware:

1. The commonly used tableware at home can be washed in a dishwasher, but the temperature of the washing water and the addition of dishwashing powder can have different effects on tableware made of different materials.
2. It is recommended to choose glass and porcelain labeled by the manufacturer as dishwasher washable for washing.
3. The tableware and utensils in the table below are not recommended to be washed in a dishwasher.

Tableware	Prompt explanation
Bamboo tableware	Bamboo and wooden dishes, utensils, and cutting boards may deform or crack after high-temperature washing, and it is not recommended to put them in the dishwasher;
Plastic tableware	Plastic dishes and utensils may deform or crack after high-temperature washing; Heat resistant plastic tableware must be placed in the upper basket during washing;
Small caliber bottle	Can't be put in the dishwasher; Due to the small diameter, it cannot be washed thoroughly in the dishwasher;
Precious metal	After washing, the surface smoothness of tableware made of gold, silver, copper, tin, and aluminum may decrease or turn black. It is not recommended to use a dishwasher for washing;
Cast iron cookware	Iron pots that are prone to rusting are not recommended to be washed in the dishwasher;
Rag	Wiping cloths and scouring pads should not be placed in the dishwasher for washing, as it may cause dishwasher malfunction;

Precautions before placing tableware:

1. When preparing to put dishes into the dishwasher basket, please clean up any large residue to avoid affecting the washing effect.
2. When placing tableware, avoid extending it from the bottom of the bowl basket to prevent it from blocking the rotation of the spray arm and affecting the normal operation of the dishwasher.
3. Please follow the tableware placement instructions to ensure the washing effect.
4. When placing deep mouthed vessels, keep the opening facing downwards to avoid water accumulation in the container.
5. When placing the cutting tools, please place them with sharp edges facing downwards to avoid injuring the user.
6. Do not put too small items into the dishwasher for cleaning to avoid blocking the drain pipe.
7. Don't place excessively high cups in the corners of the bowl or basket to avoid them falling off during pulling.
8. Be careful not to let sharp tools cut the door seal when pushing or pulling the bowl basket, to avoid water leakage in the dishwasher.
9. For items that are difficult to clean, such as sticky cookware, baking pans, tea cups that are used year-round, and tableware that has been left to dry overnight, please choose to wash them vigorously for two or more consecutive times according to the difficulty of cleaning the tableware. If it still cannot be cleaned thoroughly, please use other cleaning tools to remove stubborn stains.

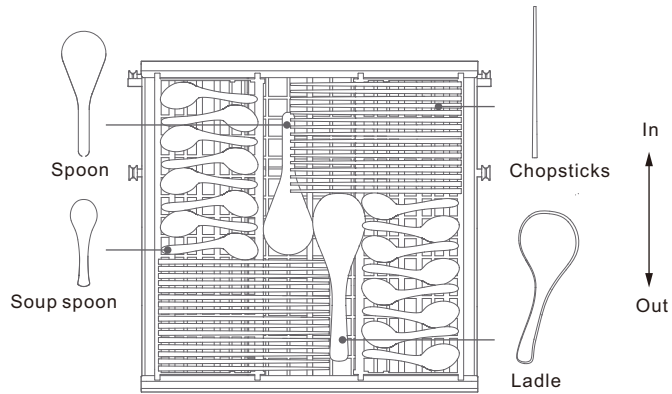


Schematic diagram of dumping large residues

Bowl basket usage guidelines

Placement of top tray tableware

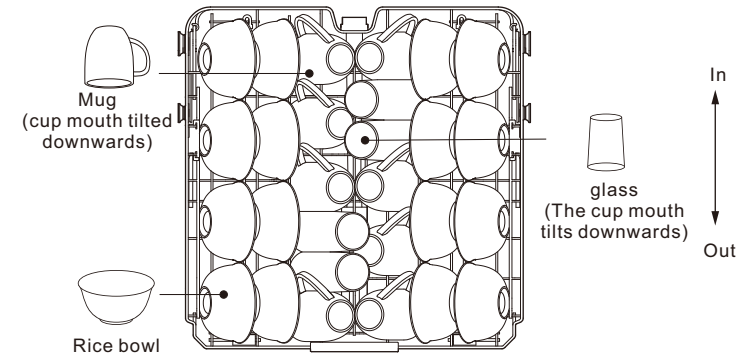
The top tray mainly holds chopsticks, rice spoons, soup spoons, and small soup spoons. Arrange correctly according to the position and method shown in the diagram. Pay attention to placement to avoid overlapping, and any unevenness while washing. Chopsticks should be placed with the thin end facing inward and the thick end facing outward. After placing spoons and chopsticks, make sure they do not touch the spray arm.



Bowl basket usage guidelines

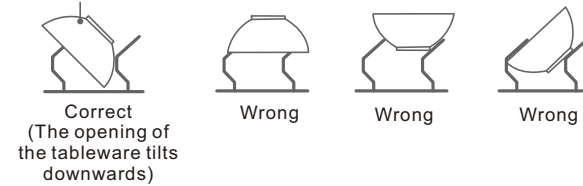
Placement of tableware in the middle bowl basket

The upper basket is mainly used to place rice bowls, mugs, and glass cups. Arrange correctly according to the position and method shown in the diagram. After placing the dishes, make sure that the rotating spray arm does not touch the dishes or cups.



The tilt angle ensures that the water at the bottom of the tableware can flow away

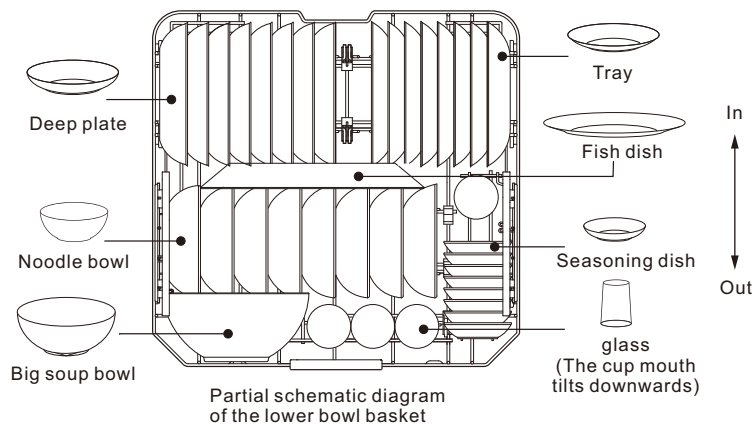
Examples of correct and incorrect placement of tableware



Bowl basket usage guidelines

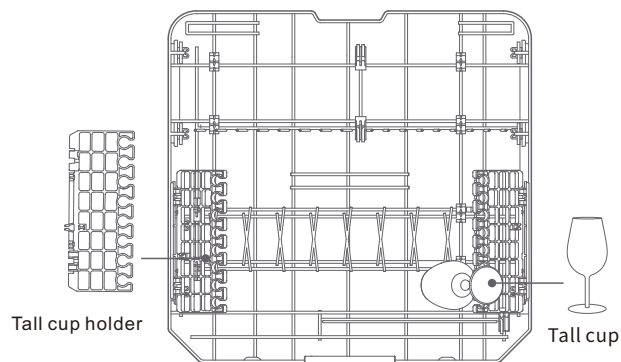
Placement of tableware for bowls

The lower bowl basket is mainly used to place tableware such as deep dishes, shallow dishes, steamed fish dishes, large soup bowls, noodle bowls, seasoning dishes, glass cups, etc. Arrange correctly according to the position and method shown in the diagram. After placing the dishes, make sure that the rotating spray arm does not touch the dishes or chopsticks.



Placement of high footed cups and other tableware

After flipping the tall cup holder, you can place utensils such as tall glasses and red wine glasses. Arrange correctly according to the position and method on the drawing.



Bowl basket usage guidelines

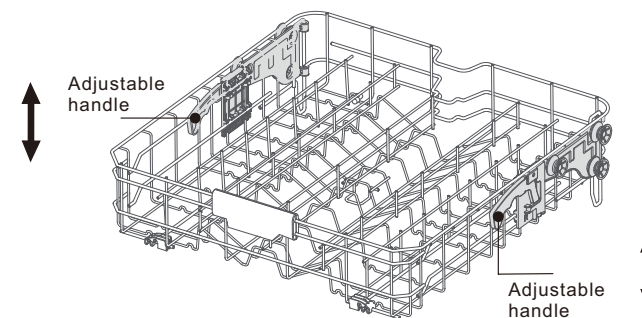
Schematic diagram of adjusting the lifting handle of the bowl basket

If the height between the upper and lower bowls and baskets is insufficient, please raise the upper bowl and basket, hold on the both ends and lift them upwards to clamp the bowl and basket at a high position; When you need to lower the bowl and basket, hold the upper bowl and basket while pulling the lifting handles on both sides, then gently lower them.

The activity row used for placing the upper and lower bowls and baskets is movable and can be folded down, and the flipping structure can be flexibly used according to the actual situation.

When cleaning pots, rice cookers, frying pans, and other containers, please ensure that the opening is facing downwards.

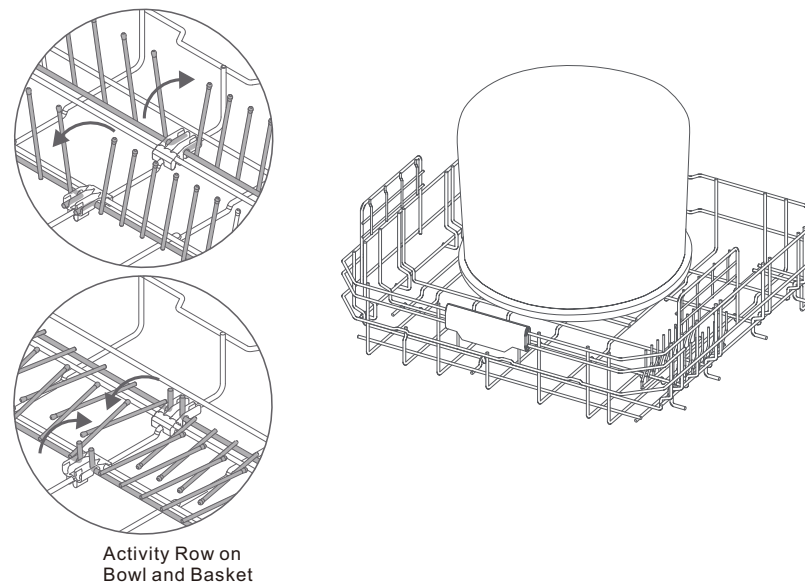
Long term uncleaned cookware is difficult to clean, please clean it multiple times.



The activity can flip the mechanism as shown in the diagram for operation

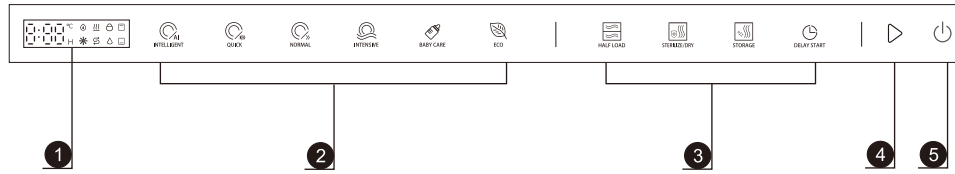
Rotate the movable wire to secure the buckle of the movable wire into the slot as shown in the figure, then the movable wire will change from a horizontal position to a vertical position.

Rotate the activity row according to the following diagram to adjust its position.



Product quick start

Control panel



- 1 Display panel
 - 2 Washing program
 - 3 Additional function
 - 4 Start
 - 5 Power supply
- | | | | |
|--|---------------------------------|--|----------------------------------|
| | Lack of dishwashing salt icon | | Child lock icon |
| | Rinse aid icon | | Upper wash icon |
| | Open door drying icon | | Lower wash icon |
| | Lack of dishwashing liquid icon | | Automatic liquid dispensing icon |

Quick start

1. Open the dishwasher door, and the machine will automatically turn on. The default display is the intelligent washing program, with the "INTELLIGENT" icon fully lit and the other icons half lit. After placing the tableware, if there is no button operation within 3 minutes, it will automatically shut down.



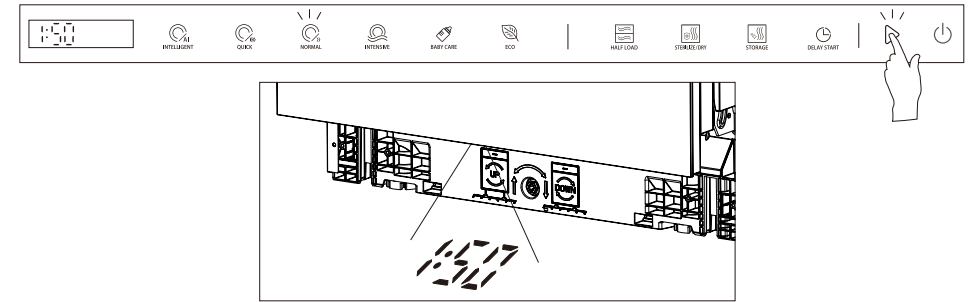
2. You can choose from intelligent, quick, normal, intensive, baby care, eco programs. Each time you press the corresponding button, the icon above the button will be fully lit, and the screen will display the corresponding time of the program. Users can choose the appropriate program for washing according to their needs.

Note: Except for the power button, all buttons have two states: fully lit and half lit.



Product quick start

3. After selecting the program, press the "▶" key and close the dishwasher door, the machine will automatically start running. At the same time, the corresponding program time will be projected on the ground and a countdown will begin. After the program ends, the projection light will automatically turn off and the machine will automatically shut down.



4. When the dishwasher is in operation and needs to pause, shut down, or reselect a program, you can simply open the dishwasher door and the machine will automatically pause. If you long press the "⏻" button at this time, the machine will shut down; After short pressing the "⏻" key again to turn on the device, you can select the desired program again.

Note: During the operation of the machine, when opening the door, be careful not to get too close to the machine to avoid skin burns caused by high temperature steam. When the machine is in a paused state and there is no button operation within 3 minutes, the dishwasher will automatically shut down.

5. After selecting the washing program, you can short press the "HALF LOAD" and "STORAGE" buttons as needed to select the corresponding additional functions. Once selected, the icon will be fully lit. Press the "▶" button to close the door and the program will automatically run.

Note: The halfload function is not applicable to intelligent and quick washing, but is applicable to all other washing programs.

Sterilize and Dry are separate programs and can't be used together with other washing programs. The storage function is not suitable for quick washing, but is applicable to all other washing programs. Different additional functions correspond to different washing times, and the screen display time may vary.



Introduce additional features

- HALF LOAD:** after selecting the washing program, this function can be used to achieve different states of upper layer washing and lower layer washing. The washing time in different states will vary and can be applied according to actual needs. When the icon is not lit, it indicates that both upper and lower layers are washed simultaneously. After selecting the washing program, briefly press the "HALF LOAD" button, and the screen will only display the upper layer washing icon "☐". Press the button again, and the screen will only display the lower layer washing icon "☐". Repeat this process in a loop, and users can choose according to their needs.
- Antibacterial storage:** After selecting the washing program, the antibacterial storage function can be turned on or off through this function. After turning it on, the tableware storage function can be realized. During the storage time period (default 72 hours), the dishwasher will automatically dry with hot air and have antibacterial and odorless properties. After this function is turned on, it will automatically run after the washing program ends, accompanied by intermittent fan operation, until it reaches the set time and automatically exits. Press the "STORAGE" button briefly once to increase the duration by 24 hours, with a set range of 72-168 hours. Long press the "STORAGE" button to exit this function.

Product quick start

Introduction of sterilization and drying

When users need it, they can choose a drying or sterilization program to dry or sterilize the washed tableware. Short press the "STERILIZE/DRY" button, and the screen will display the corresponding program time. Then press the "▶" button again, close the door, and the program will run automatically. If you press and hold the "STERILIZE/DRY" button for 3 seconds, the screen will display the independent drying time. Press the "▶" button to close the door, and the program will automatically run.

Note: The drying function is generally used for hand washed tableware or clean tableware that are damp. The sterilize function is suitable for clean, high-temperature resistant tableware, and can effectively sterilize tableware through high-temperature hot air.



Introduction of the child lock function

Activate Child Lock: Press and hold the "BABY CARE" and "ECO" buttons for 3 seconds at the same time to activate the child lock. The screen will display the child lock icon "⊗". After activating the child lock, all buttons cannot be operated.

Release child lock: When the child lock is on, press and hold the "BABY CARE" and "ECO" buttons for 3 seconds at the same time to release the child lock. The child lock icon "⊗" displayed on the screen will turn off, and the child lock will be released. All buttons can be operated.

Introduction of automatic door opening function

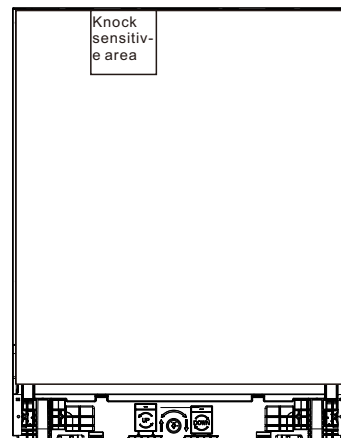
This machine has an automatic door opening function. Before the start or end of some programs, the door will automatically open, creating a small gap to better dry the tableware inside the machine and circulate the internal air. At the same time, the screen will display the door opening and drying icon "⏏". After the program ends, the door will automatically close.

Introduce the function of knock to open the door

This machine has a knock door opening function. When the machine is powered on and the door is closed, knock the front part of the control panel twice in a row can automatically open the door. After forcefully disengaging the door from the lock buckle, the door can be fully opened, and the top push rod will automatically retract. At this time, the program can be selected normally. Press the start button to close the door and the machine can run automatically.

Introduce knock to open door area and the knock

The box shown in the following figure is the sensitive area for knocking. For commonly used dishwasher hanging board materials in the market, the knocking force may vary depending on the material. The reference knocking force for different materials is: glass board < multi-layer board < solid wood board < particle board.



Detailed introduction of program

Detailed introduction of key functions

Button	Role	Detailed Introduction
	Power on/off	After shutting down, press the key briefly to turn on the device; When selecting a program, short press this key to shut down; When the program is paused, long press this key to achieve the shutdown function;
	Start	After selecting the washing program, press the key briefly to close the door, and the program will automatically run;
	Washing program	After powering up, short press this button to select the intelligent washing program. The button icon will be fully lit and the corresponding program time will be displayed;
	Washing program/ water hardness level setting	After turning on, short press this button to select the quick wash program. The button icon will light up and display the corresponding program time; Long press this button to set the water hardness level;
	Washing program/ rinse aid level setting	After turning on, short press this button to select the standard washing program, the button icon will be fully lit, and the corresponding program time will be displayed; Long press this button to set the brightness level of the disc agent;
	Washing program	After powering up, short press a washing program button to select the corresponding program, the button icon will be fully lit, and the screen will display the corresponding program time;
	Layered washing function/automatic liquid feeding function	After selecting the washing program, short press this button to separately clean the upper or lower tableware; Long press this button to set the automatic liquid dispensing function on and off;
	Sterilization/ drying function	After turning on, short press this button to select the independent sterilization function and achieve high-temperature sterilization of tableware; Long press this button to select the independent drying function, which allows for separate drying of clean tableware that has been hand washed or is damp;
	Storage function	After selecting the washing program, short press this button to achieve long-term storage and preservation of the washed tableware;
	Operation booking function	Can delay the execution of the washing program for 0-24 hours;

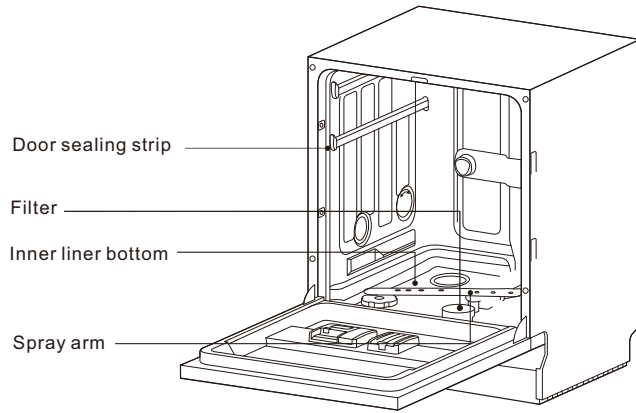
	Intelligent	Quick	Normal	Intensive	Baby care	ECO	Sterilize	Dry
Program description	Automatically adjust washing time and temperature based on the degree of water pollution	Used for daily use, mildly contaminated tableware	Used for daily use, moderate to slightly dirty tableware	Used for heavy oil greased and severely dirty tableware	Used for baby bottles with milk stains and other delicate tableware	Used for daily use tableware to save water and electricity	Used for high-temperature sterilization of tableware	Used for hand washed tableware or for drying wet tableware as humid weather
Washing process	Pre wash main wash rinse dry	Main wash rinse	Pre wash main wash rinse dry	Pre wash main wash rinse dry	Pre wash main wash rinse dry	Pre wash main wash rinse dry	Dry	Dry
Dishwashing powder quantity (pre wash/main wash)	10/25g	0/20g	10/25g	10/30g	10/25g	10/25g	/	/
Operation duration (H)	3:05	0:29	1:50	2:20	2:45	4:10	1:20	1:00
Rinse aid	✓	✓	✓	✓	✓	✓	/	/

Instructions for adding dishwashing powder: For example, 10g/25g means 10g is added to the dishwashing powder pre washing compartment or the outside of the dispenser, and 25g is added to the dishwashing powder main washing compartment of the dispenser.

Instructions for adding dishwashing blocks or dishwashing beads: It is recommended to place dishwashing blocks or dishwashing beads directly on a flat metal filter screen.

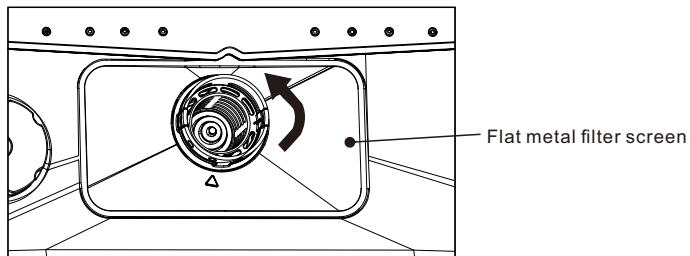
Cleaning and maintenance of filtration

1. To ensure the long-term good washing performance and effectiveness of the dishwasher, please regularly clean the filtration system and check whether the filter components and spray arms are blocked by residue.
2. Filter is a component used to separate water from food residue. It is recommended to remove the cup after each wash, pour out the food residue, and rinse the cup thoroughly under tap water. It is recommended to clean the entire filtering component once a week, using a soft bristled brush to clean the flat filter screen and micro filter screen.
3. Install the cleaned filters back into the dishwasher in order. If the filters are missing or not installed properly, it will affect the washing performance and may even damage the tableware.
4. The position of the door seal and the bottom of the inner container should be cleaned frequently.



Method for removing the embedded dishwasher filter:

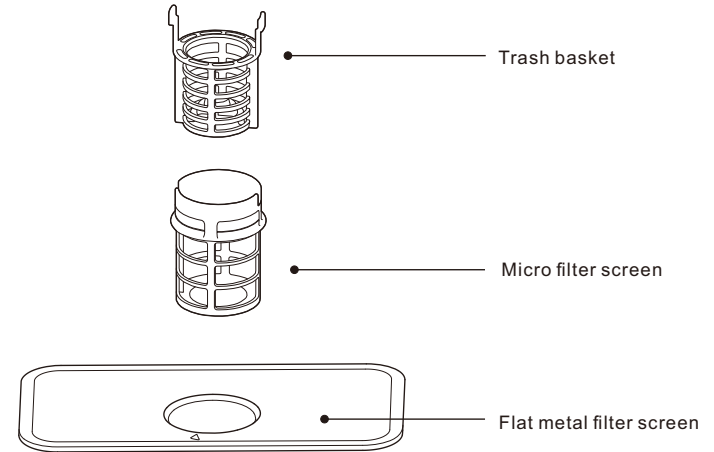
1. Rotate the micro filter counterclockwise.
2. Extract the micro filter and flat filter upwards.
3. Extract the cup upwards from the microfiltration filter.



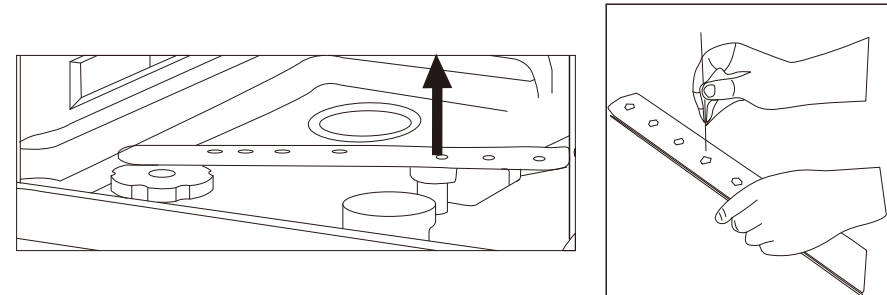
Note: If white scale is found on the machine bowl basket, spray arm, or inner wall during the use of the dishwasher, users can purchase acidic descaling agents from the market for cleaning. (For example: citric acid)

Cleaning and maintenance of filtration

The function of the filtration system is to prevent larger food residues or other objects from entering the washing pump. After multiple washes in the dishwasher, food residue may clog the filtration system. The filtration system of the dishwasher is composed of three layers of filters. Please follow the "Maintenance and Care" instructions to regularly clean the filter components.



It is recommended to clean and inspect the spray arm after 4-6 months of use to prevent small residues from blocking the spray hole. Sharp objects can be used to clean the spray hole.



Use upward force to remove the lower spray arm

Cleaning spray arm

Common faults and their solutions

If you encounter any abnormalities during use, please stop using the product, unplug the power cord, and check and confirm the following content. If necessary, please contact our company's after-sales service.

Common faults	Possible reasons	Solution
Dishwasher not powered on	The power cord is not connected.	Ensure that the power plug and socket are properly connected.
There is a collision sound inside the machine	The spray arm may get stuck by tableware.	Pause operation, open the door and check if the tableware interferes with the spray arm or if any small is protruding out of the bowl basket.
The tank has foam	Incorrect use of dishwashing powder.	It is prohibited to use "detergent", and special dishwashing powder is required. If there is foam, add 3L of clean water into the dishwasher manually, and then run the pre washing. After 30 seconds, turn off the switch to force the dishwasher
Dishware cannot be washed clean	The amount of dishwashing powder is not enough, Unreasonable placement	Add specialized dishwashing powder according to the need. Please refer to the detailed introduction for placing tableware too much or too tightly. Please refer to the tableware placement guide to regularly clean the filtration system to prevent blockage. Some difficult to clean tableware can be cleaned using a super strong washing program.
Poor drainage	The drainage pipe is tangled, Filter is clogged.	Check if the drainage pipe is tied and clean the filter to prevent poor drainage.
Dishwasher not getting water in	The inlet pipe is knotted, The inlet faucet is not turned on.	Check if the inlet pipe is tied and tidy it up. Open the inlet faucet or angle valve.
There are residual white sediment substances on the tableware	The hardness of the washing water is too high, the dishwasher water hardness program is not set correctly, Lack of dishwashing salt,	Add specialized salt according to the instructions to reduce the hardness of the water. The dishwasher water hardness program settings are incorrect. Please consult the local water company and reset the water hardness settings, Increase the water hardness level. Users can use acidic descaling agents to clean and remove scale.
Plastic tableware deformed	The washing temperature is too high.	Do not put ordinary heat-resistant plastic tableware in the dishwasher for cleaning.
There is a sound of impact on the inlet valve	Non machine malfunction.	It may be caused by the water pipe system of the building, but it does not affect its use.
Bowl and basket discoloration	The tableware has faded.	Check the tableware at home, and do not put dyed items in the dishwasher.
Metal tableware rusts	The cover of the water softener is not tightened, Not cleaned when adding salt.	Tighten the cover of the water softener to prevent salt from overflowing, Clean up promptly every time specialized salt is added to prevent rusting.

Common faults and their solutions

When the dishwasher malfunctions, the fault code displayed on the screen corresponds to the cause of the malfunction and the solution.

Fault code	Possible reasons	Solution
E 1 (Water shortage fault)	Detected a water shortage fault in the dishwasher.	Please check if the dishwasher water faucet is not fully turned on or in a water off state. After excluding these two points, if the dishwasher is still not operable, Please turn off the water and power sources and contact customer service.
E 2 (Heating fault)	Heating malfunction detected, dishwasher can't operate.	Please turn off the water and power sources and contact customer service.
E 3 (Washing water shortage fault)	Detected insufficient water in the dishwasher during the washing process.	Please check if there are any dishes placed facing upwards that have caused water to fill the dishes. If the dishwasher still cannot operate after removal, please turn off the water source and power, and contact customer service.
E 4 (Water temperature NTC fault)	Detected water temperature NTC fault, dishwasher cannot operate.	Please turn off the water and power sources and contact customer service.
E 5 (High water temperature fault)	Detected that the water temperature inside the dishwasher chamber exceeds 85 °C.	If the dishwasher malfunctions during operation, please turn off the water and power sources and contact customer service. If you have poured hot water into the dishwasher independently, please wait for the dishwasher to drain and then turn off the dishwasher (eliminate the fault) before reusing it.
E 6 (Overflow fault)	Detected overflow fault, dishwasher cannot operate.	Please turn off the water and power sources and contact customer service.
E 7 (Water ingress fault)	Detected that the dishwasher has been continuously receiving water (the inlet valve can't be closed properly), and the dishwasher can't operate.	Please turn off the water and power sources and contact customer service.
E 8 (Automatic door fault)	Detected automatic door fault, dishwasher cannot operate.	Please turn off the water and power sources and contact customer service.
E 9 (Motor operation fault)	Detected motor operation fault, dishwasher cannot operate.	Please turn off the water and power sources and contact customer service.
E 10 (Pump motor fault)	Detected pump motor failure, dishwasher cannot operate.	Please turn off the water and power sources and contact customer service.
E 11 (Overvoltage and undervoltage faults)	Detected that the mains voltage exceeds the operating range of the dishwasher.	Please check if the mains power is within the operating voltage range of the dishwasher.
E 12 (Drainage motor fault)	Detected drainage motor fault, dishwasher cannot operate.	Please turn off the water and power sources and contact customer service.
E 13 (Water distribution valve fault)	Detected Water distribution valve fault, dishwasher cannot operate.	Please turn off the water and power sources and contact customer service.
E d (Communication fault)	Detected abnormal communication between the dishwasher display board and the main control board, the dishwasher cannot operate.	Please wait for the signal to return to normal or contact customer service.
§ (Lack of dishwashing salt)	Lack of dishwashing salt.	Add dishwashing salt to the water softener and stir a few times with chopsticks.
✱ (Lack of rinse aid)	Lack of rinse aid.	Add rinse aid to the dispenser.
△ (Lack of dishwashing liquid)	Lack of dishwashing liquid.	Add dishwashing liquid to the automatic dispenser.

感谢您使用本产品

请在安装和使用本产品前仔细阅读使用说明书,并遵从说明书要求进行使用,本说明书的操作说明对于维持产品的良好工作状况十分重要。

请妥善保管好使用说明书;购机时请认真填写好产品保修卡,并妥善保管使用。

目录

1. 目 录.....	34
2. 告用户环境影响书.....	35
3. 安全警告事项.....	35
4. 装箱清单.....	36
5. 使用注意事项.....	37
6. 产品尺寸规格.....	38
7. 各部件名称.....	40
8. 电气原理图与木挂板简要说明.....	41
9. 产品技术参数.....	42
10. 安装注意事项.....	43
11. 产品安装指引.....	44
12. 产品使用指引.....	49
13. 碗篮使用指引.....	53
14. 产品快速入门.....	57
15. 功能程序详细介绍.....	60
16. 过滤系统清洁与保养.....	61
17. 常见故障及处理方法.....	63

说明书所用符号及意义:

 关于个人安全及如何避免损坏机器的重要信息

告用户环境影响书

保护环境，杜绝污染。本公司产品在使用过程中可能造成的环境影响，敬告如下：

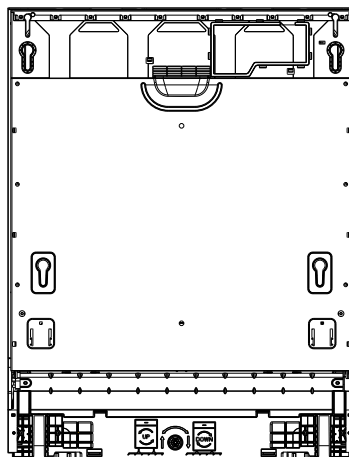
纸箱、塑料等可回收废物，使用后应扔到指定的分类垃圾桶。废旧电池等危险废弃物，乱扔会造成严重环境污染，应扔到相应的回收废弃物垃圾桶中。

⚠安全警告事项

- 禁止擅自更换电源线，或将电源线中途拼接，或者与其他电器并联使用，私自改线有可能导致漏电或引发火灾，洗碗机必须正确接地线，可以在出现故障时由地线将电流分流，可有有效的保护使用者免受触电伤害。
- 洗碗机必须由专业人员安装或拆除，擅自改装、维修可能导致电击、火灾、漏水等隐患。
- 请勿将洗碗机泡在水中或向洗碗机喷水，否则有短路或触电的危险。
- 请勿用187-242V以外的交流电，否则会导致火灾、触电。
- 请教育儿童不要单独使用与玩弄，否则易导致烫伤、触电与别的意外。
- 使用过程中出现异常现象（如烧焦气味）时，必须停止运行并切断电源。
- 洗碗机在运行过程中，请不要随意打开洗碗机的门，小心会有蒸汽或者热水飞溅，若一定要开门，请先将门打开一个缝隙，待机器停止运行后，再将门完全打开。
- 洗碗机安装时应远离热源，防止因温度过高导致机器无法正常工作。
- 请确保进水管、排水管的安装畅通，禁止折弯，防止管道堵塞导致机器无法正常工作。
- 摆放碗碟等餐具时需要注意不要干扰到喷淋臂，否则无法进行正常的洗涤。每次餐具洗涤完成后请及时清理滤渣篮中的食物残渣。
- 进水管不要反复拆卸，防止因安装不当或者其他原因导致的漏水隐患。
- 器具应使用新的软管组件连接到水源，旧的软管组件不应重复使用。
- 如果电源线损坏，为了避免危险，必须由供应商、其维修部或类似部门的专业人员更换。
- 洗碗机安装好后，若长时间不使用，必须关闭水龙头和拔掉电源插头。
- 门不应该一直处于打开的位置，因为这可能会导致器具翻倒危险。
- 清洁保养时，请务必戴上手套，防止由于部分内部金属结构件导致受伤情况发生。
- 机器在不插电时，必须关闭水源。
- 刀和其他锋利的用具一定要装在篮子里，并且尖端朝下或水平放置。
- 作为家用和类似用途器具使用时，例如：
 - 在商店，办公室和其他工作环境中的厨房使用；
 - 农庄；
 - 顾客在酒店、汽车旅馆和其他住宅类型的环境中使用；
 - 仅提供床位和早餐的快捷酒店环境。
- 器具不打算由存在肢体、感官或精神能力缺陷或缺乏使用经验和知识的人（包括儿童）使用，除非有负责他们安全的人对他们进行与器具使用有关的监督或指导。
- 应照顾好儿童，确保他们不玩耍本器具。

装箱清单

请根据清单检查包装箱内的配件是否齐全(产品型号：FZ-DW70)



洗碗机 × 1

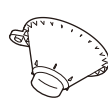
提示：

说明书中的产品、配件、用户界面等插图均为示意图，仅供参考。

由于产品的更新与升级，产品实物与示意图可能略有差异，请以实物为准。

图示产品与包装箱内配件为已经配置和安装有玻璃挂板的机型。

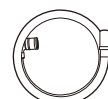
对没有配置挂板的机型，若用户需要自行购买和安装挂板，详见挂板包装内的挂板自行安装快速指引。



盐斗 × 1



进水管 × 1



排水管 × 1



排水管卡箍 × 1



安装螺钉 40mm × 6



大号玻璃挂板安装螺钉 × 2



大号木挂板安装螺钉 × 2



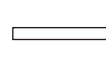
小号木挂板安装螺钉 × 2



踢脚板安装螺钉 12mm × 4



踢脚板支架 × 2



防蒸汽贴纸 × 1



快速使用指南 × 1



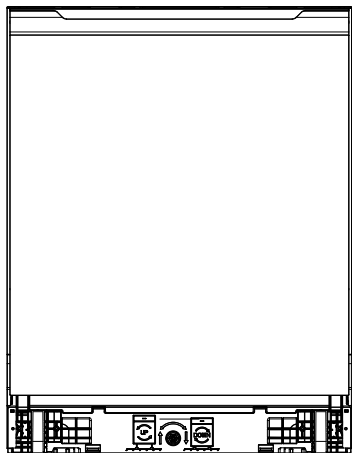
说明书 × 1



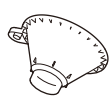
挂板自行安装快速指引 × 1

装箱清单

请根据清单检查包装箱内的配件是否齐全(产品型号: FZ-DW70 FGBK)



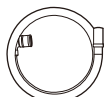
洗碗机 × 1



盐斗 × 1



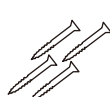
进水管 × 1



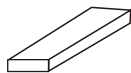
排水管 × 1



排水管卡箍 × 1



安装螺钉
40mm × 4



踢脚板粘接
组件 × 1



踢脚板安装螺
钉 12mm × 4



踢脚板
支架 × 2



防蒸汽
贴纸 × 1



快速使用
指南 × 1



说明书 × 1

提示:

说明书中的产品、配件、用户界面等插图均为示意图, 仅供参考。

由于产品的更新与升级, 产品实物与示意图可能略有差异, 请以实物为准。

图示产品与包装箱内配件为已经配置和安装有玻璃挂板的机型。

对没有配置挂板的机型, 若用户需要自行购买和安装挂板, 详见挂板包装内的挂板自行安装快速指引。

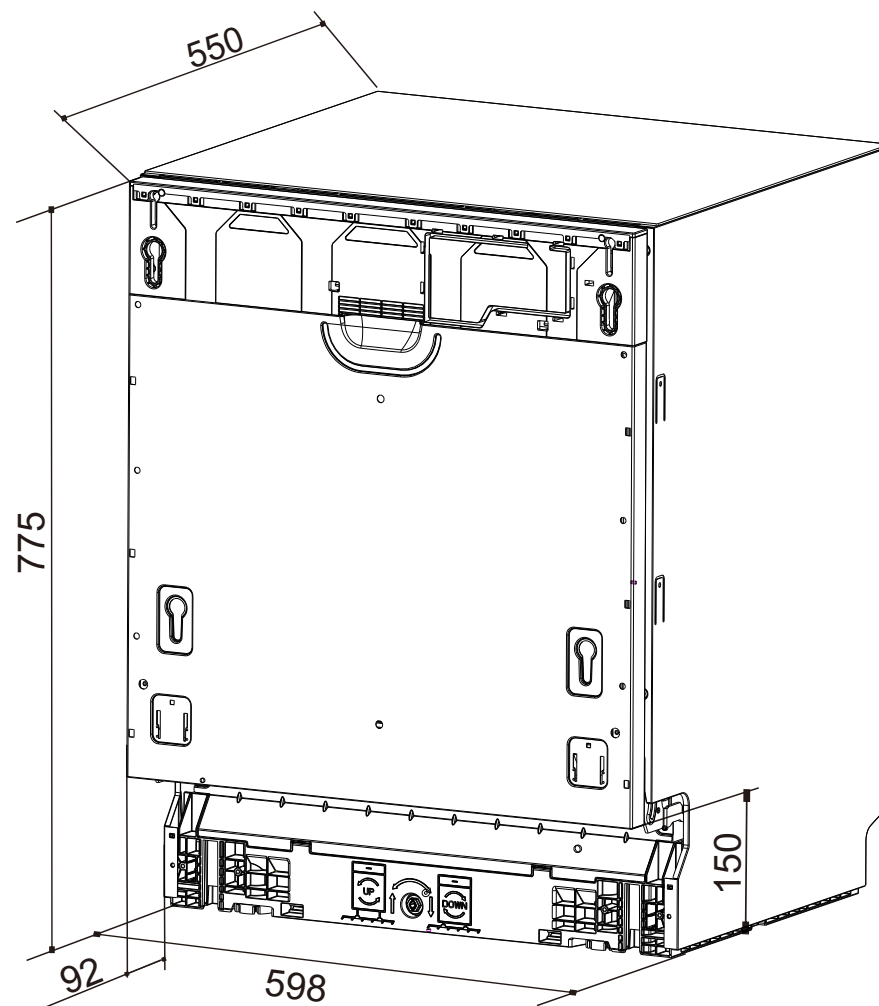
使用注意事项

1. 洗碗机在没有完全安装好之前请勿通电运行, 开机前检查水电是否畅通。
2. 软水器必须添加洗碗机专用盐, 不可用食用盐、工业盐、海盐代替。非专用盐会导致洗碗机内胆生锈, 机器不能正常使用。
3. 洗碗机需使用专用的洗碗粉和漂洗剂, 严禁用洗洁精、洗衣粉、肥皂液等代替。
4. 洗碗机专用的洗碗粉具有强碱性, 请放置在小孩够不到的地方, 误食将非常危险。

产品尺寸规格

(产品型号: FZ-DW70)

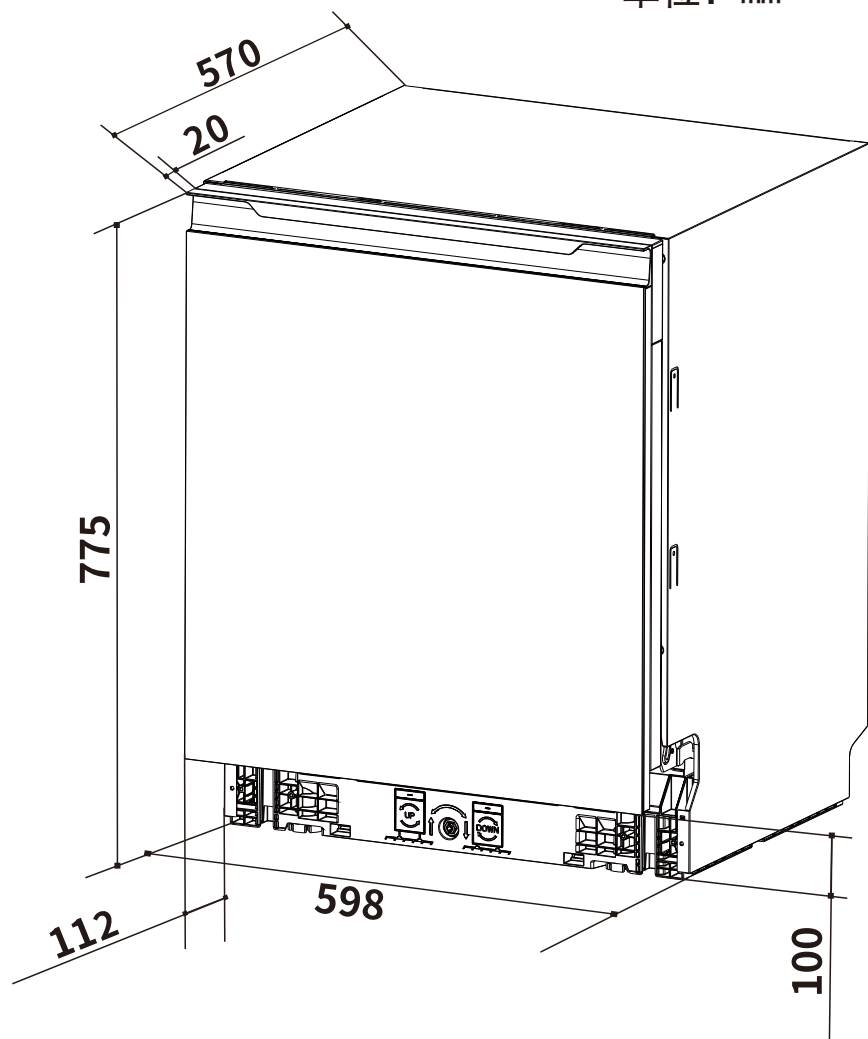
单位: mm



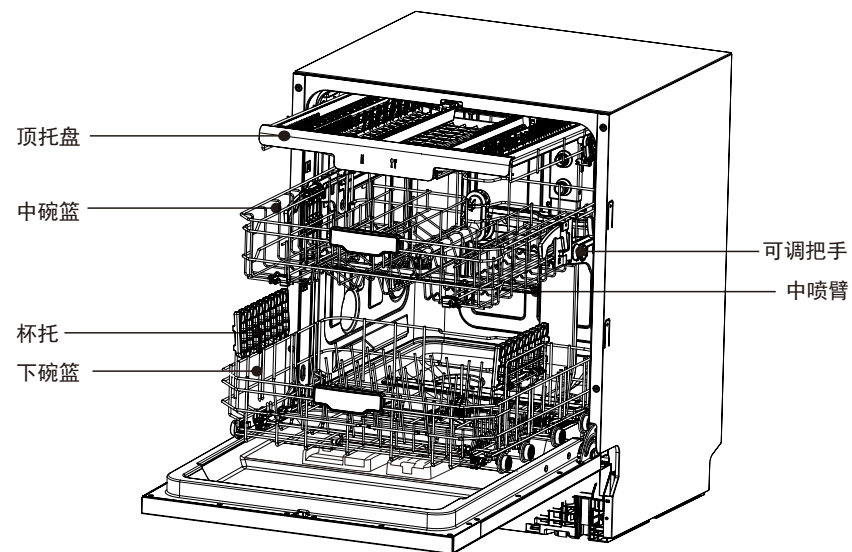
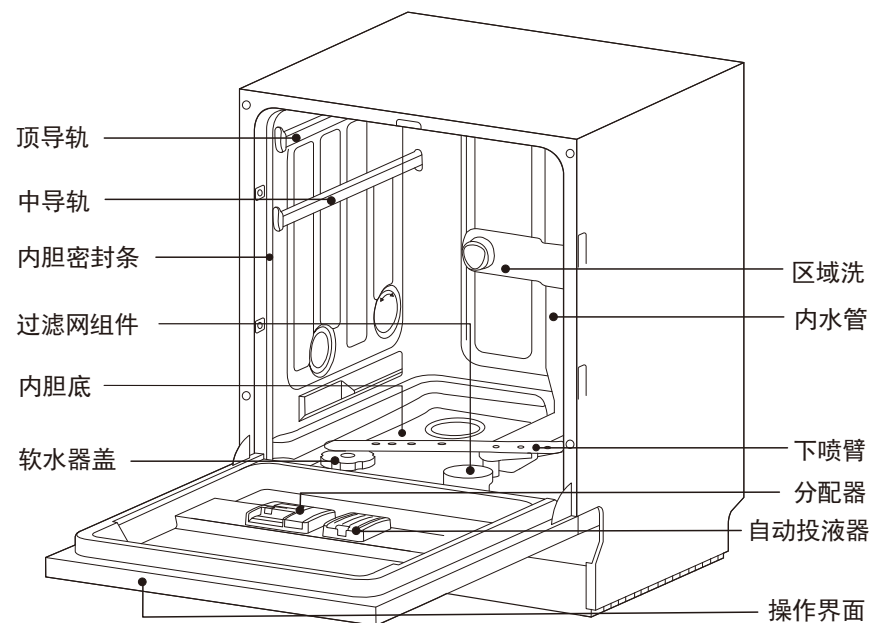
产品尺寸规格

(产品型号: FZ-DW70 FGBK)

单位: mm

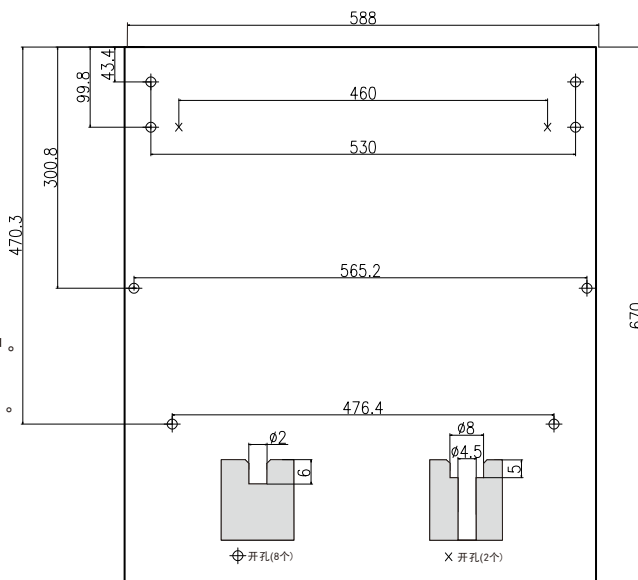


各部件名称

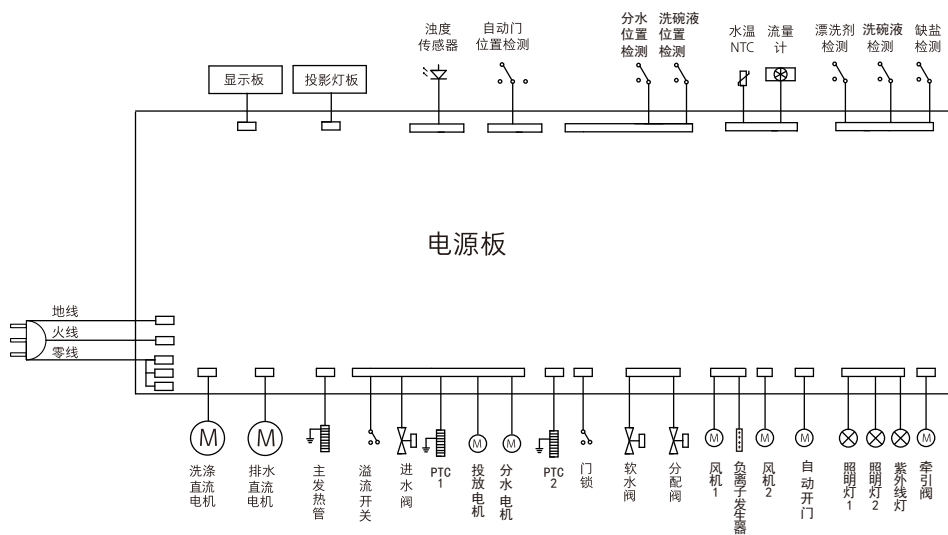


木挂板简要说明

1. FZ-DW70机型若需要安装木挂板(门板), 厂家建议木挂板尺寸为588*670, 客户可根据实际橱柜情况进行适当调整;
2. 门板可按下图所示处理。
3. 门把手孔位安装位置为建议尺寸, 实际尺寸取决于门板把手的实际情况。
4. 把手和其安装螺丝不包含在附件中。
5. 木挂板的详细安装方式与说明, 详见附件包内的挂板自行安装说明。



电气原理图



产品技术参数

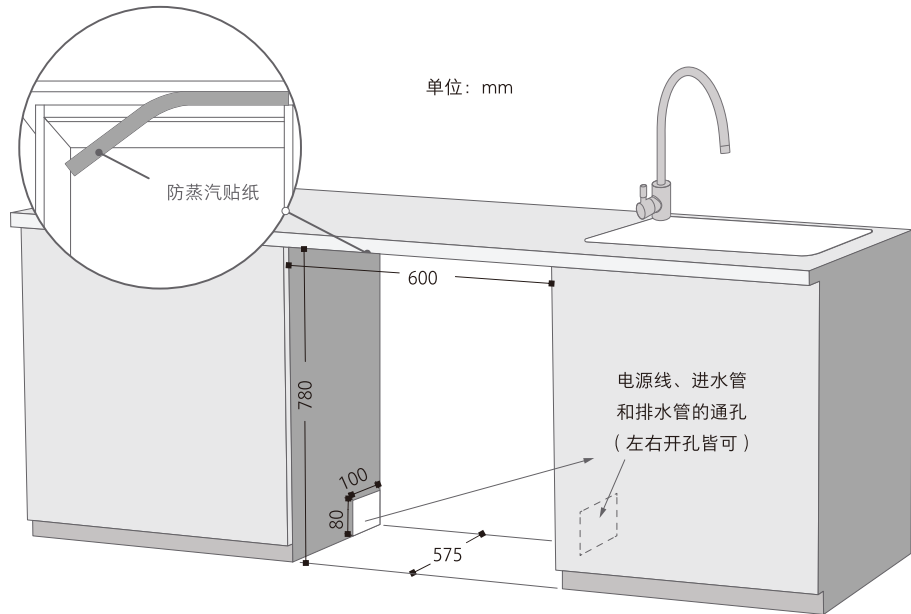
型号	FZ-DW70	FZ-DW70 FGBK
额定电压	220-240V~	220-240V~
额定频率	50Hz	50Hz
额定功率	1800W	1800W
洗涤方式	喷射式	喷射式
烘干方式	自动开门+双热风干燥+余热烘干	自动开门+双热风干燥+余热烘干
适用水压	0.04-1.0MPa	0.04-1.0MPa
防水等级	IPX1	IPX1
餐具装载容量	16套	16套
水耗	12.3 L(节能洗)	12.3 L(节能洗)
显示方式	数码管	数码管
控制方式	触摸控制	触摸控制
安装方式	嵌入式	嵌入式
紫外线灯	有	有
负离子	有	有
碗篮承载重量	顶托盘≤1.5kg 上碗篮≤7kg 下碗篮≤16kg	顶托盘≤1.5kg 上碗篮≤7kg 下碗篮≤16kg
产品尺寸 宽×高×深	598*775*550 mm	598*775*570 mm
包装尺寸 宽×高×深	725*927*715 mm	725*927*715 mm
产品净重	39.8kg	51.9kg

安装注意事项

1. 洗碗机应平稳安装在操作、保养方便且牢固的地方(不得倾斜安置)。
2. 严禁将洗碗机及电源插座安装在可能受潮或被水淋湿的地方。
3. 必须确认电源插座的接地极是否有效。
4. 搬运放置时应从携手孔或底部抬起, 轻搬轻放。
5. 与洗碗机相邻的设施和物体的表面必须是绝缘的。
6. 安装后分别检查进水连接处和排水连接处是否漏水。
7. 洗碗机安装好后, 必须确认洗碗机的门能够顺利打开。
8. 洗碗机的安装位置附近最好有进水管和排水槽, 台嵌式洗碗机最好安装在水槽旁边。

产品安装指引

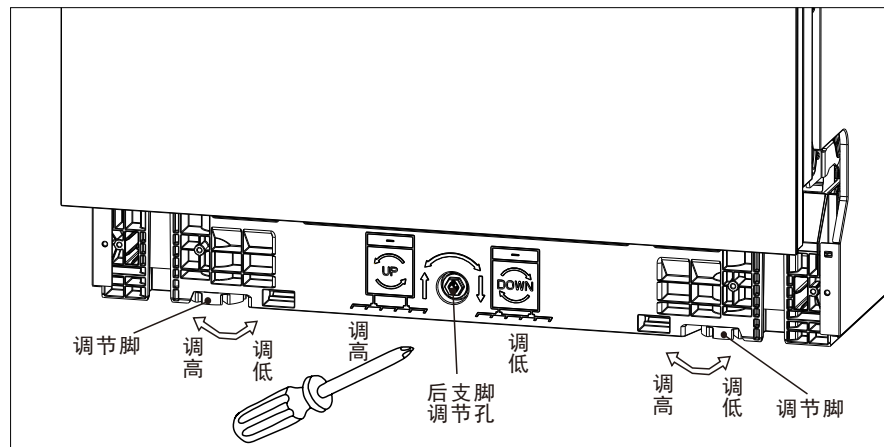
1. 洗碗机嵌入橱柜安装时, 橱柜建议最小开孔尺寸为宽600 × 高780 × 深575mm (见下图)。
2. 安装位置应靠近下水道、自来水源, 并配有电流为10A的三孔插座, 插座需要可靠接地, 并且装在与洗碗机相邻的橱柜里。
3. 进水压力应在0.04-1MPa 以内, 且进水水温不高于40℃。
4. 安装位置橱柜靠墙下方需要有100 × 80mm 大小的开孔, 供进水管、排水管和电源线通过(见下图)。
5. 按图示将防蒸汽贴纸粘贴于橱柜顶部内表面。
6. 橱柜高度不合适时, 调节洗碗机支脚。



产品安装指引

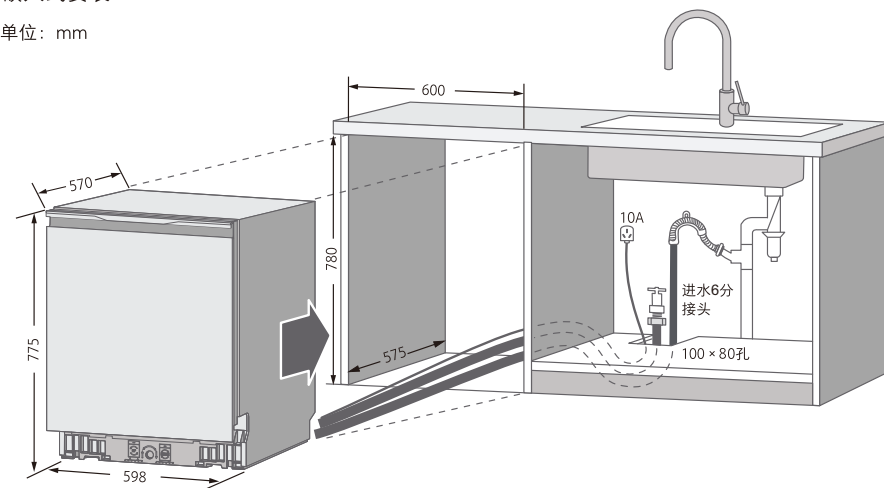
调节支脚的调整说明

1. 机器底部有3个调节支脚, 可以根据需求调整整机高度, 可调高度为0-40mm。
2. 机器底座的前面左右各有1个调节支脚, 可按下面图示方向手工拧动调节支脚, 以便调高或调低整机前面的高度。
3. 机器底座的后面有1个调节支脚, 需要将十字螺丝刀插入后支脚调节孔后, 按下面图示箭头方向拧动螺丝, 以便调高或调低整机后面的高度。



嵌入式安装

单位: mm



产品安装指引

进水管、排水管与洗碗机的连接

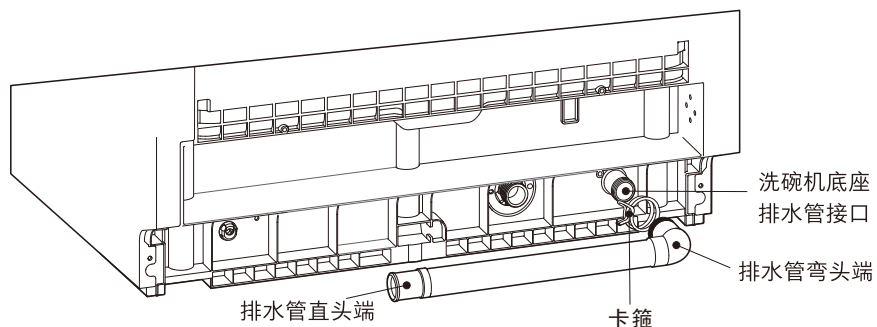
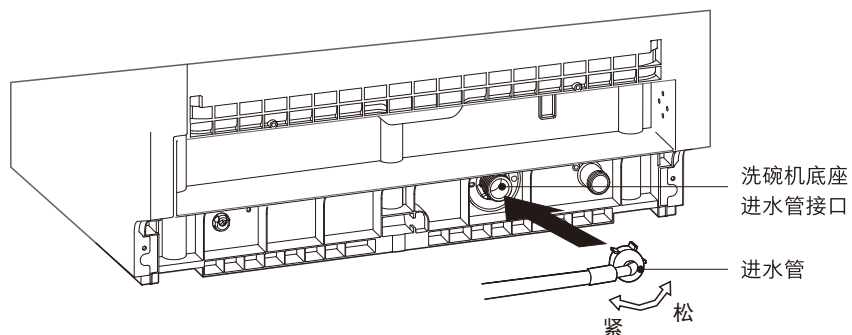
1. 拆去洗碗机外包装，取出配件，根据本说明书装箱清单，清点装箱附件，确保无遗漏。

提示：泡沫及塑料对儿童有潜在危险，请按分类扔到垃圾箱中。

2. 安装进水管前注意检查进水管六分接头密封圈、滤网是否有脱落。

3. 将进水管弯头端(六分接头)与洗碗机进水口连接，旋转拧紧。

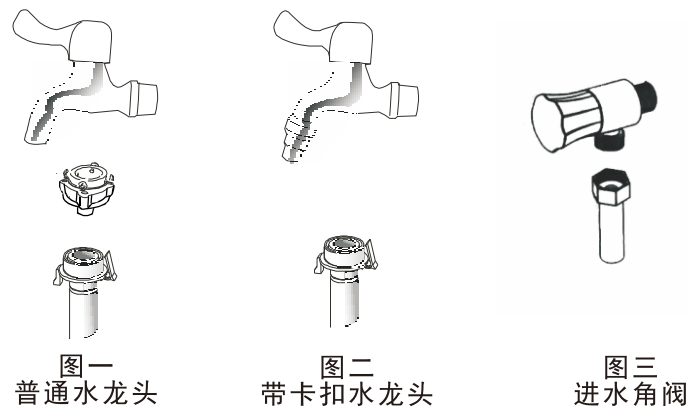
4. 将排水管弯头端与洗碗机底座排水口连接，并用卡箍卡紧。



进水管与水龙头的连接:

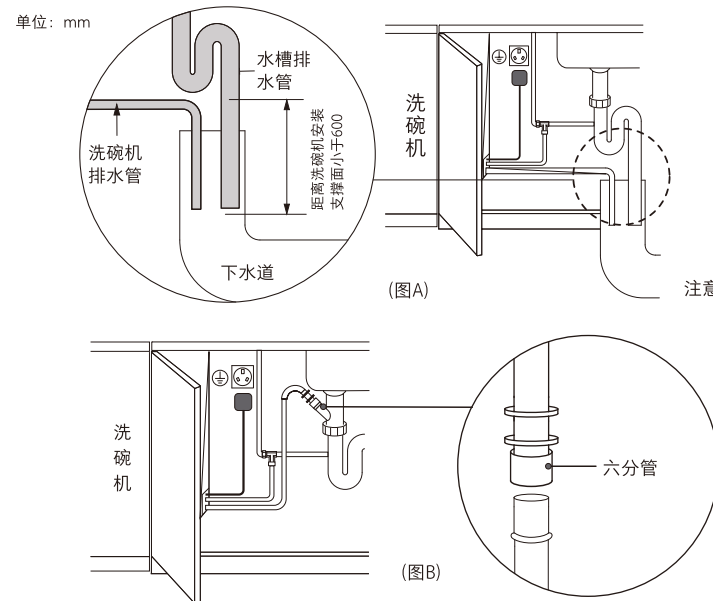
1. 普通水龙头(图一), 需要将转接头套入水龙头并紧固好螺钉, 然后将进水管与转接头套入接好。
2. 带卡扣的水龙头(图二), 可直接将进水管与水龙头接口套入接好。
3. 进水角阀(图三), 将进水管的6分接头与角阀连接, 旋转拧紧。
4. 厂家标配6分接头的进水管(用户自配角阀), 如采用前两种安装方式, 请自行购买配件。
5. 水龙头的连接方式与一般家用自动洗衣机水管连接方式相同。

产品安装指引



排水管出水口的连接

- 1 排水管直头端可插入直立式下水管道中, 如图A。
- 2 排水管直头端可接入水槽下水器的弯管接头上, 并固定妥当, 如图B。
- 3 安装前请确保排水管无折弯、挤压或凹陷现象。
- 4 洗碗机最好安装在靠近下水管的位置, 洗碗机排水管伸出长度约为1.4米, 如果离得远需要用户自行购买转接头和排水管, 且管的总长度不要超过4米, 否则会降低洗碗机的洗涤性能。

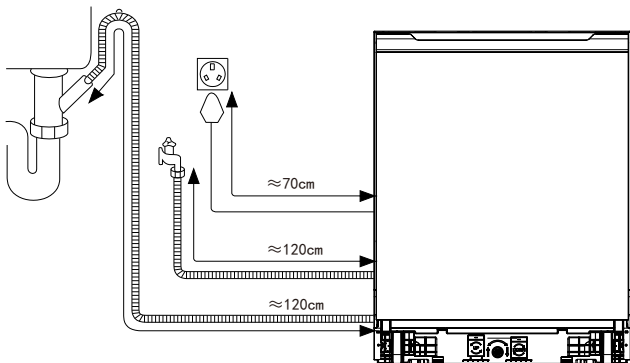


注意: 洗碗机排水管插入下水道一端需要可靠固定, 防止排水管脱出漏水。

产品安装指引

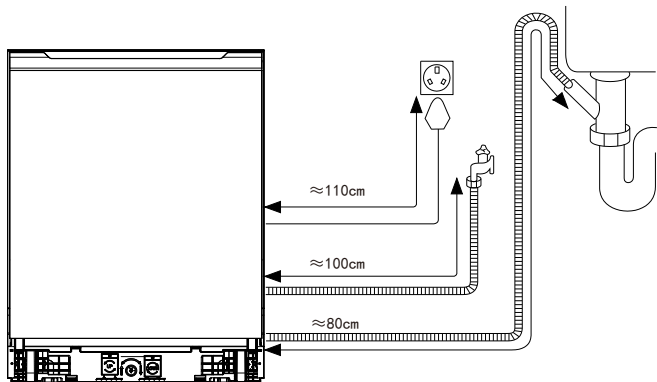
洗碗机水电连接的注意事项:

1. 进水管和排水管可以根据安装需要置于左侧或右侧。
2. 选择靠近上水及下水管路的地方。同时要靠近带有可靠接地的电源。



左侧连接示意图

3. 洗碗机安装水电时需要注意左右安装方向，尽可能靠近插座、进水角阀、下水器。

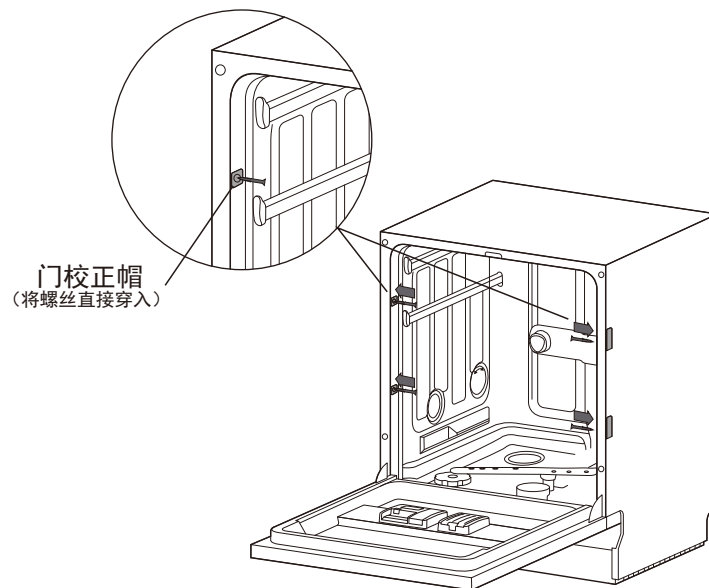


右侧连接示意图

产品安装指引

洗碗机的固定:

1. 嵌入式洗碗机平稳的放入预先开好孔的橱柜中，在安放到位后，打开洗碗机门，按下图指引，然后把螺钉紧固到橱柜的侧板上。

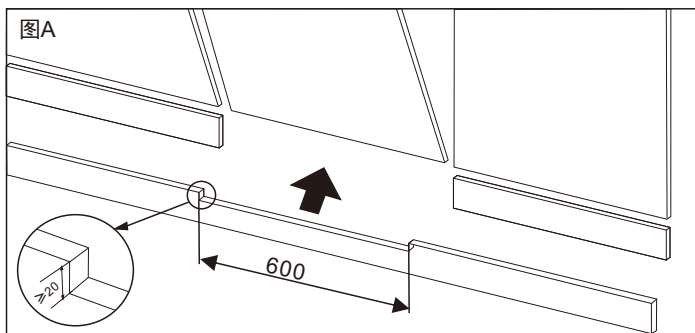
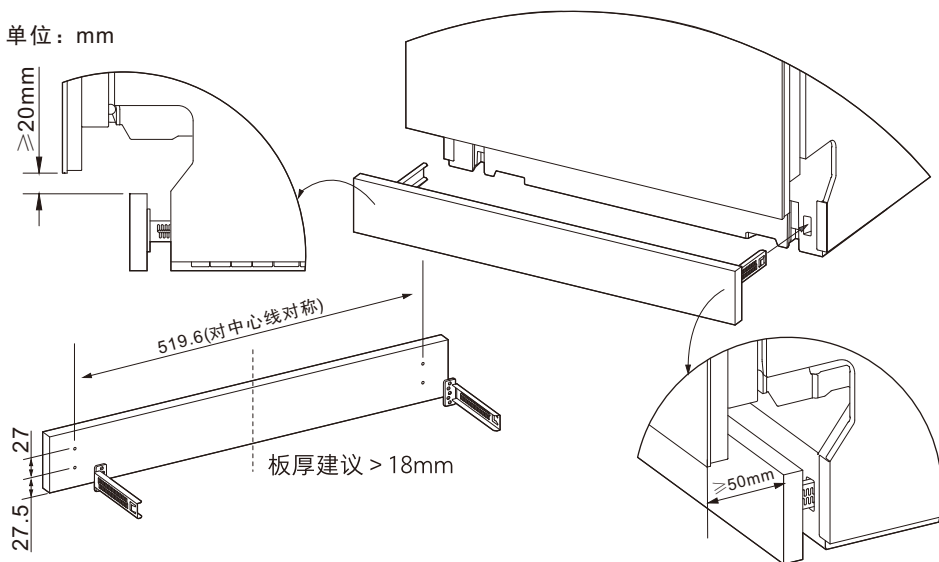


洗碗机安装后的检查:

1. 洗碗机是否安装平稳牢固。
2. 洗碗机的进水管与排水管各接头处是否连接好，有无漏水。
3. 电源插头是否插好。
4. 进水龙头是否开启。
5. 打开洗碗机的门，把上碗篮(装有上喷臂)、下碗篮、下喷臂安装到位，且手工转动喷臂顺畅，将里面剩余的配件都取出。
6. 洗碗机通电，选择任意洗涤程序后运行5-10分钟后无异常关机。
7. 洗碗机运行过程中，若有开门需要，人员需要离洗碗机稍微远一些，以免热的水汽烫伤皮肤。

产品使用指引

单位: mm



踢脚板高度与开孔尺寸高度对应表

开孔尺寸高度(mm)	780	790	800	810	820
踢脚板高度(mm)	80	90	100	110	120

注意:

1. 踢脚板顶部, 距离洗碗机门体底部不小于20mm。
2. 需满足开孔尺寸高度-踢脚板高度 ≥ 700 mm, 才能避免踢脚板妨碍洗碗机门体开关。
3. 为确保投影灯正常显示, 踢脚板装入后其正面距机器面板正面的距离需 ≥ 50 mm。
4. 若洗碗机踢脚板与橱柜踢脚板为一体, 可无需安装踢脚板支架固定。
5. 如果想门体下沿与橱柜门体平齐, 同时不影响门体开关, 建议机器下方的踢脚板相对其它位置踢脚板做低至少20mm, 如图A所示;

产品使用指引

洗碗机软水器的作用:

为了达到良好的洗碗效果, 洗碗机需要使用硬度较低的软水(石灰石含量低的水), 不然在洗涤后会在餐具和洗碗机内胆留下白色石灰质的痕迹。一般地区的自来水都需要进行软化, 也就是去除水中的石灰质成分。嵌入式洗碗机具有水软化装置, 当装入专用盐后可以进行水的软化。若当地的水质也可以不使用专用盐, 不会影响洗碗机的正常使用。不清楚当地自来水的硬度值, 请向当地自来水公司咨询。

软水器的设置:

1. 水硬度设定有6档调节功能, 出厂默认为H3。
2. 短按“ ⏻ ”键开机后, 在按“ ▷ ”键前, 长按“快速洗”键, 进入水硬度设置界面, 屏幕显示H3, 短按“快速洗”键一下, 屏幕显示H4, 反复按键后, 屏幕会循环显示H0-H5, 用户可以根据当地的水硬度值选择对应的档位, 设置好后, 可按其它按键, 退出设置界面。

备注: H0档表示不需要加软化盐, 同时不显示缺盐报警图标。



水硬度ppm	硬度档位
0-90	H0
100-200	H1
210-300	H2
310-400	H3
410-600	H4
610-800	H5

根据上表进行档位调节

亮碟剂档位的设定:

1. 亮碟剂设定有7档调节功能, 出厂默认为r5档。
2. 短按“ ⏻ ”键开机后, 在按“ ▷ ”键前, 长按“标准洗”键, 进入亮碟剂设置界面, 屏幕显示r5, 短按“标准洗”键一下, 屏幕显示r6, 反复按键后, 屏幕会循环显示r0-r6, 设置好后, 可按其它按键, 退出设置界面。

备注: r0档表示不需要加亮碟剂, 同时不显示缺亮碟剂报警图标。档位越高, 使用的亮碟剂就越多。



自动投液功能的开启与关闭: (该功能只适用于配置有自动投液器的机器)

1. 短按“ ⏻ ”键开机后, 在按“ ▷ ”键前, 长按“上下分层”键, 直到屏幕自动投液图标常亮, 表示自动投液功能开启; 再次长按“上下分层”键, 直到屏幕自动投液图标熄灭, 表示自动投液功能关闭; 可按其它按键或连续5秒没有按键操作后, 自动退出设置界面。

备注: 关闭自动投液功能, 不会自动投放洗碗液, 机器默认设置为关闭。

开启自动投液功能, 程序运行时会自动投放洗碗液。

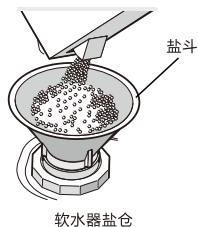
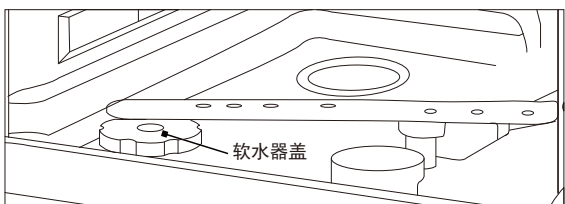


产品使用指引

专用盐的添加:

- 1、打开洗碗机的门,取出下碗篮,拧开(逆时针)软水器盖。
- 2、插入盐斗,加满洗碗机专用盐(禁止添加食用盐),一次添加满后可以多次使用。
- 3、加盐后,向软水器倒满清水,尽量不要溢出。
- 4、顺时针拧紧软水器盖,用湿抹布将周边擦拭干净,防止盐水将内胆腐蚀生锈。
- 5、当软水器中的盐不足时,显示屏会显示“S”,提醒您添加专用盐。
- 6、每次添加盐后建议洗碗机空载运行一次洗涤程序,冲刷一次内胆。

注意:使用非专用盐导致的洗碗机生锈及故障将不在保修范围。



洗碗粉的添加:

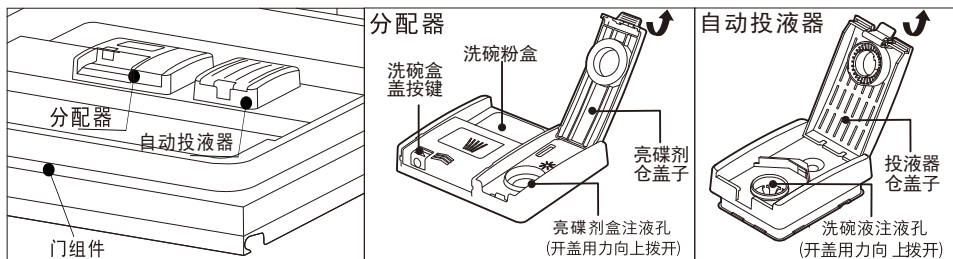
- 1、打开洗碗机门,在门内壳上可看见分配器,按一下分配器的洗碗盒盖按键,会自动弹开盒盖。
- 2、在洗碗粉仓中用量勺倒入粉状洗碗粉,然后盖上盖子。
- 3、用户可以根据餐具的多少和脏污程度选择多放或者少放些洗碗粉,洗碗粉仓内有参考线。
- 4、在平时不使用洗碗机的时候,请不要放置洗碗粉,容易导致洗碗粉受潮后不能充分溶解。

亮碟剂的添加:

- 1、当需要添加亮碟剂时显示屏会显示“*”,这时我们可以在分配器上添加亮碟剂。
- 2、将亮碟剂仓盖子向上翻起打开后,向注液孔加入亮碟剂,一次加满约有120ml,每次添加后可以多次使用。
- 3、添加完成后将盖子盖回并扣到位,将不小心溢出的亮碟剂擦拭干净。
- 4、分配器亮碟剂量设置按此说明书上分配器亮碟剂档位设定的方法进行设定。

洗碗液的添加:

- 1、打开洗碗机的门,在门内壳上可以看见自动投液器。
- 2、将投液器仓盖子向上翻起打开后,向注液孔加入洗碗液,一次加满约有300ml,每次添加后可以多次使用。
- 3、添加完成后,将盖子盖回并扣到位,将不小心溢出的洗碗液擦拭干净。



注意:

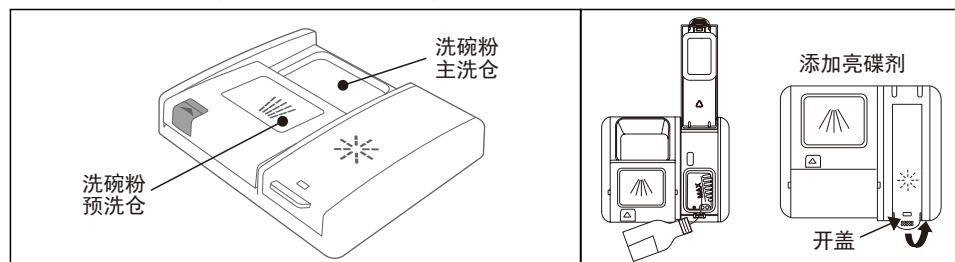
必须使用洗碗机专用的洗碗液,严禁使用非洗碗机专用的耗材,这可能会导致洗碗机无法正常工作。如果亮碟剂干燥效果不理想,可以调节亮碟剂档位。

产品使用指引

有较多水分残留,则亮碟剂往高档位调。

有白、蓝色附着物时,则亮碟剂往低档位调。

洗碗粉、洗碗块、洗碗凝珠、洗碗液这4种耗材对餐具都有较好的洗涤效果,在实际使用中,只能选择其中1种使用,不能将它们同时使用,以免导致洗碗机无法正常工作。



洗涤餐具的建议:

- 1、家中常用的餐具都可以在洗碗机中洗涤,但因为洗涤的水温、洗碗粉的添加,会对不同的材质的餐具产生不同影响。
- 2、建议选择制造商标明为可用洗碗机洗涤的玻璃和瓷器进行洗涤。
- 3、下表中的餐具和器皿不建议放入洗碗机中进行洗涤。

餐具	提示说明
竹木餐具	竹木制的碗碟、器皿及砧板有可能因高温洗涤后变形或开裂,不建议放入洗碗机;
塑料餐具	塑料制的碗碟、器皿有可能因高温洗涤后变形或开裂;耐热塑料餐具在洗涤时必须放置在上碗篮内;
小口瓶	不可以放入洗碗机,由于口径过小,在洗碗机内无法洗涤干净;
贵金属餐具	金、银、铜、锡、铝制类餐具洗涤后表面光洁度会降低或变黑,不建议用洗碗机洗涤;
铸铁锅具	容易生锈的铁质锅具不建议放入洗碗机洗涤;
抹布	抹布、百洁布不可以放入洗碗机内洗涤,会导致洗碗机故障;

餐具摆放前的注意事项:

- 1、碗碟在准备放入洗碗机碗篮时,请把大残渣清理掉,以免影响洗涤效果。
- 2、餐具摆放时,避免餐具从碗篮底部伸出,以免阻挡喷淋臂的转动,影响洗碗机正常工作。
- 3、请按餐具摆放指引摆放餐具,会保证洗涤效果。
- 4、在摆放深口器皿时,开口朝下,避免容器积水。
- 5、刀具在摆放时请将尖锐朝下摆放避免误伤用户。
- 6、不要将过小的物品放入洗碗机中清洗,避免堵死下水管。
- 7、不要把过高的杯子放在碗篮的角落处,避免抽拉时掉落。
- 8、在推拉碗篮时注意不要让锋利的器具割伤门封条,避免洗碗机出现漏水的故障。
- 9、粘锅的锅具、烤盘、常年使用的茶杯、隔夜放置风干的餐具等难于清洗的物件,请根据餐具的清洁难易程度选择强力洗连续洗涤2次或以上。如果仍清洗不干净,请使用其他清洗工具去除顽渍。



倒掉大的残渣示意图

碗篮使用指引

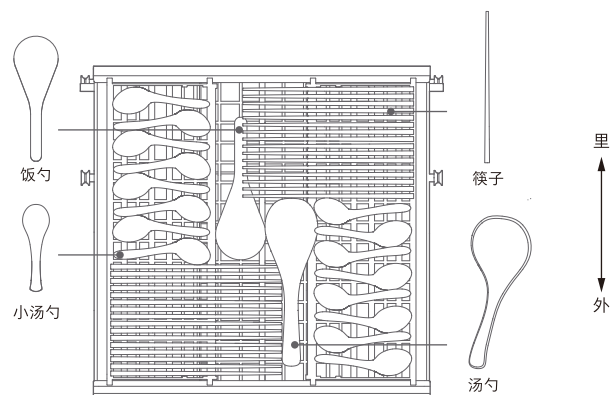
顶托盘餐具的摆放

顶托盘主要摆放筷子、饭勺、汤勺、小汤勺。

按图示位置和方式正确摆放。注意摆放避免重叠，不整齐不影响洗涤。

筷子摆放细口端需朝内，粗口端需朝外，

勺筷摆放好后，确保不会碰到喷淋臂。



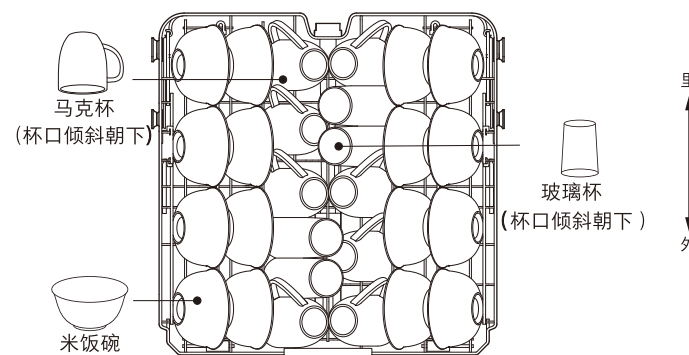
碗篮使用指引

上碗篮餐具的摆放

上碗篮主要摆放米饭碗、马克杯、玻璃杯。

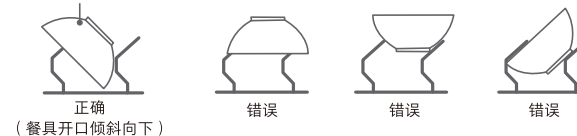
按图示位置和方式正确摆放。

碗碟摆放好后，确保转动喷淋臂不会碰到碗碟或杯子。



倾斜角度保证餐具底部水能流走

餐具正确摆放方式和错误摆放示例



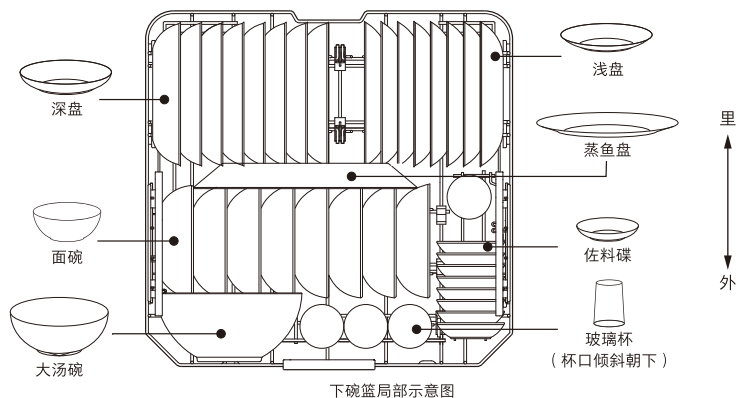
碗篮使用指引

下碗篮餐具的摆放

下碗篮主要摆放深盘、浅盘、蒸鱼盘、大汤碗、面碗、佐料碟、玻璃杯等餐具。

按图示位置和方式正确摆放。

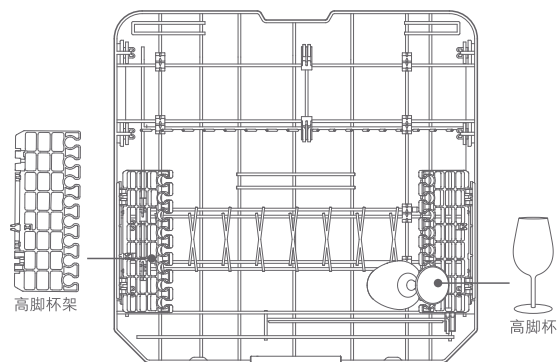
碗碟摆放好后，确保转动喷淋臂不会碰到碗碟或筷子。



高脚杯等餐具的摆放

将高脚杯架翻转后，可以放置高脚杯、红酒杯等餐具。

按图纸位置和方式正确摆放。



碗篮使用指引

上碗篮升降把手调节示意图

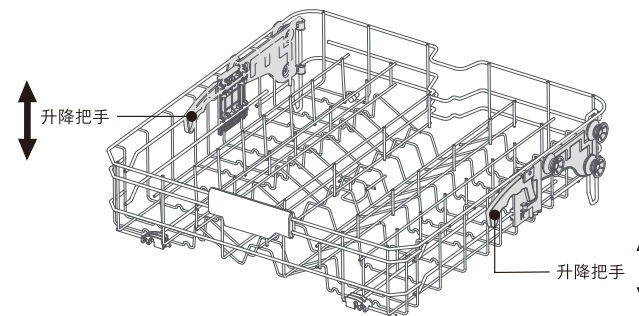
如果上下碗篮之间高度不足时，请抬高上碗篮，握住碗篮两侧向上提拉，将碗篮卡住高位即可；

需要调低碗篮时，握住上碗篮同时扣动左右两侧升降把手，放低碗篮即可。

上下碗篮摆放用的活动排是活动可放倒的，可根据实际情况灵活使用翻转结构。

如清洗锅具，饭锅、炒锅等容器请保证开口朝下。

长期不清洗的锅具难于清洗，请多次清洗。

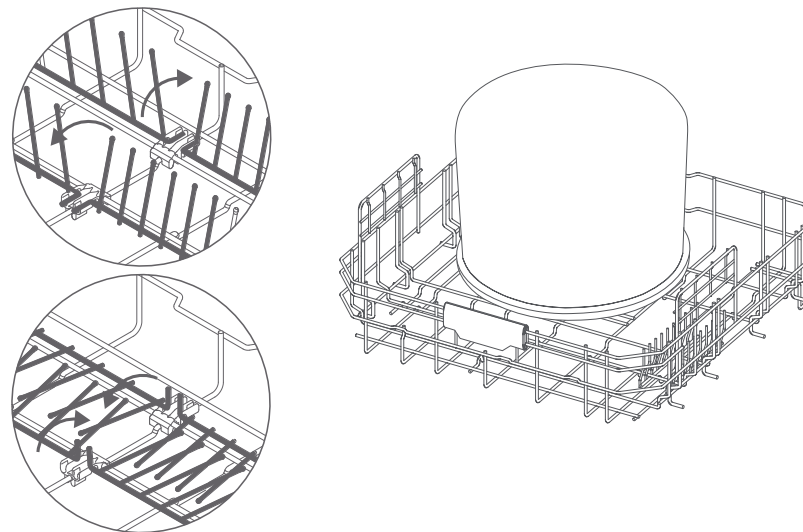


活动翻转机构如示意图操作

一、转活动排铁线使活动排卡卡入下图中卡槽固定位，活动排由水平位置变成竖直状态。

二、下图旋转活动排，可以调整活动排的位置。

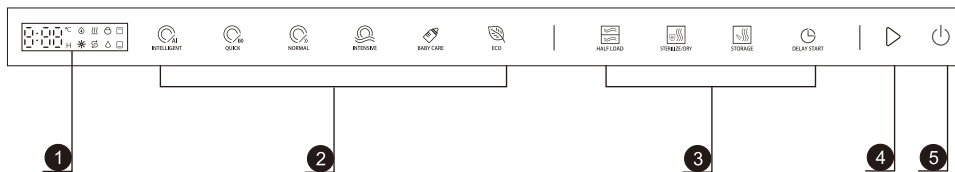
活
旋
按



碗篮活动排

产品快速入门

控制面板



- | | |
|-----------|-----------|
| ① 显示屏 | ④ 开始 |
| ② 洗涤程序 | ⑤ 电源 |
| ③ 附加功能 | 8:00 数码显示 |
| ☞ 缺洗碗盐图标 | 🔒 童锁图标 |
| ✳️ 缺亮碟剂图标 | ☐ 上层洗图标 |
| ☰ 开门烘干图标 | ☐ 下层洗图标 |
| △ 缺洗碗液图标 | 🕒 自动投液图标 |

快速入门

- 1、将洗碗机门打开，机器会自动开机，默认显示为智能洗程序，“智能洗”图标全亮，其余图标半亮，同时屏幕显示智能洗的程序时间，摆放好餐具后，若3分钟内没有按键操作，则自动关机。



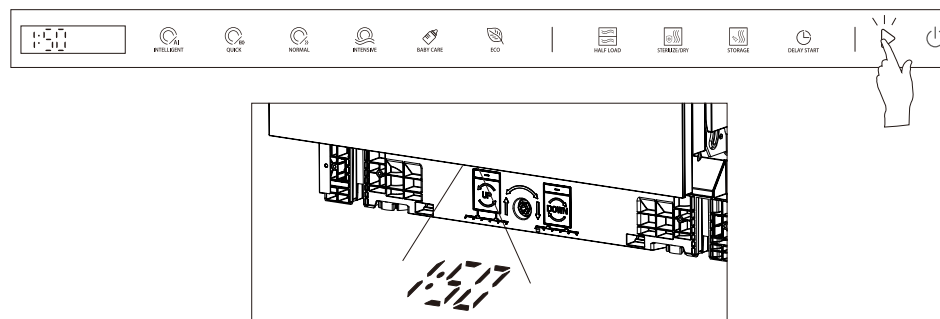
- 2、可以选择智能洗、快速洗、标准洗、强力洗、宝护洗、节能洗这些洗涤程序，每按一次对应按键，按键上方对应的图标会全亮，同时屏幕会显示相应程序对应的时间，用户可以根据需求选择合适的程序进行洗涤。

备注：除电源键外所有按键都有全亮、半亮两种状态。



产品快速入门

- 3、当选择好程序后，按一下“▶”键，并将洗碗机门关闭后，机器才会自动开始运行，同时地面上会投影相应的程序时间，并开始倒计时，程序结束后，投影灯自动熄灭，机器也会自动关机。



- 4、当洗碗机在运行状态下，需要暂停、关机或重新选择程序，可以直接将洗碗机门拉开，机器就会自动暂停，若此时长按“⏻”键，机器会关机；再次短按“⏻”键开机后，可以重新选择所需程序。

备注：在机器运行过程中，开门时，注意人员不要机器太近，以免高温蒸汽烫伤皮肤。机器在暂停状态下，3分钟内无按键操作，洗碗机自动关机。

- 5、在选择好洗涤程序后，可以按需要短按“上下分层”、“抑菌存储”这2个按键来选择对应的附加功能，选中后，图标会全亮，按下“▶”键，将门关闭后，程序就会自动运行。

备注：上下分层功能对智能洗、快速洗不适用，其余洗涤程序都适用。
独立除菌、独立烘干为单独的的程序，不能与其余洗涤程序一起使用。
抑菌存储功能对快速洗不适用，其余洗涤程序都适用。
不同的附加功能，对应不同的洗涤时间，屏幕显示的时间可能会变动。



附加功能介绍：

- 1、上下分层：选择洗涤程序后，可通过选择此功能实现上层洗、下层洗不同状态，不同状态下的洗涤时间会有所不同，可根据实际需求适用，图标不点亮时，表示上下层同时洗。选择洗涤程序后，短按一下“上下分层”键，屏幕只显示上层洗图标“☐”，再按一下该键，屏幕只显示下层洗图标“☐”，按此顺序循环显示，用户可以按需求选择。
- 2、抑菌存储：选择洗涤程序后，可通过此功能开启或关闭抑菌存储功能，开启后可实现餐具保管功能，在存储时间周期内（默认72小时），洗碗机会自动热风烘干、抑菌净味。该功能开启后，在洗涤程序结束后会自动运行，并伴有间歇性的风机工作，直到达到设定时间后自动退出。每短按1次“抑菌存储”键，增加24小时，设定范围72-168小时。长按“抑菌存储”键，可退出该功能。

产品快速入门

独立除菌、独立烘干程序介绍

当用户有需要时,可以选择烘干或除菌程序对干净的餐具进行烘干或除菌,短按一下"独立除菌"键,屏幕会显示相应的程序时间,再按"▷"键,将门关闭后,程序自动运行。

若长按"独立除菌"键3秒,屏幕会显示独立烘干的时间,按"▷"键,将门关闭后,程序自动运行。

备注:独立烘干功能一般用于手洗后的餐具或者受潮后的干净餐具。

独立除菌功能适用于干净的,耐高温的餐具,通过高温热风,对餐具进行强效除菌。



童锁功能介绍:

开启童锁:同时长按"宝护洗"和"节能洗"键3秒,开启童锁,屏幕显示童锁图标"⊖",童锁开启后,所有按键不可操作。

解除童锁:童锁开启状态下,同时长按"宝护洗"和"节能洗"键3秒,可解除童锁,屏幕显示的童锁图标"⊖"熄灭,童锁解除,所有按键都可操作。

自动开门功能介绍:

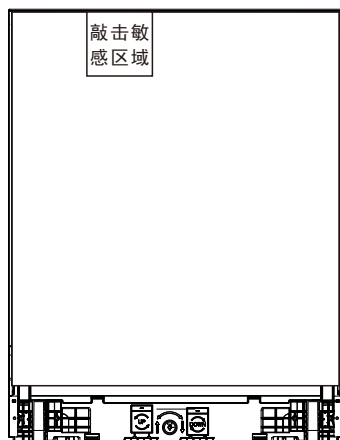
本机有自动开门功能,在部分程序开始或结束前会自动将门打开一些缝隙,对机器内部的餐具进行更好的干燥和内部空气的流通,同时屏幕会显示开门烘干图标"☼",程序结束后,门会自动关闭。

敲击开门功能介绍:

本机有敲击开门功能,在机器通电关门状态下,连续两次敲击控制面板正面部分,可以实现自动将门打开,用力将门从锁扣中脱开后,就可将门完全打开,顶部推杆会自动缩回,此时可正常选择程序,按启动键后,将门关闭,机器就可自动运行。

敲击开门区域与敲击力度:

下图所示方框内是敲击敏感区域,对于市场上常用的洗碗机挂板材质,不同材质的敲击力度会有所不同,不同材质参考敲击力度:玻璃板<多层板<实木板<颗粒板。



功能程序详细介绍

功能按键详细介绍

按键	作用	详细介绍
	开机/关机	关机后,短按该键可以开机;程序选择时,短按该键可以关机;程序暂停时,长按该键,可以实现关机功能;
	程序启动	选择好洗涤程序后,短按该键,将门关闭后,程序会自动运行;
	洗涤程序	开机后,短按此键,可选择智能洗程序,按键图标全亮,并显示相应的程序时间;
	洗涤程序/ 水硬度档位设定	开机后,短按此键,可选择快速洗程序,按键图标全亮,并显示相应的程序时间;长按此键,可进行水硬度档位的设定;
	洗涤程序/ 亮碟剂档位设定	开机后,短按此键可选择标准洗程序,按键图标全亮,并显示相应的程序时间;长按此键,可进行亮碟剂档位的设定;
	洗涤程序	开机后,短按某个洗涤程序按键可以选择对应程序,按键图标会全亮,屏幕会显示相应的程序时间;
	分层洗功能/ 自动投液器设定	选择好洗涤程序后,短按此键,可以实现单独对上层或下层餐具的清洗;长按此键,可设定自动投液功能的开启与关闭;
	除菌/烘干功能	开机后,短按此键,可以选择独立除菌功能,实现对餐具的高温除菌;长按此键,可以选择独立烘干功能,对手洗后或受潮后的干净餐具的单独烘干;
	存储功能	选择好洗涤程序后,短按此键,可以实现对洗涤后餐具的长时间存储和保管;
	预约功能	可以对实现洗涤程序的延后运行,时间0-24小时;

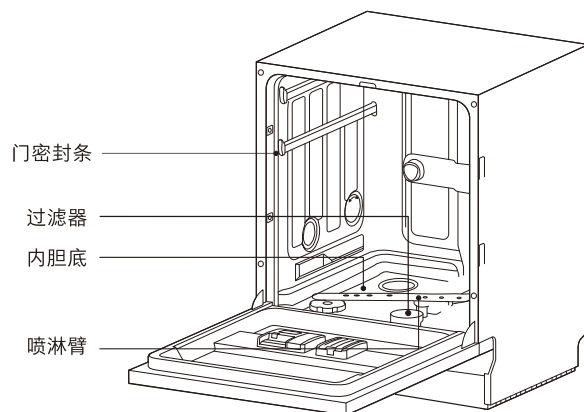
	智能洗	快速洗	标准洗	强力洗	宝护洗	节能洗	独立除菌	独立烘干
程序描述	根据水的油污程度自动调整洗涤时间与温度	用于日常轻度污染餐具	用于日常中度稍脏餐具	用于重油污重度的餐具	用于奶瓶奶渍等宝类餐具	用于日常使用餐具更加省水省电	用于对餐具的高温杀菌	用于手洗餐具或潮湿天气时对餐具的烘干
洗涤过程	预洗 主洗 漂洗 干燥	主洗 漂洗	预洗 主洗 漂洗 干燥	预洗 主洗 漂洗 干燥	预洗 主洗 漂洗 干燥	预洗 主洗 漂洗 干燥	干燥	干燥
洗碗粉量 (预洗/主洗)	10/25g	0/20g	10/25g	10/30g	10/25g	10/25g	/	/
运行时间 (H)	3:05	0:29	1:50	2:20	2:45	4:10	1:20	1:00
亮碟剂	√	√	√	√	√	√	/	/

洗碗粉添加方式说明:例如,10g/25g,表示10g加到分配器洗碗粉预洗仓或分配器外侧,25g加到分配器的洗碗粉主洗仓。

洗碗块或洗碗凝珠添加方式说明:洗碗块或洗碗凝珠建议直接放到平面金属过滤网上。

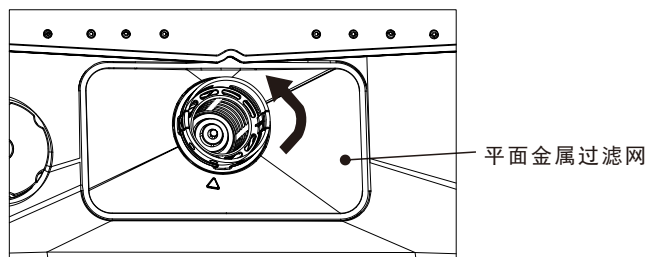
过滤系统清洁和保养

1. 为了保证洗碗机长期保持良好的洗涤性能和效果，请定期清洗过滤系统，并检查过滤器组件和喷淋臂是否被残渣堵塞。
2. 过滤器是用于将水与食物残渣相分离的组件。建议每次洗涤结束后将提杯取出，把食物残渣倒出，并将提杯放到自来水下冲洗干净。整个过滤组件建议每个星期清洗一次，可用软毛刷清洗平面过滤网、微过滤网。
3. 清洗好的过滤器按顺序装回到洗碗机，如过滤器漏装或者没有装好将会影响洗涤性能，甚至可能损坏餐具。
4. 门密封条和内胆底的位置要经常擦洗。



嵌入式洗碗机过滤器取出方法：

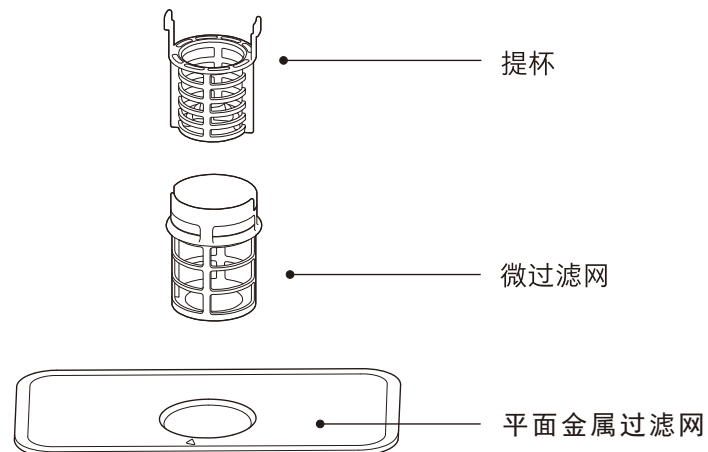
- 1、逆时针旋转微过滤网。
- 2、向上提取出微过滤网和平面过滤网。
- 3、在微过滤网中向上提取出提杯。



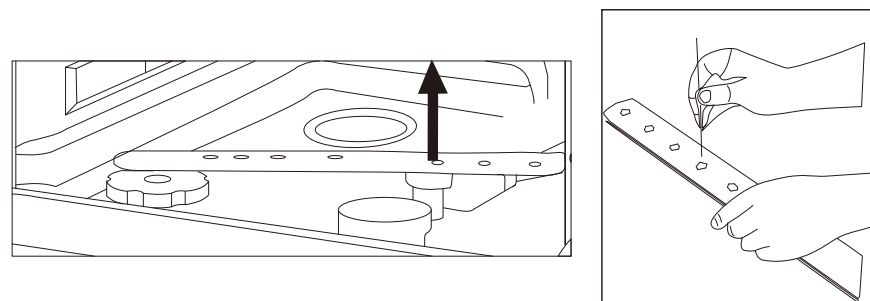
备注：若在洗碗机使用过程中，发现机器碗篮、喷淋臂、内壁上有白色的水垢，用户可自行采购市面上的酸性除垢剂进行清洁。（比如：柠檬酸）

过滤系统清洁和保养

过滤系统的作用是阻止较大的食物残渣或其他物体进入洗涤泵。洗碗机多次洗涤后食物残渣可能会堵塞过滤系统，洗碗机的过滤系统由上图三级过滤器组成。请按“维护与保养”操作指引，定期清洗过滤器组件。



喷淋臂在使用4-6个月的时候建议清洁检查，防止一些细小的残渣堵塞喷淋孔，可用尖的物品清洁喷淋孔。



向上用力将下喷臂取下

清洁喷淋臂

常见故障及处理方法

如你在使用中发生异常，请停止使用，拔掉电源线插头，并检查确认以下内容。
有必要时请于我们公司售后服务中心联系

常见故障	可能原因	解决对策
洗碗机不通电	没有接通电源线。	确保电源插头与插座正确连接好。
机器内有撞击声	喷嘴可能被餐具卡住。	暂停运行，打开门检查餐具是否干涉喷嘴或者有小物件掉出碗篮。
内胆有泡沫	洗碗粉使用错误。	禁止使用“洗洁精”，需使用专用洗碗粉，如有泡沫需手动往洗碗机中加入3L清水，然后运行预洗，30秒后关闭开关，让洗碗机强制排水，可反复操作，直至泡沫清除干净
餐具洗不干净	洗碗粉用量不够，餐具摆放不合理，过滤器堵塞，洗涤程序不适用。	按需求增加专用的洗碗粉，可参考详细介绍餐具摆放过多过密，请参考餐具摆放指引经常清洁过滤系统，防止堵塞。部分难清洁餐具可选用超强洗程序来清洗。
排水不顺畅	排水管打结，过滤器堵塞。	检查排水管是否打结，并梳理好清洗过滤器，防止排水不顺畅。
洗碗机不进水	进水管打结，进水龙头未开。	检查进水管是否打结，并梳理好打开进水龙头或者角阀。
餐具上有残留白色沉淀物质	洗涤用的水硬度偏高，洗碗机水硬度程序设置不对，缺少洗碗盐	按指引添加专用盐，降低水的硬度，洗碗机水硬度程序设置不对，请咨询当地自来水公司后，重新进行水硬度的设置，提高水硬度的档位，用户可使用酸性除垢剂进行清洗除垢。
塑料餐具变形	洗涤温度过高。	普通不耐热的塑料餐具不要放入洗碗机清洗。
进水阀有撞击声	非机器故障。	可能是楼房的水管系统导致，不影响使用。
碗篮变色	餐具掉色。	检查家中的餐具，染色类的不要放入洗碗机。
金属餐具生锈	软水器盖子没有拧紧，添加盐时没有清洁。	将软水器盖子拧紧，防止盐溢出，每次添加专用盐时，及时清洁干净，防止生锈。

常见故障及处理方法

洗碗机出现故障时，屏幕显示的故障代码对应的故障原因和解决方法。

故障代码	可能原因	解决对策
E 1 (缺水故障)	检测到洗碗机缺水故障。	请用户检查洗碗机进水水龙头是否没有完全打开或者处于停水状态。排除这两点后洗碗机仍然不能运行，请关闭水源与电源，并联系客服。
E 2 (加热故障)	检测到加热故障，洗碗机不能运行。	请关闭水源与电源，并联系客服。
E 3 (洗涤缺水故障)	检测到洗碗机洗涤过程中水量不足。	请用户检查是否有碗碟放置朝上导致碗碟装水，排除后洗碗机仍然不能运行，请关闭水源与电源，并联系客服。
E 4 (水温NTC故障)	检测到水温NTC故障，洗碗机不能运行。	请关闭水源与电源，并联系客服。
E 5 (高温故障)	检测到洗碗机腔体内水温超过85℃。	如果是洗碗机运行中出现故障，请关闭水源与电源，并联系客服。如果是用户自主倒热水进洗碗机，请等待洗碗机排完水后关闭洗碗机(消除故障)，再重新使用。
E 6 (溢水故障)	检测到溢水故障，洗碗机不能运行。	请关闭水源与电源，并联系客服。
E 7 (进水故障)	检测到洗碗机一直在进水(进水阀不能正常关闭)，洗碗机不能运行。	请关闭水源与电源，并联系客服。
E 8 (自动门故障)	检测到自动门故障，洗碗机不能运行。	请关闭水源与电源，并联系客服。
E 9 (电机通信故障)	检测到电机通信故障，洗碗机不能运行。	请关闭水源与电源，并联系客服。
E 10 (水泵电机故障)	检测到水泵电机故障，洗碗机不能运行。	请关闭水源与电源，并联系客服。
E 11 (过欠压故障)	检测到市电电压超过洗碗机工作区间值。	请检查市电是否在洗碗机工作电压范围之内。
E 12 (排水电机故障)	检测到排水电机故障，洗碗机不能运行。	请关闭水源与电源，并联系客服。
E 13 (分水器故障)	检测到分水器故障，洗碗机不能运行。	请关闭水源与电源，并联系客服。
E d (通信故障)	检测到洗碗机显示板与主控板通信异常，洗碗机不能运行。	请等待信号恢复正常或联系客服。
S (缺少洗碗盐)	缺少洗碗盐。	往软水器中添加洗碗盐，用筷子搅拌几下。
* (缺少亮碟剂)	缺少亮碟剂。	往分配器中添加亮碟剂。
△ (缺少洗碗液)	缺少洗碗液。	往自动投液器中添加洗碗液。