



Installation Manual

安装手册

Recycling Unit for FR-SC Series

FR-SC 系列专用 循环系统装置

This product is the indoor circulation unit for FR-SC series cooker hood.
To ensure proper installation, please read this manual and the Installation/
Operation manual supplied with the cooker hood before beginning installation.


本产品是 FR-SC 系列专用的循环系统装置。
安装时请同时参阅本说明书以及吸油烟机的安装及操作手册，以确保正确安装。

Safety Precautions / 安全注意事项

To ensure proper installation, please read the precautions on pages 2~4 of the Installation/
Operation manual supplied with the cooker hood.

安装时请仔细阅读吸油烟机的安装及操作手册第 2-4 页上记载的注意事项。

Accessories / 附件

	Truss screw(M4×10)	4 pcs.
	桁架螺丝 (M4×10)	4 个

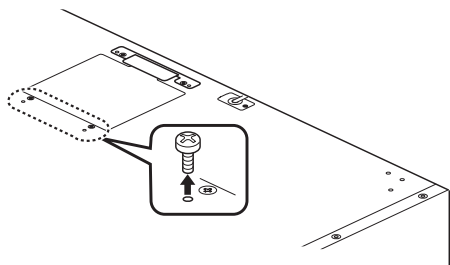
Installing Recycling Unit / 循环系统装置的安装

- 1** Follow procedures written in Steps 1~5 of "Cooker Hood Installation" on pages 10~11 of the Installation/Operation manual supplied with the cooker hood.

按照吸油烟机的安装及操作手册第 10-11 页“安装吸油烟机”中记述的 1-5 步骤进行操作。

- 2** Unscrew the two screws located on the exhaust port of the upper portion of the main unit. (Do not use removed screws.)

拧下位于主机上部排气口的两个螺丝。
(不要使用拆下的螺丝。)



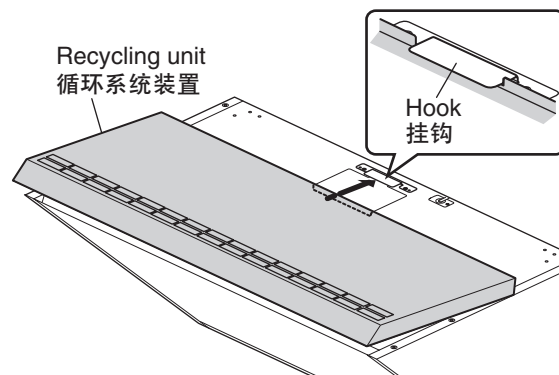
- 3** Attach recycling unit to the main unit.
安装主机循环系统装置。

- 1) Load the recycling unit onto the upper surface of the main unit facing the direction in the illustration, and then align the left and right sides.

按照图示方向将主机循环系统装置加载到主机上表面，然后左右对齐。

- 2) While slightly holding up the front of the recycling unit, insert the main body hook into the insertion slot located on the back side of the recycling unit.

稍微抬起主机循环系统装置的前端，将主机机身挂钩插入位于循环系统装置背面的槽内。

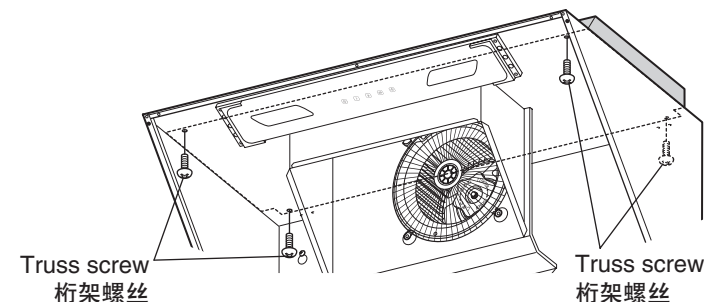


- 4** Using the holes (four locations) inside the main unit at the positions indicated by the illustration below, affix the recycling unit to the main unit with the truss screws provided.

按照下面插图所示，使用提供的桁架螺丝通过主机内部的孔（四个位置）固定好循环系统装置。

* If the holes do not line up, please move the recycling unit slightly to make small adjustments.

* 如果孔未对齐，请稍微调整循环系统装置。



- 5** To complete installation, follow the instructions after Step 6 on page 11 in the Installation/Operation manual supplied with the cooker hood.

按照吸油烟机的安装及操作手册第 11 页中的 6 步骤以后的顺序操作，完成安装作业。