

-FUJIOH-

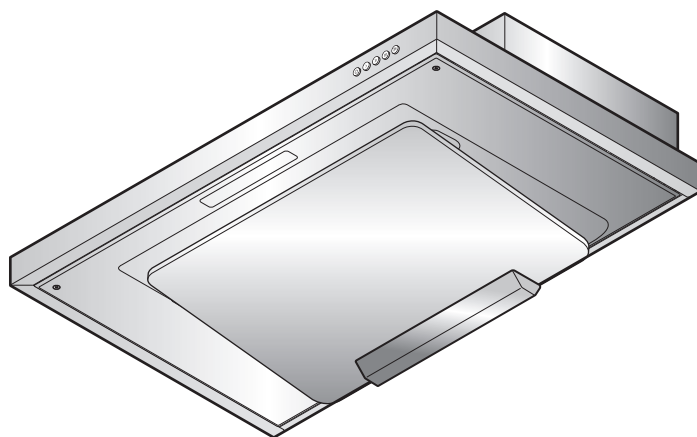
Cooker Hood

MADE IN
JAPAN
日本製

FR-FS2270/90VP
(Ventilating type)

FR-FS2290RP
(Recycling type)

Installation/Operation Manual



English page 1~20

简体中文 21 ~ 40 页

繁體中文 41 ~ 60 頁

TABLE OF CONTENTS

■ Safety Precautions.....2~4	Operation checking 14
Precautions on use 4	■ Maintenance 14~18
■ Preparation.....5, 6	Precautions for maintenance..... 15
Name of parts5	Detaching/Attaching of parts
Switch6	to be cleaned 15~17
■ Installation.....7~14	Cleaning..... 18
Preparation and checking	■ Other Information..... 18, 19
before installation..... 7, 8	Specifications 18
Preparation before installation... 9, 10	Circuit diagram 19
Cooker hood installation 10~13	Service and warranty 19
Reattaching the removed parts... 13, 14	

To the sales shop/installer:
after installation, please
provide this manual to the
user without fail.

Thank you very much for purchasing our cooker hood.

**Please read this manual thoroughly before installing/operating
the cooker hood.**

Keep this manual properly for future reference after reading.

1F02 2881



Safety Precautions

- Read the following safety precautions before installation and operation, and use the cooker hood properly and securely.
- These safety precautions are for correct operation of the product, preventing any harm or damage to yourself or others. These safety precautions are classified into 2 categories (“WARNING” and “CAUTION”) depending on their hazard and severity. Please pay attention and strictly observe these safety precautions as they are crucial to safety.













WARNING

Alerts possible risk of **serious injury**, if not observed.

CAUTION

Alerts possible risk of **injury** or **physical damage**, if not observed.

WARNING

- | | | |
|---|--|---|
|  | Less than 4 burners | ● The cooker hood is intended to be installed over a hob with up to four hob elements or burners. |
|  | Disassembly, repair, or modification prohibition | ● Never attempt to disassemble, repair or modify.
Always seek help from a qualified technician. Otherwise, there may be fire, electric shock or abnormal conditions. |
|  | Prohibition on use | ● Do not use in regions where the power voltage exceeds 220V/230V/240V AC.
Otherwise, there may be fire hazards or electric shock. |
|  | Caution during assembly | ● Electric wiring shall be carried out properly by professional technician or personnel.
Incorrect wiring may cause electric leakage or fire hazards. |
|  | Caution during installation | ● Installation work should be performed by a minimum of 2 persons.
The weight of the cooker hood is about 15kg (FR-FS2270VP), 17kg (FR-FS2290VP), 18kg (FR-FS2290RP). |
|  | Caution during installation | ● Breakers shall be incorporated in the fixed wiring to ensure all-pole disconnection from the main power source. |
|  | Disconnection of the power plug | ● Be sure to disconnect the power plug from the outlet, or switch off the breaker during maintenance. Also, never handle the power plug or breaker with wet hands.
Otherwise, there may be electric shock or physical injury. |
|  | Dust removal | ● The power plug shall be cleaned regularly to prevent dust accumulation.
Otherwise, there may be fire hazards or electric shock. |
|  | Water spraying prohibition | ● Never spray water on any electric parts.
Otherwise, there may be fire hazards or electric shock. |
|  | Operation prohibition | ● In case of a gas leak, do not switch on the cooker hood.
Otherwise, it may result in a gas explosion. |
|  | Attention to ventilation | ● The cooker hood shall be installed at a place with sufficient ventilation.
When using a natural exhaust type stove, poor ventilation may result in carbon monoxide poisoning. |
|  | Strict implementation | ● The air shall not be discharged into hot flues that are used for discharging fumes generated from burning gas or other fuels (not applicable to cooker hoods that can discharge the air back into the room). |

WARNING



Attention to adjustment

- **Always perform exhaust adjustments.**



Supervision requirement

- **The product is not intended for use by persons (including children) with reduced physical, sensory or mental capabilities, or lack of experience or knowledge, unless they are under the supervision or guidance of a specially assigned person who is responsible for their safety.**

Children require extra supervision. Do not let children play with the product.



Attention to ventilation

- **Ensure that there is sufficient ventilation in the room when using the cooker hood with multiple appliances burning gas or other fuels.**



Cleaning frequency

- **Cleaning that is not carried out in accordance to safety precautions may result in a fire hazard.**



BBQ prohibition

- **Never barbecue under the cooker hood.**

CAUTION



Caution during installation

- **Install the product in a stable location.**

Otherwise, the cooker hood may detach and cause injury or damage.



Disconnection of the plug by holding the power plug

- **When disconnecting the power, hold the power plug itself instead of the power cord.**

Otherwise, it may result in the damage of the power cord, as well as fire hazards or electric shock.



Disconnection of the plug

- **Be sure to disconnect the power plug from the outlet, or switch off the breaker when the cooker hood is idle for a long run.**

Otherwise, it may result in the deterioration of the insulation property, as well as fire hazards or electric shock.



Prohibition on use

- **Never use the product in a wet place such as bath room (Exhaust fans should be used in a bath room).**

Otherwise, it may result in fire hazards or machine failure.



Caution during assembly

- **Component parts removed while repairing shall be securely assembled.**

Otherwise, there may be injury or damage caused by detaching of the parts or cooker hood itself.



Caution during assembly

- **Ensure that electric wiring is laid out safely according to the related standard or regulations.**

Incorrect wiring may result in fire or electrical shock.



Contact prohibition

- **Never touch the filter or parts around it while cooking.**

Otherwise, it may result in the detachment of the filter or parts, and even burns or injury.



Contact prohibition

- **During operation, never insert fingers or other objects into the cooker hood.**

Otherwise, it may result in the machine failure or physical injury.



Operation prohibition

- **Switch off the cooker hood immediately if the pan catches fire.**

Otherwise, the cooker hood will fuel the fire and create a dangerous situation.



Caution during installation

- **The distance between the topmost part of cooking appliance and the lowest part of cooker hood, when it is located exactly over the cooking appliance, shall be 650mm to 850mm. If greater distance is specified in the cooking appliance manual, it must be taken into account.**

CAUTION



Prohibition
on object
placing

- **Never put anything on the cooker hood.**
Otherwise, it may result in fire hazards, machine failure or injury due to detachment.



Using gloves

- **Always wear gloves during maintenance.**
Otherwise, the user may be injured by sharp edges or corners.



Replacement
of damaged
power cord

- **If the power cord is damaged, request for a replacement from the manufacturer, its service agent or similarly qualified persons in order to avoid any hazards.**



Prohibition

- **Do not stare directly at the LED lights when they are turned on.**



Caution

- **Clean the oil tray when the oil level reaches one half of the height to prevent the oil from overflowing or dripping during removal.**



Caution
during
installation

- **In order to prevent the product from detaching, the plastic expansion pipes shall be used with the drill with corresponding specifications to ensure that the connection is as seamless as possible.**



Strict
implementation

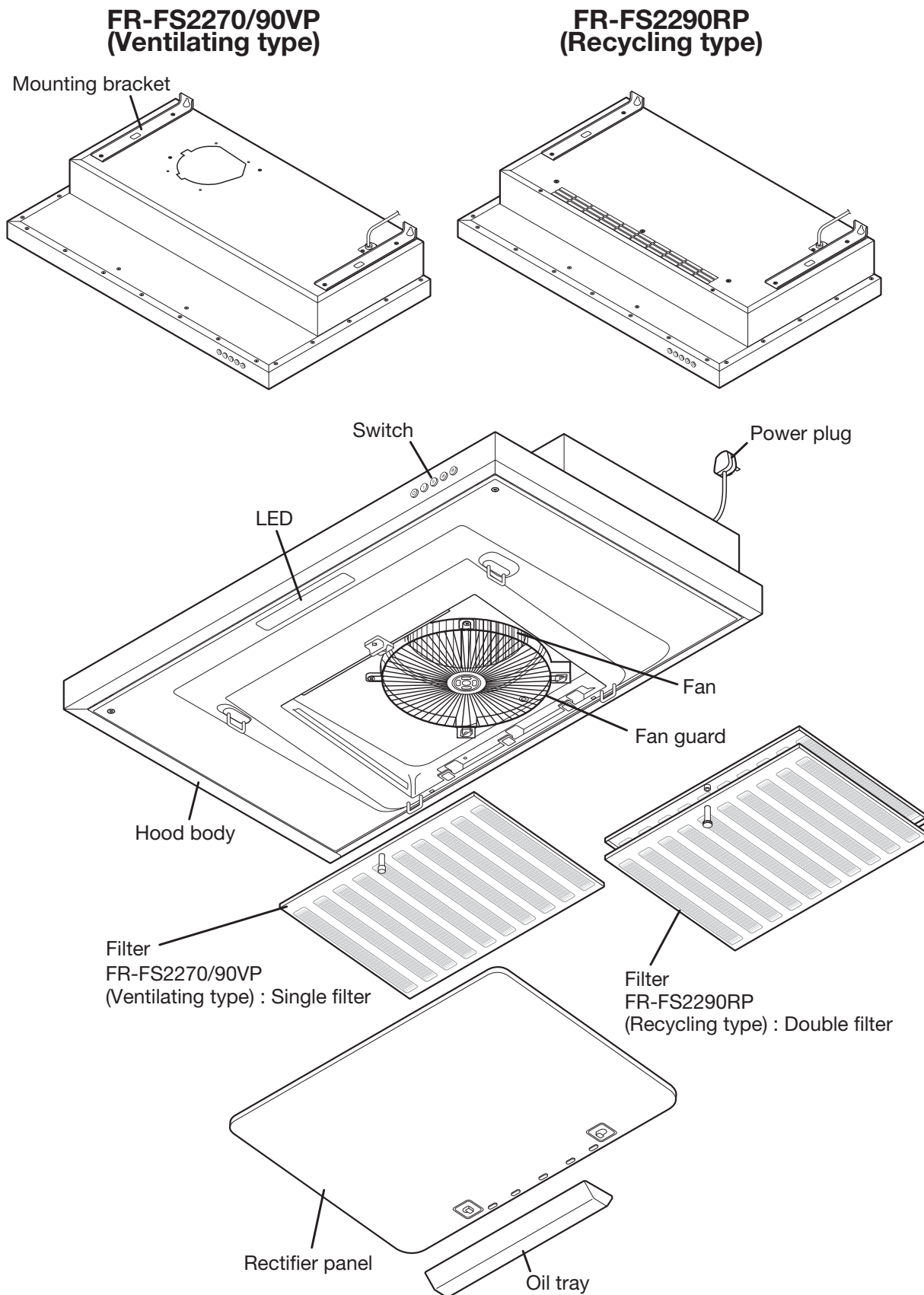
- **Ensure that the exhaust pipe is connected to an outdoor area. To avoid fire hazards and ensure the ventilation of fresh air, waste gas shall be discharged outdoors instead of walls, attics or garages.**

Precautions on use

- **Always turn on the cooker hood while cooking.**
Otherwise, the cooker hood may be damaged or fail to operate due to the increased temperature.
- **Never use a gas hob without any cooking equipment on it.**
Otherwise, the high temperature of the cooker hood body may result in machine failure.
- **Smoke capturing performance may be deteriorated by cross winds when the induction cooker is used. Additionally, dew may form on the surface of the cooker hood when it is used at low temperature.**
When this happens, first wipe off the cooker hood before using it.
- **Prevent direct wind from air conditioners.**
Otherwise, the smoke capturing performance may be reduced by direct wind from an air conditioner.
The cooker hood is easily affected in open areas, especially when the induction cooker is not generating any ascending air current.
- **Ensure that sufficient ventilation is maintained while operating the cooker hood.**
Ensure that there are adequate air intake slots on the wall opposite from the cooker hood, or that the door of the room is kept slightly open.
Otherwise, the smoke capturing performance may be reduced, or there may be abnormal noise, vibration.
- **Ensure that the distance between the water heater and the cooker hood is more than 500mm.**
As the area surrounding the water heater is at higher temperature, the cooker hood shall be at least 500mm away from the water heater.
Never install the cooker hood above the water heater. Otherwise, the cooker hood may become damaged or fail due to the increased temperature.
- **Never use the cooker hood with its rectifier panel removed.**
Otherwise, the smoke capturing performance may be reduced.
- **Inoperable cooker hoods shall be processed to ensure that it cannot be used before it is disposed.**

Preparation

Name of parts



■ List of included items

FR-FS2270/90VP (Ventilating type)






Name	Usage	Quantity
Main unit	—	1
Exhaust port	Connecting the main unit and the duct	1
Soft tape	Sealing the exhaust port and the duct	1
Washer-head wood screw (Ø5.1×25)	Mounting the main unit	6
Washer-head wood screw (Ø5.1×45)	Mounting the main unit	4
Fixing screw (M4×8)	Mounting the exhaust port	4
Oil tray	Collects filtered oil	1

FR-FS2290RP (Recycling type)

Name	Usage	Quantity
Main unit	—	1
Washer-head wood screw (Ø5.1×25)	Mounting the main unit	6
Washer-head wood screw (Ø5.1×45)	Mounting the main unit	4
Oil tray	Collects filtered oil	1

Switch



- | | | |
|---|--------|--|
|  | Button | Stop fan |
|  | Button | For light cooking (steaming, etc.) |
|  | Button | For medium cooking (light stir-fry of vegetable, etc.) |
|  | Button | For heavy cooking (deep fried fish, etc.) |
|  | Button | Turn ON/OFF the light |

■ Installation

Preparation and checking before installation

CAUTION

1. Install the cooker hood carefully and avoid any contact with any metal parts (the metal lattice in the wall or the like) of the building.
2. Never embed the body of the cooker hood in the wall. Otherwise, it may result in the electric leakage of the unit.
3. The air shall not be discharged into hot flues that are used for discharging fumes generated from burning gas or other fuels (Not applicable to cooker hoods that can discharge the air back into the room).
4. The distance between the topmost part of cooking appliance and the lowest part of cooker hood, when it is located exactly over the cooking appliance, shall be 650mm to 850mm. If greater distance is specified in the cooking appliance manual, it must be taken into account.
5. Use a gas hob with a width less than that of the cooker hood.
6. Avoid using the cooker hood with changes in specifications, for instance, with modified switches.
7. Never install the cooker hood in a wet area or in other wet rooms since it may result in electric shock or damage.
8. Never install the cooker hood at a place where the ambient temperature exceeds 40°C, otherwise it may result in machine failure.
9. To protect your hands from injury, please wear working gloves when installing the cooker hood.
10. If the power cord is damaged, it shall be replaced by the manufacturer or its service agent or a similarly qualified person to prevent any hazard.

Checking mounting surface strength

The mounting surface should have sufficient strength to support the cooker hood. The cooker hood shall be installed on a location that can support the weight of the cooker hood for an extended period of time.

[Product weight 15kg (FR-FS2270VP), 17kg (FR-FS2290VP), 18kg (FR-FS2290RP).]

■ In the case of boarded wall

- If the thickness is more than 20mm, mount the cooker hood directly to the wall.
- If the thickness is less than 20mm, embed a reinforcing board and mount the cooker hood to this board.

■ In the case of a concrete/tile faced wall

- Embed a reinforcing board in the wall in advance, or use a curl plug or the like.

Power plug

The cooker hood uses a 3-pin power plug.

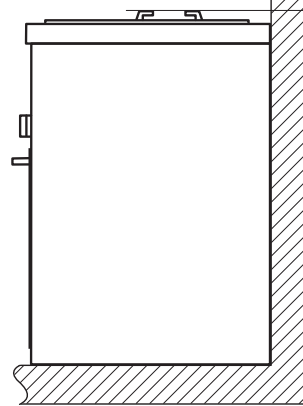
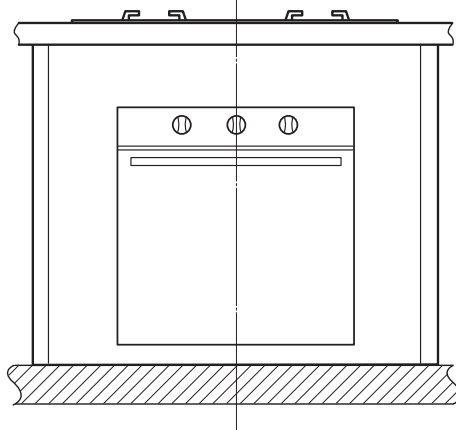
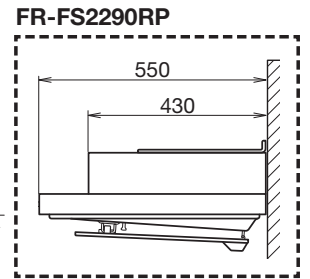
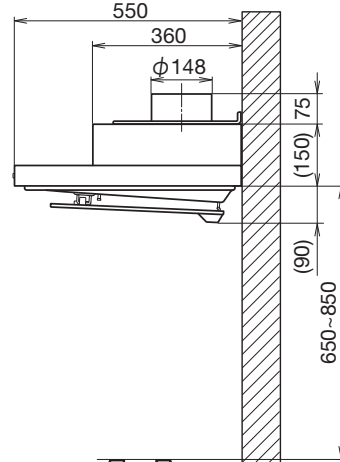
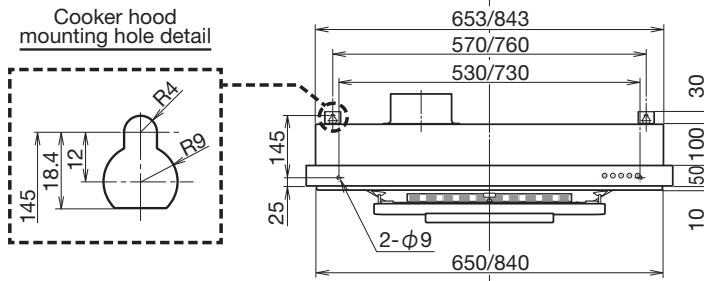
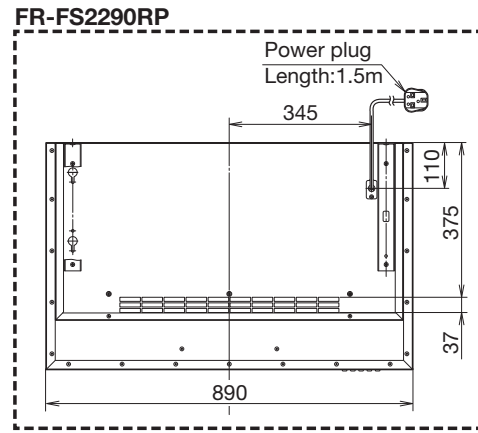
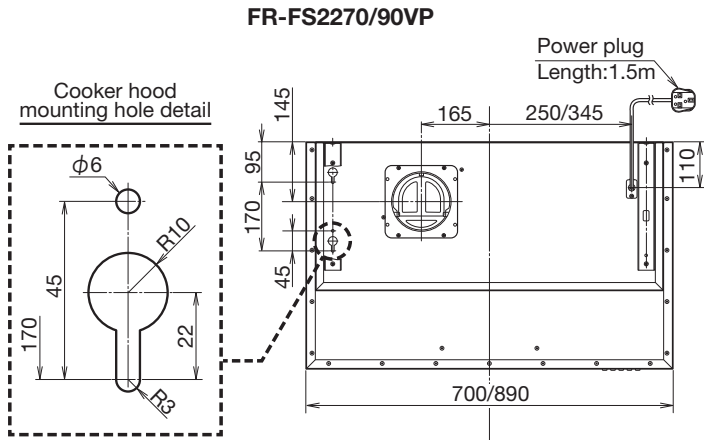
Be sure to use the wall outlet specified for the cooker hood.

Checking accessory parts

Take out the main unit and accessory parts from the packing box, and check if all accessories described in the packing list are available.

Confirmation of the installation location (Unit: mm)

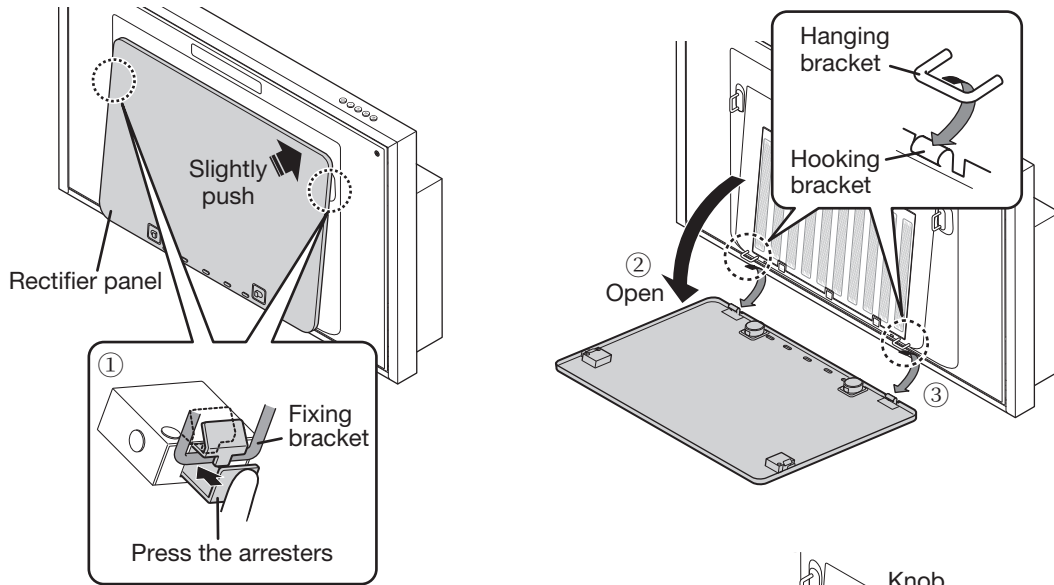
Installation



Preparation before installation

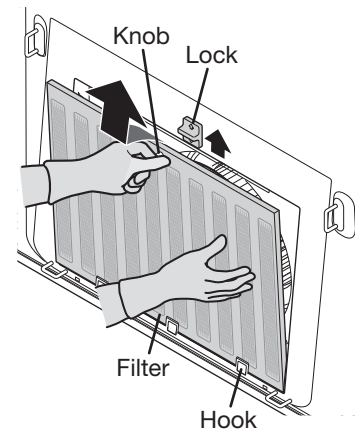
1 Removing rectifier panel

- 1) Support the rectifier panel with both hands and slightly push it forward. Press the left and right arresters of the rectifier panel for detaching (①).
 - 2) Support the rectifier panel with both hands to slowly detach it (②).
 - 3) Uphold the rear end of the rectifier panel at the position shown in the right figure to detach it from the hanging bracket of the cooker hood (③).
- * Be sure to detach both points at the same time. Otherwise, the metal parts may deform.



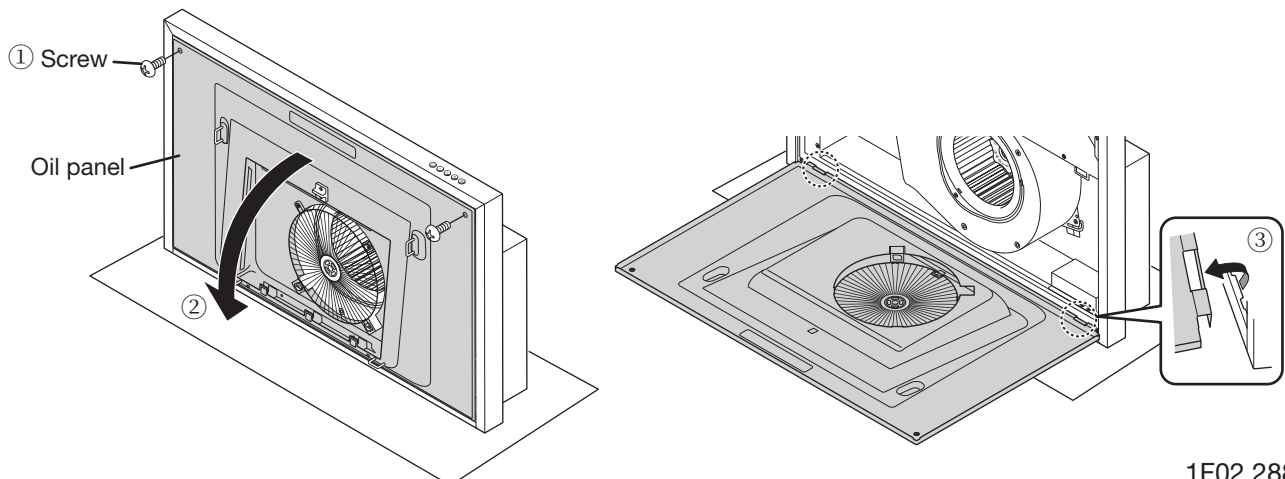
2 Removing filter

- Slide the lock upwards while holding the filter knob to remove it. Lift out the filter moving it upwards while supporting it with your hand so that it does not fall, then detach it from the three hooks at the bottom of the main unit.



3 Removing oil panel

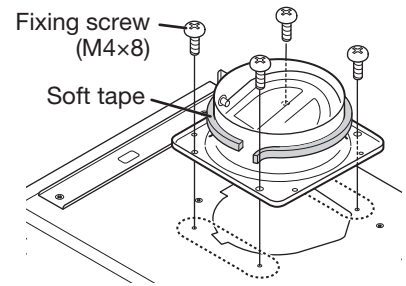
- 1) Loosen the two screws securing the oil panel to the hood body (①).
- 2) Supports the oil panel with both hands to slowly detach it (②).
- 3) Uphold the rear end of the oil panel at the position shown in the right figure below to detach it from the hood body (③).



4 Fixing the exhaust port (FR-FS2270/90VP only)

Firmly fix the supplied exhaust port by fastening the supplied fixing screws (M4×8).

Then attach the supplied soft tape around the supplied exhaust port.



Note

When attaching the exhaust port, pay attention to its shutter opening direction. If it's installed incorrectly, it may cause bad discharge, abnormal noise, etc.

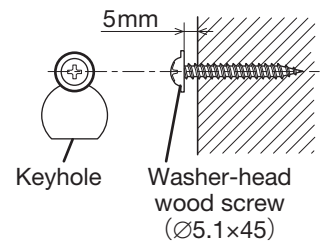


Cooker hood installation

Wall-mounted installation

1 Screw in washer-head wood screws on the wall

Referring to “Confirmation of the installation location” on page 8, insert the supplied washer-head wood screws (Ø5.1×45) into the mounting wall for the left and right keyholes of the mounting bracket. Allow about 5mm space between the wall and screwheads for hanging the cooker hood.

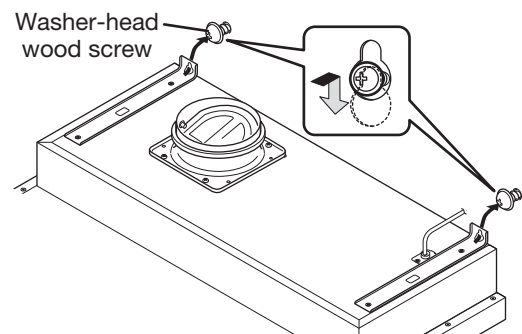


Note

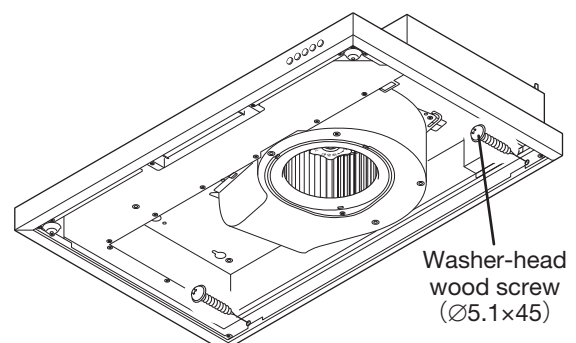
In case reinforcement is required, arrange it through the installation service provider.

2 Mount the cooker hood

1) Hook the keyholes of the cooker hood on the supplied washer-head wood screws, and tighten the screws.



2) Fasten the 2 supplied washer-head wood screws (Ø5.1×45) on the rear of the cooker hood securely.



3 Connection of duct and exhaust port (FR-FS2270/90VP only)

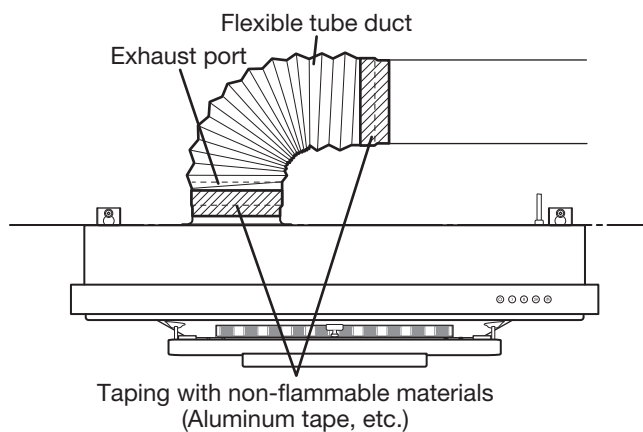
Connect $\varnothing 150$ flexible tube duct or the like with the supplied exhaust port.

Make the supplied exhaust port secure and airtight using non-flammable tape such as aluminium tape, etc. (not supplied)

Note

The longer the exhaust duct, the lower the ventilation.

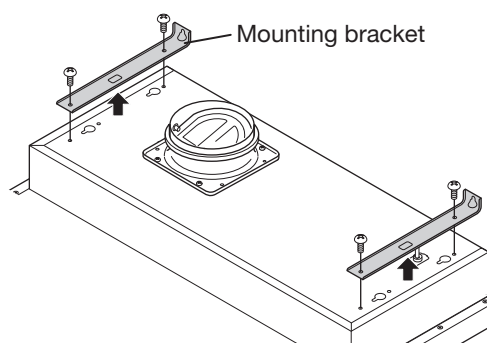
After completing this process, proceed to "Reattaching the removed parts" on page 13.



Upper side-mounted Installation

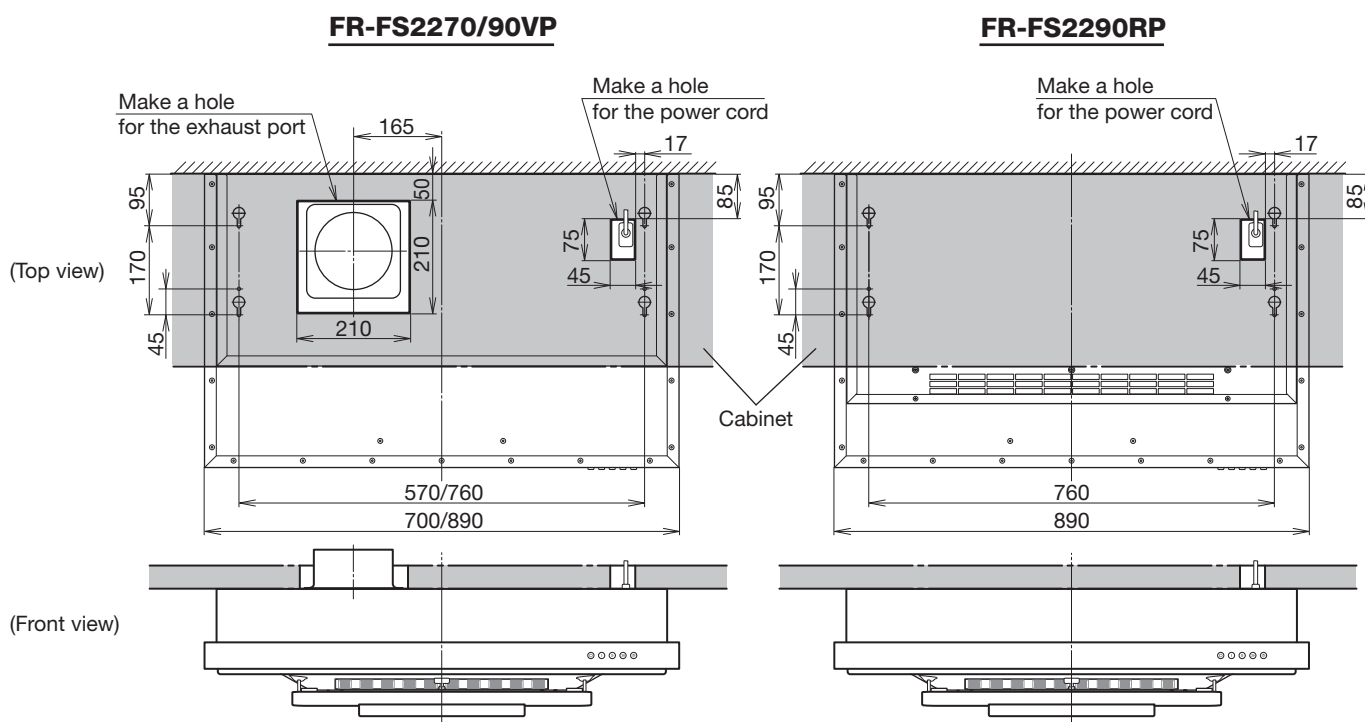
1 Detach mounting brackets from the cooker hood

Detach the two mounting brackets attached on the upper side of the cooker hood.



2 Make holes on mounting surface (cabinet)

Referring to the diagrams below, make holes on the mounting surface (cabinet) for the power cord and the exhaust port (FR-FS2270/90VP only).

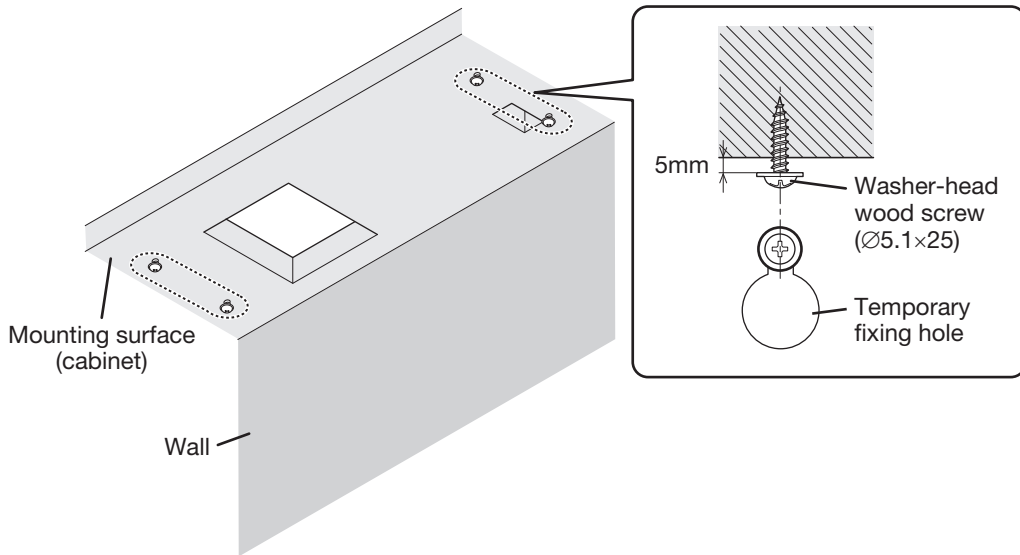


3 Screw in washer-head wood screws on the mounting surface

Referring to “Confirmation of the installation location” on page 8, fasten the supplied washer-head wood screws ($\varnothing 5.1 \times 25$) into the mounting surface through the keyholes of the upper side of the main unit. Allow about 5mm space between the wall and screwheads for hanging the cooker hood.

Note

Incase reinforcement is required, arrange it through the installation service provider.



4 Install cooker hood on mounting surface (cabinet)

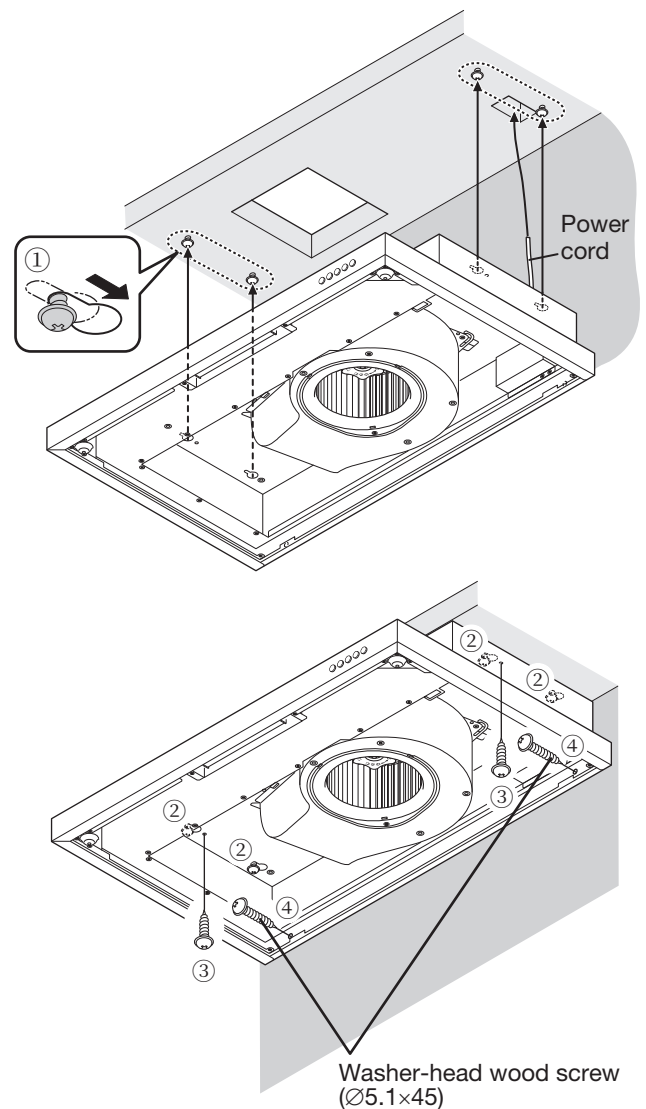
1) Slot the temporary fixing hole on the upper side of the cooker hood into the screw fitted as shown on the right and slide the temporary fixing holes towards the rear end (①).

* Hold the cooker hood firmly to ensure that the cooker hood does not fall during the process.

2) Fully tighten the 4 supplied washer-head wood screws ($\varnothing 5.1 \times 25$) in the temporary fixing holes (②).

3) Screw in the 2 supplied washer-head wood screws ($\varnothing 5.1 \times 25$) provided into the 2 round holes on the upper side of the cooker hood at the position shown in the right figure (③).

4) Screw in the 2 supplied washer-head wood screws ($\varnothing 5.1 \times 45$) provided into the holes on the rear side of the main unit at the position shown in the right figure (④).



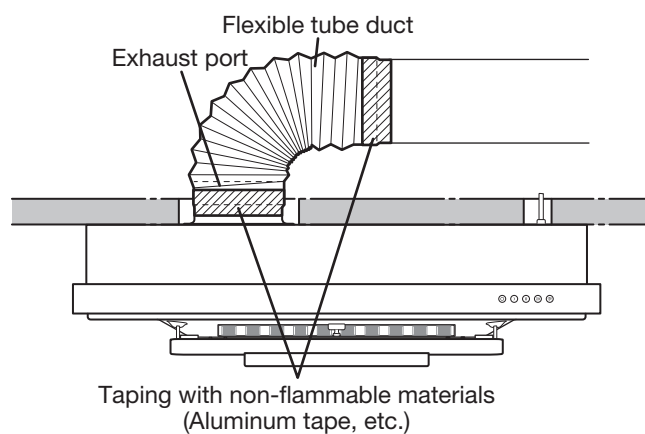
5 Connection of duct and exhaust port (FR-FS2270/90VP only)

Connect $\varnothing 150$ flexible tube duct or the like with the supplied exhaust port.

Make the supplied exhaust port secure and airtight using non-flammable tape such as aluminium tape, etc. (not supplied)

Note

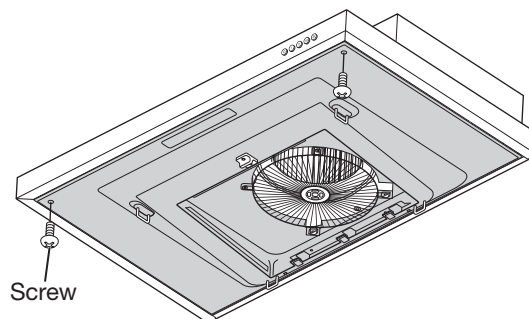
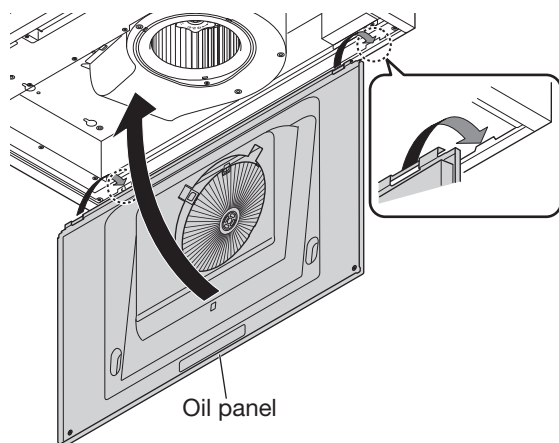
The longer the exhaust duct, the lower the ventilation.



Reattaching the removed parts

1 Attaching oil panel

Hook the rear of the oil panel on the catches, then raise its front. With holding the oil panel, fix it using 2 screws.

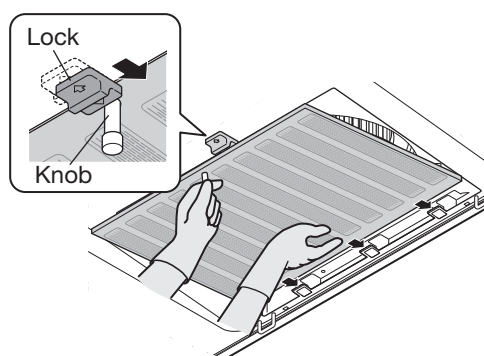


2 Attaching filter

Hold the filter on its knob and carefully fit the other end on the hooks of the hood body, then push it onto the main unit. Slide the lock backwards to affix the filter in place.

Note

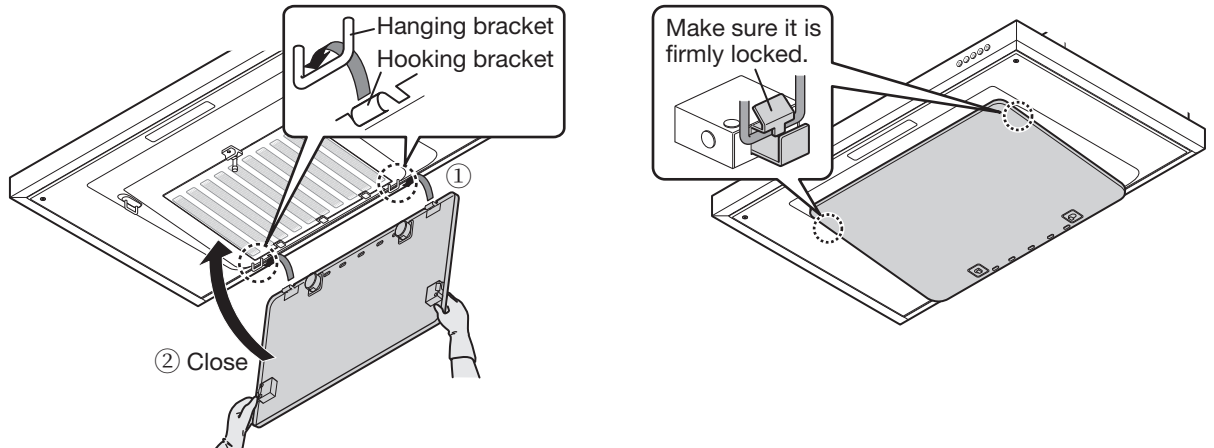
Be sure to hold the filter with hand when attaching it. Otherwise, it may drop and result in injury.



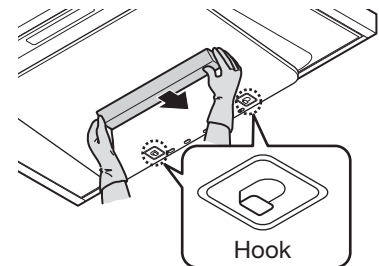
- ### 3 Attaching rectifier panel
- 1) Securely hang the left and right hooking bracket at the rear of the rectifier panel on the hanging bracket (①) of the cooker hood.
 - 2) Support the rectifier panel with both hands and lift the front end upwards until a “snap” sound is heard, and it is secure (②).
- After installing, pull the rectifier panel up and down to make sure it will not drop.

Note

In order to prevent fasteners falling due to insufficient locking, please make sure that the rectifier panel is locked securely.



- ### 4 Attaching oil tray
- Install the supplied oil tray on the rectifier panel. Align the 2 projections of the supplied oil tray with the installation hooks of the rectifier panel. Insert the projections, slide the tray backwards and secure it.



Operation checking

Turn off the circuit breaker on the distribution board, and then plug the power plug into the outlet. After turning on the circuit breaker, switch on the hood to check the operation. Refer to page 6 for instructions on switch operation and operation state confirmation.

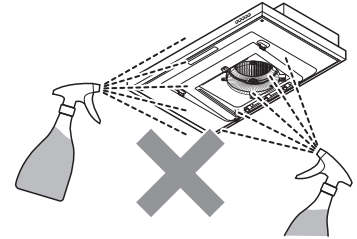
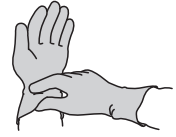
- Check if the fan rotates normally at all speeds during operation.
- Check that there are no abnormal noise or vibration.

Maintenance

Clean the cooker hood frequently as it will become greasy (especially, clean the filter at least once a month. For a family, cooking at least twice a day, clean the filter once in every two weeks). If the cooker hood is left unattended for a long time, a large amount of oil will accumulate and become hardened grease, which is difficult to remove. Always clean the oil tray, external body and the rectifier panel in a timely manner (cleaning frequency: about once a month).

Precautions for maintenance

- Before cleaning the cooker hood, be sure to disconnect the power plug from the socket, or turn off the breaker.
- For safety, always wear a pair of rubber gloves while cleaning the filter and other parts.
- Especially, ensure that no water is splashed on electric parts such as motor, switches, connectors or the like. Do not spray any type of detergent to the electric parts. Otherwise, it may cause machine failure.
- Do not apply solvents such as thinner, benzene, polishing powder or the like for cleaning painted surfaces, oil panel and others, since it will tarnish or scratch them.
- Do not wash parts with a hard brush or the like for cleaning, otherwise, parts will be damaged.
- The cooker hood may catch fire if it is not cleaned according to the Manual.



Detaching/Attaching of parts to be cleaned

Install all parts using the opposite procedure as that for removing the parts.

Oil Tray

■ Detaching

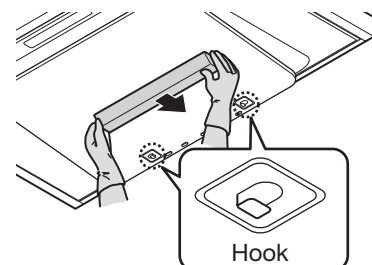
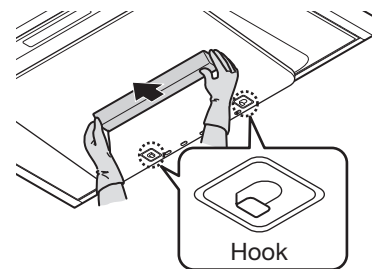
Remove the oil tray by pulling the 2 projections out of the rectifier panel hook. While removing, make sure oil on the oil tray does not overflow or gets spilled.

Note

Oil may not accumulate in the short period of time depending on usage frequency, which is normal.

■ Attaching

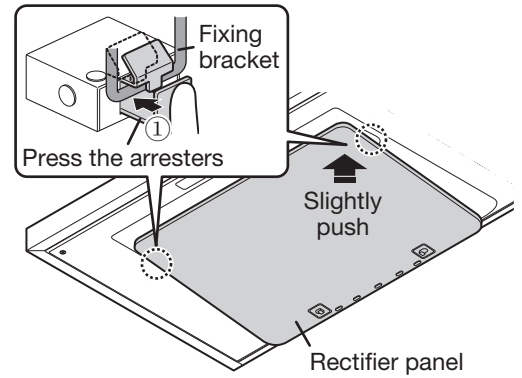
Install the oil tray on the rectifier panel. Align the 2 projections of the oil tray to the installation hooks of the rectifier panel. Insert the projections, slide the tray backward and secure it.



Rectifier Panel

■ Detaching

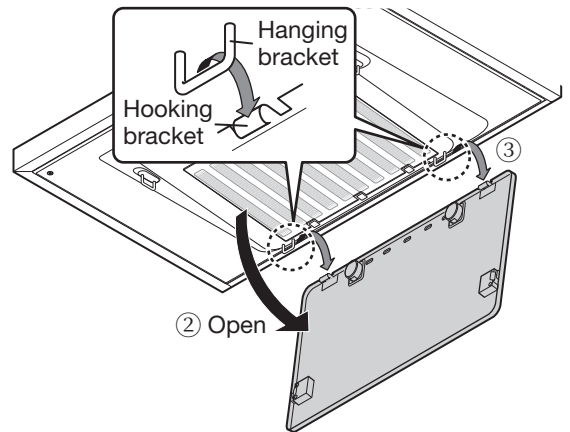
1) Support the rectifier panel with both hands and slightly push it upwards. Press the left and right arresters of the rectifier panel for detaching (①).



2) Support open the rectifier panel with both hands to slowly detach it (②).

3) Uphold the rear end of the rectifier panel at the position shown in the lower right figure to detach it from the hanging bracket of the cooker hood (③).

* Be sure to detach both points at the same time. Otherwise, the metal parts may deform.

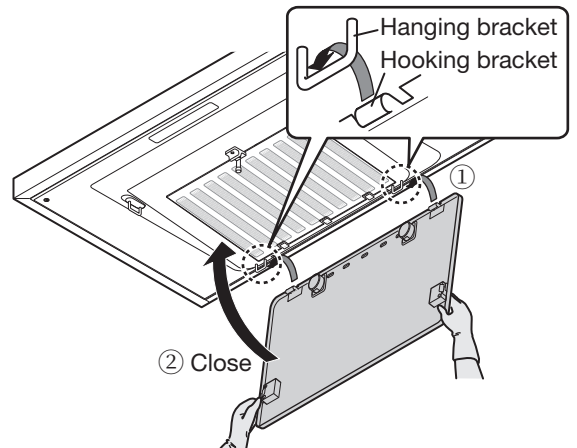


■ Attaching

1) Securely hang the left and right hooking bracket at the rear of the rectifier panel on the hanging bracket (①) of the cooker hood.

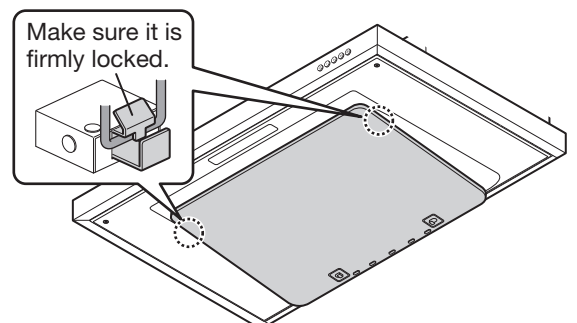
2) Support the rectifier panel with both hands and lift the front end upwards until a “snap” sound is heard, and it is secure (②).

After installing, pull the rectifier panel up and down to confirm the stability.



Note

In order to prevent fasteners falling due to insufficient locking, please make sure that the rectifier panel is locked securely.



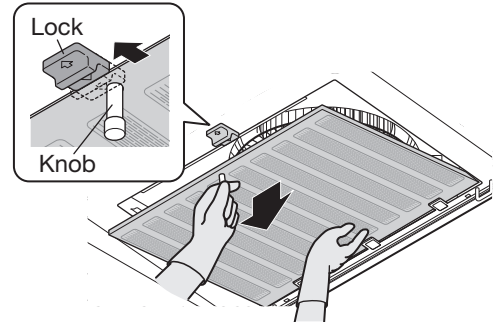
Filter

■ Detaching

Slide the lock forward while holding the filter knob to remove it. Pull out the filter moving it forward while supporting it with your hand so that it does not fall, then detach it from the three hooks at the bottom of the main unit.

Note

Be sure to hold the filter with hand when removing it. Otherwise, it may drop and result in injury.

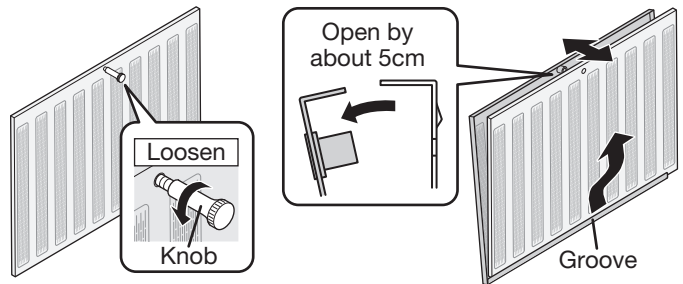


Disassembly/Assembly of filter

FR-FS2290RP (Recycling type) : Double filter only

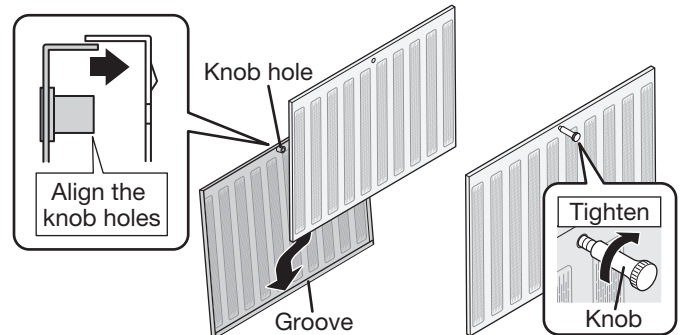
[Disassembly]

- 1) Remove the knob by turning it in the direction of loosen.
- * Ensure that the removed knob does not get misplaced.
- 2) Open the upper side (where screw holes are located) by about 5cm and detach the filter by pulling it out from the groove at the bottom.



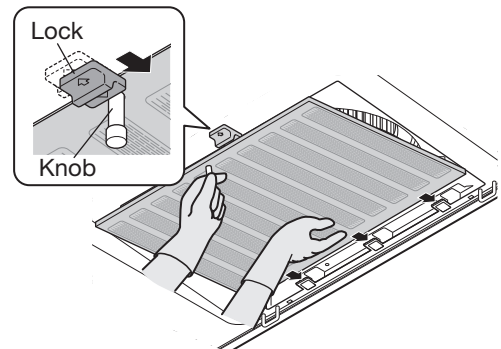
[Assembly]

- 1) Install the filters into the groove in such a way that the knob holes of both filters align exactly at the same place.
- 2) Attach the knob by turning it in the direction of tighten and fix it firmly.



■ Attaching

Insert the main unit hooks into the rear side of the filter, then push the front side of the filter onto the main unit. Slide the lock backwards to affix the filter in place.



Cleaning

Hood body

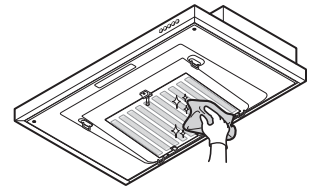
When cleaning, use a neutral detergent and soft cloth.

Do not use an organic solvent. After cleaning, wipe the hood well with a wet cloth dipped in water to remove any remaining detergent, and finally thoroughly wipe any moisture off using a dry cloth.

Oil tray/Rectifier panel/Filter

When cleaning, use a neutral detergent and soft cloth.

Do not use an organic solvent. After cleaning, wash off with water to remove all remaining detergent, and finally thoroughly wipe any moisture off using a dry cloth.

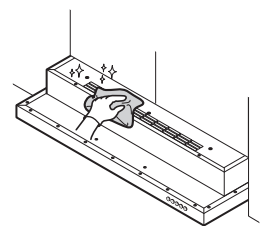


Note

When cleaning the rectifier panel, perform it on a flat surface to avoid any sorts of deformation.

Exhaust outlet/Cabinet (FR-FS2290RP only)

Oil will exhaust at exhaust outlet if rectifier panel and filter are not cleaned and washed regularly. If oil is seen at the exhaust outlet or cabinet, wipe off the oil with soft cloth soaked in neutral detergent. Do not use an organic solvent. After cleaning, wipe the exhaust outlet or cabinet with a wet cloth dipped in water to remove detergent and finally thoroughly wipe any moisture off using a dry cloth.



Fan

As for cleaning of the fan, please consult Fujioh/Agent.

Other Information

Specifications

FR-FS2270/90VP (Ventilating type)

Rated Voltage (V)	Speed	Frequency (Hz)	Power Consumption (W)	Air Flow (m ³ /h)	Sound (dB)
220	Hi	50	105	545	50
	Med		75	420	45
	Low		55	330	39
230	Hi	50	110	555	51
	Med		80	440	46
	Low		60	350	40
240	Hi	50	115	565	52
	Med		85	460	47
	Low		65	370	41

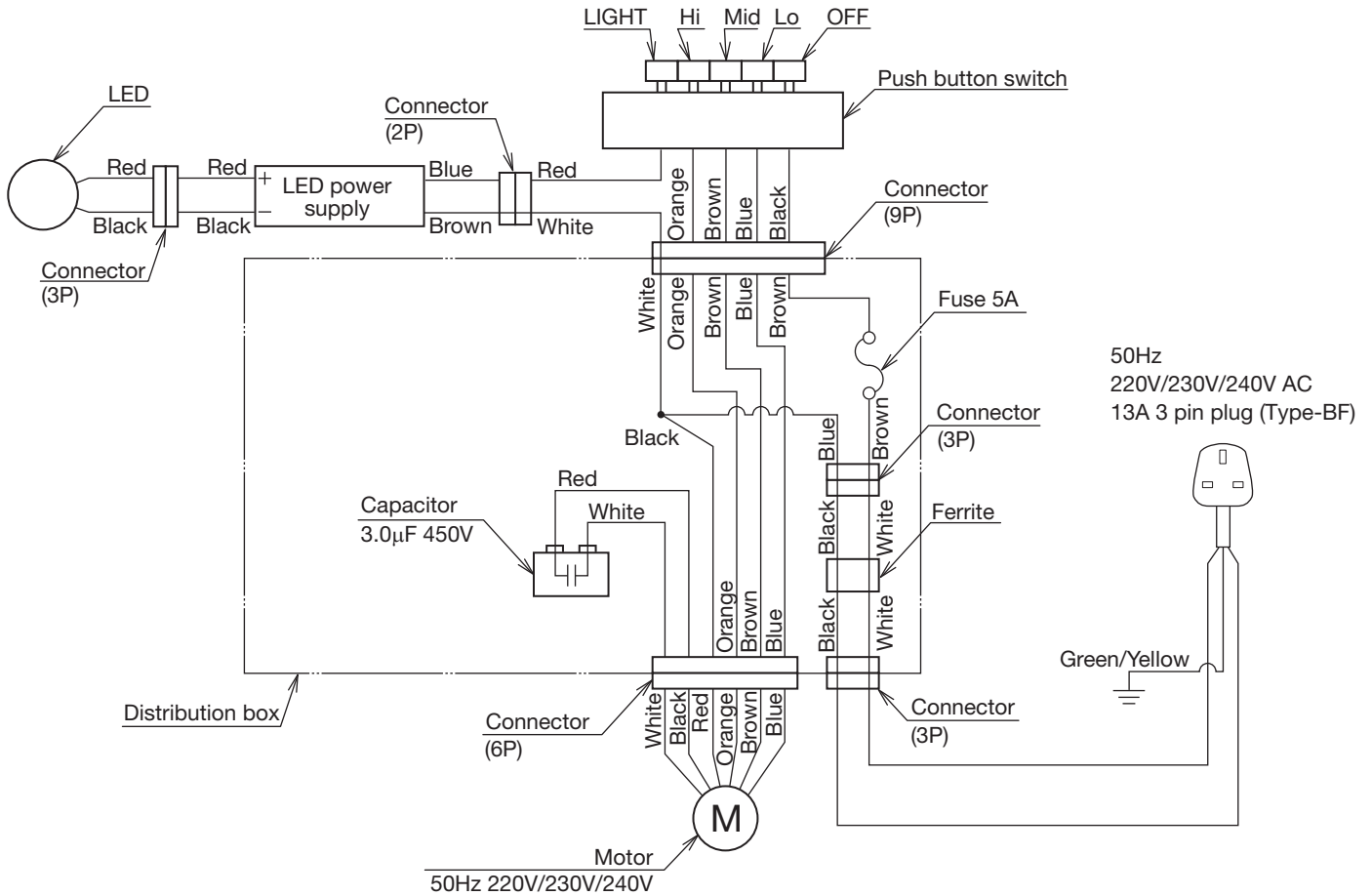
* with 3.5 watts for lamp

FR-FS2290RP (Recycling type)

Rated Voltage (V)	Speed	Frequency (Hz)	Power Consumption (W)	Air Flow (m ³ /h)	Sound (dB)
220	Hi	50	90	395	53
	Med		65	340	49
	Low		50	285	45
230	Hi	50	95	400	53
	Med		70	350	50
	Low		55	300	46
240	Hi	50	100	405	53
	Med		75	360	51
	Low		60	310	47

* with 3.5 watts for lamp

Circuit diagram



Other Information

Service and warranty

When requesting after-sales service:

- If any abnormality occurs while the cooker hood is in operation, switch the cooker hood off and check the following:

- (1) Whether the fuse in the breaker has been burnt out?
- (2) Whether the power plug is not in proper contact with the socket?

If none of the above causes are the problem, disconnect the power plug from the socket and consult the shop from which you have purchased your cooker hood.

When consulting the shop, inform the shop the type/model of cooker hood and the date of purchase.



- The minimum warranty period of performance parts for repairing the cooker hood is 5 years after termination of manufacturing of the cooker hood.

The performance parts refer to those parts for required to maintain the functions of a cooker hood. However, the warranty period of the same kinds of interchangeable parts can be prolonged to another 4 years.

Under the premise of not affecting the normal use, we are willing to repair these parts according to your instructions.

- The parts used on the cooker hood are subject to change without prior notice owing to improvement of performance.

Global Website
www.fujioh.com

FUJIOH INTERNATIONAL TRADING PTE. LTD.

Southeast Asia Regional Headquarters

3014A Ubi Road 1 #06-04, Singapore 408703

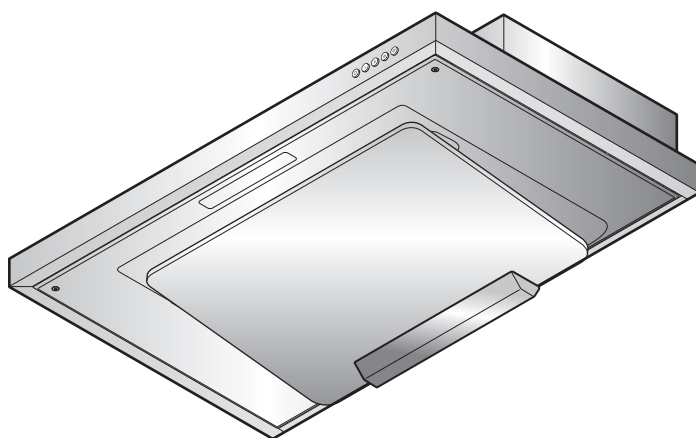
Tel : (65) 6286 3286 Fax : (65) 6285 3285

E-mail : fit@fujioh.com.sg

吸油烟机

FR-FS2270/90VP (外排型)
FR-FS2290RP (内循环型)

使用说明书



目 录

安全注意事项	22~24	维修保养	34~38
使用须知	24	维修保养注意事项	35
准备	25, 26	拆卸 / 安装需要清洗的零部件 ...	35~37
零部件名称	25	清 洁	38
操作按键	26	其他信息	38, 39
安装	27~34	规 格	38
安装前的准备和检查	27, 28	电路图	39
安装前的准备工作	29, 30	修理与保修	39
吸油烟机的安装	30~33		
将卸下的零部件重新组装起来 ...	33, 34		
运行检查	34		

敬告零售店及安装单位：
在安装施工结束后，务必请
将本使用说明书呈交顾客。

感谢购买本公司吸油烟机。
安装 / 操作吸油烟机之前，请通读此说明书。
阅读后，请妥善保管此说明书。



安全注意事项

- 安装和操作前，请阅读以下安全注意事项，以便正确、安全地使用吸油烟机。
- 这些安全注意事项旨在确保用户能正确使用本产品，以防对自己或他人造成危险或伤害。根据危险性和损害程度，安全注意事项分为“警告”和“注意”两个等级。因这些注意事项对于安全至关重要，因此务必加以注意并严格予以遵守。



警告

如未遵守，有可能造成严重伤害。



注意

如未遵守，有可能造成人身伤害或物品损害。

警告



四眼炉灶以下

- 本吸油烟机设计为可安装在至多四个灶头或四眼炉灶之上。



禁止拆卸、进行维修或改装

- 切勿试图拆卸、进行维修或改装。应请专业的技术人员进行操作。否则，可能造成火灾、触电或异常情况。



禁止使用

- 严禁在交流电压超过 220V/230V/240V 的地区使用。否则可能造成火灾或触电。



组装注意事项

- 必须由专业技术人员进行电力布线。布线不当可能会造成漏电或火灾危险。



安装注意事项

- 应至少由 2 人进行安装作业。吸油烟机的重量约为 15kg (FR-FS2270VP)、17kg (FR-FS2290VP)、18kg (FR-FS2290RP)。



安装注意事项

- 为了确保与主电源全极断开，应该在固定布线中设置断路器。



拔下电源插头

- 维修保养时，务必从插座上拔下电源插头，或关闭断路器。此外，请勿用湿手接触电源插头或断路器。否则可能会导致触电或人身伤害。



除尘

- 应定期清洁电源插头，以免积尘。否则可能会造成火灾或触电。



严禁喷水

- 严禁向任何电器零部件喷水。否则可能会造成火灾或触电。



严禁进行操作

- 发生煤气泄露时，严禁打开吸油烟机。否则可能会导致煤气爆炸。



注意通风

- 吸油烟机应安装在通风良好的位置。使用自然排气式炉具时，通风不良会导致一氧化碳中毒。



严格执行

- 热烟道用于将燃烧燃气或其他燃料产生的烟气排出室外，因此不得将吸油烟机产生的空气排入热烟道中（本条规定不适用于可将空气排放回室内的吸油烟机）。

警告



注意调节

- 随时调节排气。



监督要求

- 体质虚弱者、感官能力不足或精神状况较差者（包括儿童）或缺乏经验或知识的人员，不适宜使用本产品，除非有专人负责其安全并为其提供与本产品使用相关的监督或指导。应对儿童严加看管，切勿让其玩弄本产品。



注意通风

- 吸油烟机与多个燃烧燃气或其他燃料的器具一起使用时，请确保室内通风良好。



经常清洁

- 如果未按说明进行清洁，可能会引发火灾。



严禁烧烤

- 禁止在吸油烟机下方进行烧烤。

注意



安装注意事项

- 请将本产品安装在坚固的位置。否则，吸油烟机可能掉落，并造成人身伤害或物品损害。



捏住电源插头端部，拔掉插头

- 断开电源时，应捏住电源插头，切勿拉拽电线。否则可能会损坏电线，并引发火灾或触电。



拔掉插头

- 长时间不使用吸油烟机时，务必从插座上拔下电源插头，或断开断路器。否则可能会导致绝缘性能受损，并引起火灾或触电。



禁止使用

- 切勿在浴室等潮湿场所使用本产品（应在浴室使用排气扇）。否则可能会造成火灾或设备故障。



组装注意事项

- 应将维修时拆下的零部件牢固地组装好。否则，可能会发生零部件脱落或吸油烟机本身掉落，进而导致人身伤害或物品损害。



组装注意事项

- 必须根据有关标准或规定安全布线。布线不当可能导致火灾或触电。



禁止触摸

- 切勿在烹饪过程中触摸滤网或周围零部件。否则可能会导致滤网或零部件脱落，甚至导致烫伤或受伤。



禁止触摸

- 吸油烟机运转时，切勿将手指或其他物品插入其中。否则可能导致机器故障或人身伤害。



禁止操作

- 锅具着火时应立即关闭吸油烟机。否则吸油烟机会助长火势，造成危险。



安装注意事项

- 当吸油烟机正好位于炊具上方时，炊具的上边缘与吸油烟机下边缘之间的距离应为650mm~850mm。如果炊具使用说明书规定了更大间距，则必须加以考虑。

⚠ 注意



禁止放置物品

- 请勿在吸油烟机上放置任何物品。否则可能导致火灾、机器故障或因物品掉落导致受伤。



戴工作手套

- 维修保养时务必戴上工作手套。否则可能会被尖锐边角划伤。



更换受损电线

- 如果电线受损，必须由制造商、服务代理机构或拥有同等资格的人员予以更换，以免造成危险。



禁止

- LED灯打开时，请勿直视。



注意

- 当油杯内油量达到一半时，请及时清理，以防止油溢出或移除油杯时油杯内有油滴落。



安装注意事项

- 为防止本产品掉落，使用塑料膨胀管时，请配用相应规格的钻头，以确保无缝贴合。



严格执行

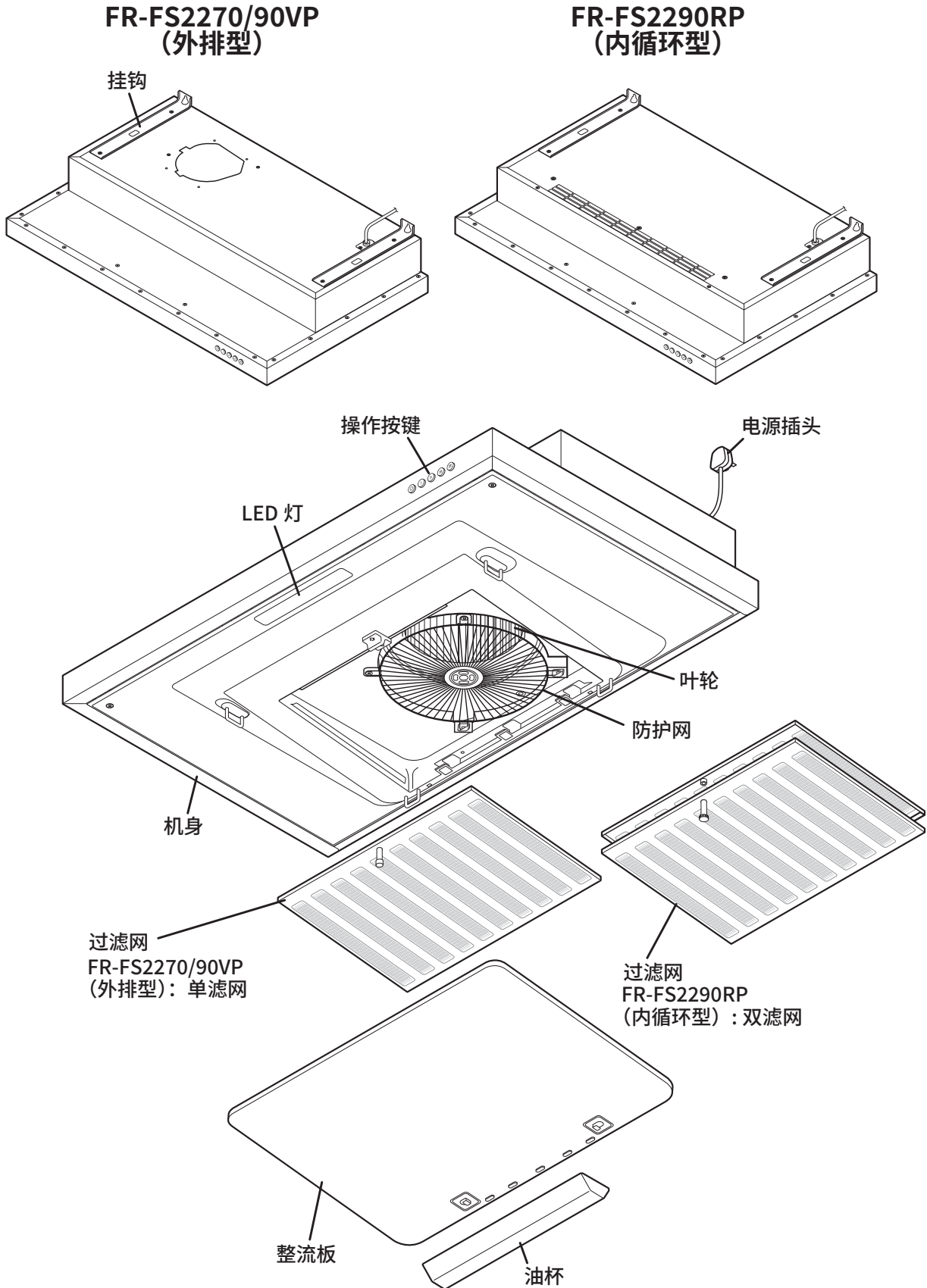
- 确保将排气管接到室外。为避免发生火灾并保持清新空气的流通，请将废气排到室外。请勿将其排放到墙体、阁楼或车库中。

使用须知

- 烹饪时，请打开吸油烟机。
否则，吸油烟机可能会因温度升高而损坏或发生故障。
- 切勿在未放置任何炊具的情况下使用燃气灶。
否则，吸油烟机可能会因机身温度过高而发生故障。
- 使用电磁炉时，吸油烟机的吸油烟性能可能会因侧风的影响而降低。
此外，如果在低温环境使用吸油烟机，其表面可能会结露。
此时，应先将吸油烟机擦拭干净，然后再予使用。
- 避免空调直吹。
否则，空调直吹可能会导致吸油烟性能下降。
在开阔空间中，尤其是电磁炉不产生上升气流时，吸油烟机性能很容易受到影响。
- 吸油烟机运行过程中，应确保良好的通风环境。
吸油烟机对面墙体上应预留足够的进风口，或将厨房门适当打开。
否则，吸油烟性能可能会下降，或可能产生异常噪音、振动。
- 确保热水器与吸油烟机之间至少间隔 500mm。
由于热水器周围的温度较高，因此应与吸油烟机保持 500mm 以上的距离。
切勿将吸油烟机安装在热水器的上方。否则，吸油烟机可能会因温度升高而损坏或发生故障。
- 切勿在整流板拆下的情况下使用吸油烟机。
否则，吸油烟性能可能会下降。
- 处理废旧吸油烟机时，将其处理到他人无法继续使用的状态后再废弃。

准备

零部件名称



准备

■ 装箱清单

FR-FS2270/90VP (外排型)

名称	用途	数量
主机	—	1
排气口	连接主机和排气管	1
软密封带	密封排气口和排气管	1
垫圈木螺丝 (Ø5.1×25)	安装主机	6
垫圈木螺丝 (Ø5.1×45)	安装主机	4
固定螺丝 (M4×8)	安装排气口	4
油杯	集取使用过后的油	1

FR-FS2290RP (内循环型)

名称	用途	数量
主机	—	1
垫圈木螺丝 (Ø5.1×25)	安装主机	6
垫圈木螺丝 (Ø5.1×45)	安装主机	4
油杯	集取使用过后的油	1

操作按键



- | | |
|-------|----------------|
| ○ 按钮 | 关闭叶轮 |
| 〉 按钮 | 用于轻油烹饪 (蒸煮等) |
| » 按钮 | 用于中油烹饪 (清炒蔬菜等) |
| »» 按钮 | 用于重油烹饪 (炸鱼等) |
| ☀ 按钮 | 开关灯 |

■ 安 装

安装前的准备和检查

⚠ 注意

1. 安装吸油烟机时应小心谨慎，避免接触建筑物的任何金属零部件（墙壁上的金属网等）。
2. 切勿将吸油烟机机身嵌入墙内。否则，可能会导致主机漏电。
3. 热烟道用于将燃烧气体或其他燃料产生的烟气排出室外，因此不得将吸油烟机产生的空气排入热烟道中（本条规定不适用于可将空气排放回室内的吸油烟机）。
4. 当吸油烟机正好位于炊具上方时，炊具的上边缘与吸油烟机下边缘之间的距离应为 650mm~850mm。如果炊具使用说明书规定了更大间距，则必须加以考虑。
5. 使用宽度小于吸油烟机宽度的燃气灶。
6. 避免使用规格发生变动的吸油烟机，例如操作按键被改装。
7. 切勿将吸油烟机安装在潮湿区域或其他潮湿房间，否则可能会导致触电或损坏。
8. 切勿将吸油烟机安装在环境温度超过 40°C 的位置，否则可能会导致机器故障。
9. 为防止伤手，安装吸油烟机时请戴上工作手套。
10. 如果电线受损，应由制造商或其服务机构或拥有同等资格的人员进行更换，以防发生任何危险。

检查安装面的强度

安装面应具有足够的强度来支撑吸油烟机。应将吸油烟机安装在能够牢固持久地支撑吸油烟机重量的位置。

【产品重量 15kg (FR-FS2270VP)、17kg (FR-FS2290VP)、18kg (FR-FS2290RP)】

■ 安装在板墙上

- 如果板墙厚度超过 20mm，则可直接将吸油烟机安装到墙上。
- 如果板墙厚度小于 20mm，则应埋入增强板，再将吸油烟机安装到此板上。

■ 安装在混凝土 / 瓷砖墙上

- 在墙内预埋增强板，或使用塑料膨胀管或类似零部件。

电源插头

该吸油烟机使用三芯电源插头。

务必使用吸油烟机专用的墙壁插座。

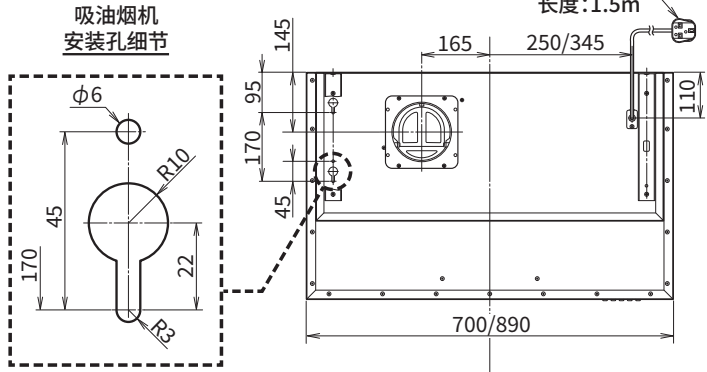
检查附件

从包装箱中取出主机和附件，并检查装箱清单上的附件是否齐全。

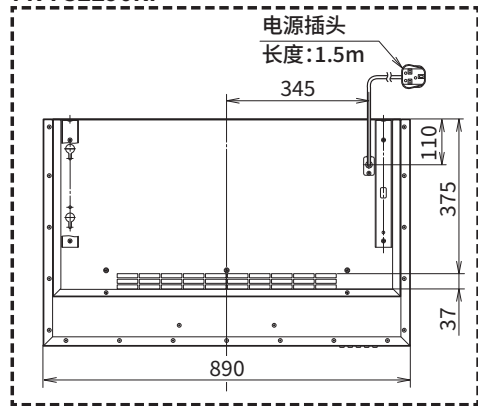
确认安装位置 (单位: mm)

安装

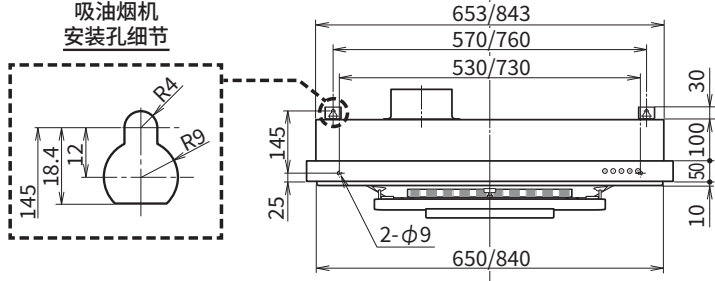
FR-FS2270/90VP



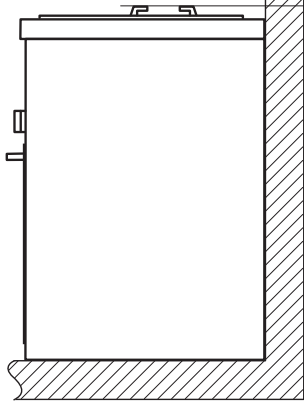
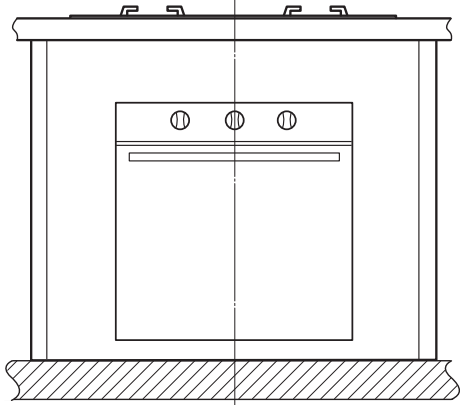
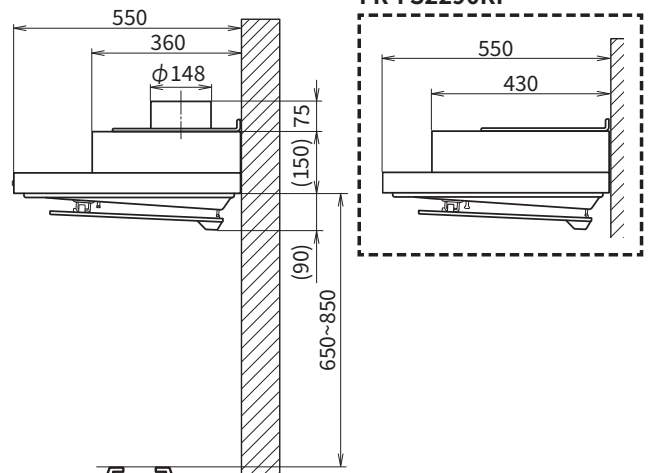
FR-FS2290RP



吸油烟机
安装孔细节



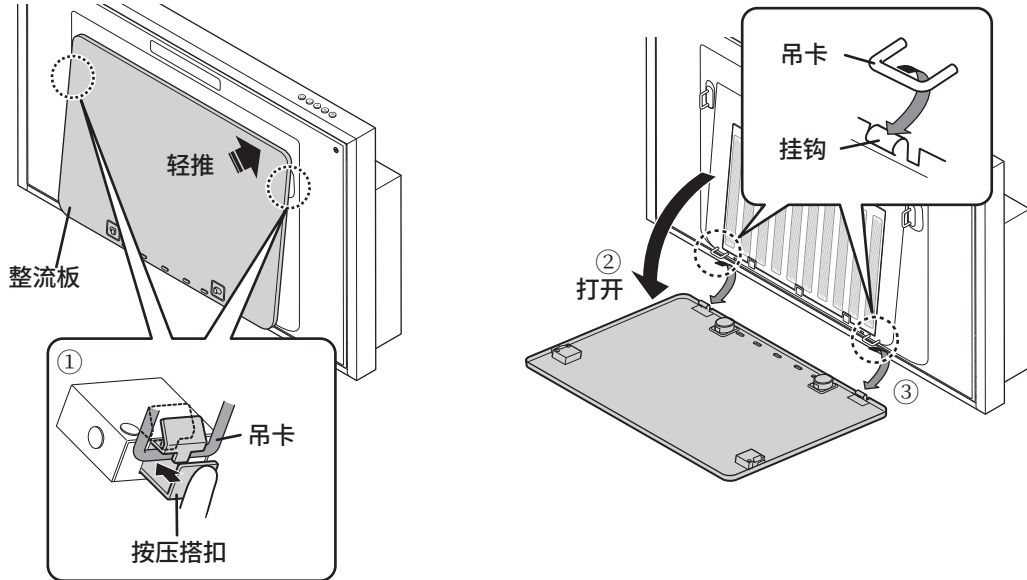
FR-FS2290RP



安装前的准备工作

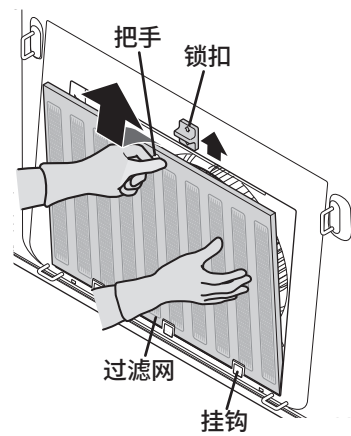
1 卸下整流板

- 1) 用双手撑住整流板，轻轻向前推。按下整流板左右搭扣，使其分离（①）。
 - 2) 用双手撑住整流板，慢慢将其分离（②）。
 - 3) 在右图所示位置举起整流板后端，将其从吸油烟机的吊卡上卸下（③）。
- * 确保同时卸下左右两处。否则会造成金属零部件变形。



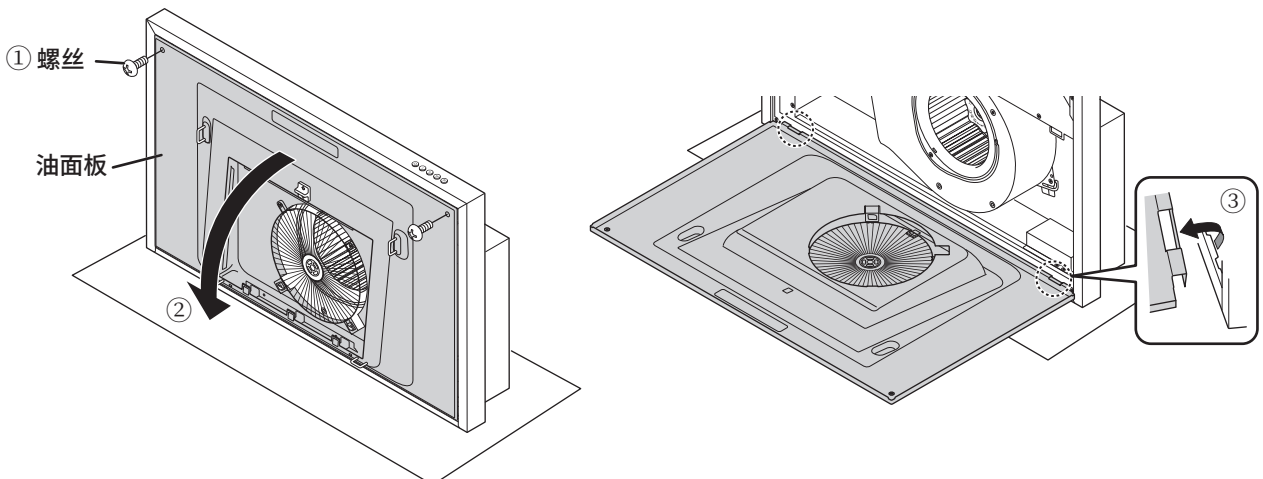
2 卸下过滤网

- 1) 握住过滤网把手，向上滑动锁扣，将其拆下。
- 2) 取出过滤网，使其上移，同时用手支撑，使其不会掉落，然后将其从主机底部的三个挂钩上卸下。



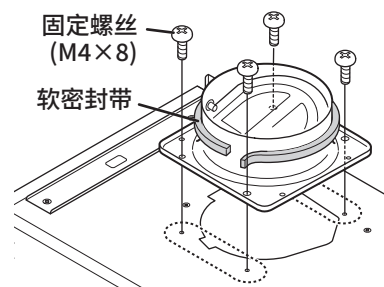
3 卸下油面板

- 1) 将油面板固定至机身的两个螺丝拧松（①）。
- 2) 用双手撑住油面板，慢慢将其分离（②）。
- 3) 在右下图所示位置举起油面板后端，将其从机身上卸下（③）。



4 固定排气口 (仅限 FR-FS2270/90VP)

用提供的固定螺丝 (M4×8) 将提供的排气口固定好。然后在提供的排气口周围贴上提供的软密封带。



注意

连接排气口时, 应注意挡气板的开启方向。如果安装不当, 可能导致排气不畅、异常噪音等。

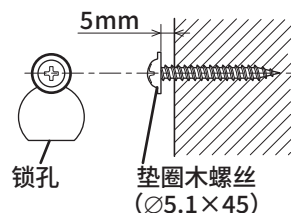


吸油烟机的安装

■ 壁挂式

1 将垫圈木螺丝拧入墙面

参考第 28 页的“确认安装位置”, 将提供的垫圈木螺丝 (Ø5.1×45) 插入安装架左右锁孔的安装壁中。在墙壁和螺丝头之间留出约 5mm 的间隙, 以便悬挂吸油烟机。

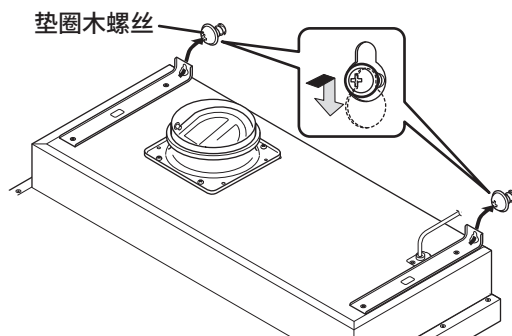


注意

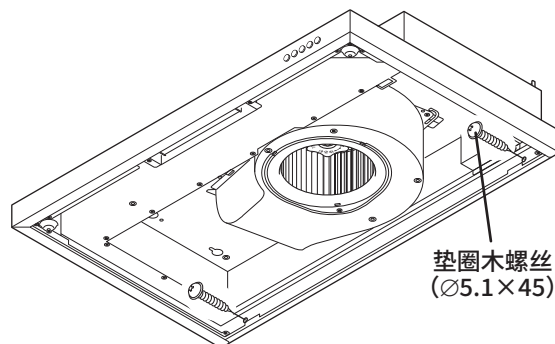
如需加固, 请与安装服务商联系安排。

2 安装吸油烟机

1) 将吸油烟机的锁孔对准提供的垫圈木螺丝, 并拧紧螺丝。



2) 将提供的 2 个垫圈木螺丝 (Ø5.1×45) 牢牢固定在吸油烟机的后端。



3 连接排气管和排气口

(仅限 FR-FS2270/90VP)

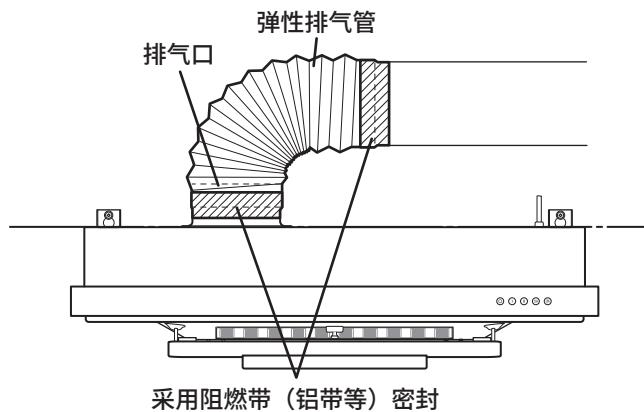
将 $\varnothing 150$ 弹性排气管或类似零部件与提供的排气口相连接。

使用阻燃带，如铝带等（不随机提供）固定提供的排气口，并保证其气密性。

注意

排气管越长，通风效果越差。

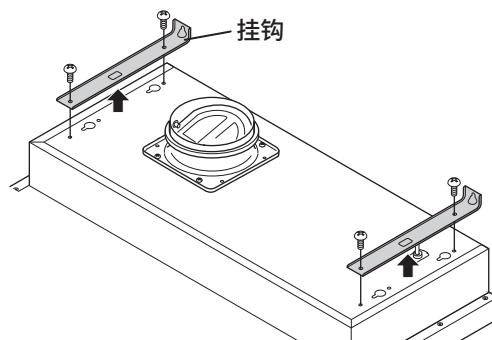
完成此操作后，继续第 33 页的“将卸下的零部件重新组装起来”。



■ 上侧安装

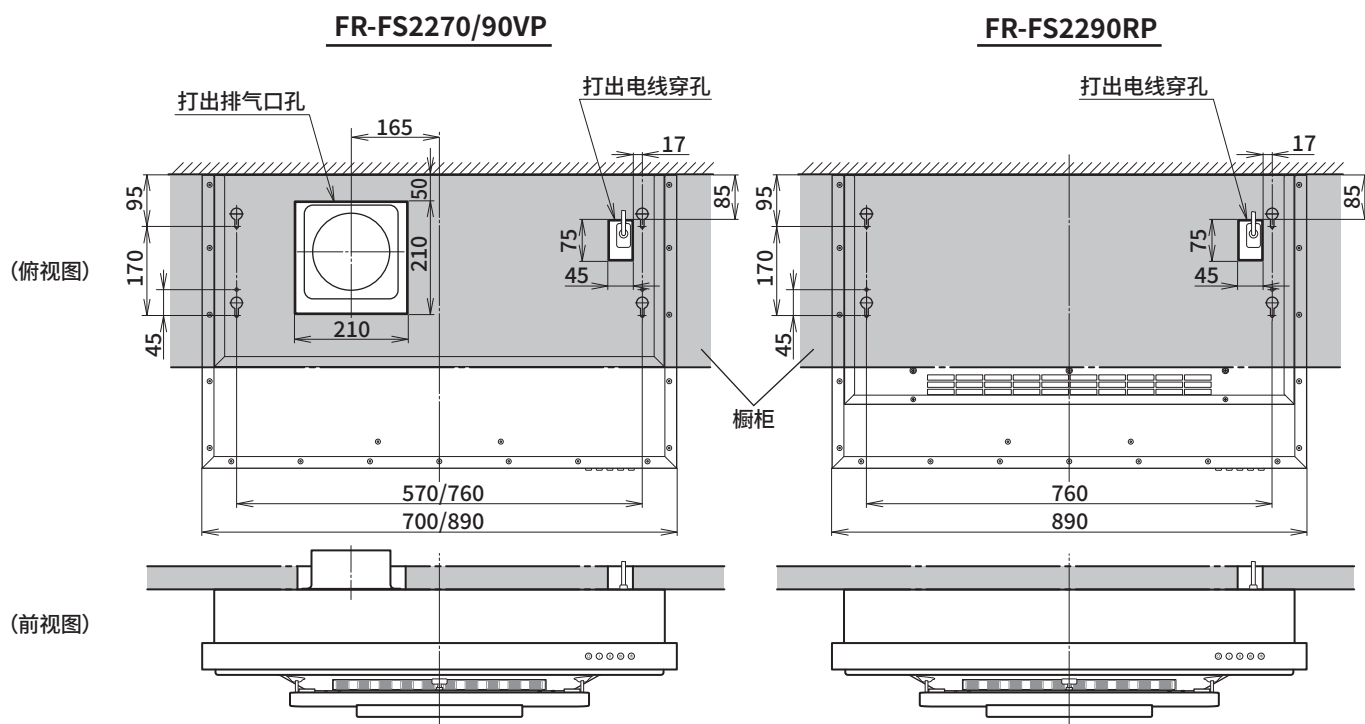
1 从吸油烟机上卸下挂钩

卸下连接在吸油烟机上两侧的挂钩。



2 在安装面（橱柜）上打孔

参考下图，在安装面（橱柜）上打孔，用于敷设电线和当作排气口（仅限 FR-FS2270/90VP）。

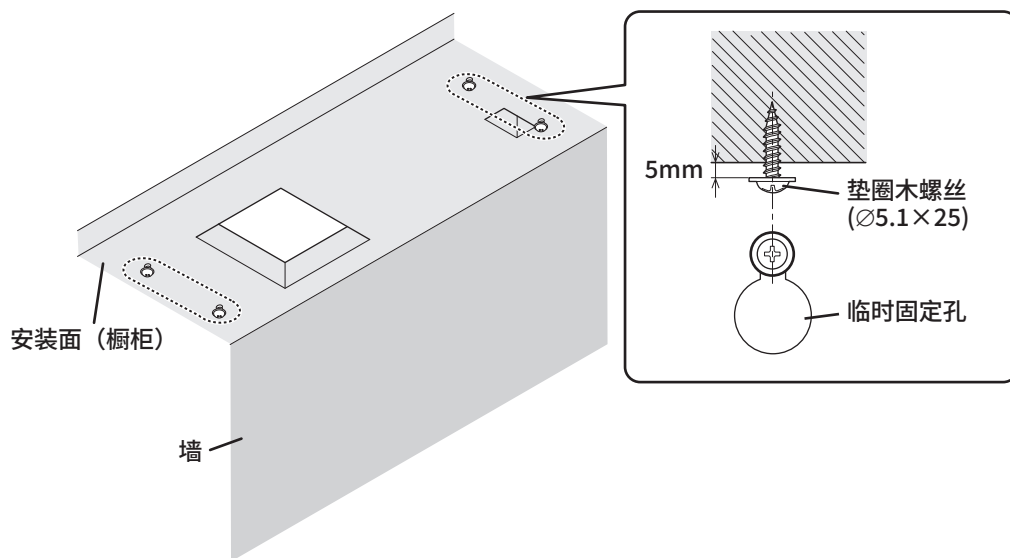


3 将垫圈木螺丝拧入安装面

参考第 28 页的“确认安装位置”，将提供的垫圈木螺丝（ $\text{Ø}5.1 \times 25$ ）插入主机上侧锁孔的安装面。在墙壁和螺丝头之间留出约 5mm 的间隙，以便悬挂吸油烟机。

注意

如需加固，请与安装服务商联系安排。



4 在安装面上安装吸油烟机（橱柜）

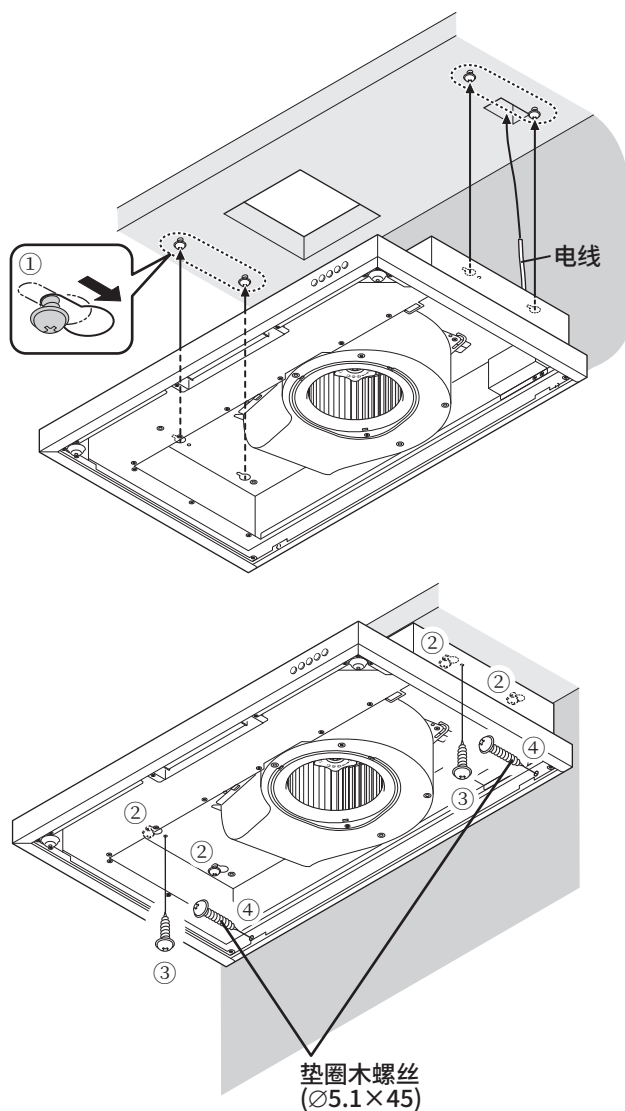
1) 如右侧所示，将吸油烟机上侧的临时固定孔对准上述安装好的螺丝插上去，并将临时固定孔滑至螺丝的底端（①）。

* 牢牢端住吸油烟机，确保吸油烟机在此过程中不会掉落。

2) 将 4 个提供的垫圈木螺丝（ $\text{Ø}5.1 \times 25$ ）完全拧入临时固定孔中（②）。

3) 将提供的 2 个垫圈木螺丝（ $\text{Ø}5.1 \times 25$ ）拧入吸油烟机上侧的 2 个圆孔中，位置如右图所示（③）。

4) 将提供的 2 个垫圈木螺丝（ $\text{Ø}5.1 \times 45$ ）拧入主机后侧的孔中，位置如右图所示（④）。



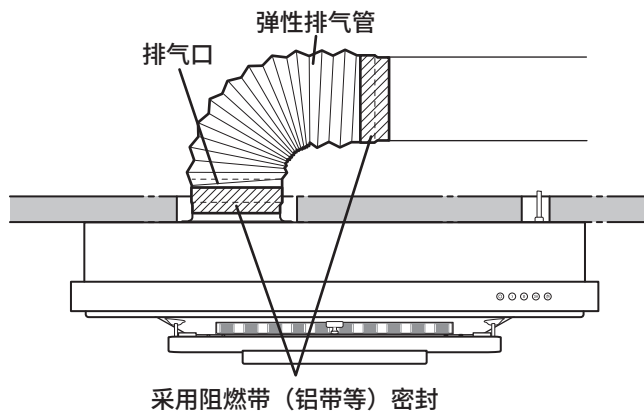
5 连接排气管和排气口 (仅限 FR-FS2270/90VP)

将 $\varnothing 150$ 弹性排气管或类似零部件与提供的排气口相连接。

使用阻燃带，如铝带等（不随机提供）固定提供的排气口，并保证其气密性。

注意

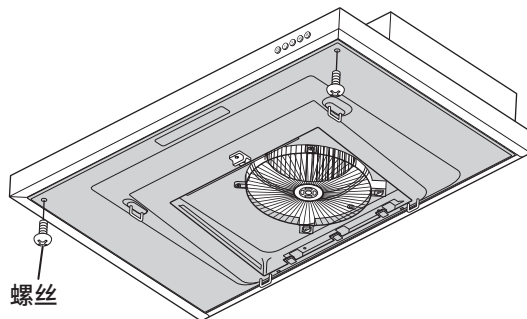
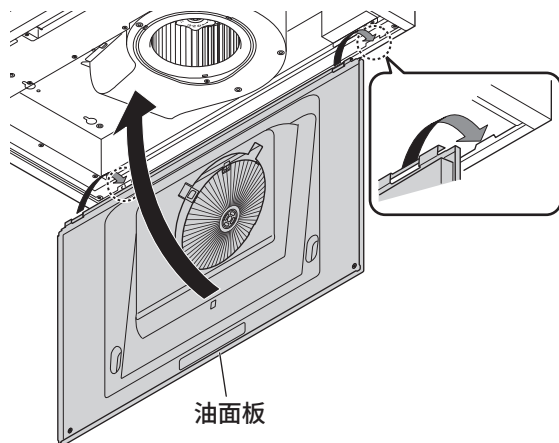
排气管越长，通风效果越差。



将卸下的零部件重新组装起来

1 安装油面板

将油面板的后端卡住凹槽，然后抬起其前部。握住油面板，用 2 个螺丝将其固定。

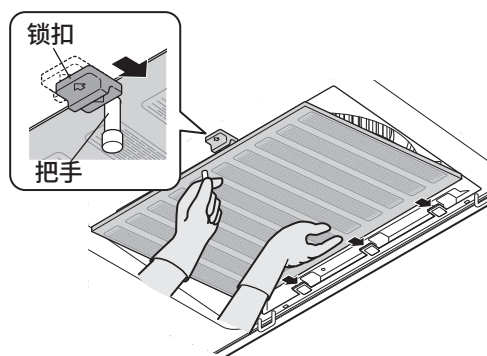


2 安装过滤网

将主机搭扣插入过滤网后侧，然后将过滤网前侧推到主机上。向后滑动锁扣，将过滤网固定就位。

注意

安装过滤网时，务必用手握住过滤网。否则，过滤网可能会掉落，并导致人员受伤。

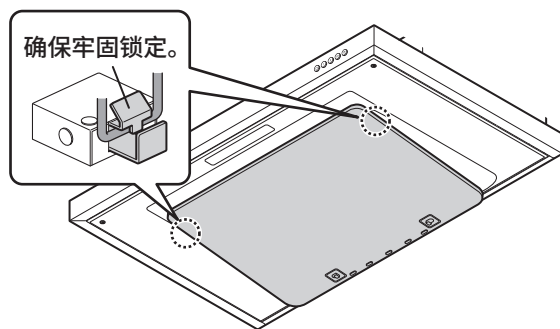
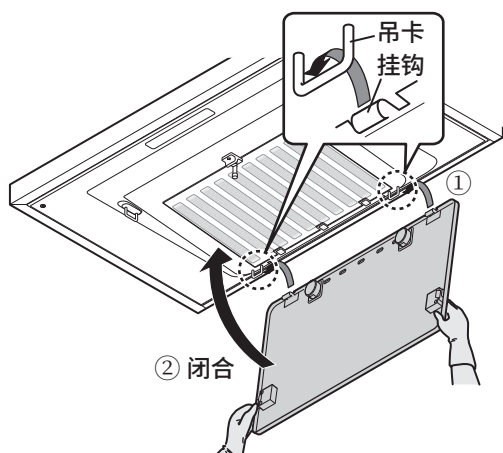


3 安装整流板

- 1) 将整流板后端的左右挂钩牢固吊挂在吸油烟机的吊卡（①）上。
 - 2) 双手一边撑住整流板，一边向上举起前端直到发出“咔哒”声，然后将其固定（②）。
- 安装完成后，上下拉动一下整流板，确保其不会掉落。

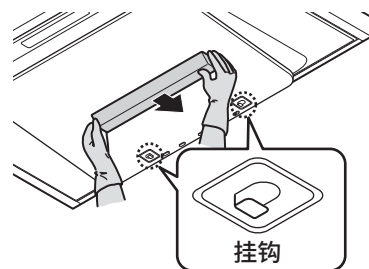
注意

为避免因未锁好而导致固件脱落，请务必保证整流板固定到位。



4 安装油杯

将提供的油杯安装到整流板上。将提供的油杯的 2 个凸出部对准整流板的安装挂钩，插入，向后滑动，并将其固定。



运行检查

关闭配电盘上的断路器，然后将电源插头插到插座上。

将断路器打开后，再将吸油烟机打开，检查其运行情况。有关操作按键和运行状态，请参考第 26 页说明。

- 吸油烟机运转时，检查叶轮各档是否正常。
- 经检查，确认无异常噪声或振动。

维修保养

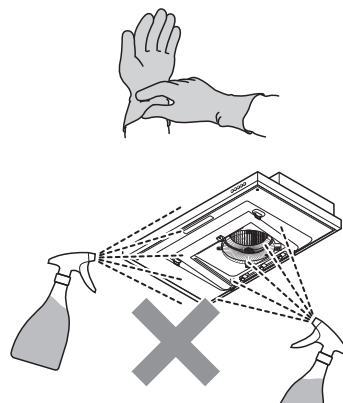
因吸油烟机容易附着油污，因此应经常清洁吸油烟机（尤其是每月至少清洁一次过滤网。如果一户人家每天至少做两顿饭，则应每两周就清洁一次过滤网）。

如果长时间不清洁，吸油烟机上将会积聚大量油污，形成难以去除的油脂硬块。

油杯、吸油烟机四周、整流板如有油污，应及时清洁（清洁频率：约每月一次）。

维修保养注意事项

- 清洁吸油烟机前，务必从插座上拔下电源插头，或关闭断路器。
- 为安全起见，清洁过滤网等零部件时，应戴好橡胶手套。
- 特别注意，防止将水泼到电机、操作按键、接插件之类的电器零部件上。请勿向电器零部件喷洒任何类型的洗涤剂。否则会造成故障。
- 请勿用例如稀释剂之类的溶剂、苯类、抛光粉等清洁涂漆表面、油面板等，否则会使这些零部件失去光泽或造成划痕。
- 请勿用硬毛刷之类的物品擦洗各零部件，否则会使零部件受损。
- 如果不按照说明书规定进行清洗，吸油烟机可能存在起火危险。



拆卸 / 安装需要清洗的零部件

请按照与拆卸时相反的步骤，安装各零部件。

油杯

■ 拆卸

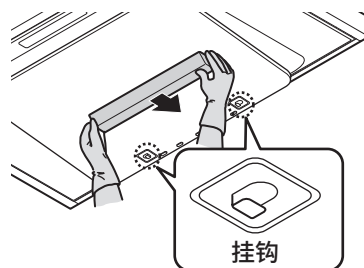
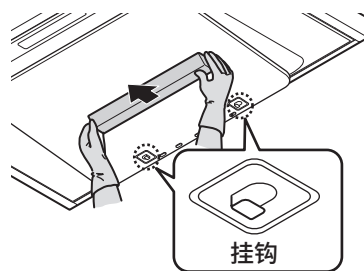
将2个突出部从整流板挂钩中拉出，以拆下油杯。拆卸时，确保油杯内的油不会溢出或洒出。

注意

短时间内可能不会积聚大量废油脂，这取决于使用频率，这属于正常现象。

■ 安装

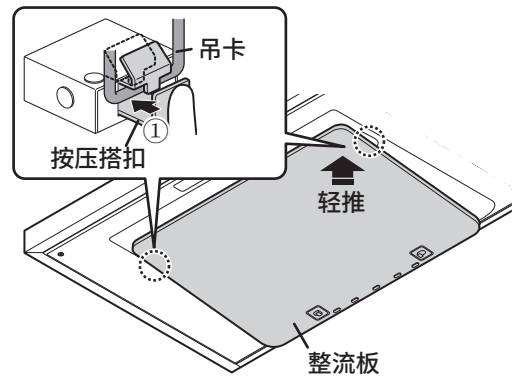
将油杯安装到整流板上。将油杯的2个突出部与整流板的安装挂钩对齐。插入突出位置，向后滑动油杯并将其固定。



整流板

■ 拆卸

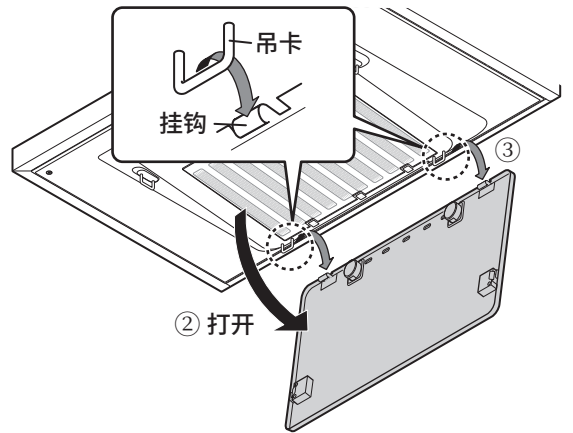
1) 用双手撑住整流板，同时轻轻上推。按压整流板的左右的搭扣，将其卸下（①）。



2) 用双手支撑打开整流板，同时慢慢地将其卸下（②）。

3) 将整流板后端抬起，位置如右下图所示，将其从吸油烟机的吊卡上卸下（③）。

* 请一定同时卸下左右两处。否则会造成金属零部件变形。

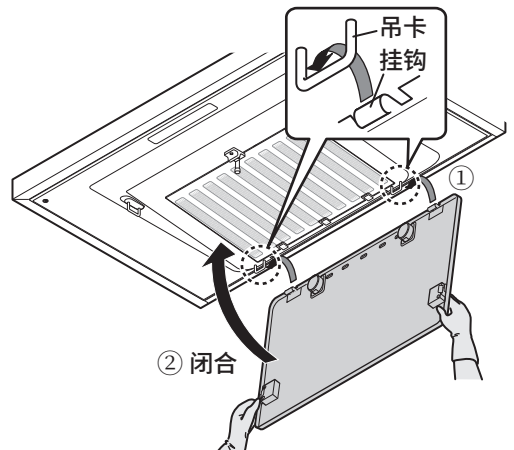


■ 卸下

1) 将整流板后端的左右挂钩牢固吊挂在吸油烟机的吊卡上（①）。

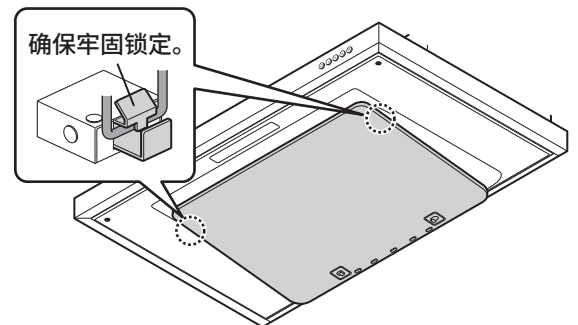
2) 双手一边撑住整流板，一边向上举起前端直到发出“咔哒”声，将其固定（②）。

安装后，上下拉动一下整流板，确认其安装牢固不会脱落。



注意

为避免因未锁好而导致固件脱落，请务必保证整流板固定到位。



过滤网

■ 拆卸

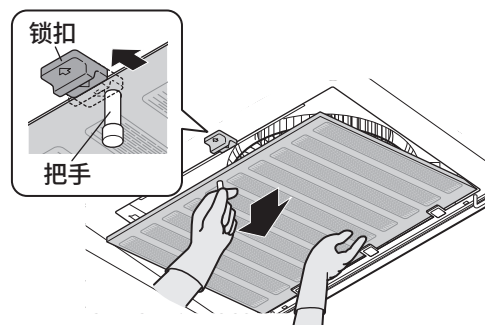
握住过滤网的把手，向前滑动锁扣，将其拆下。

向前移动拉出过滤网，同时用手撑住，确保其不会掉落，然后将其从主机底部的三个挂钩上拆下。

注意

拆卸过滤网时，务必用手握住。

否则，过滤网可能会掉落，进而导致受伤。



过滤网的拆卸 / 组装

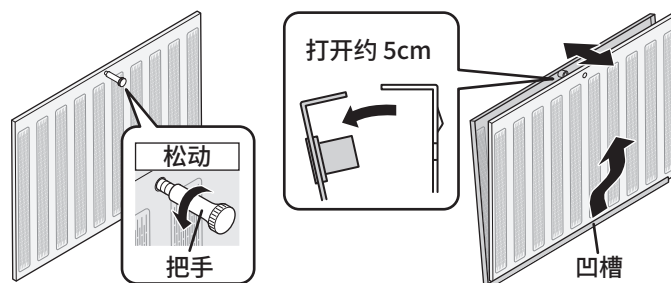
FR-FS2290RP (内循环型)：仅适用于双滤网

【拆卸】

1) 按松开方向，转动把手，将其拆下。

* 请勿弄丢拆下的把手。

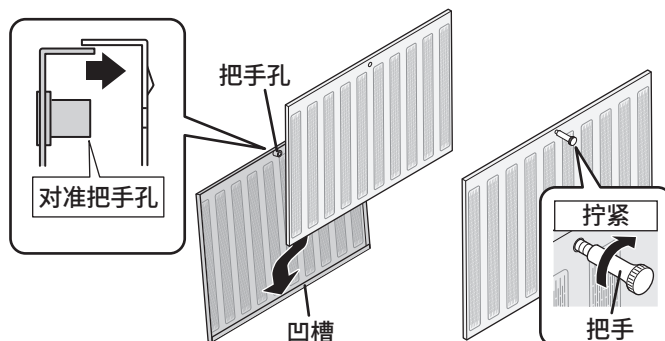
2) 将上侧（螺孔所在位置）打开约 5cm，然后将过滤网从底部的凹槽中拉出，将其拆下。



【组装】

1) 使过滤网的把手孔对准同一位置，将过滤网安装到凹槽中。

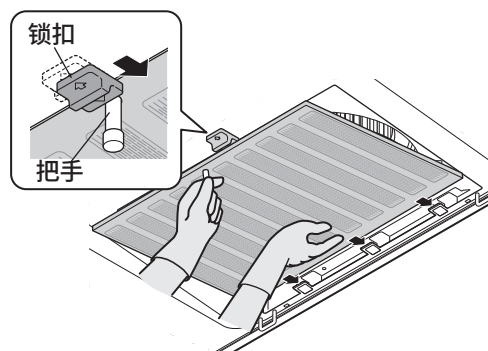
2) 按拧紧方向，转动把手，使其固定到位。



■ 安装

将主机挂扣插入过滤网后侧，然后将过滤网前侧推到主机上。

向后滑动锁扣，将过滤网固定到位。



清洁

机身

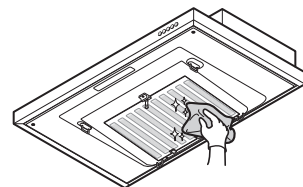
使用中性清洁剂和软布进行清洁。

严禁使用有机溶剂。清洁后，用蘸水的湿布擦拭吸油烟机，去除所有残留的清洁剂，最后用干布彻底擦掉所有水分。

油杯 / 整流板 / 过滤网

使用中性清洁剂和软布进行清洁。

严禁使用有机溶剂。清洁后，用水冲洗干净，去除所有残留的清洁剂，最后用干布彻底擦掉所有水分。

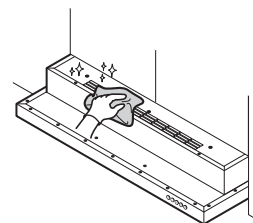


注意

清洁整流板时，应将其放在平坦表面上，避免导致任何变形。

排气口 / 橱柜 (仅限 FR-FS2290RP)

如未定期清洁整流板和过滤网，油污可能会积聚在排气口或橱柜上。如在排气口或橱柜处发现油污，请使用中性洗涤剂 and 软布擦拭。请勿使用有机溶剂。清洁后，用蘸水的湿布擦拭排气口或橱柜，擦干净洗涤剂，最后用干布彻底擦掉所有水分。



叶轮

关于叶轮的清洁，请咨询富士帝或代理商。

维修保养

其他信息

其他信息

规格

FR-FS2270/90VP (外排型)

额定电压 (V)	档位	额定频率 (Hz)	消耗功率 (W)	风量 (m ³ /h)	噪声 (dB)
220	高档	50	105	545	50
	中档		75	420	45
	低档		55	330	39
230	高档	50	110	555	51
	中档		80	440	46
	低档		60	350	40
240	高档	50	115	565	52
	中档		85	460	47
	低档		65	370	41

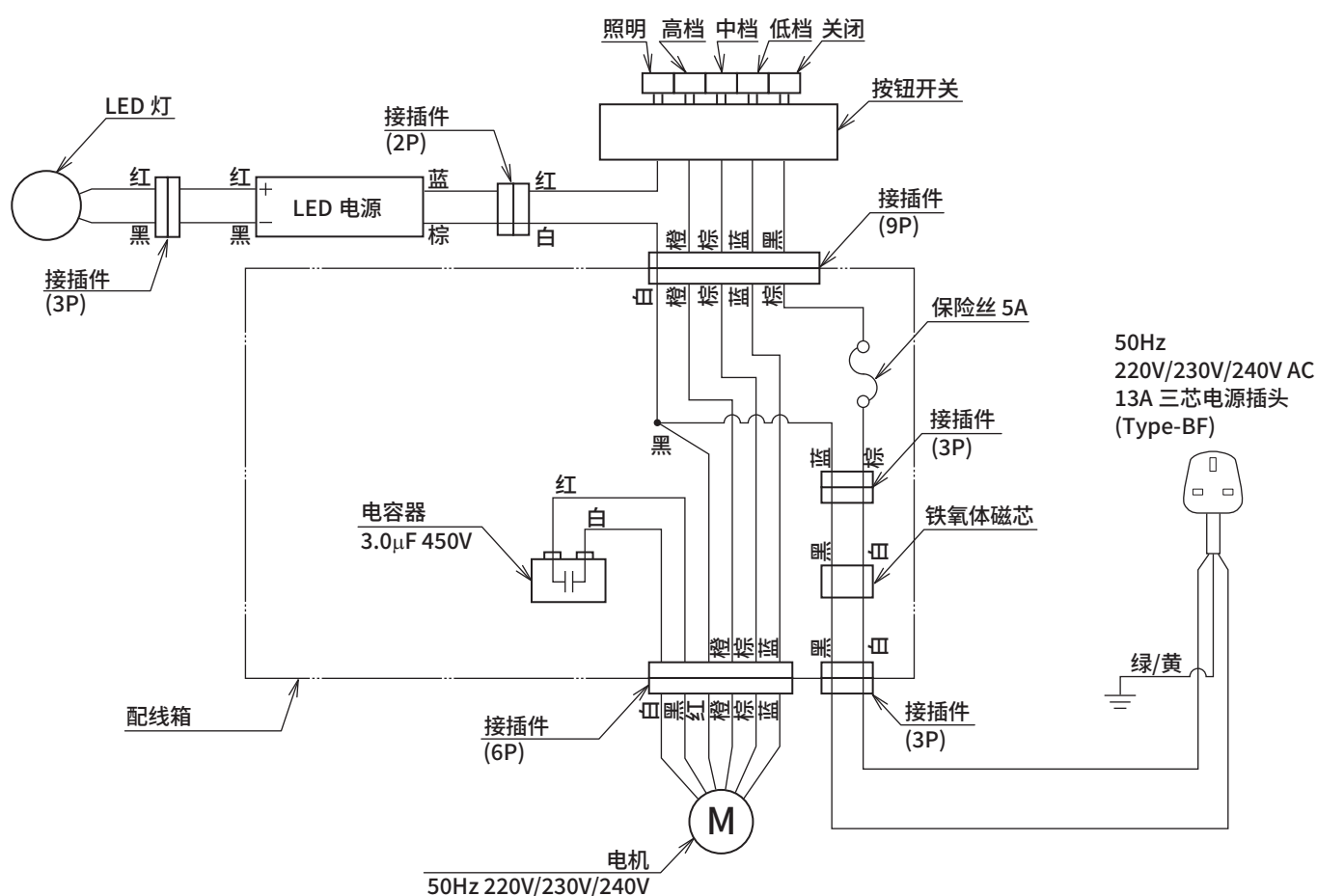
* 消耗功率含照明灯 3.5W

FR-FS2290RP (内循环型)

额定电压 (V)	档位	额定频率 (Hz)	消耗功率 (W)	风量 (m ³ /h)	噪声 (dB)
220	高档	50	90	395	53
	中档		65	340	49
	低档		50	285	45
230	高档	50	95	400	53
	中档		70	350	50
	低档		55	300	46
240	高档	50	100	405	53
	中档		75	360	51
	低档		60	310	47

* 消耗功率含照明灯 3.5W

电路图



其他信息

修理与保修

申请维修：

在操作过程中如果发生异常，应立即关掉吸油烟机进行检查：

- 1) 保险丝是否熔断了？
- 2) 电源插头与插座的连接是否正确？

若确认不是上述问题，请立即拔下电源插头，与当初购买本机时的销售商联系。与销售商联系时，需说明产品型号及购买日期。

5 years

- 本型号机停止生产后仍可提供维修所需性能零部件的最低保证期为 5 年。

性能零部件是指维持吸油烟机正常使用功能所必需的基本零部件。

对于相同类型可互换零部件的提供保证期可再延长 4 年。

在对使用不产生影响的前提下，我们将按照您的要求选用这些零部件进行维修。

- 为提高吸油烟机性能，有可能在不预先通知的情况下进行产品零部件的更新。

全球网站

www.fujioh.com

FUJIOH INTERNATIONAL TRADING PTE. LTD.

东南亚地区总部

3014A Ubi Road 1 #06-04, Singapore 408703

Tel : (65) 6286 3286 Fax : (65) 6285 3285

E-mail : fit@fujioh.com.sg