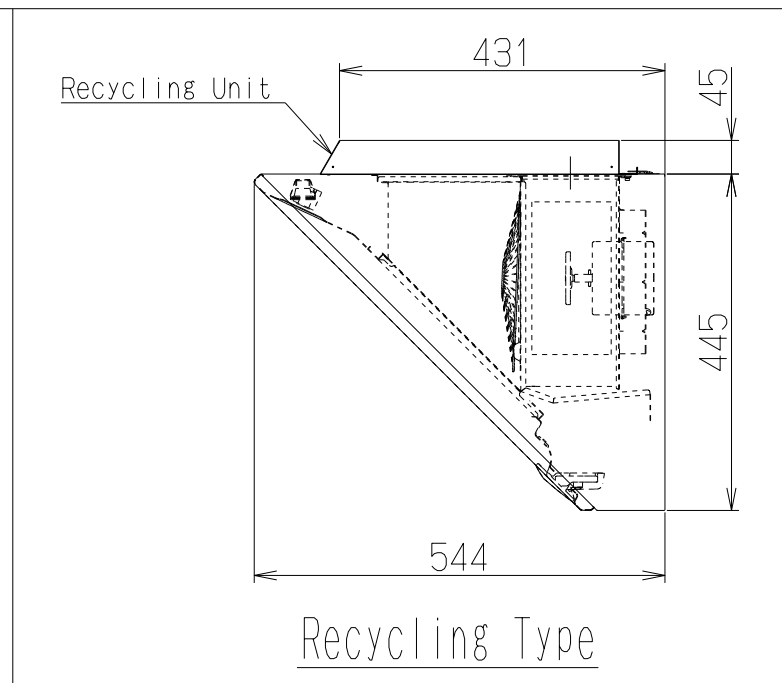
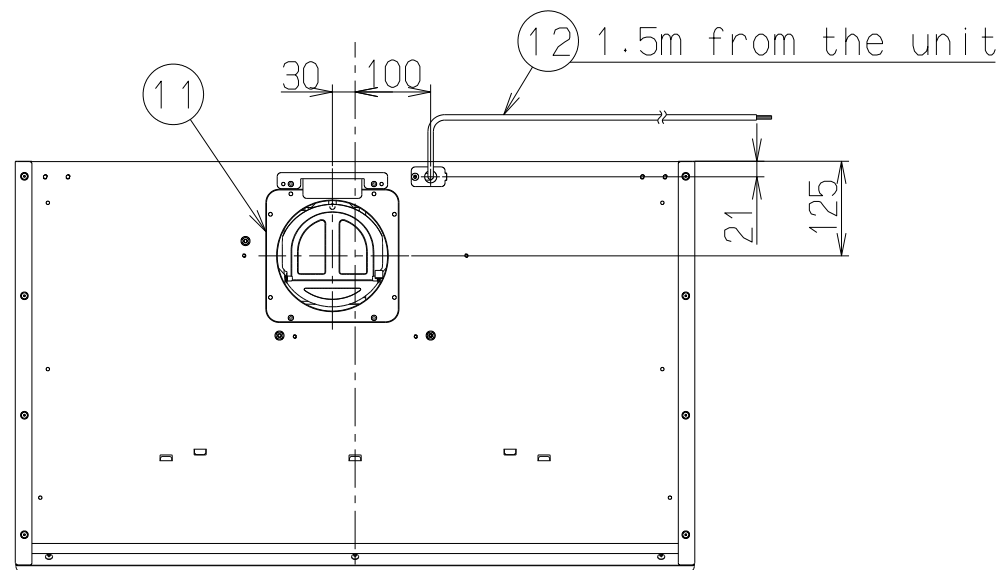
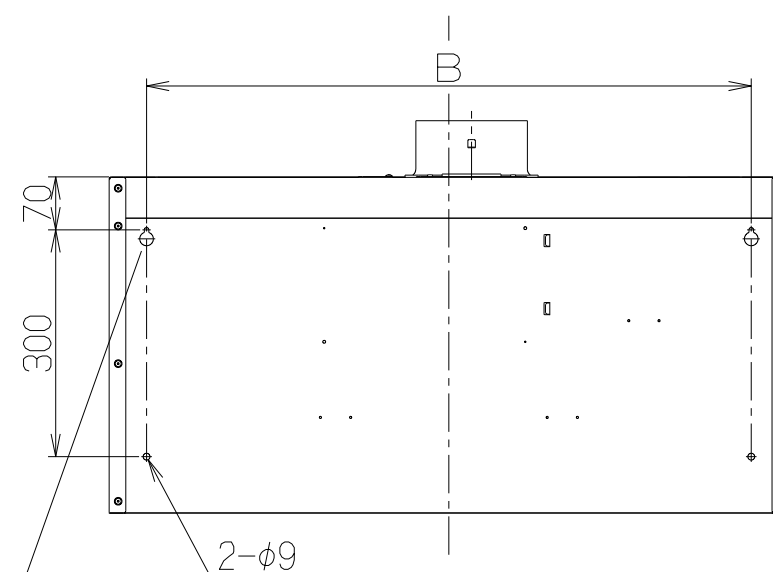
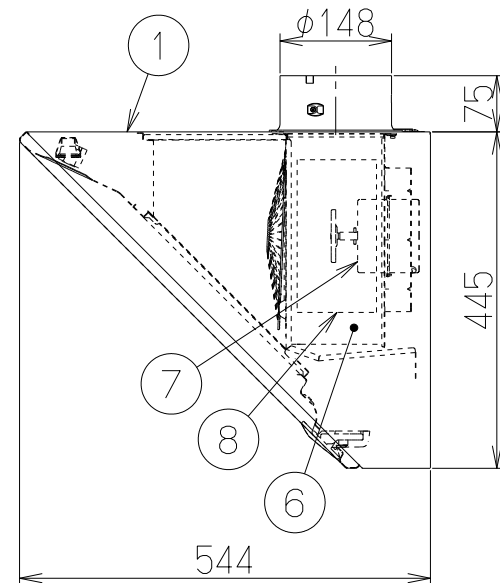
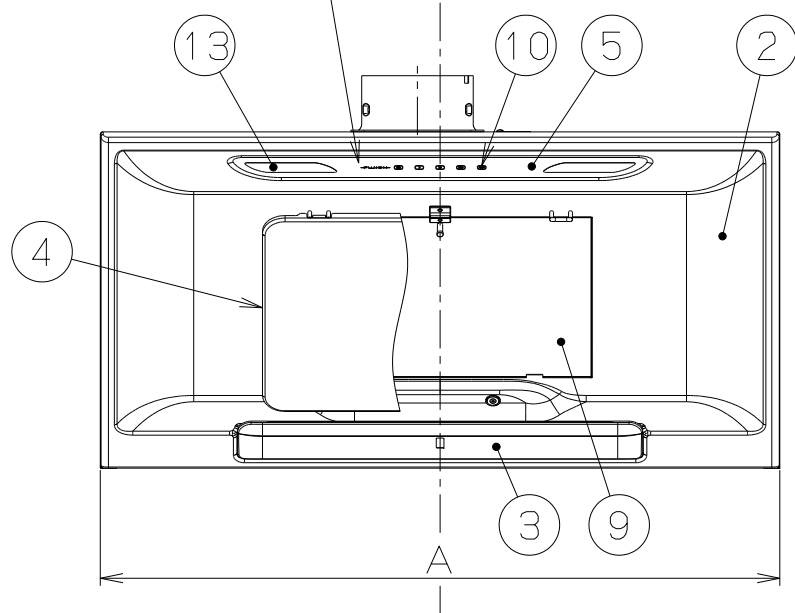


Mark	Revised record	Date
△		

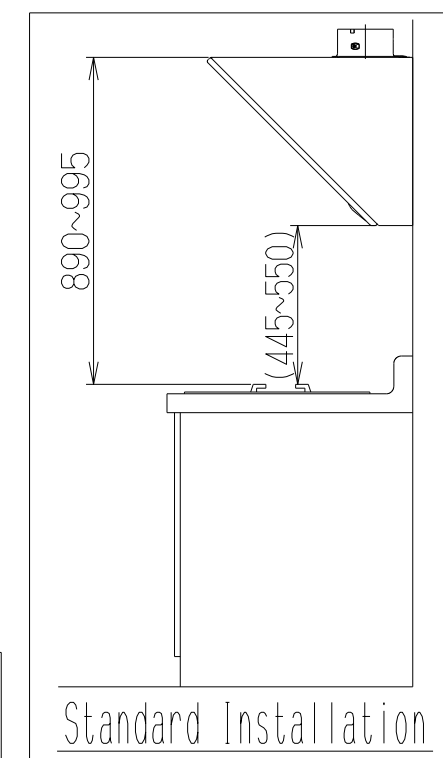


Major Parts				
No.	Parts	Material	Finish	Color
1	Hood body	Galvanized steel	Oil repelling painting	Refer to column.
2	Oil panel	Galvanized steel	Oil repelling painting	Refer to column.
3	Oil tray	Galvanized steel (Plastic inside)	Oil repelling painting	Refer to column.
4	Rectifier baffle panel	Galvanized steel	Oil repelling painting	Refer to column.
5	Glass panel	Tempered glass		Black
6	Blower unit	Galvanized steel		
7	Motor	4 pole capacitor motor, class B		
8	Fan	Galvanized steel (Sirocco Fan)	Super kirei coating	
9	Filter	Galvanized steel	Hydrophilic painting	Aqua Slit Filter
10	Switch	Static electrical switch	Timer (3 min), Low, Med, Hi, Light	
11	Exhaust port	Galvanized steel	Shutter is attached.	*Accessories
12	Power supply cord	Cable (without a plug)		
13	Lighting	LED (Daylight color, 1.5 W) x 2 pcs		

Logo mark



Accessories  
 Round washer head Screw (φ5.1 x 45mm) -----4pcs  
 Soft tape-----1pc

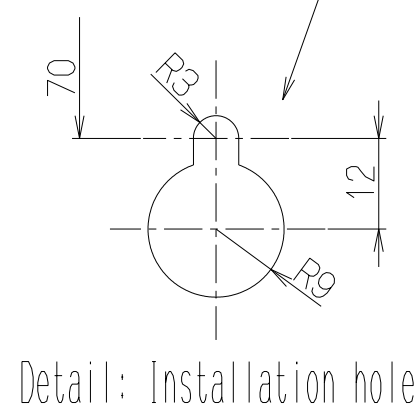


Specifications

Model	Voltage (V)	Speed	Frequency (Hz)	Power Consumption (W)	Airflow (m³/h)		Sound (dB)	Weight (kg)
					0 Pa			
FR-SC2090 FR-SC2011	220	Hi	50	160	700	---	55	21.0 23.0
		Med		125	625	---	52	
		Low		85	460	---	45	
	230	Hi	50	170	705	---	55	
		Med		135	635	---	53	
		Low		95	485	---	46	
240	Hi	50	180	710	---	56		
	Med		140	650	---	53		
		Low		100	510	---	47	

Motor type	4 Pole capacitor motor	Insulation resistance: Over 10MΩ (500V megger)	Withstanding voltage: AC1000V for 1 min	Insulation class	B
------------	------------------------	--	---	------------------	---

Airflow measured by JIS C9603 chamber method



Detail: Installation hole

1000	1100	FR-SC2011 XW	1F9108HW	Oil Repellent Texture White	---
		FR-SC2011 XBK	1F9108HB	Oil Repellent Texture Black	---
		FR-SC2011 RS	1F9108AJ	Rich Silver	---
		FR-SC2011 SM	1F9108AA	Silver Metallic	---
		FR-SC2011 W	1F9108XP	White	---
800	900	FR-SC2090 XW	1F9107HW	Oil Repellent Texture White	---
		FR-SC2090 XBK	1F9107HB	Oil Repellent Texture Black	---
		FR-SC2090 RS	1F9107AJ	Rich Silver	---
		FR-SC2090 SM	1F9107AA	Silver Metallic	---
		FR-SC2090 W	1F9107XP	White	---
B	A	Model	Product code	Color	Note
		Created date	26/ 6/2020	Product category	Cooker Hood
		Updated date	18/10/2022	Model	FR-SC2090/11
FUJI INDUSTRIAL CO., LTD.		Scale	1/10	Product outline drawing	