

## HYBRID HOB/ FH-IC6020



**1** COMBINATION HOB  
LIMITED WARRANTY\*

### Limitless delicacies from two worlds of hobs

2種類のコンロで、美味しさ広がる。

Transform your kitchen into a food haven with our 2-in-1, sleek looking hybrid hob with induction and ceramic cooktops at your fingertips. Fitting the best of both worlds of hobs luxuriously within your budget, pampering your family with an array of scrumptious cuisines and delicacies has never been easier.

Combined with the bevelled edge and SCHOTT CERAN Ceramic Glass, our 2-in-1 hob enhances the ultimate statement of style in your dream kitchen while keeping cleaning a breeze after every use.



## ADVANCED FUNCTIONS

### 01/ 2-in-1 Hob



The luxury to choose induction hob or ceramic hob at your fingertips.

### 02/ Bevelled Edge



The ultimate statement of style that brings out the beauty of your hob.

### 03/ SCHOTT CERAN® Glass



The ceramic glass that combines easy care and durability.

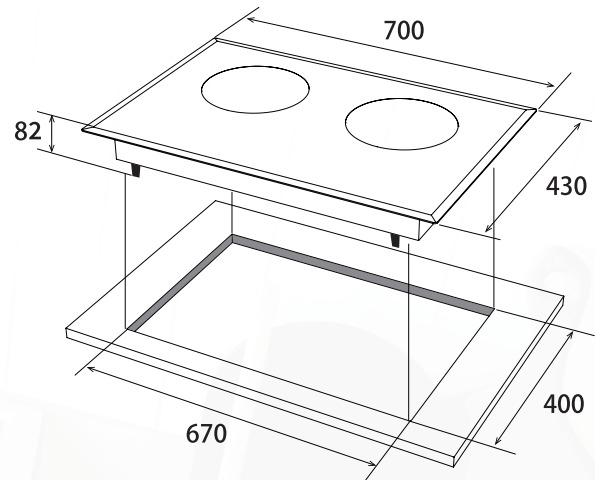


## MODEL



**FH-IC6020**

## INSTALLATIONS



FH-IC6020 [mm]

## SPECIFICATIONS

Type	Induction	Ceramic
Touch Control	Yes	
Timer	180 min	
Power Setting	9 step	
Child Safety Lock	Yes	
Residual Heat Indicator	Yes	
Auto Switch Off	Yes	
Pan Sensor	Yes	-
Glass	SCHOTT CERAN®	
Cooking Zones	1 Zone	
Zone Size [mm]	180	200
Installation Method	Built-in or Free Standing on Table Top (equipped with base legs)	
Color	Black	
Dimensions [mm]	W700 x D430 x H82	
Cut Size [mm]	W670 x D400	
Weight [kg]	7.7	
Voltage [V/Hz]	220-240V / 50-60Hz	
Power [kW]	(1.4~1.8) × 2 = max 3.2	
Ampere required (Base on 230V)	15	

