

# **-FUJIOH-**

Operating / Installation Manual

**FZ-WH5033N**  
**FZ-WH5033NR**  
**FZ-WH5033D**  
**FZ-WH5033DR**

Please read this manual carefully  
before using this appliance.

|  | <b>Pages</b>   |
|--|----------------|
| Introduction .....                             | <b>3</b>       |
| Important Safety Information .....             | <b>4</b>       |
| Part Contents Checklist .....                  | <b>5 - 6</b>   |
| Parts Description .....                        | <b>7 - 9</b>   |
| Rain Shower Accessory Installation Guide ..... | <b>10</b>      |
| Electrical Requirements .....                  | <b>11</b>      |
| Water Requirements .....                       | <b>12</b>      |
| Installation .....                             | <b>13 - 14</b> |
| Fitting The Shower Set .....                   | <b>15</b>      |
| Commissioning .....                            | <b>16 - 17</b> |
| Operating The Shower .....                     | <b>18</b>      |
| User Maintenance .....                         | <b>19</b>      |
| Troubleshooting .....                          | <b>20</b>      |
| Specification .....                            | <b>21 - 22</b> |

Congratulations!

Thank you for making excellent choice by purchasing the **Fujioh Instantaneous Water Heater**.

Please read these instructions carefully for optimum performance, necessary fitting and operating instructions.

Your **Fujioh Instantaneous Water Heater** has been manufactured in a ISO9001 registered company which provides you with assurances of its quality safety and environmental friendly.

### **Caution!**

Read all of these instructions and retain this guide for later use.

Pass on this guide in the event of change of ownership of the installation site.

Follow all warnings, cautions and instruction contained in this guide, and on or inside appliance.

Anyone who may have difficulty understanding or operating the controls of any shower should be attended whilst showering. Particular consideration should be given to the young, the elderly, the infirm, or anyone inexperienced in the correct operation of the controls as well as children should be supervised to ensure that they do not play with the appliance.

When this appliance has reached the end of its serviceable life, it should be disposed of in a safe manner, in accordance with current local authority recycling. or waste disposal policy.

## 1. Warning!

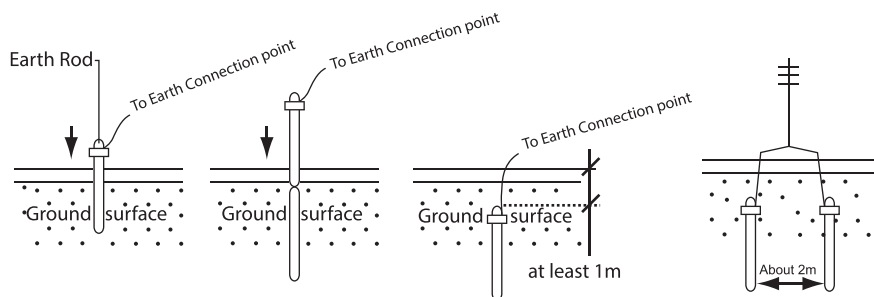
1.1. Products manufactured by us are safe and without risk provided they are installed, used and maintained in good working order in accordance with our instructions and recommendations.

### 1.2. THIS APPLIANCE MUST BE EARTHED, TO MAKE SURE EARTH WIRE AND HEATER UNIT HAVE PROPER GROUNDING IN HOUSEHOLD.

#### Earthing Requirement:

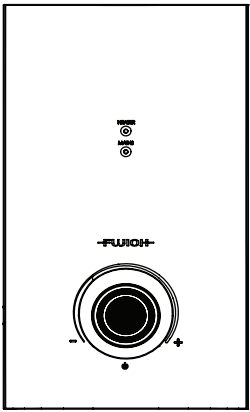
The Earthing installation should be carried out in accordance with the local Wiring Regulations. **Where EARTHING of the premises is not evident, it is necessary to run an EARTH CONDUCTOR and solidly connect an earth rod local to the installation.** The following notes are for guidance only:

- 1.2.1 Select a damp place to bury the earth rod.
- 1.2.2 Connect earth conductor of minimum 2.5mm<sup>2</sup> (7/0.67mm) to the appliances Earth (⊕) terminal. Connect other end of the earth conductor to the earth rod.
- 1.2.3 Check to ensure earthing resistance is less than 100Ω. It may be necessary to drive two or more rods and connect them together to achieve a satisfactory results.
- 1.2.4 Installation of earth rod must be carried out by a registered and certified wiring contractor.

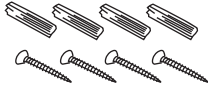


- 1.3. **DO NOT** allow the unit to be run dry.
- 1.4. **DO NOT** fit any form of outlet flow control as the outlet acts as a vent for the tank body. Once recommended outlet fittings should be used.
- 1.5. There are no user serviceable components beneath the cover of this appliance. Only a competent tradesperson should remove the cover.
- 1.6. If the cover is not correctly fitted and water has entered the case. Isolate the electrical and water supply before removing the cover.
- 1.7. Mains connections are exposed when the cover is removed.
- 1.8. Refer to the wiring diagram before making any electrical connections.
- 1.9. Ensure all electrical connections are tight, to prevent overheating.

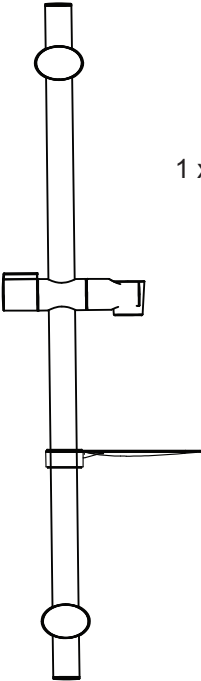
**Part Contents Checklist (For Unit C/W Hand Shower Accessories) 5**



1 x Fujioh Heater Unit

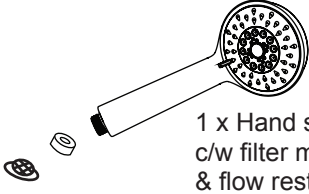


4 x Wall Plug & Screw Set

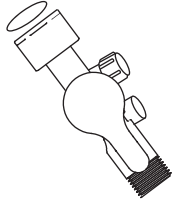


1 x Sliding Rail Set

2 x Wall Plug & Screw Set

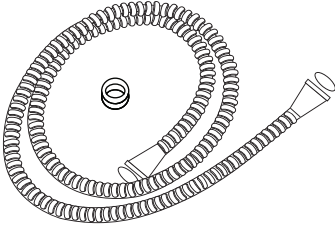


1 x Hand shower  
c/w filter mesh washer  
& flow restrictor



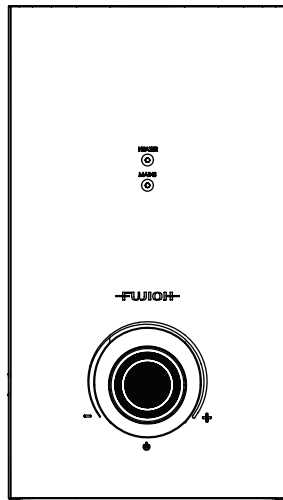
1 x Stop Valve  
c/w 1 pc washer

1 x Flexible Hose  
c/w 2 pcs washer (1 spare)  
& rubber grommet

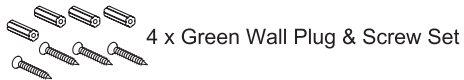


**Part Contents Checklist (For Unit C/W Rain Shower Accessories)**

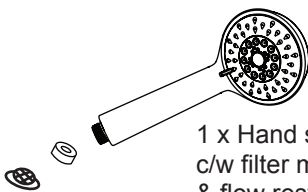
**6**



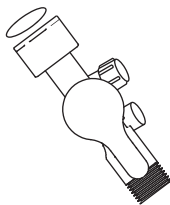
1 x Fujioh Heater Unit



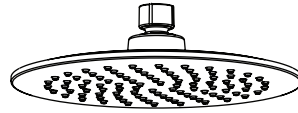
4 x Green Wall Plug & Screw Set



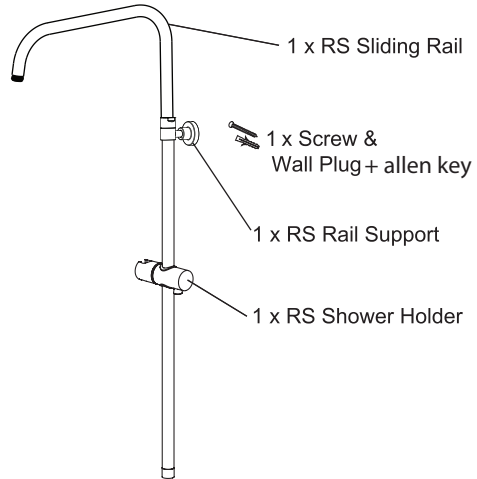
1 x Hand shower  
c/w filter mesh washer  
& flow restrictor



1 x Stop Valve  
c/w 1 pc washer



1 x RS Shower Head



1 x RS Sliding Rail

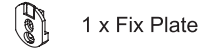
1 x Screw &  
Wall Plug + allen key

1 x RS Rail Support

1 x RS Shower Holder



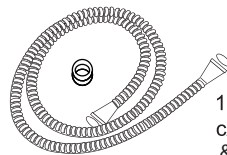
1 x Spout



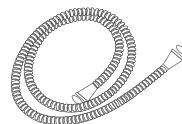
1 x Fix Plate



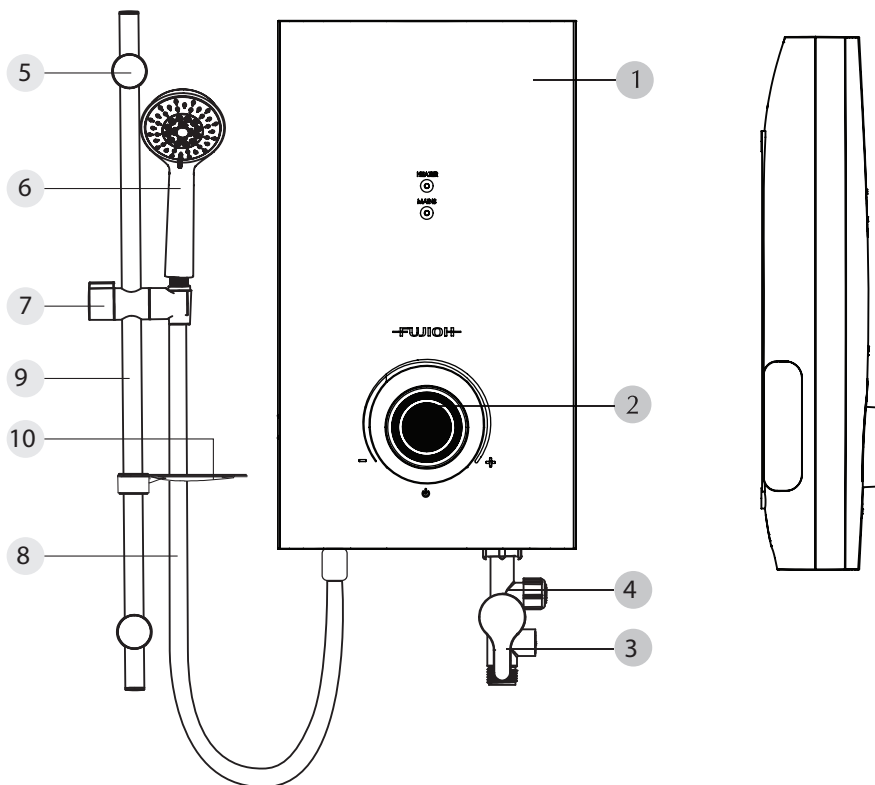
2 x Screw & White Wall Plug



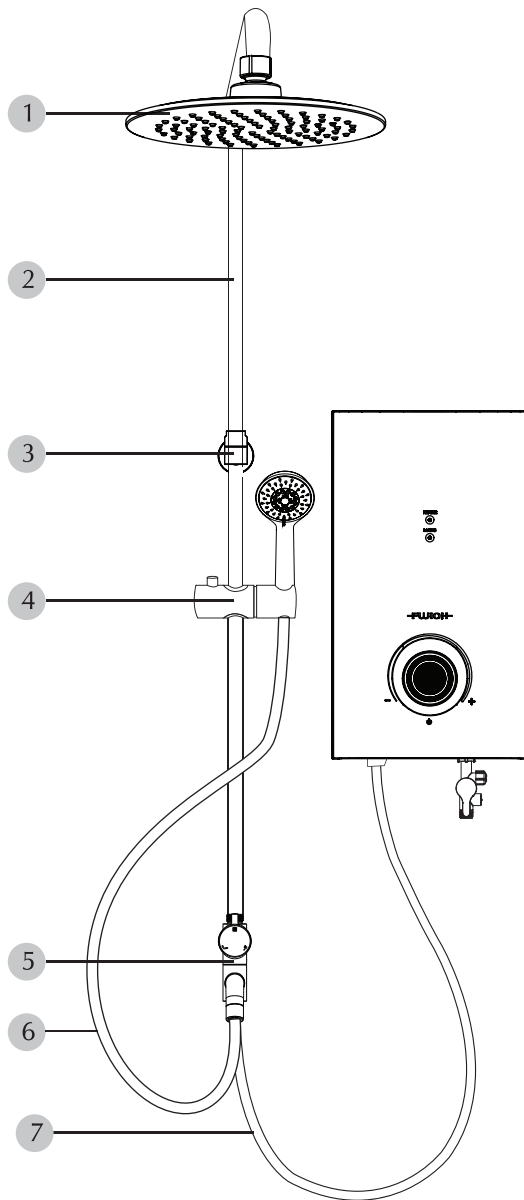
1 x 5' Flexible Hose  
c/w 2 pcs washer (1 spare)  
& rubber grommet



1 x 3' Flexible Hose  
c/w 2 pcs washer

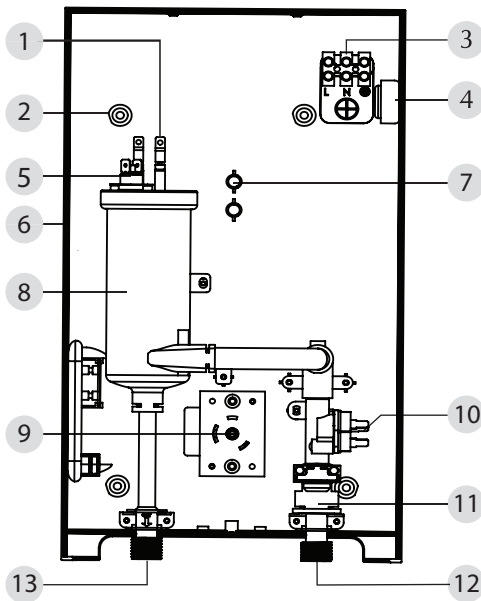


1. Heater Cover
2. Power Control Knob
3. Stop Valve
4. Regulator Valve
5. Rail Support (2 Nos)
6. Hand shower
7. Shower Holder
8. Flexible Hose
9. Sliding Rail
10. Soap Dish

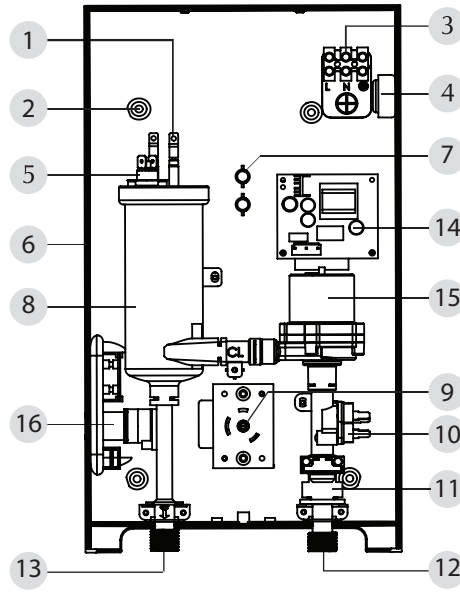


- 1. RS Shower Head
- 2. RS Sliding Rail
- 3. RS Rail Support
- 4. RS Shower Holder
- 5. Spout
- 6. 5' Flexible Hose
- 7. 3' Flexible Hose





None Pump Model



DC Pump Model

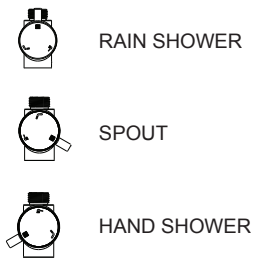
- 1. Heating Element
- 2. Mounting Holes (4 Nos)
- 3. Terminal Block
- 4. Cable Entry
- 5. Thermostat
- 6. Heater Base
- 7. Indicator Light
- 8. Water Tank

- 9. Electronic Control
- 10. Triac
- 11. Flow Switch Assembly
- 12. Water Inlet
- 13. Water Outlet
- 14. LVDC Board
- 15. DC Pump Assembly
- 16. Pump Speed Control

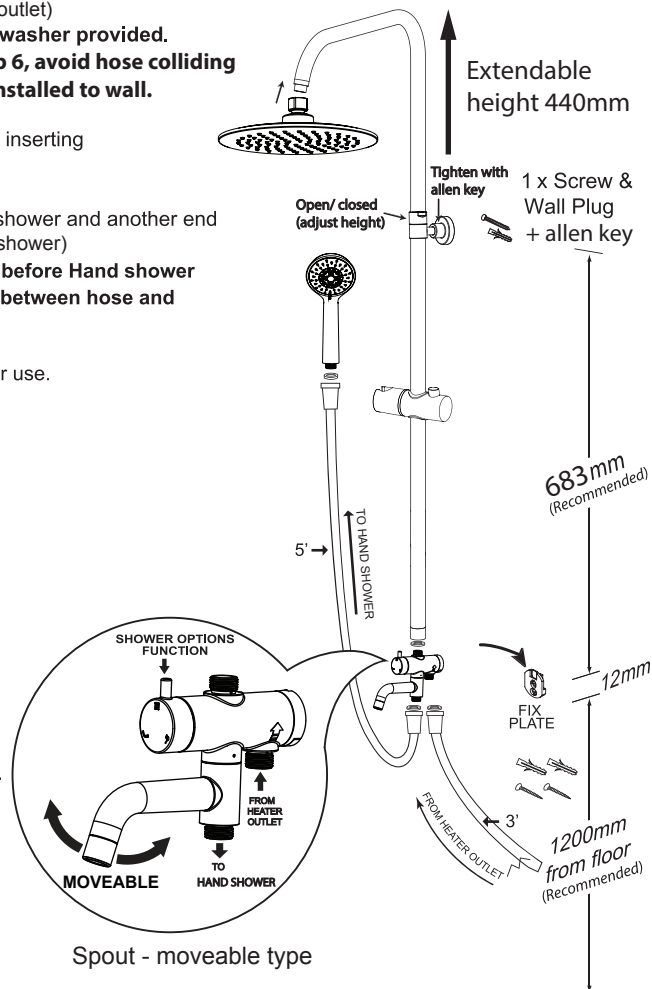
## Rain shower Accessory Installation Guide

10

1. Drill holes and insert wall plugs provided according to the recommended dimension as shown (3 holes).  
**Note: Height of the installation is at the discretion of the user.**
2. Secure the Fix Plate (2 units) with 3 screws provided.
3. Secure the Rain shower(RS) Shower Head to Rain shower(RS) Sliding Rail as shown.
4. Secure Spout to Rain shower(RS) Sliding Rail.  
**Note: Be sure to insert a rubber washer provided.**
5. Connect 3' Flexible Hose from heater outlet to bottom of Spout inlet (BOTTOM: from Heater outlet)  
**Note: Be sure to insert a rubber washer provided.**  
**Be sure do this before step 6, avoid hose colliding to the wall after spout is installed to wall.**
6. Fix the assembly into Fix Plates by inserting Spout to Rail Support into Fix Plate.
7. Connect 5' Flexible Hose to Hand shower and another end to Spout outlet (BOTTOM: to Hand shower)  
**Note: Be sure to insert a washer before Hand shower & rubber washer provided between hose and outlet of Spout.**
8. Rain shower assembly are ready for use.
9. SHOWER OPTIONS :



*\*Due to limitation on product's heating element power and rainy season (decrease in ambient temperature), the instant water heater with rain shower maybe running with higher water volume compared to hand shower, hence not be able to produce hot water to desired temperature. Users are advised to either, decrease the flow rate at stop valve or lower down the Pump Speed Control (for pump model).*

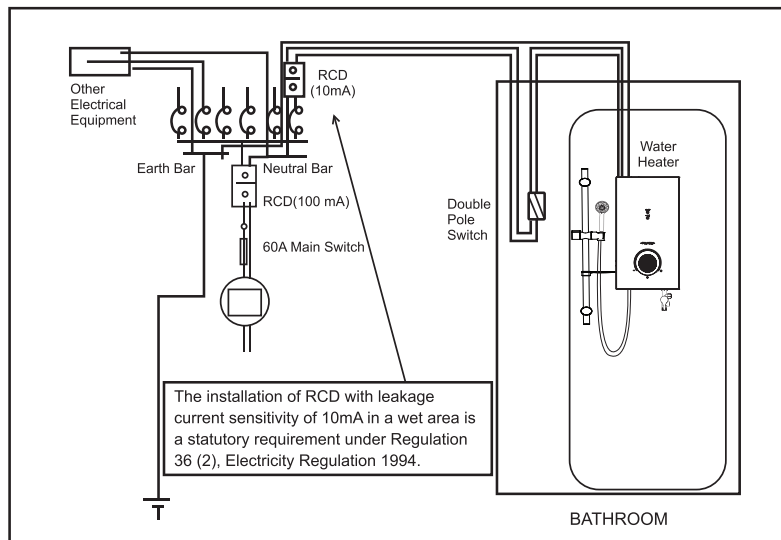


**WARNING**   
**THIS APPLIANCE MUST BE EARTHED**

- 1) Installation must be carried out by a qualified electrician.
- 2) The shower heater unit must be connected to its own independent electrical circuit.
- 3) Lead the power cable from the indoor fuse distributor board or Miniature Circuit Breaker (MCB) to a **10mA RCD** and from RCD to 'ON/OFF' Double-Pole switch outside the bathroom.  
Please refer to Bathroom General Wiring layout below.
- 4) The water heater must be permanently connected to the electricity supply through a double-pole linked switch having a contact of separation of at least 3mm in all poles incorporated in fixed wiring.
- 5) This switch must be out of reach of a person using a shower.
- 6) The use of a plug and socket is not recommended.
- 7) Correct size of wire conductor corresponding to different electrical loading should be used.  
(Refer cable size table below)

Cable Sizes Table

| Country   | Voltage (V~) | Power (kW) | Amperes (A) | Cable Size (mm <sup>2</sup> ) | Fuse / MCB (A) | ON / OFF Switch (A) |
|-----------|--------------|------------|-------------|-------------------------------|----------------|---------------------|
| Malaysia  | 240V ~ 50Hz  | 3.8        | 15.0        | 4.0                           | 20             | 20                  |
| Singapore | 230V ~ 50Hz  | 3.3        | 14.4        | 4.0                           | 16             | 20                  |



### Plumbing Schematic Diagram

An electric water heater can be fitted in your home regardless of the type of plumbing system as in most cases they can operate directly off the main cold water supply.

Fig. shows a typical system layout. Do not use jointing compounds on any pipe fittings for the installation.

The Unit works at minimum water flow rate of 2 litre/min.

### SITING OF THE SHOWER

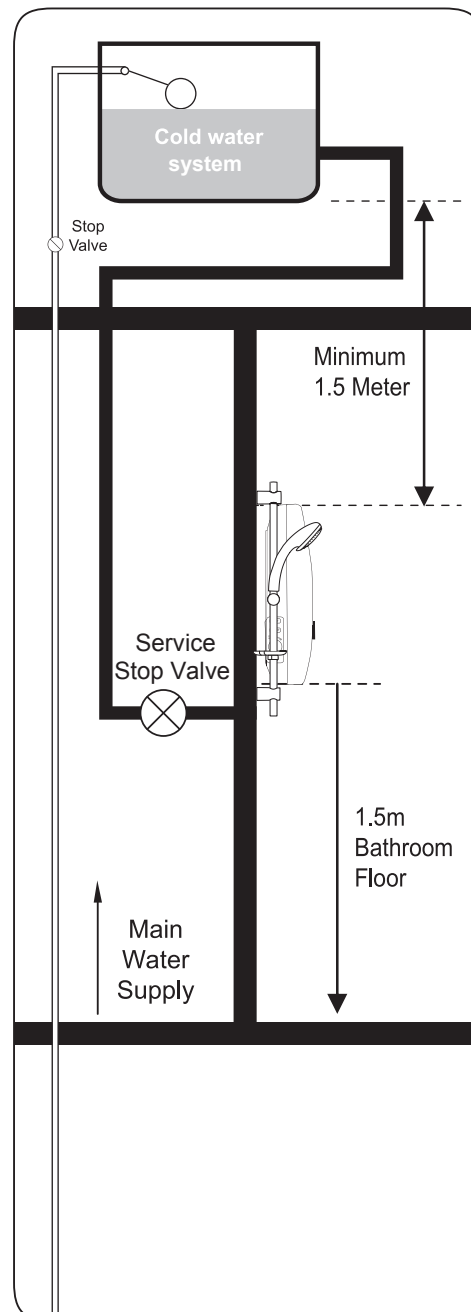
**WARNING:** The shower must not be positioned where it will be subjected to freezing conditions.

FOR EASE OF SERVICING, THE UNIT MUST ALWAYS BE MOUNTED ON THE SURFACE OF TILED WALLS. NEVER TILE UP TO THE UNIT.

This product is splash-proof rated and is approved for use in shower cubicles and over baths.

However, do not install the unit in a position where the sprayhead will consistently direct water over it.

The shower unit MUST be positioned vertically.



## FIXING THE SHOWER TO THE WALL

**Important:** The shower must be mounted on a flat surface which covers the full width and length of the backplate. It is important that the wall surface is flat otherwise difficulty may be encountered when fitting the cover and subsequent.

**1.1** Decide on a suitable position to allow for cover fit and removal.

Determine the direction that you require the inlet water supply and electrical cable to enter the unit from.

Determine the height at which you require the unit to be installed.

**1.2** Unscrew the cover retaining screws sufficient to remove the cover.

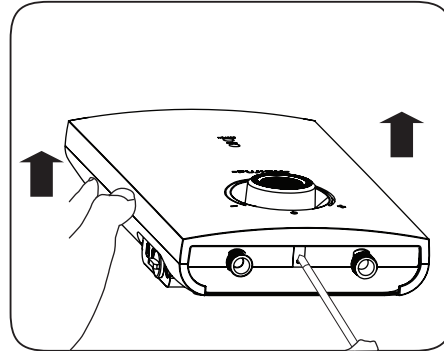
**Note!** The cover retaining screws are captive and should remain in the case.

**1.3** Remove the cover.

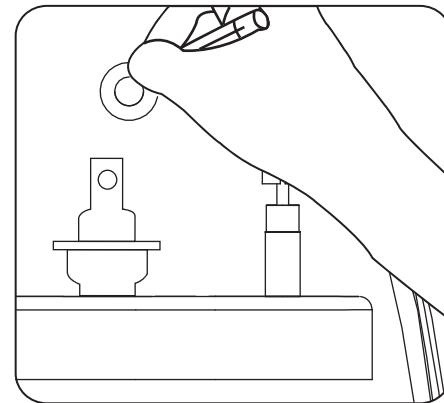
Mark the position of the unit on the wall. Mark the positions of the fixing holes. Make sure that sufficient electrical supply cable is available for connection to the terminal block.

**1.4** Drill the holes and insert the wall plugs provided. Secure the heater unit to the wall with the screws provided. Avoid drilling into any supply cable/pipe.

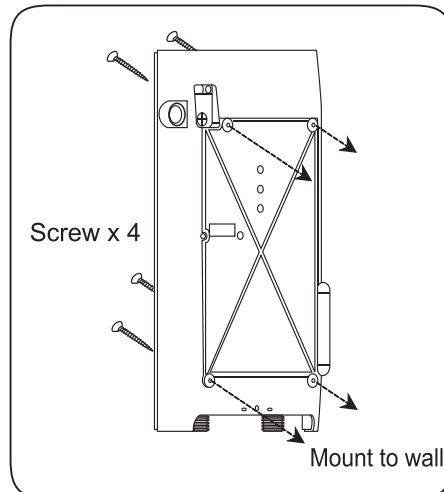
**Note!** Hook the backplate over the top screws and fit the lower fixing screw into position. **DO NOT** fully tighten the screws at this stage, as the fixing holes are elongated to allow for out of square adjustment after the plumbing connections have been completed.



Remove the Cover



Mark the mounting holes



**PLUMBING CONNECTIONS**

**COMPLETE THIS PROCESS BEFORE WIRING CONNECTION**

**CONNECTION PROCEDURE:**

Connect the water supply to the inlet of the shower via 15mm copper, stainless steel or plastic pipe using a 15mm x 15mm elbow compression fitting. Do not use excessive force when making these connections.

**FITTING THE STOP VALVE**

Fit the Stop valve (Warning: Conductive Valve shall not be used) by secure to the unit Inlet.

**Note:**

It is compulsory to have the product installed with stop valve (with filter) provided, failing which, dirt particles may cause failure of flow switch assembly.

Ensure the supplied washers are in place before connecting inlet and the Stop Valve.

Fit the other point of Stop Valve to the incoming water supply.

Ensure that the backplate of the unit is flat on the wall and positioned squarely. Tighten the fixing screws.

Turn on the water supply and check for leaks in the pipework connection to the shower.

**NOTE:** At this stage no electricity can flow through the unit.

**ELECTRICAL CONNECTION**

**WARNING: THIS UNIT MUST BE EARTHED.**

SWITCH OFF THE ELECTRICITY SUPPLY.

The cable entry points are shown in the figure below. Determine the cable entry to the unit.

- a) Side entry – Poke the electrical cable through the Rubber grommet.
- b) Rear entry - Make a hole in the rear wire entry point with a tool, and pass the electric cable through the rubber grommet.

Route the cable into the shower unit and connect to the terminal block (Fig. 1) as follows:-

- Earth cable to terminal marked '⊕'
- Neutral cable to terminal marked 'N'
- Live cable to terminal marked 'L'

**IMPORTANT: Fully tighten the terminal block screws and ensure that no cable insulation is trapped under the screws. Loose connections can result in cabling overheating. DO NOT switch on the electricity supply until the cover has been fitted.**

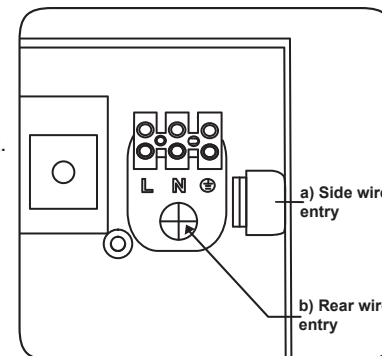
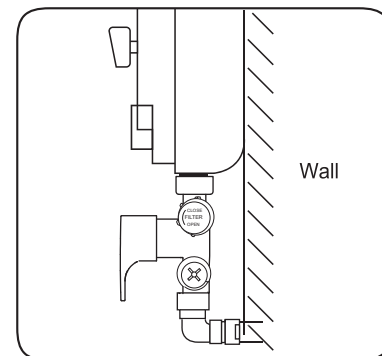
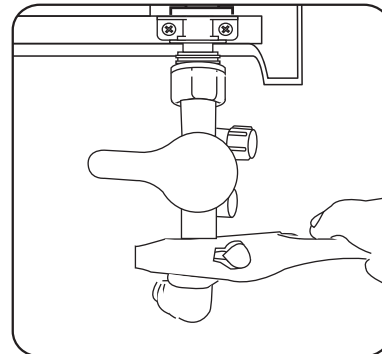
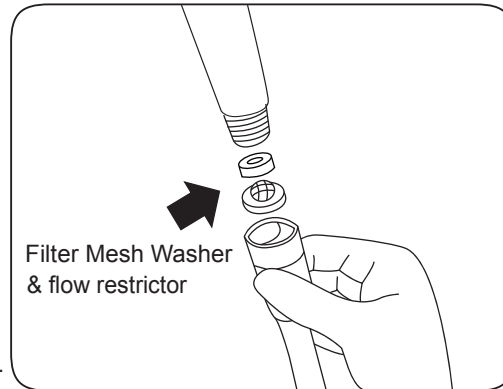


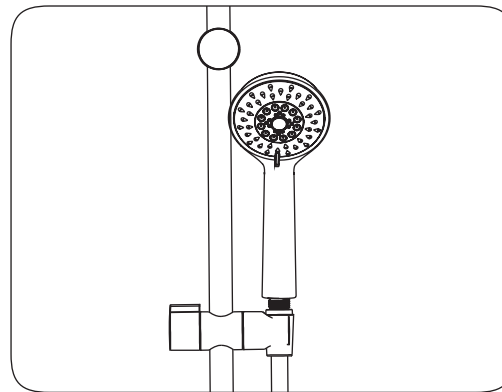
Fig. 1

### FITTING THE HOSE AND SPRAY HEAD

Fit the Flexible hose (Warning: Metallic / Chromed Hose shall not be used) by connecting to the unit Outlet (Left side) and hand shower. (Please, make sure to remove one washer from the end of the flexible hose connecting to the hand shower.) Hence, ensure that the supplied washer is in place at the outlet while, filter mesh and Flow Restrictor are secured at the hand shower.

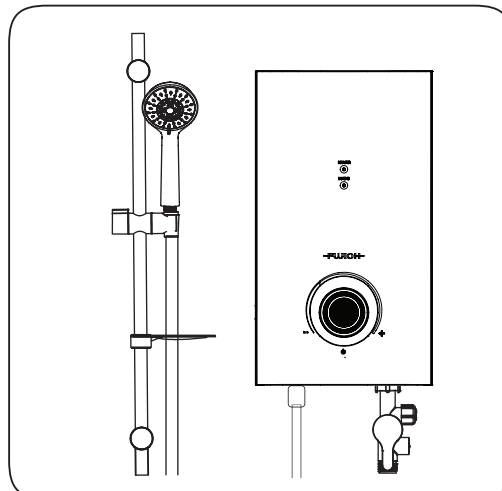


Place the hand shower into the holder and check that it fits correctly.



### Important:

It is the conical end of the hose which grips into the holder. The hand shower will not fit in the holder without the hose attached.



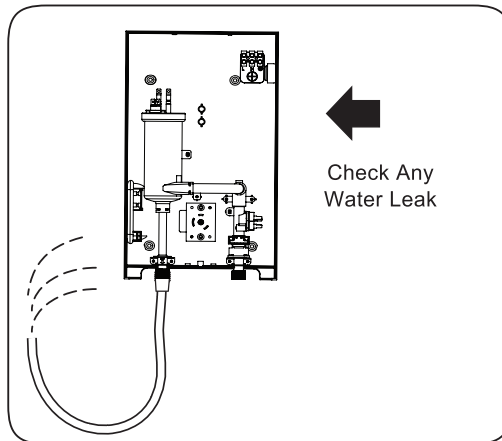
**DO NOT switch on the electricity supply until the following procedure has been completed and the cover has been fitted.**

The first operation of the shower is intended to flush out any remaining unit dirt particles, and to ensure the heater unit contains water before the elements are switched on.

This operation must be carried out with the flexible hose screwed to the outlet but without the sprayhead attached. Ensure the outlet of the flexible hose is directed to waste.

Turn ON the main water supply. Check if any water leaks from the pipe line.

Secure the cover in position with screws. **DO NOT OVERTIGHTEN.**



**TESTING TEMPERATURE SETTING**

Switch on the main electric supply to the shower at the isolating switch.

The 'MAINS' Sign will light meaning the unit is ON.

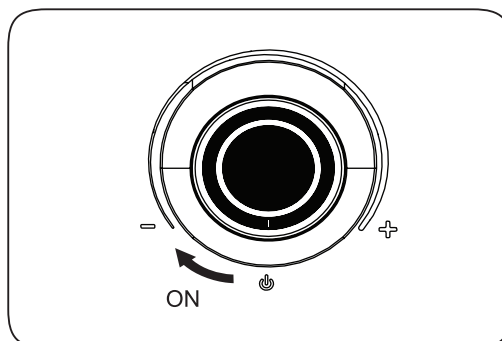
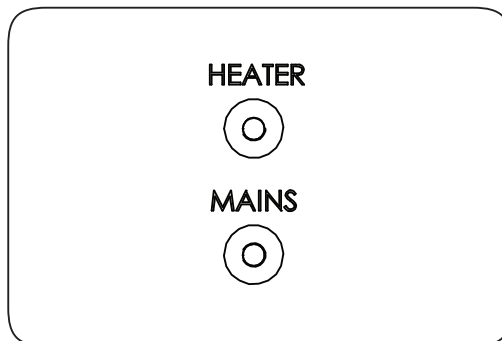
Turn the knob clockwise to = sign, the 'HEATER' Sign will light up.

Turn the knob anti-clockwise to ⏻; the 'HEATER' Sign will switch OFF.

Continual turn of the knob clockwise, the temperature of the water should rise slightly.

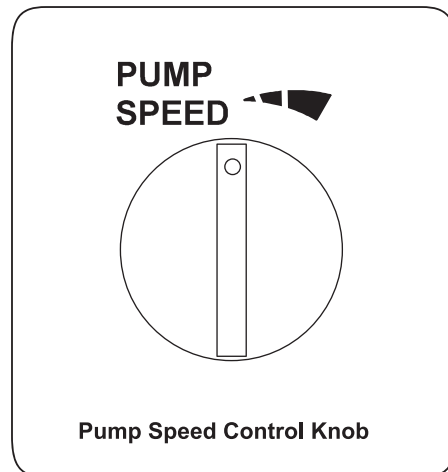
Allow a few seconds for the warm water to reach the handshower, this shows that the power setting is operating correctly.

Set the shower temperature by rotating the Knob as necessary. Turn the knob clockwise for hotter water and anticlockwise to = sign for cooler water.





Turn ON the Pump Speed Control Knob at the bottom left of the heater to test run the pump. If the Shower is not hot enough, adjust the speed knob slower to reduce speed in order to get the desired temperature. **(For DC Pump Model Only)**

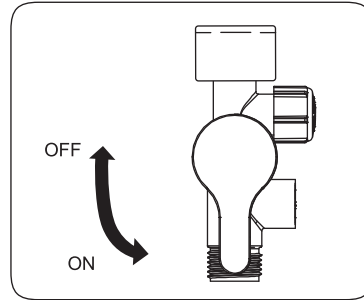


**Important:** Ensure the commissioning procedure has been carried out.

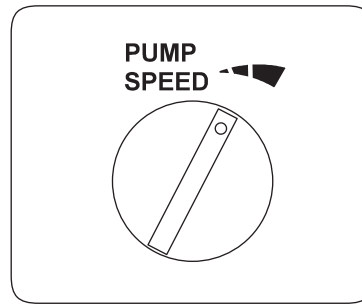
To start the shower, turn the stop valve handle anti-clockwise to allow water to flow through the unit.

To stop the shower, turn the stop valve handle clockwise back to the position as shown in the figure.

**CAUTION: Do Not Test the Stop Valve under dry condition.**



The built-in Pump can be independently controlled by using the Pump Speed Control Knob. In low pressure areas (below 15 p.s.i.) adjust pump speed to obtain desired spray of water. If water pressure is high (over 15 p.s.i) turn 'OFF' the Pump Speed Control Knob in order to achieve hotter shower. **Note: It is recommended that the pump should be operated at intervals of 30 minutes with 30 minutes rest.**

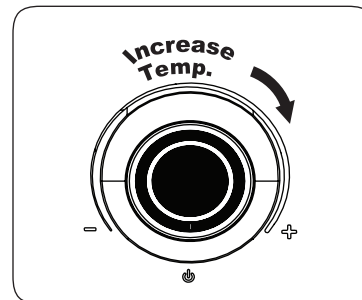


### To adjust the shower temperature

The shower temperature is altered by increasing or decreasing the Power Control via the Control knob.

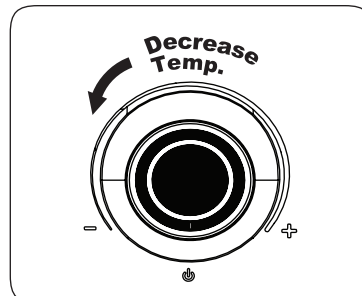
### To increase the shower temperature

Turn the Control Knob clockwise towards the + sign; this will increase the water temperature.



### To decrease the shower temperature

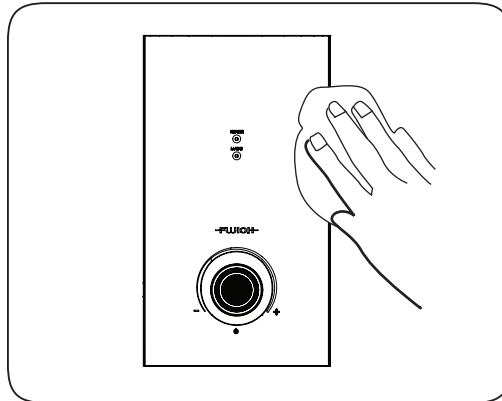
Turn the Control Knob anti-clockwise towards the - sign; this will decrease the water temperature.



**CAUTION: Be certain the showering temperature is satisfactory by testing with your hand before stepping under the sprayhead. There will be always a time delay of 10 to 15 seconds between selecting a flow rate and the water reaching the stable temperature for that flow rate. It is recommended that persons who may have difficulty understanding or operating the shower controls should not be left unattended whilst showering. Special consideration should be given to young children and the less able bodied.**

**CLEANING****NOTE: Do Not Use Thinner, Alcohol or Petrol**

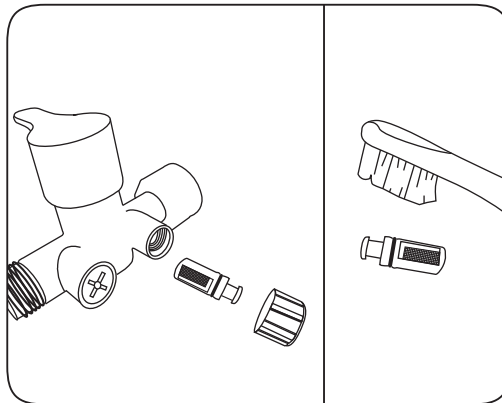
Many household cleaners contain abrasives and chemical substances, and should not be used for cleaning plated or plastic fittings. These finishes should be cleaned with a mild washing up detergent or soap solution, and then wiped dry using a soft cloth.

**FILTER MAINTENANCE**

It is recommended that the filter is periodically cleaned in order to maintain the performance of the shower.

Remove the filter head from the stop valve. Remove the Filter Net and clean it using soft brush then wash it under running water. Ensure all dirt particles are removed.

Fit it back after washing the filter.

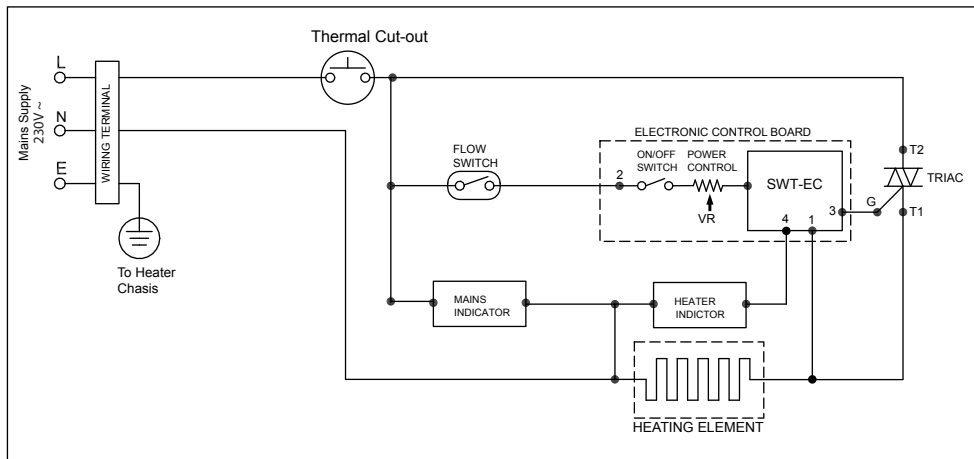


| <b>Fault / Symptom</b>                                       | <b>Cause</b>   | <b>Remedy</b>   |
|--|--|---|
| 1. No shower coming out from the heater.                     | 1.1 Interrupted Water Supply                         | Check whether the water supply is available.  |
|  | 1.2 Incoming water supply stop valves is turned off. | Turn on stop valve.   |
|  | 1.3 Dirt particles blocking inlet / outlet hole      | Blocked sprayhead - clean or replace sprayhead.<br>Blocked filter – see 'filter maintenance'.                             |
| 2. Heater not functioning                                    | 2.1 Interrupted Power Supply                         | Check if a main power cut. Check other appliances and if necessary, contact the local Electricity Supply Company.         |
|  | 2.2 Insufficient water supply to trigger flow switch | Heater requires minimum 2 litres/min water flow rate.   |
|  | 2.3 Thermal Cut-Out has operated                     | Have the shower unit checked by a competent electrician or contact Customer Service.                                      |
|  | 2.4 Malfunctioning on Flow Switch                    |   |
|  | 2.5 Electrical malfunction                           |   |
| 3. Water too hot   | 3.1 Not enough water flowing through the Unit.       | Blocked sprayhead - clean or replace sprayhead. Blocked filter – see 'filter maintenance'.                                |
|  | 3.2 Increase in ambient water temperature.           | Switch to lower power setting and readjust flow rate to give the required temperature.                                    |
| 4. Water is not hot enough                                   | 4.1 Too much water flow.                             | Reduce the flow rate by Pump Speed knob   |
|  | 4.2 Decrease in ambient water temperature            | Switch to higher power setting and adjust the Pump speed knob to reduce speed in order to get on the desired temperature. |
|  | 4.3 Electrical malfunction.                          | Have the shower unit checked by a competent electrician or contact Customer Service.                                      |
| 5. Water supply turn off but the indicator light is still ON | 5.1 Flow Switch malfunction                          | Have the shower unit checked by a competent electrician or contact Customer Service.                                      |
|  | 5.2 Faulty Triac                                     |   |
| 6. Motor tone increases                                      | 6.1 Interrupted Water Supply                         | See 1.1 and 3.1   |
|  | 6.2 Faulty Pump Unit                                 | Wait for internal pump to cool down. If still faulty contact Customer Service.  |

|   |                                     |
|---|-------------------------------------|
| <b>Model Electrical Rating</b>          | – Available in 3.3kW, 230V AC, 50Hz |
| <b>Minimum Water Flow Rate</b>          | – 2 liters/min                      |
| <b>Maximum Water Pressure</b>           | – 380 kPa (55 psi)                  |
| <b>Minimum Water Pressure</b>           | – 20 kPa (2.9 psi)                  |
| <b>Shower Temperature Control</b>       | – Electronic Control                |
| <b>Water Connection</b>                 | – 15mm dia. (1/2" BSP)              |
| <b>Dimension</b>                        | – 390mm x 220mm x 89mm              |
| <b>Gross Weight (Normal Shower Set)</b> | – 2.60 kg                           |
| <b>Net Weight (Normal Shower Set)</b>   | – 1.30 kg                           |
| <b>Gross Weight (Rain shower)</b>       | – 4.50 kg                           |
| <b>Net Weight (Rain shower)</b>         | – 1.30 kg                           |

Schematic Wiring Diagram

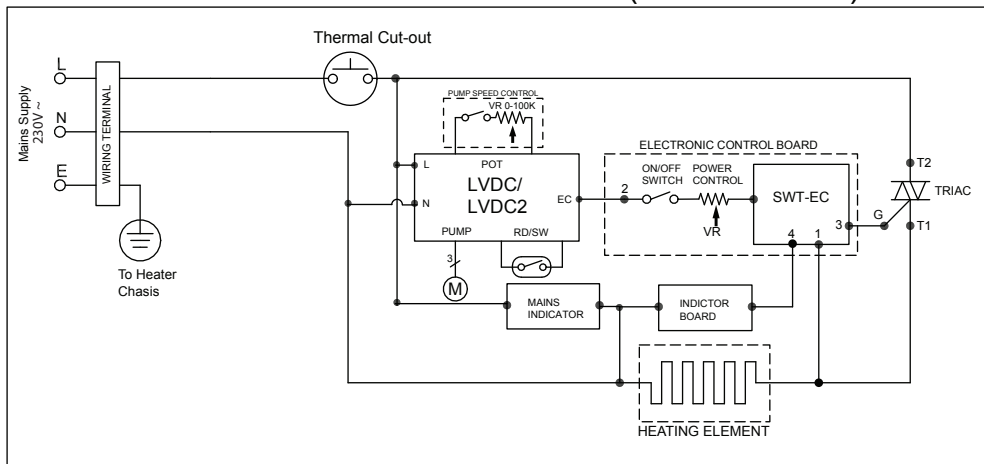
SCHEMATIC WIRING DIAGRAM (FZ-WH5033N)



|   |                                     |
|---|-------------------------------------|
| <b>Model Electrical Rating</b>          | – Available in 3.3kW, 230V AC, 50Hz |
| <b>Minimum Water Flow Rate</b>          | – 2 liters/min                      |
| <b>Maximum Water Pressure</b>           | – 380 kPa (55 psi)                  |
| <b>Minimum Water Pressure</b>           | – 20 kPa (2.9 psi)                  |
| <b>Shower Temperature Control</b>       | – Electronic Control                |
| <b>Water Connection</b>                 | – 15mm dia. (1/2" BSP)              |
| <b>Dimension</b>                        | – 390mm x 220mm x 89mm              |
| <b>Gross Weight (Normal Shower Set)</b> | – 2.90 kg                           |
| <b>Net Weight (Normal Shower Set)</b>   | – 1.60 kg                           |
| <b>Gross Weight (Rain shower)</b>       | – 4.80 kg                           |
| <b>Net Weight (Rain shower)</b>         | – 1.60 kg                           |

Schematic Wiring Diagram

SCHEMATIC WIRING DIAGRAM (FZ-WH5033D)



Rev B 01.12.2019

Global Website

[www.fujioh.com](http://www.fujioh.com)

**FUJIOH INTERNATIONAL TRADING PTE. LTD.**

Southeast Asia Regional Headquarters

130 Joo Seng Road #05-05 Singapore 368357

Tel :+65 6286 3286 Fax :+65 6285 3285

E-mail : [fit@fujioh.com.sg](mailto:fit@fujioh.com.sg)