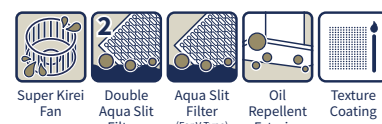


# HOOD/ FR-FS2290



## The Avant-Garde

シンプルさの中に、少しの個性を。

Evolving with new look by professional designers and newly developed hood structure by Japanese engineers, the new slim hood is ready to take on the storm in your kitchen.

Incorporating our eminent Super Kirei sirocco fan and double Aqua Slit Filters, expect high oil capturing ratio with more oil captured, quieter cooking environment and easy maintenance. Slim design yet strong performance with 7 colours choices. Life is full of choices. What is yours?





## The Simplicity



**XBK/** Texture Black



**XW/** Texture White



**SM/** Silver Metallic



**RS/** Rich Silver

## The Avant-Garde



**XBKSM/** Texture Black & Silver Metallic



**XWSM/** Texture White & Silver Metallic



**SMRS/** Silver Metallic & Rich Silver

## ADVANCED FUNCTIONS

### 01/ Slim Design with 7 Color Variations

- Slim design at 150mm height
- 4 choices of solid color and 3 choices of two tones combination



### 02/ Super Kirei Fan

- Eliminates the accumulation of oil and stain buildup on fan
- Repels and induces oil from cooking fumes to accumulate in oil tray
- Keeps fan and internal body of cooker hood clean for longer time
- Quieter performance with sirocco fan



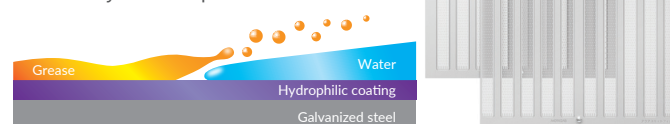
### 03/ Improved Structural Design

- High oil capturing ratio up to 92%
- Seamless oil panel for easy cleaning
- Low noise level



### 04/ Double\* Aqua Slit Filters

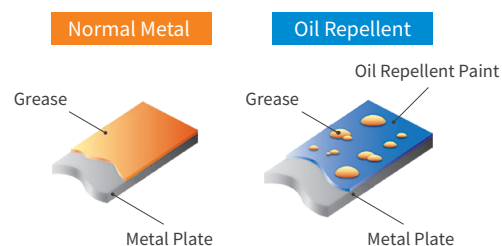
- Hydrophilic coating
- Easy to wash with only water
- Double layers to capture more oil



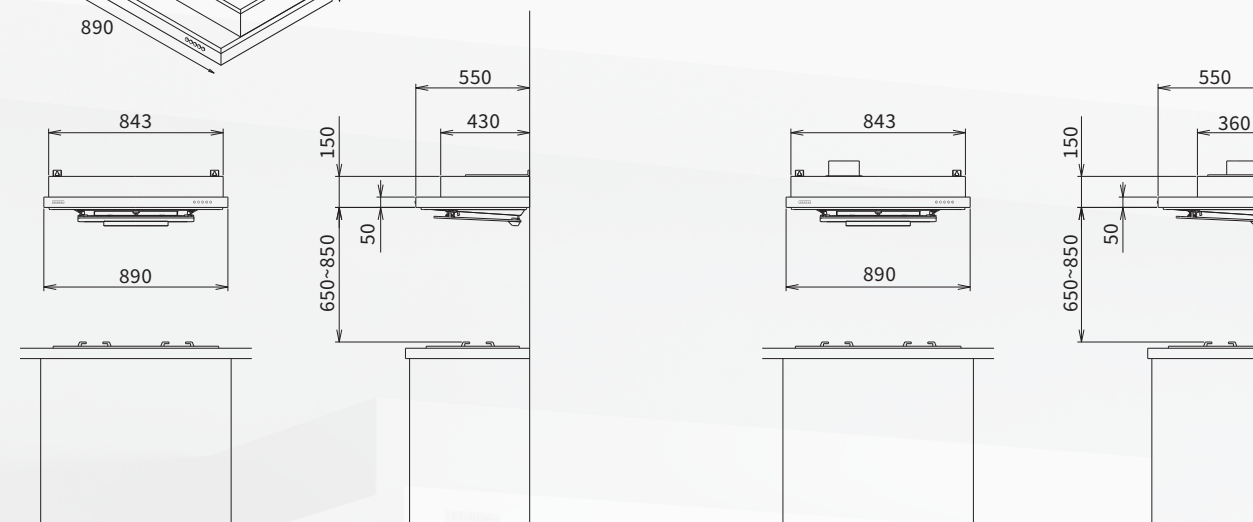
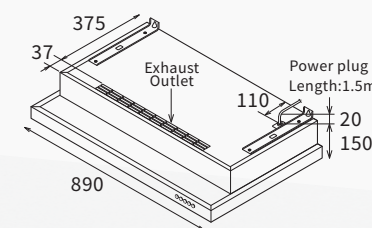
\*Double layers for Recycling R type model and single filter for Ventilating V type model

### 05/ Oil Repellent Paint

- Oil repellent paint is processed on all surfaces
- Easy to wipe and clean grease off hood surface



## INSTALLATIONS



FR-FS2290RP (Recycling) [mm]

FR-FS2290VP (Ventilating) [mm]

\*Exhaust outlet cannot be covered.

## SPECIFICATIONS

Type	FR-FS2290RP ( <b>RECYCLING</b> )	FR-FS2290VP ( <b>VENTILATING</b> )
Dimensions [mm]	W890 x D550 x H150 <i>(For recycling model, please allow another 20mm height for power cable extension above the hood)</i>	
Weight [kg]	18	17
Power Consumption [W] (220/230/240V)	90/95/100	105/110/115
Voltage [V/Hz]	220, 230, 240/50	
Duct Diameter [mm]	-	Φ150
Air Flow [m <sup>3</sup> /h] (220/230/240V)	395/400/405	545/555/565
Sound Level [dB] (220/230/240V)	53/53/53	50/51/52
Oil Capturing Ratio [%]	92	88
Switch	Mechanical Push Button	
Speed	3 Speeds	
Hood Body	Oil Repellent Paint	
Fan	Super Kirei Coating	
Rectifier Panel	Oil Repellent Paint	
Filter	Double Aqua Slit Filters	Aqua Slit Filter
Lighting	LED 3.5W x 1	

\*All specification are based on stringent in-house test results conducted in Fuji Industrial Co. Ltd, Japan