

COMBI STEAM OVEN FV-ML71



Steam & Bake. Enjoy The Versatility In One.

スチームもグリルも、この一台で。

Cook anything your heart desires, effortlessly. With the FV-ML71's large capacity, you could be the very best chef, right in your own home. It comes with steam and grill multifunction, making it easy to steam, bake, roast, grill and more.

Its black glass panel and handle with refined lines are part of its sleek finishing that blends in seamlessly with a variety of kitchen elements, bringing out the best in all kitchen features and designs. Sophisticated in design and strong in performance, it is the standout addition to any modern kitchen.



ADVANCED FUNCTIONS

01/ Steam & Grill Functions with Auto Cook Menus



Versatile cooking with 32 auto cook menus and 10 cooking functions

02/ Durable Stainless Steel Seamless Cavity



Ease of maintenance with 45L cavity capacity made of SUS304 stainless steel

03/ Easy Water Withdrawal



Convenient handling with 1.2L water tank for bigger cooking volume

COLORS



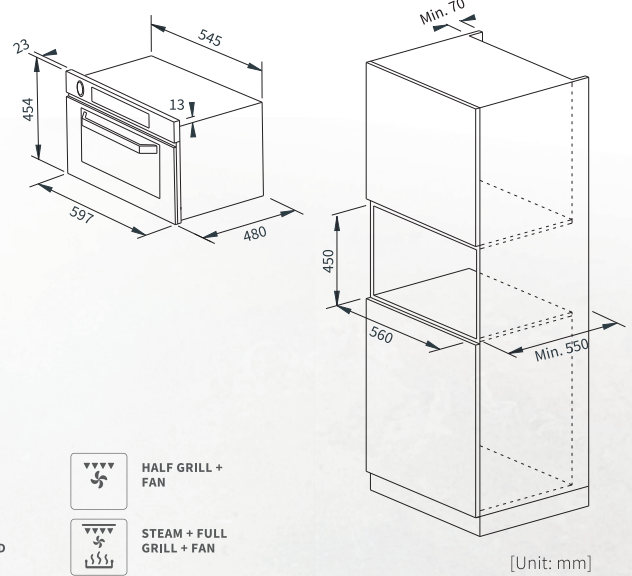
FV-ML71

Product images are for illustrative purposes only and may differ from the actual product.

ACCESSORIES



INSTALLATIONS



FUNCTIONS



FAN FORCED HEATING



FULL GRILL + FAN



FULL GRILL



HALF GRILL



HALF GRILL + FAN



HALF GRILL + FAN FORCED HEATING



DEFROST



TOP HEAT



STEAM + FAN FORCED HEATING



STEAM + FULL GRILL + FAN

SPECIFICATIONS

Model Name	FV-ML71	
Type	Multifunctional Steam Oven	
Installation Type	Built-in	
Oven Capacity [L]	45	
Gross Dimensions [mm]	W597 x D480 x H454	
Cutout Dimensions [mm]	W560 x D550 x H450	
Weight [kg]	28	
Voltage [V/Hz]	220-240/50-60	
Ampere required [A] (Base on 230V)	13	
Power [W]	Steam	1500
	Grill	1200
	Rated Power Consumption	2200
Temperature Range [°C]	Steam	35-110
	Grill	35-250
Function	Steam Menu	32
	Grill Menu	10
Color	Black	
Cavity Material	Stainless Steel SUS304	
Front Panel Material	Toughened Glass	
Type of Control	Touch Control	
Display	TFT Color Display	
Child Safety Lock	Yes	
Wifi Connection	Yes	
Water Supply	Built-in Push Lock Type	
Water Tank Capacity [ml]	1200	
Accessories	Baking Tray 3 units, Water Jug, Sponge, Baking Accessories Set	

