

INDUCTION HOB/ FH-ID5228

Refined Power, Seamlessly Integrated
暮らしに溶け込む、機能美。

Meet FUJIOH's newest induction hob, ID5228 — crafted for modern kitchens that value clean lines, effortless control, and dependable performance.

This model features SCHOTT CERAN® ceramic glass with a bevelled edge for a sleek, premium finish that's easy to maintain. Enjoy intuitive touch control, 9 power levels, Boost on all zones, and a 1–99 minute timer, with everyday confidence from built-in safety protection.



1 INDUCTION HOB
LIMITED WARRANTY*
YEAR



ADVANCED FUNCTIONS

01/ SCHOTT CERAN® Glass



Ceramic glass for easy care and durability

02/ Boost Mode



Accelerated maximum power for quick cooking

03/ Flex Zone

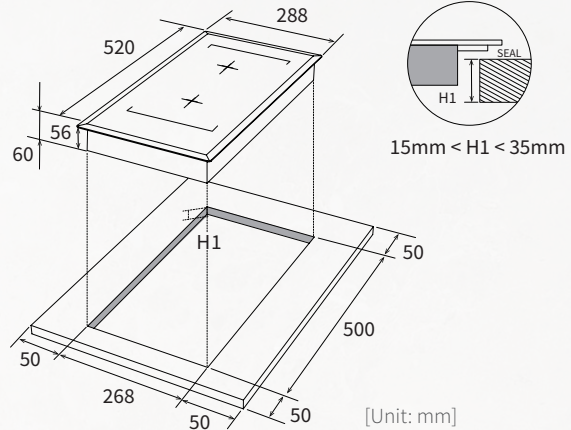


Cook with a variety of pan sizes

MODEL



INSTALLATION



Product images are for illustrative purposes and may differ from the actual product

SPECIFICATIONS

Model	FH-ID5228	
Dimensions [mm]	W288 x D520 x H60	
Cut-out Size [mm]	W268 x D500	
Weight [kg]	NW 4.1 , GW5.0	
Voltage [V/Hz]	220, 230, 240/50, 60	
Power [kW]	Individual	Front: 2.0 (Boost 2.3) Rear: 1.5 (Boost 1.8)
	Flex Zone	2.5 (Boost 2.8)
	Total	3.5
Ampere RZrequired [A] (Based on	15	
Zone Size [mm]	Front: 180 Rear: 180	
Boost	Yes	
Switch	Touch Switch	
Timer	99 mins	
Power Setting	9	
Child Safety Lock	Yes	
Residual Heat Indicator	Yes	
Auto Switch Off	Yes	
Pan Sensor	Yes	
Material	SCHOTT CERAN® Ceramic Glass	
Color	Black	

