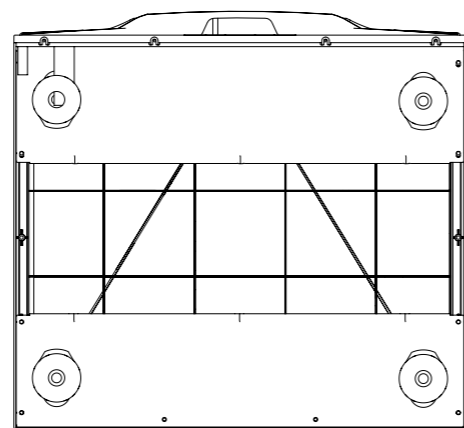


機外の電線長度3m



| Mark | Revised record | Date |
|------|----------------|------|
| △ | | |

| | | | |
|-----------------|--------------|-------------------------|------------|
| FZ-DR3160 | | | |
| Model | Product code | Color | Note |
| Created date | 22/01/2024 | Product category | Dish Dryer |
| Updated date | | Model | FZ-DR3160 |
| -FUJIOH- | Scale 1/10 | Product outline drawing | |